

US00D698667S

(12) **United States Design Patent**  
**Snedden et al.**

(10) **Patent No.:** **US D698,667 S**

(45) **Date of Patent:** **\*\* Feb. 4, 2014**

(54) **FIVE COMPARTMENT CONTAINER UNIT ASSEMBLY**

(71) Applicant: **Direct Pack, Inc.**, Sun Valley, CA (US)

(72) Inventors: **Craig R. Snedden**, Culver City, CA (US); **Gandhi B. Sifuentes**, West Covina, CA (US); **Cesar E. Ramirez**, Hacienda Heights, CA (US)

(73) Assignee: **Direct Pack, Inc.**, Sun Valley, CA (US)

(\*\*) Term: **14 Years**

(21) Appl. No.: **29/449,762**

(22) Filed: **Mar. 15, 2013**

(51) **LOC (10) Cl.** ..... **09-03**

(52) **U.S. Cl.**  
USPC ..... **D9/761**; D9/425; D9/431

(58) **Field of Classification Search**  
USPC ..... D9/414, 419, 424, 425, 430, 431, 432, D9/435, 761; D7/538, 549, 550.1, D7/601-603, 605, 629; 229/105, 117.09, 229/117.26, 189, 406, 407, 902, 905, 229/915.1; 220/23.4, 23.6, 266, 281, 315, 220/318, 500, 659, 669, 674, 675, 696, 752, 220/760, 790, 793, DIG. 12, FOR. 117; 206/508, 557, 499

See application file for complete search history.

(56) **References Cited**

**U.S. PATENT DOCUMENTS**

3,070,275	A	*	12/1962	Bostrom	.....	229/4.5
D292,887	S	*	11/1987	Schouten	.....	D9/424
4,807,776	A	*	2/1989	Cortopassi	.....	220/23.83
D444,058	S	*	6/2001	Hampshire et al.	.....	D9/761
D513,979	S	*	1/2006	Snedden et al.	.....	D9/425
D514,931	S	*	2/2006	Snedden et al.	.....	D9/425
D517,405	S	*	3/2006	Snedden et al.	.....	D9/425

D551,091	S	*	9/2007	Shahsavarani	.....	D9/761
D597,379	S	*	8/2009	Changpan	.....	D7/542
D607,284	S	*	1/2010	Ho	.....	D7/629
D628,478	S	*	12/2010	Snedden et al.	.....	D9/431
D628,479	S	*	12/2010	Snedden et al.	.....	D9/431
D632,170	S	*	2/2011	Lawrence et al.	.....	D9/425
D640,129	S	*	6/2011	Sifuentes et al.	.....	D9/425
D640,544	S	*	6/2011	Sifuentes et al.	.....	D9/425
D642,484	S	*	8/2011	Birchmeier et al.	.....	D9/760
D642,937	S	*	8/2011	Birchmeier et al.	.....	D9/760
D646,969	S	*	10/2011	Snedden et al.	.....	D9/431
D646,984	S	*	10/2011	Moore et al.	.....	D9/737
D660,147	S	*	5/2012	Snedden et al.	.....	D9/435
D665,663	S	*	8/2012	Krupa	.....	D9/428
D688,126	S	*	8/2013	Snedden et al.	.....	D9/435
D688,941	S	*	9/2013	Sifuentes et al.	.....	D9/432

\* cited by examiner

*Primary Examiner* — Mark Goodwin

(74) *Attorney, Agent, or Firm* — Frost Brown Todd LLC

(57) **CLAIM**

The ornamental design for a five compartment container unit assembly, as shown and described.

**DESCRIPTION**

FIG. 1 is a top perspective exploded view of a five compartment container unit assembly revealing the top side of the lid and the inside of the compartments, showing our new design; FIG. 2 is a bottom perspective view thereof revealing the bottom side of the lid and the bottom side of the compartments;

FIG. 3 is a left elevational view thereof;

FIG. 4 is a right elevational view thereof;

FIG. 5 is a front elevational view thereof;

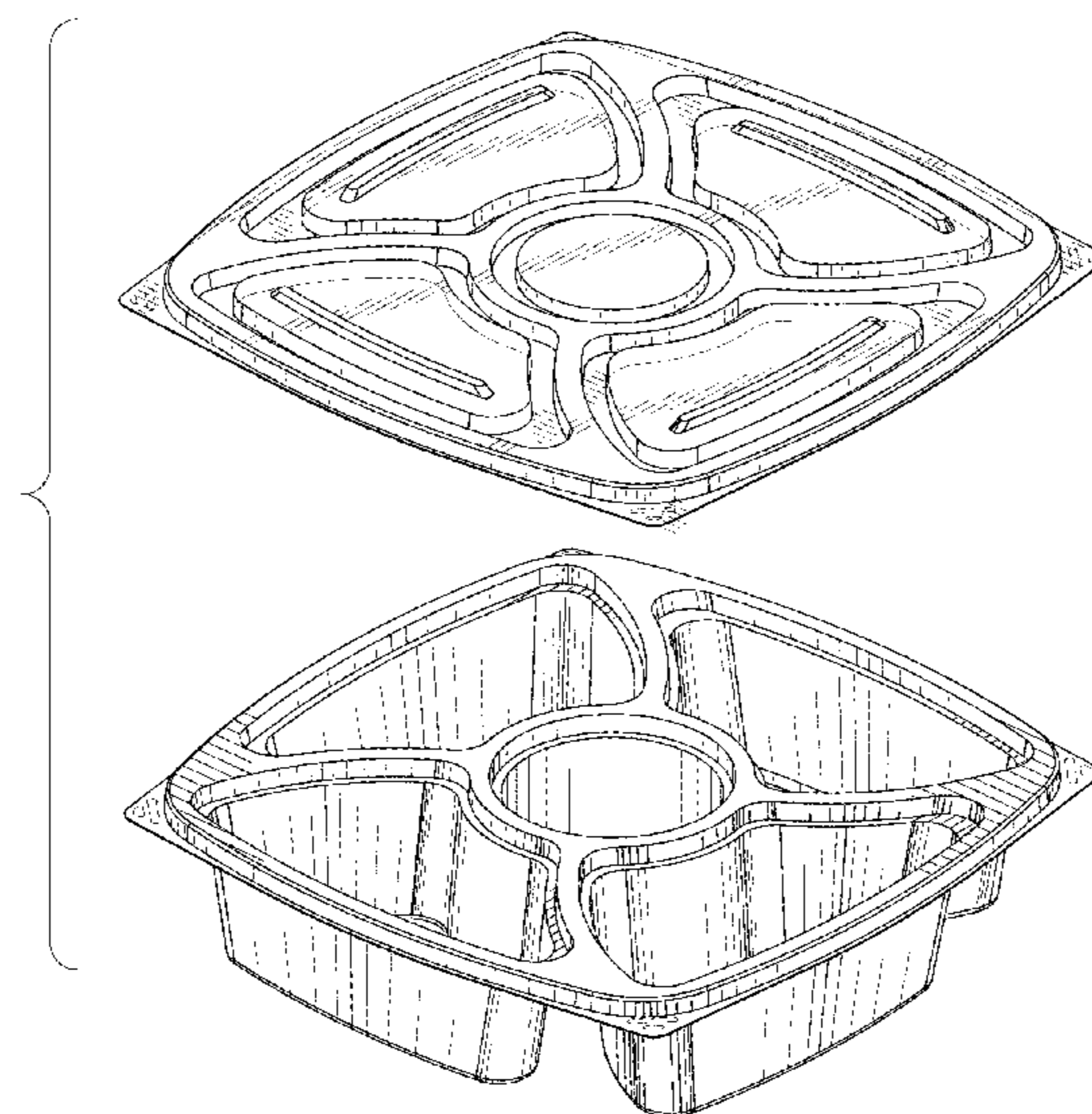
FIG. 6 is a back elevational view thereof;

FIG. 7 is a top plan view thereof; and,

FIG. 8 is a bottom plan view thereof.

The container portions shown in broken lines are unclaimed environment and do not form a part of the claimed design.

**1 Claim, 8 Drawing Sheets**



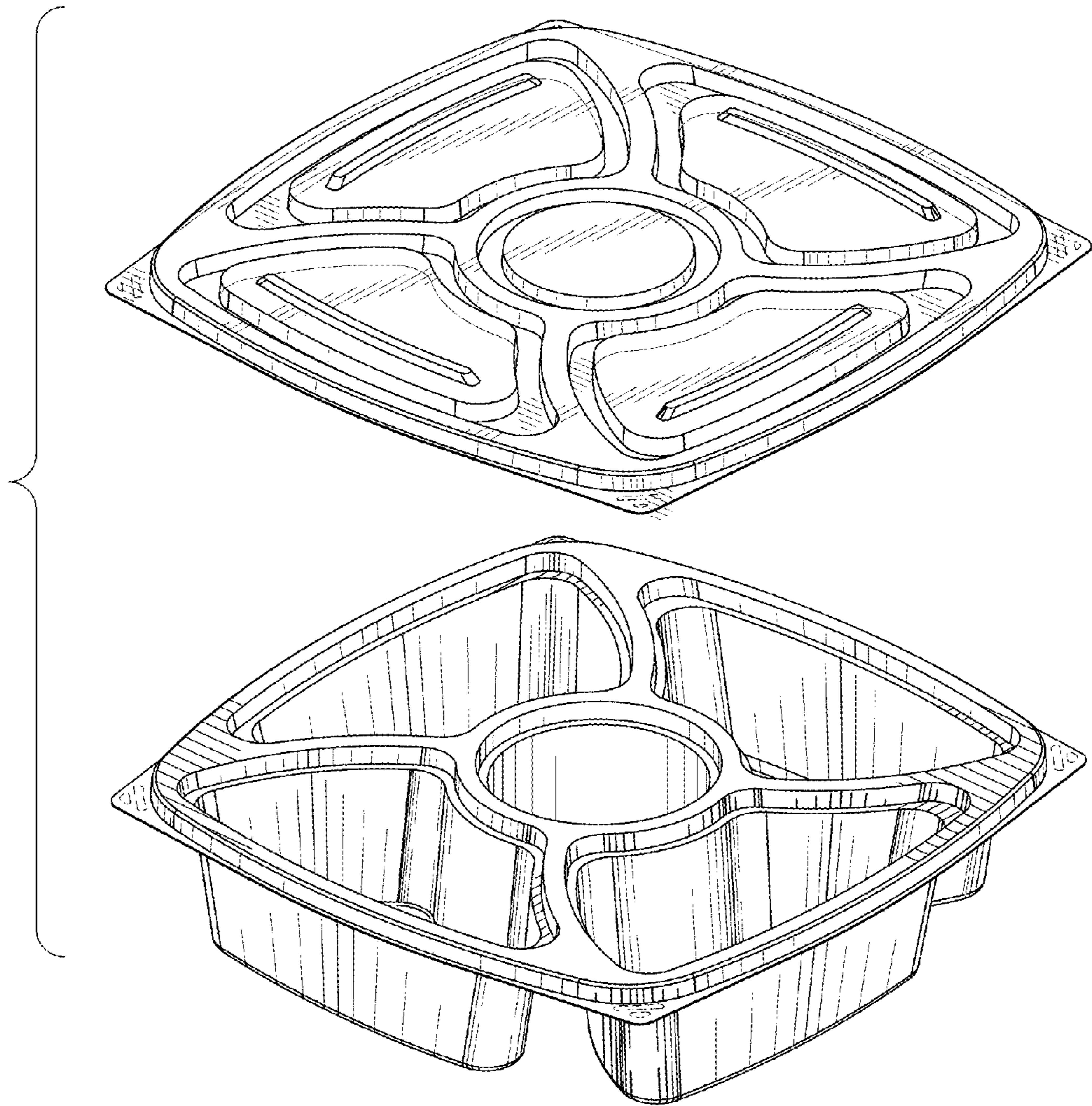


Fig. 1

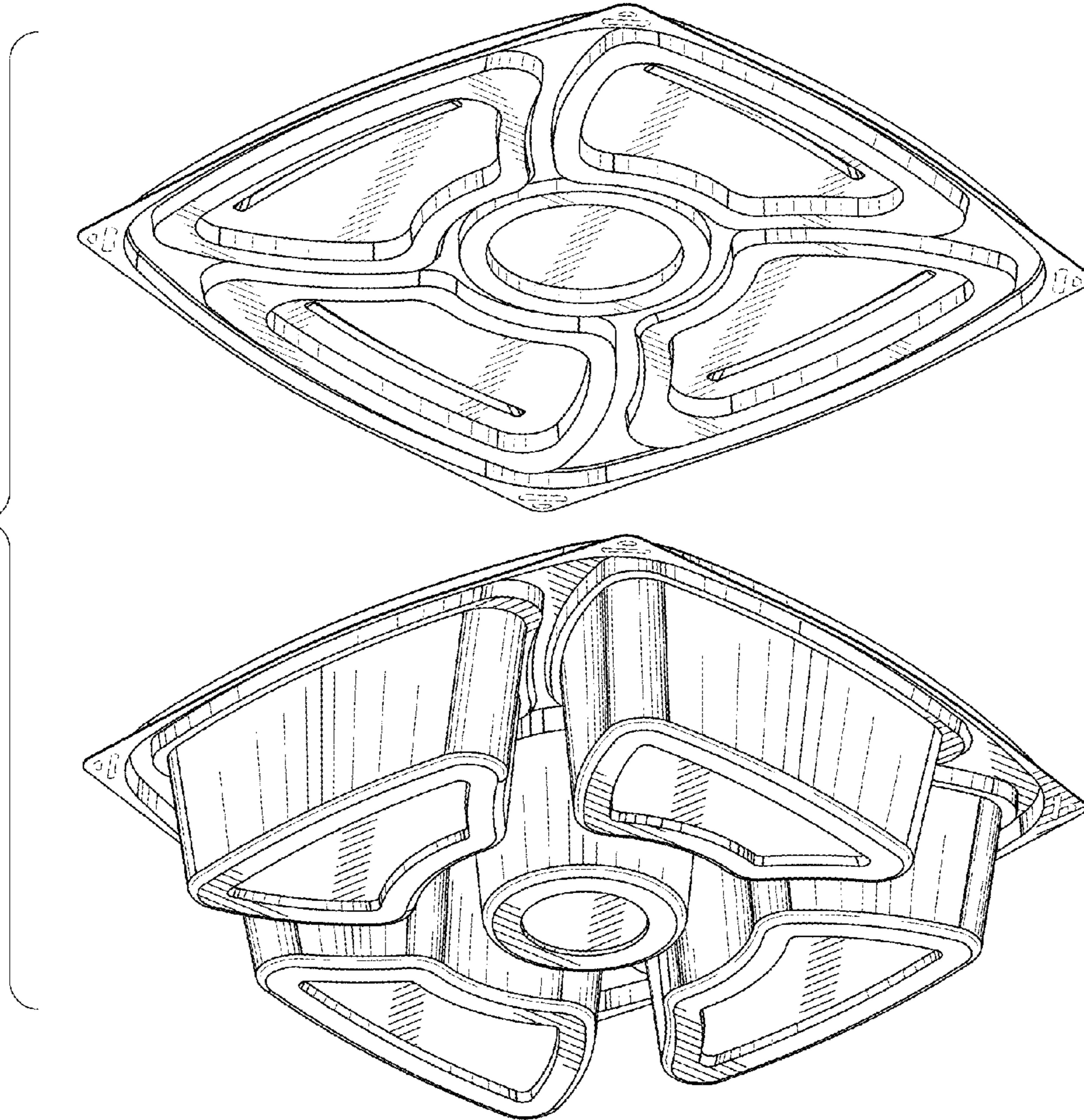


Fig.2

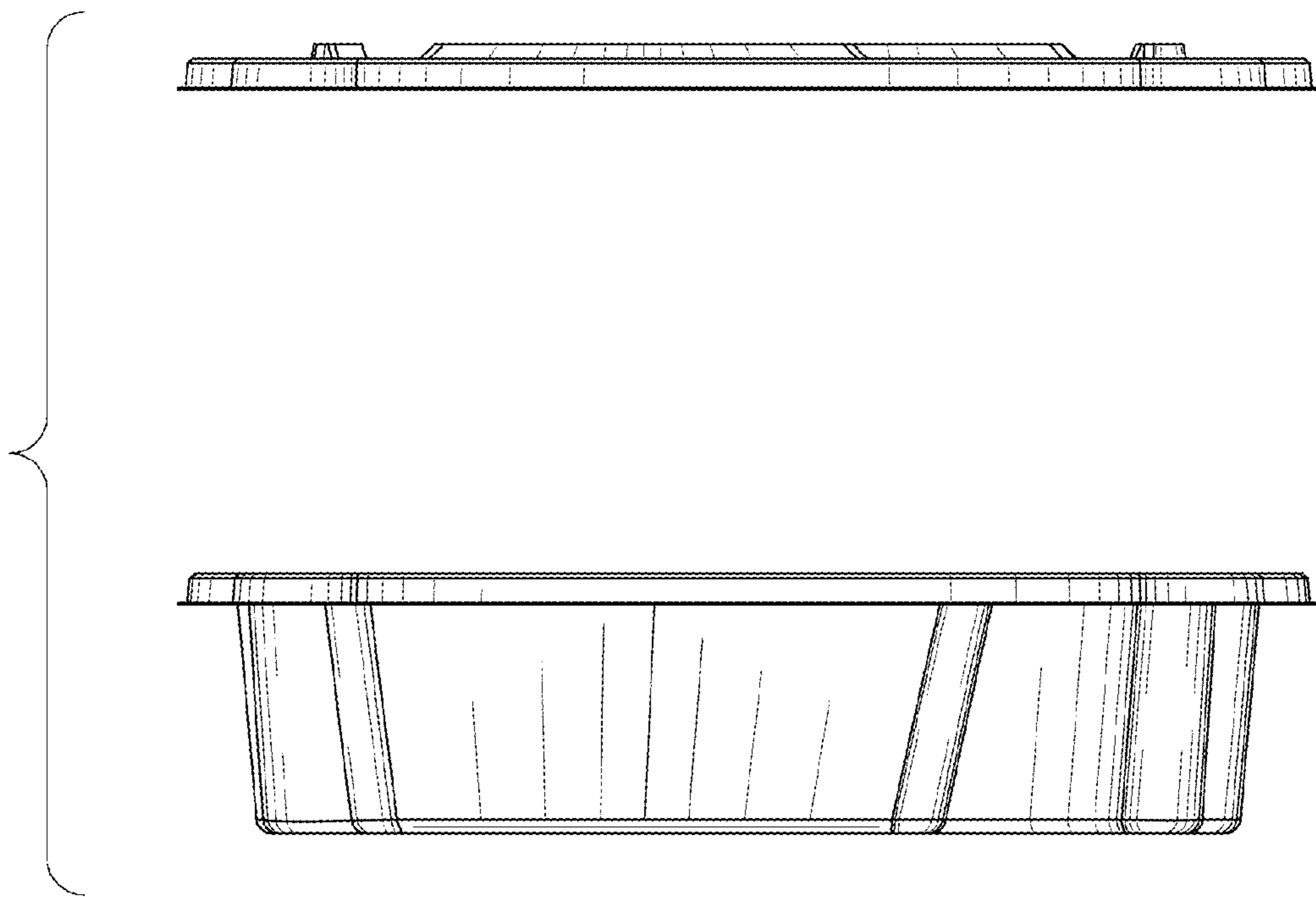


Fig.3

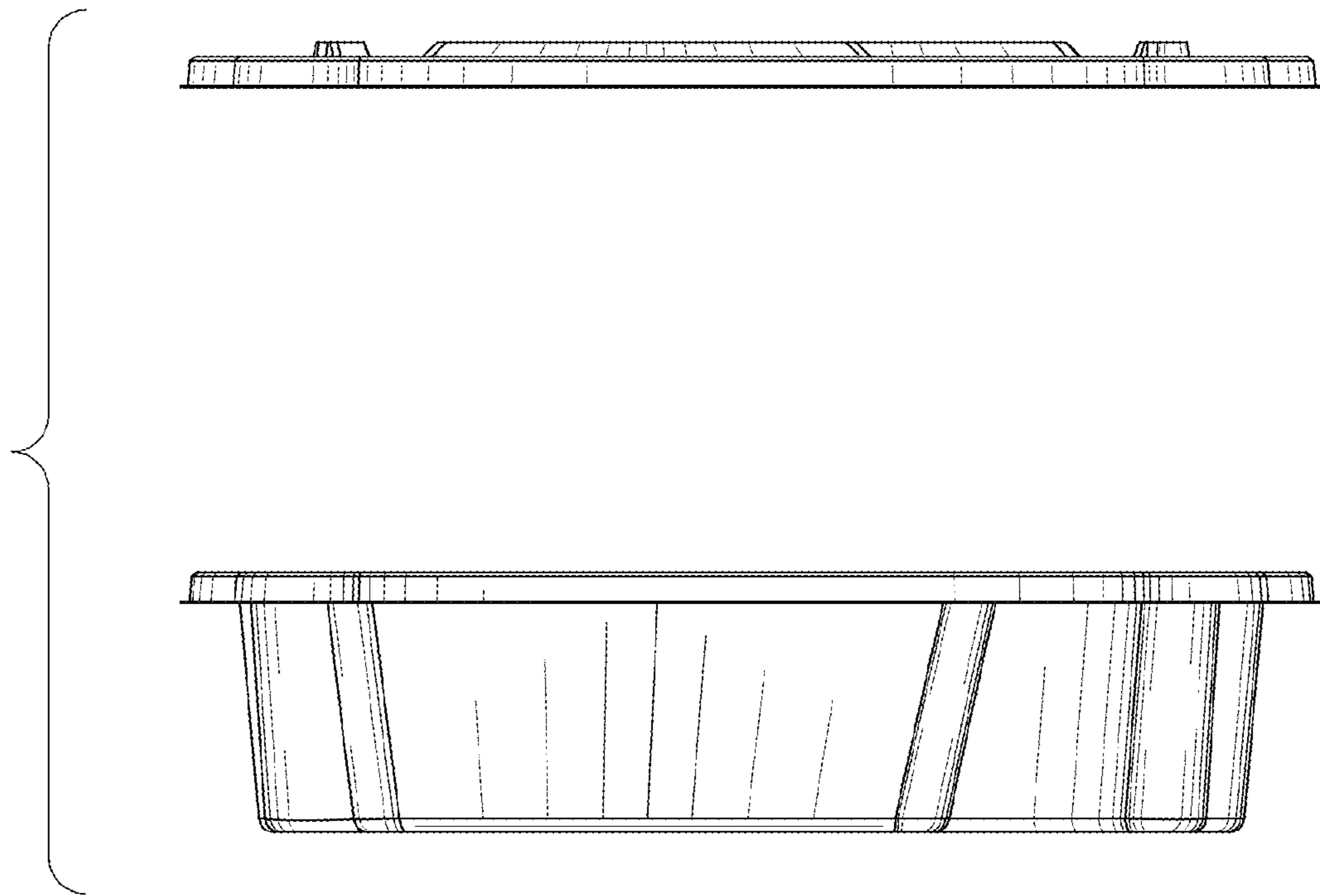


Fig.4

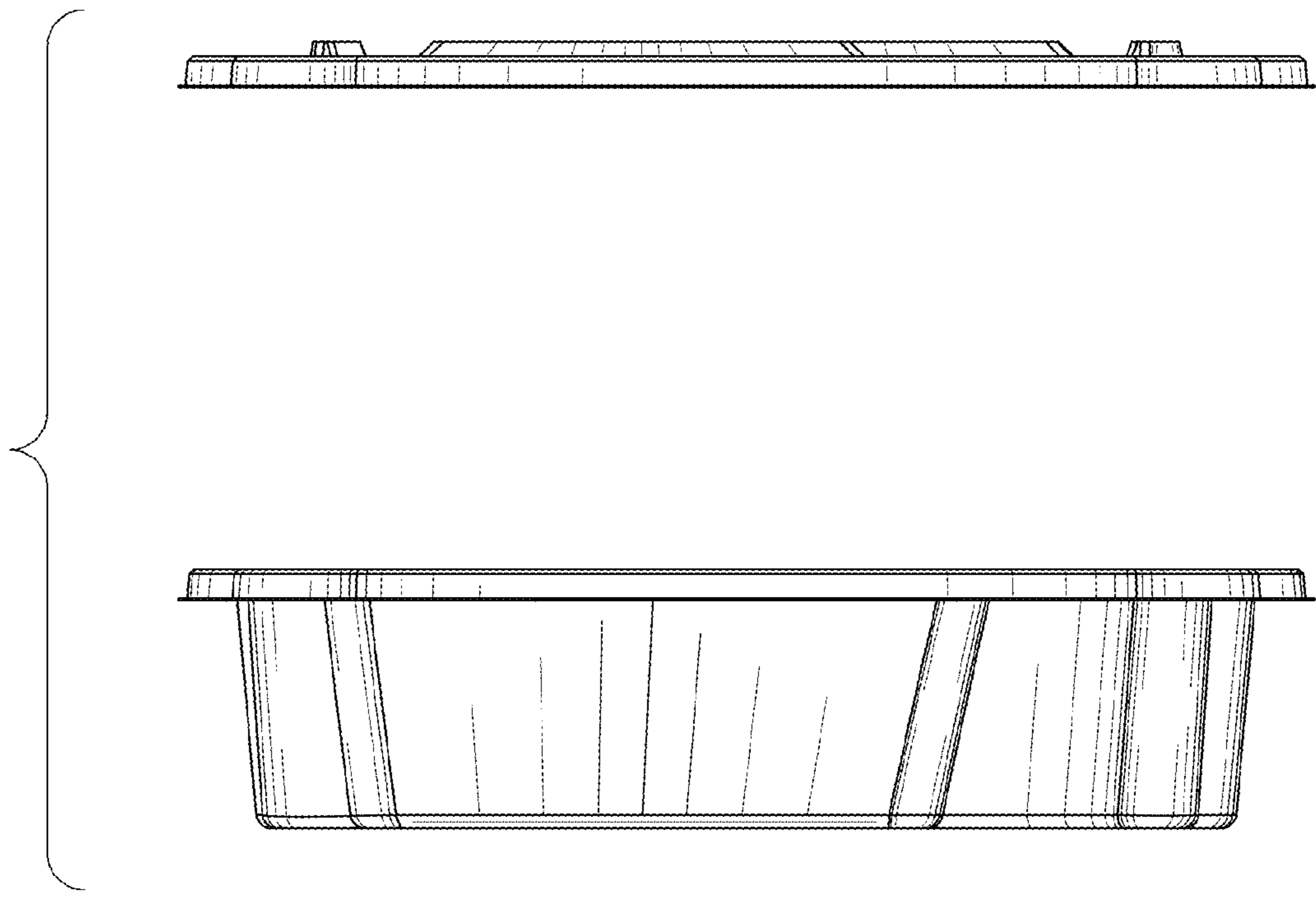


Fig.5

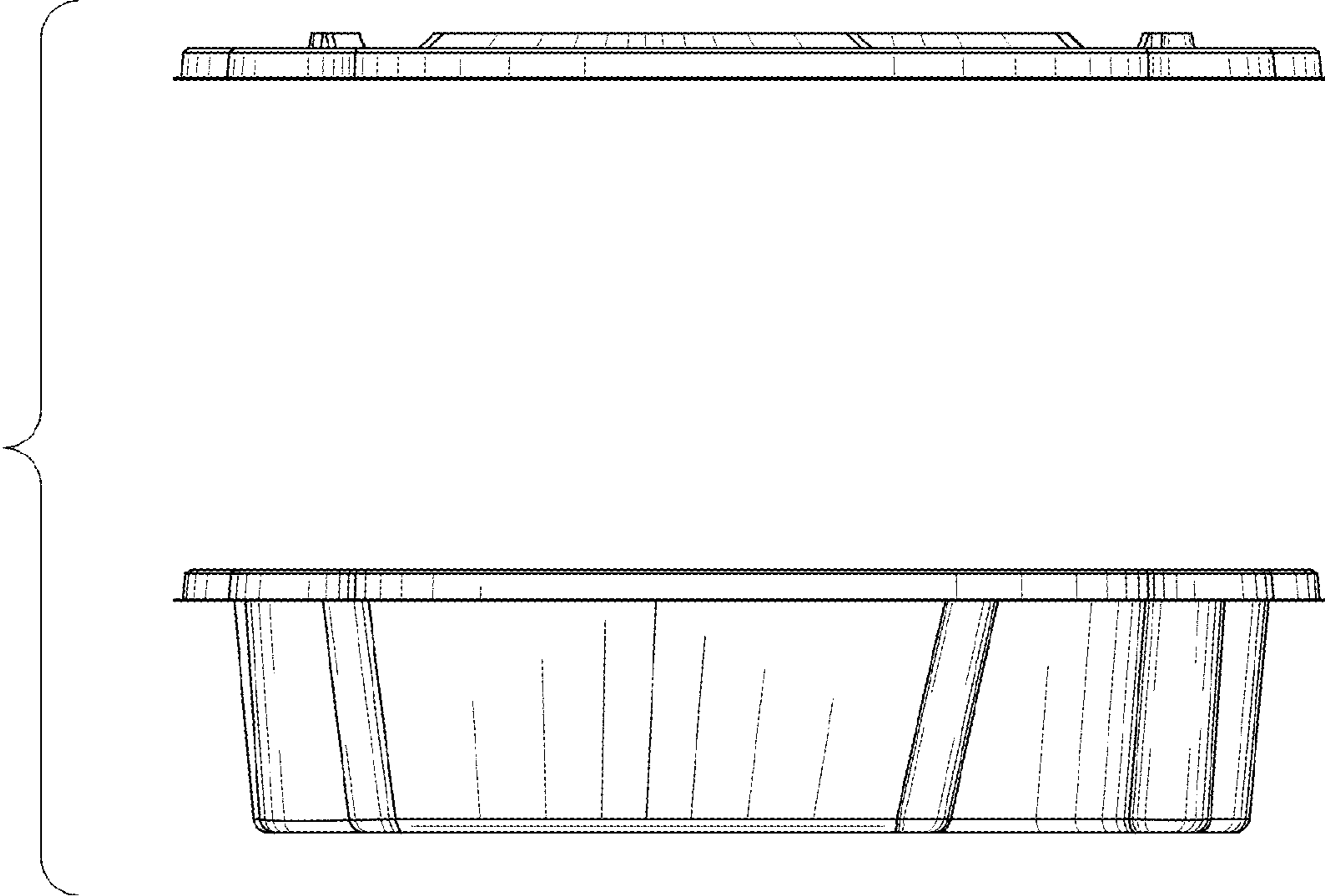


Fig.6

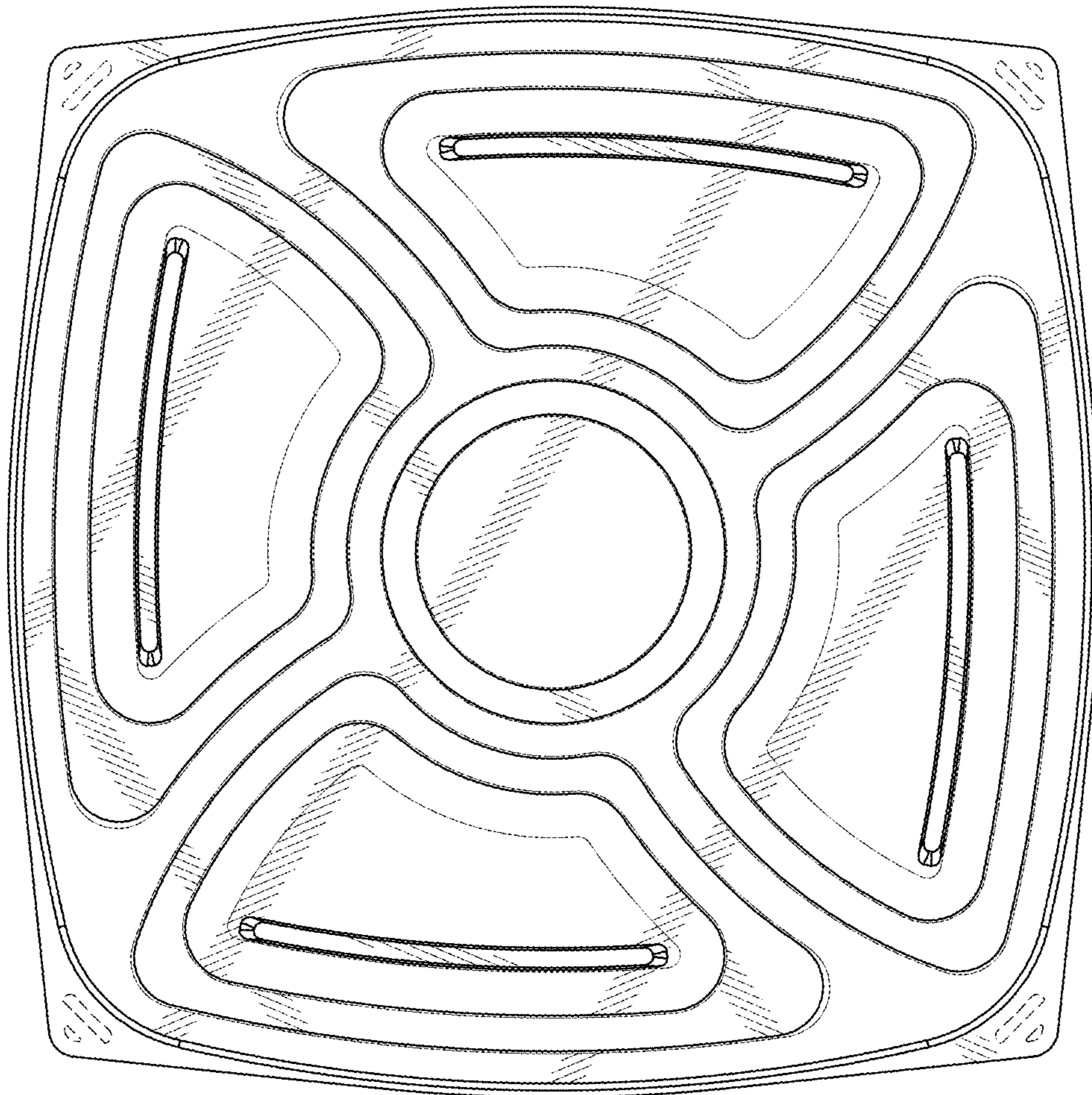


Fig. 7



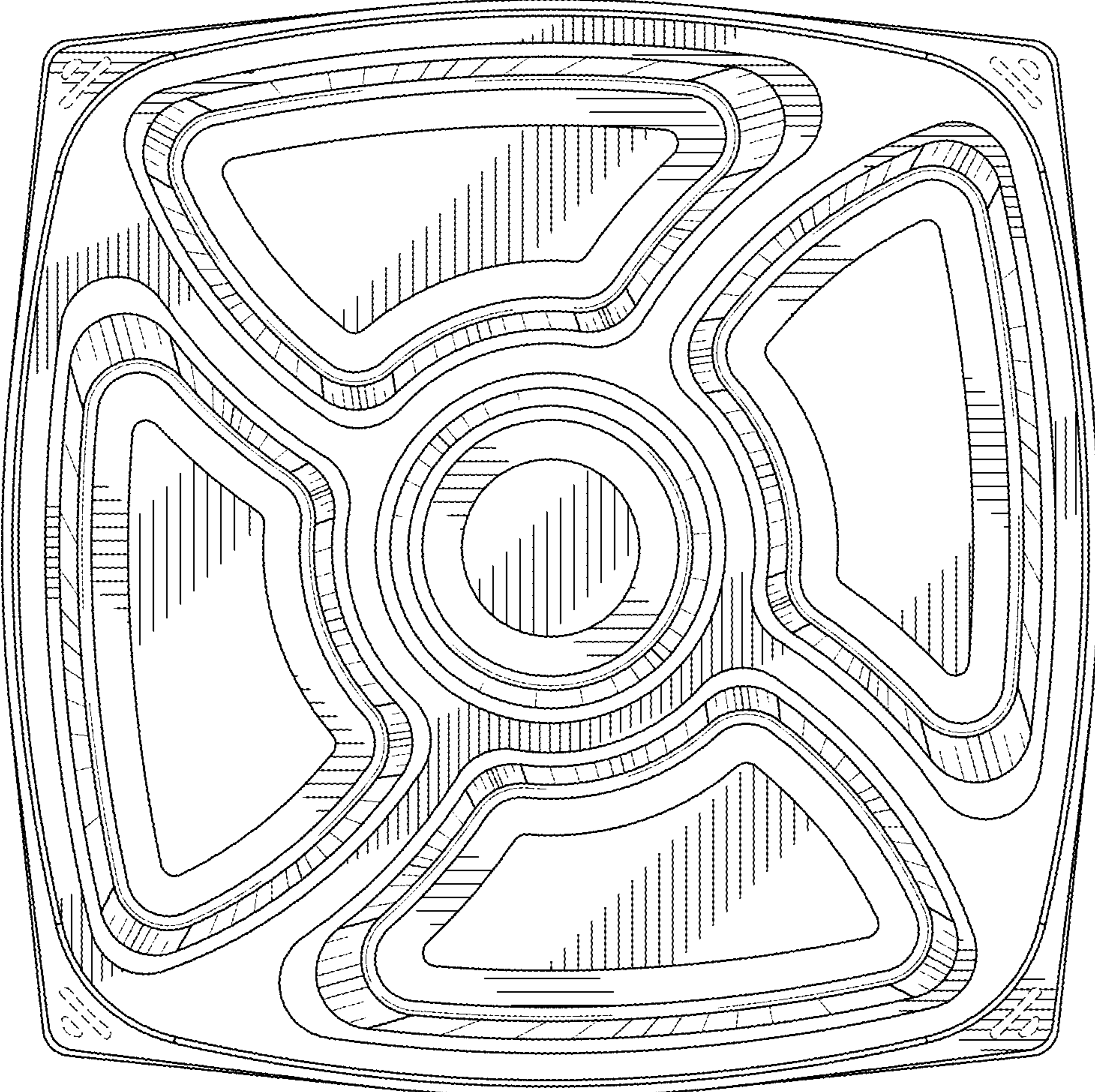


Fig.8