



US00D698666S

(12) **United States Design Patent**
Sifuentes et al.

(10) **Patent No.:** **US D698,666 S**

(45) **Date of Patent:** **** Feb. 4, 2014**

(54) **BOWL AND TRAY UNIT ASSEMBLY**

(71) Applicants: **Direct Pack, Inc.**, Sun Valley, CA (US);
Five Star Gourmet Foods, Inc.,
Ontario, CA (US)

(72) Inventors: **Gandhi B. Sifuentes**, West Covina, CA
(US); **Craig R. Snedden**, Culver City,
CA (US); **Tal Shoshan**, Alta Loma, CA
(US)

(73) Assignees: **Direct Pack, Inc.**, Sun Valley, CA (US);
Five Star Gourmet Foods, Inc.,
Ontario, CA (US)

(**) Term: **14 Years**

(21) Appl. No.: **29/438,980**

(22) Filed: **Dec. 5, 2012**

(51) **LOC (10) Cl.** **09-03**

(52) **U.S. Cl.**
USPC **D9/761; D9/425; D9/431**

(58) **Field of Classification Search**
USPC D9/414, 419, 424, 425, 430, 431, 432,
D9/435, 761; D7/538, 549, 550.1,
D7/601-603, 605, 629; 229/105, 117.09,
229/117.26, 189, 406, 407, 902, 905,
229/915.1; 220/23.4, 23.6, 266, 281, 315,
220/318, 500, 659, 669, 674, 675, 696, 752,
220/760, 790, 793, DIG. 12, FOR. 117;
206/508, 557, 499

See application file for complete search history.

(56) **References Cited**

U.S. PATENT DOCUMENTS

3,070,275 A * 12/1962 Bostrom 229/4.5
D292,887 S * 11/1987 Schouten D9/424

4,807,776 A * 2/1989 Cortopassi 220/23.83
D444,058 S * 6/2001 Hampshire et al. D9/761
D513,979 S * 1/2006 Snedden et al. D9/425
D514,931 S * 2/2006 Snedden et al. D9/425
D517,405 S * 3/2006 Snedden et al. D9/425
D551,091 S * 9/2007 Shahsavarani D9/761
D597,379 S * 8/2009 Changpan D7/542
D607,284 S * 1/2010 Ho D7/629
D628,478 S * 12/2010 Snedden et al. D9/431
D628,479 S * 12/2010 Snedden et al. D9/431
D632,170 S * 2/2011 Lawrence et al. D9/425
D640,129 S * 6/2011 Sifuentes et al. D9/425
D640,544 S * 6/2011 Sifuentes et al. D9/425
D642,484 S * 8/2011 Birchmeier et al. D9/760
D642,937 S * 8/2011 Birchmeier et al. D9/760
D646,969 S * 10/2011 Snedden et al. D9/431
D646,984 S * 10/2011 Moore et al. D9/737
D660,147 S * 5/2012 Snedden et al. D9/435
D665,663 S * 8/2012 Krupa D9/428
D688,126 S * 8/2013 Snedden et al. D9/435
D688,941 S * 9/2013 Sifuentes et al. D9/432

* cited by examiner

Primary Examiner — Mark Goodwin

(74) *Attorney, Agent, or Firm* — Frost Brown Todd LLC

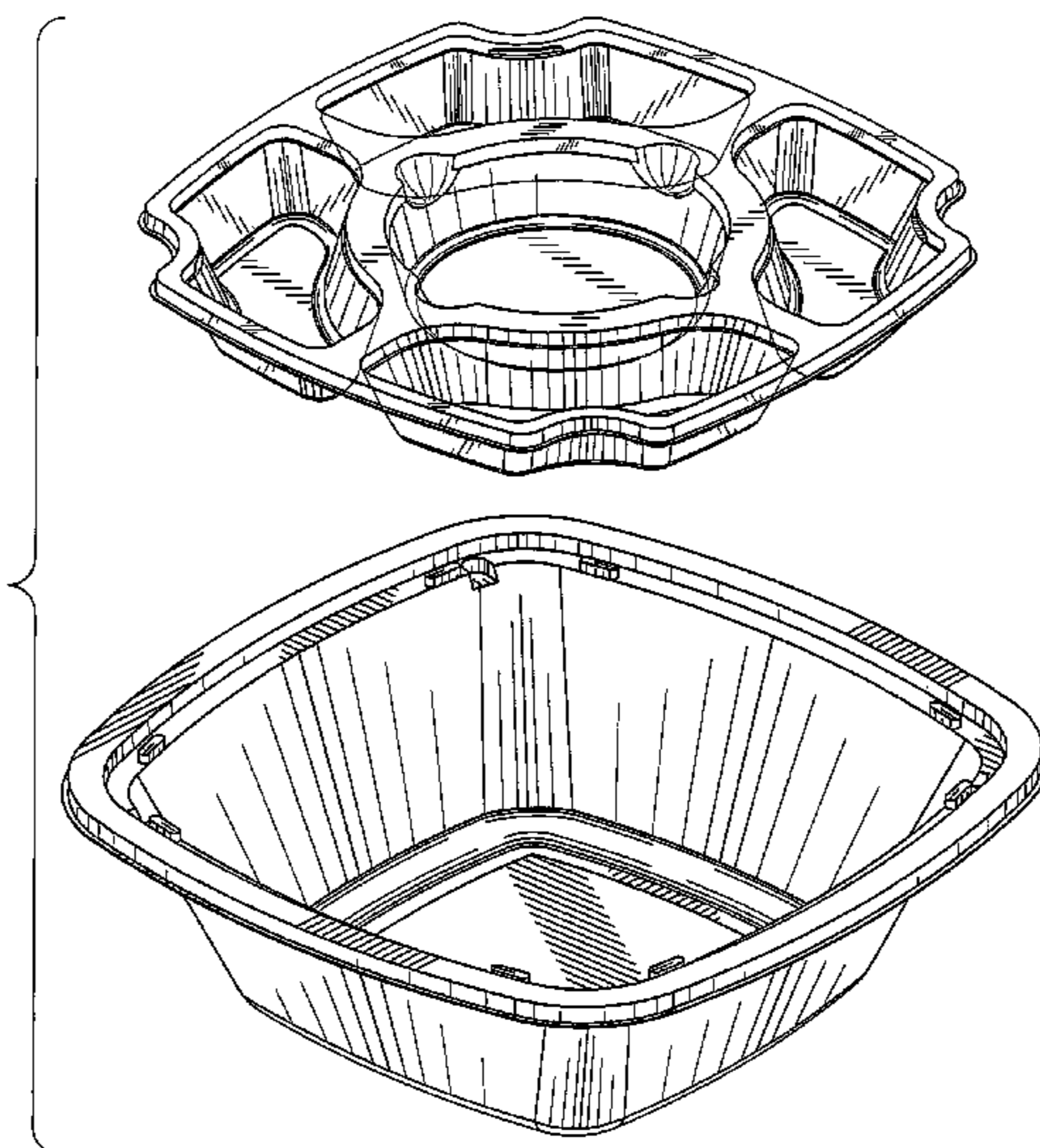
(57) **CLAIM**

The ornamental design for a bowl and tray unit assembly, as shown and described.

DESCRIPTION

FIG. 1 is a top perspective view of a bowl and tray unit assembly, showing our new design;
FIG. 2 is a bottom perspective view thereof;
FIG. 3 is a front elevation view thereof;
FIG. 4 is a rear elevation view thereof;
FIG. 5 is a left elevation view thereof;
FIG. 6 is a right elevation view thereof;
FIG. 7 is a top plan view thereof; and,
FIG. 8 is a bottom plan view thereof.

1 Claim, 8 Drawing Sheets



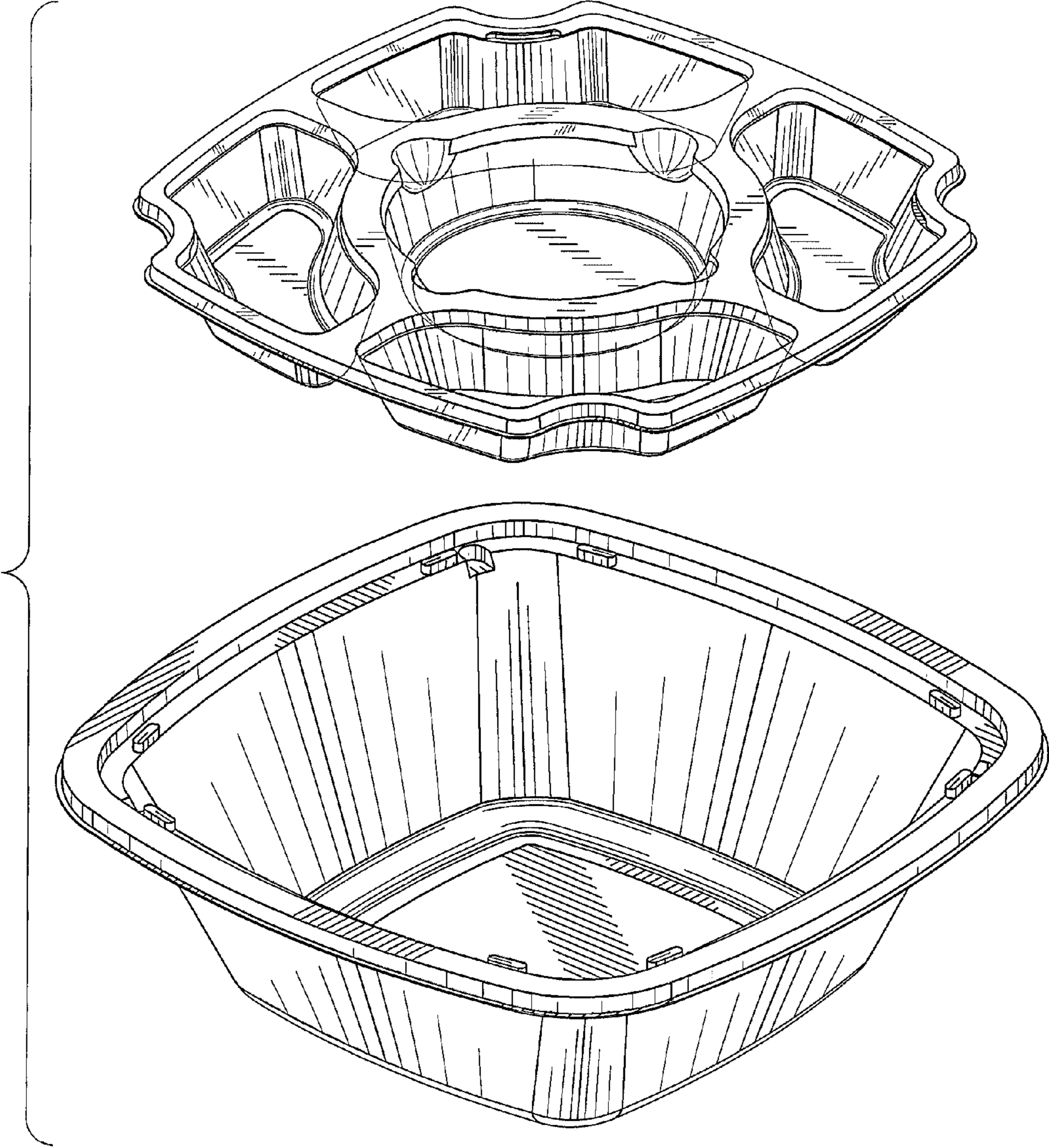


Fig. 1

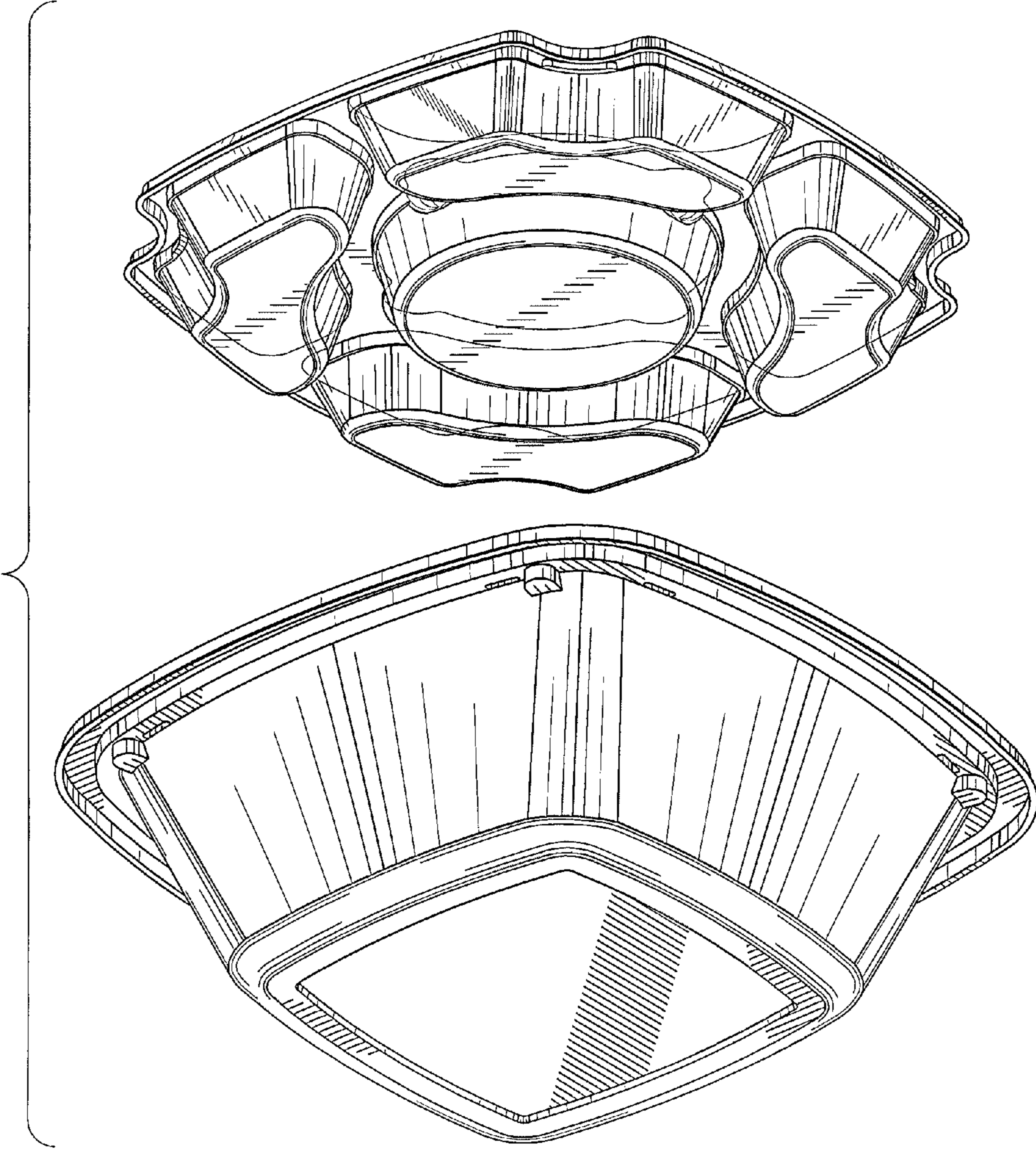


Fig.2

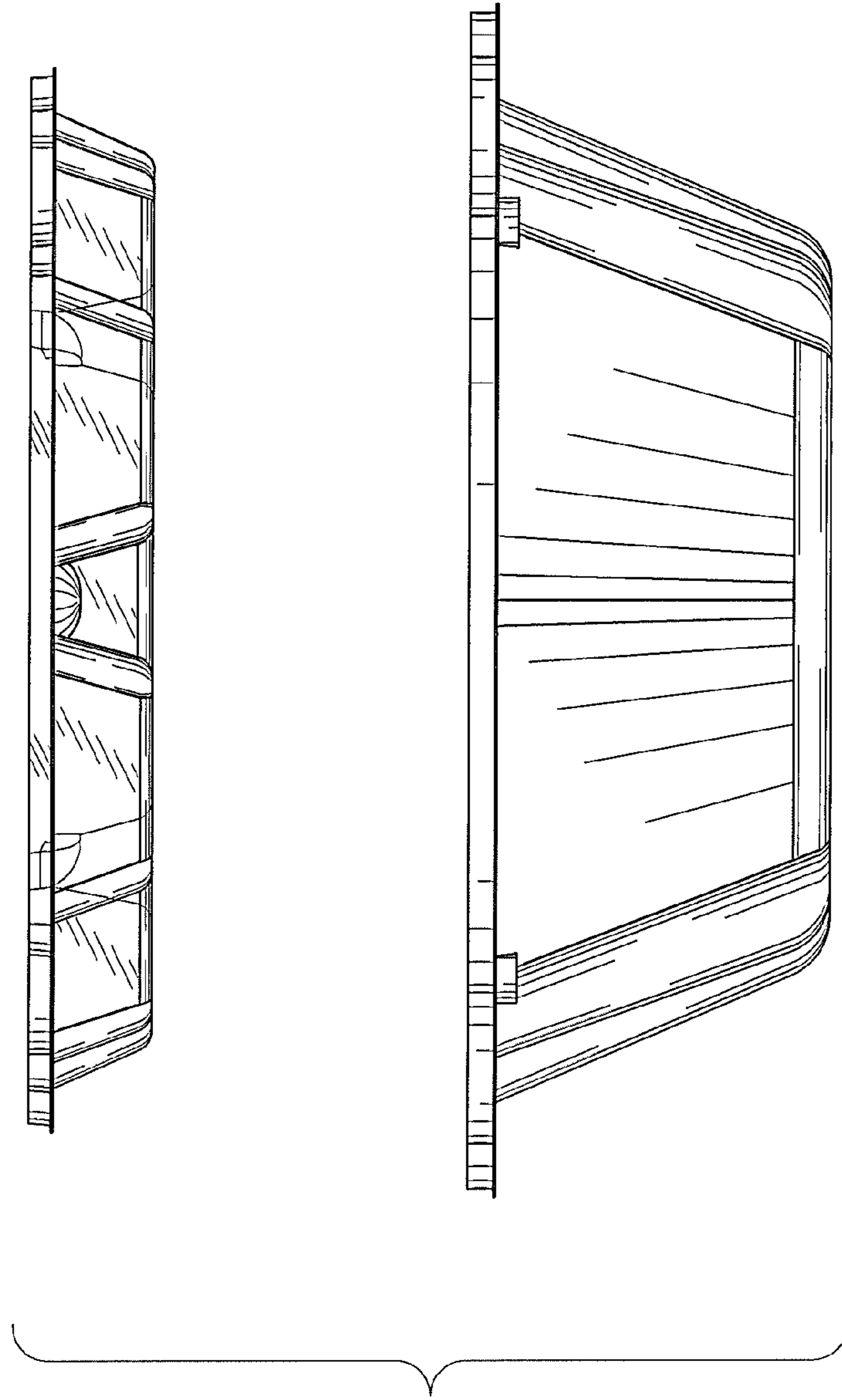


Fig. 3

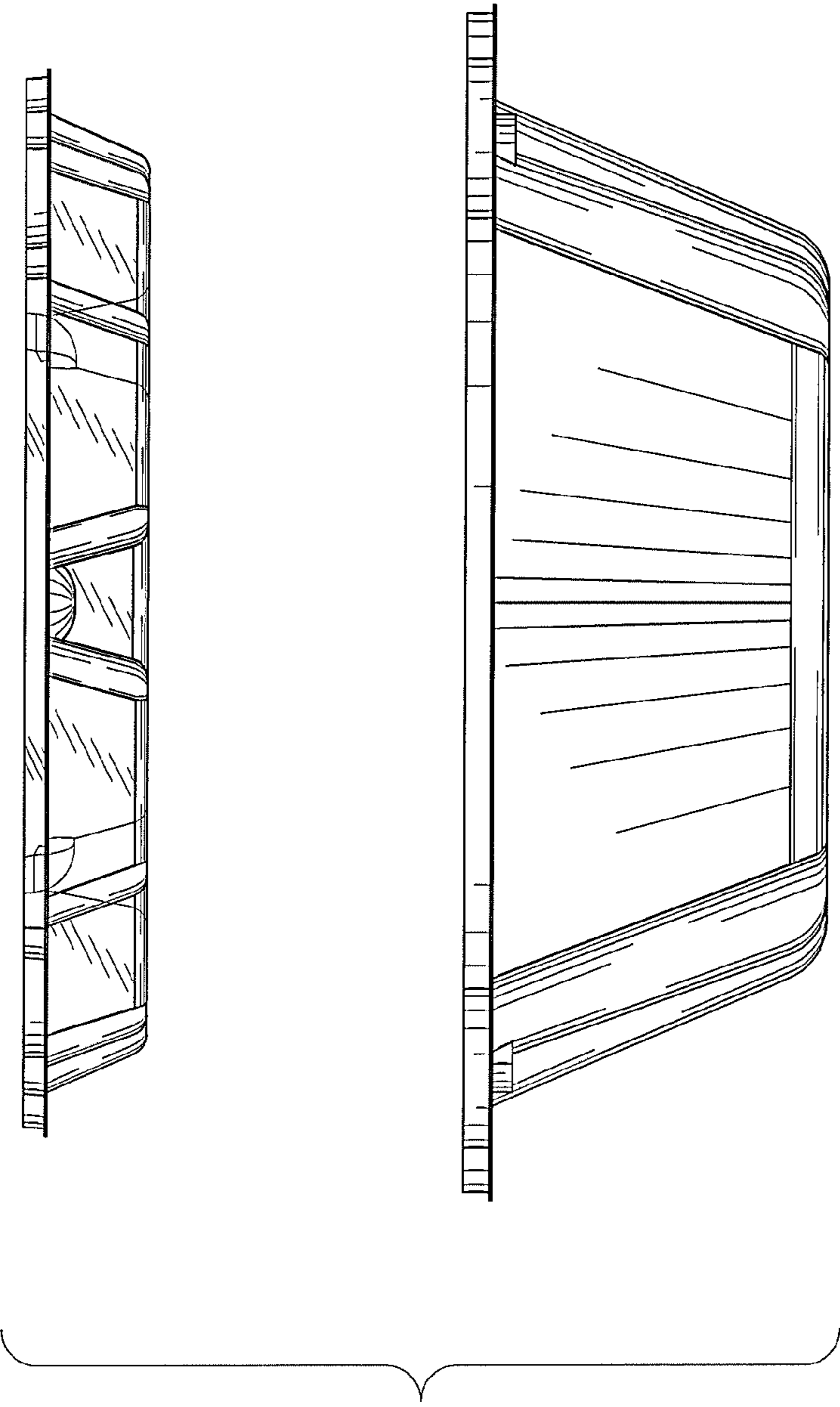


Fig. 4

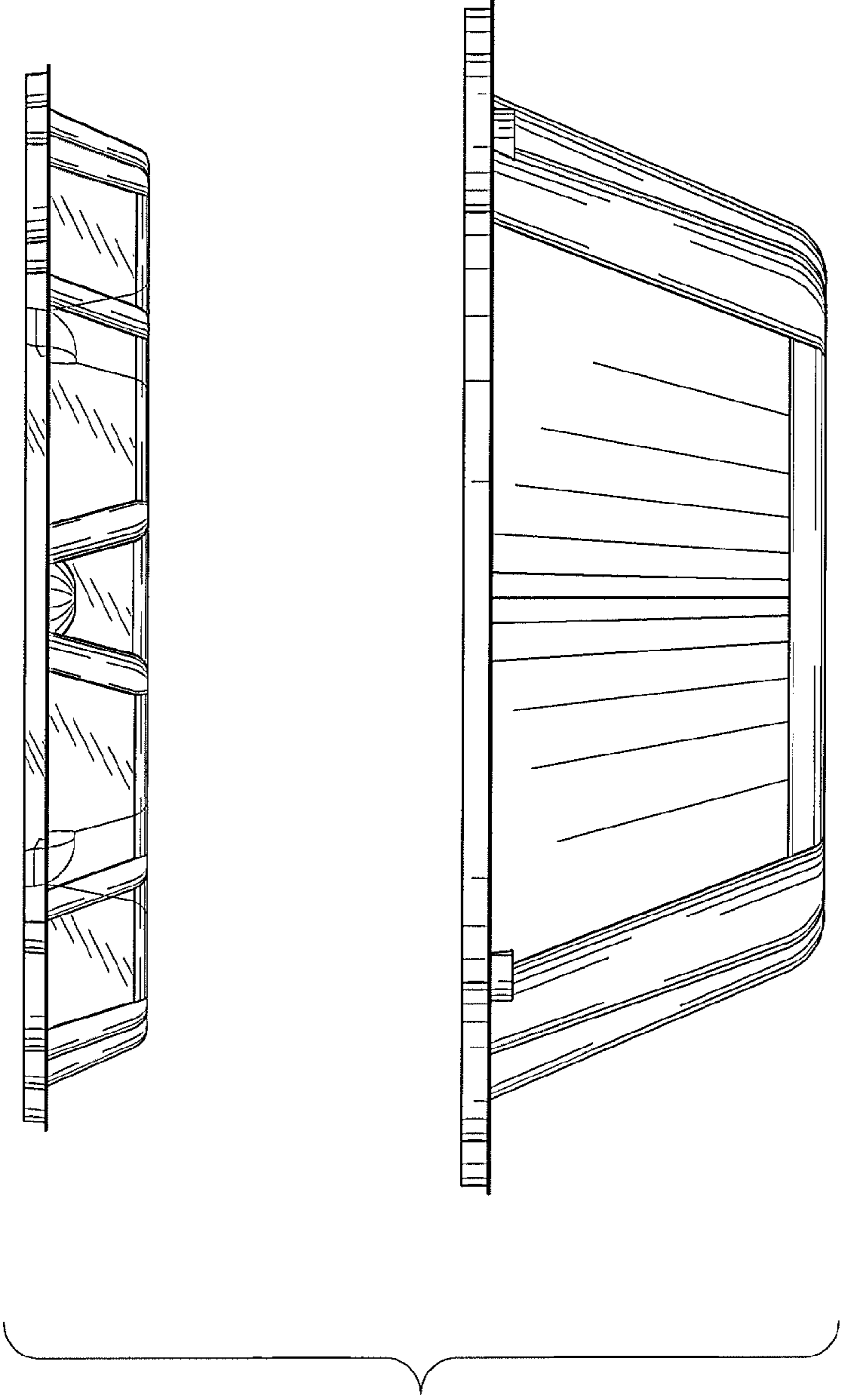


Fig. 5

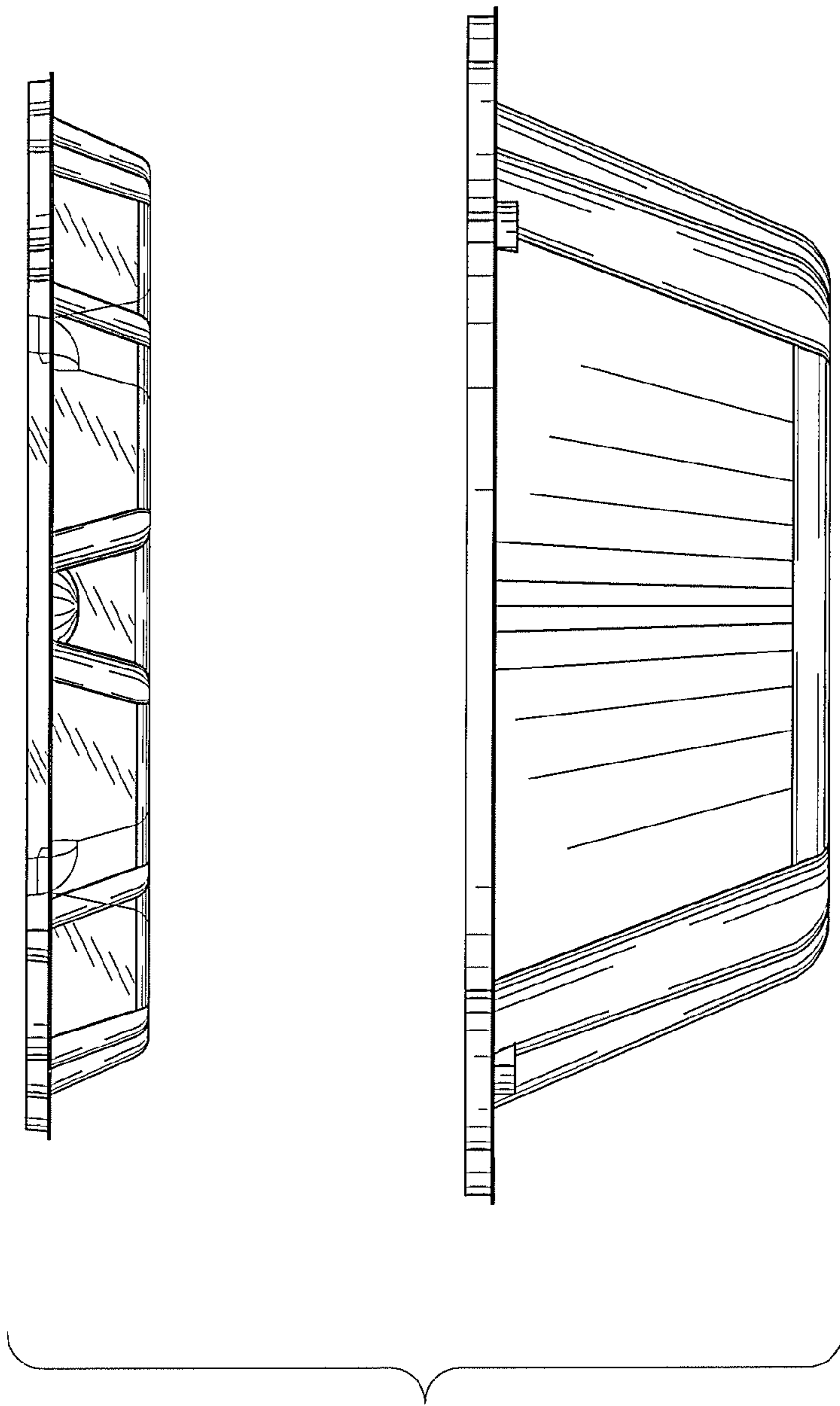


Fig. 6

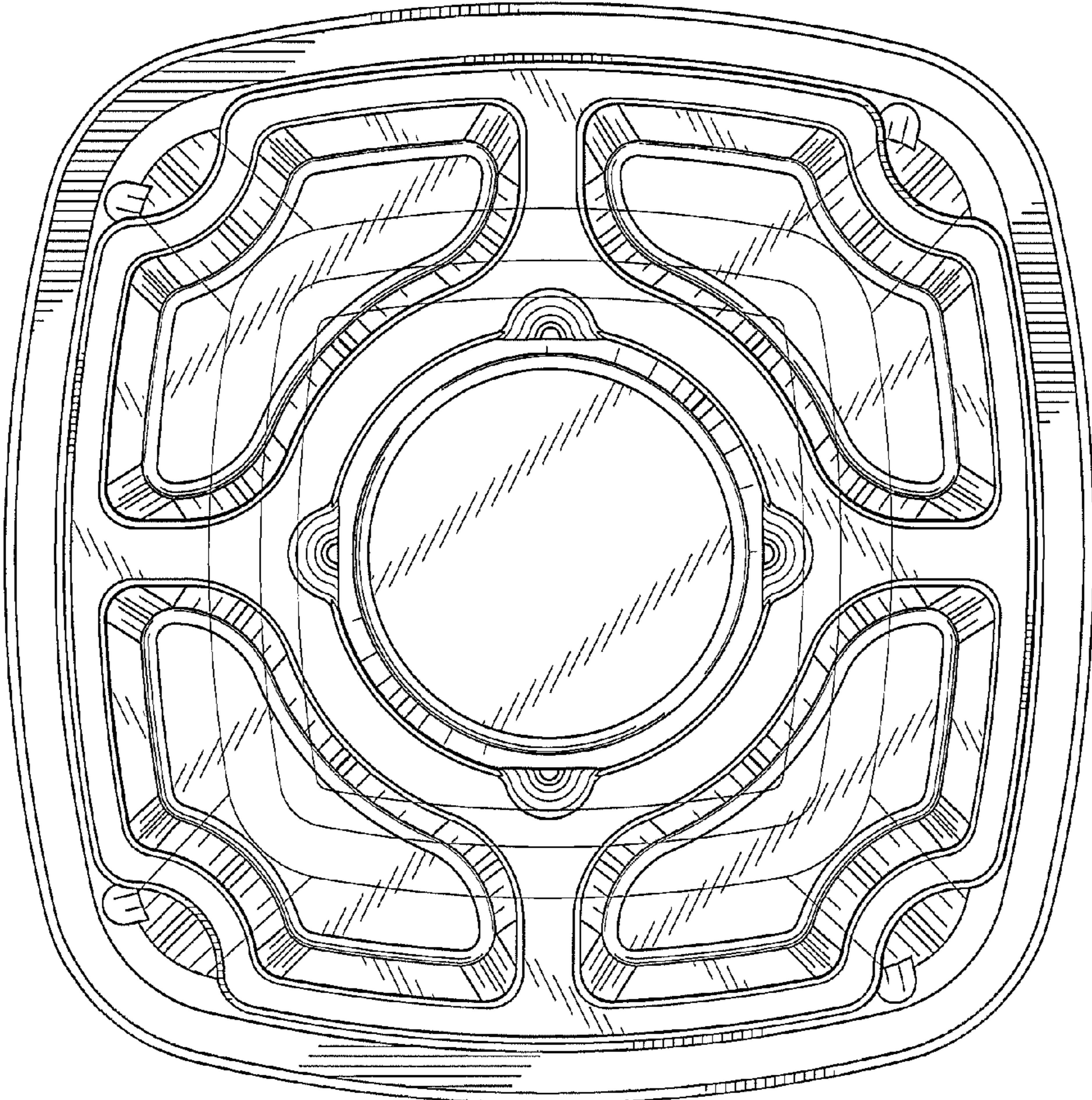


Fig. 7

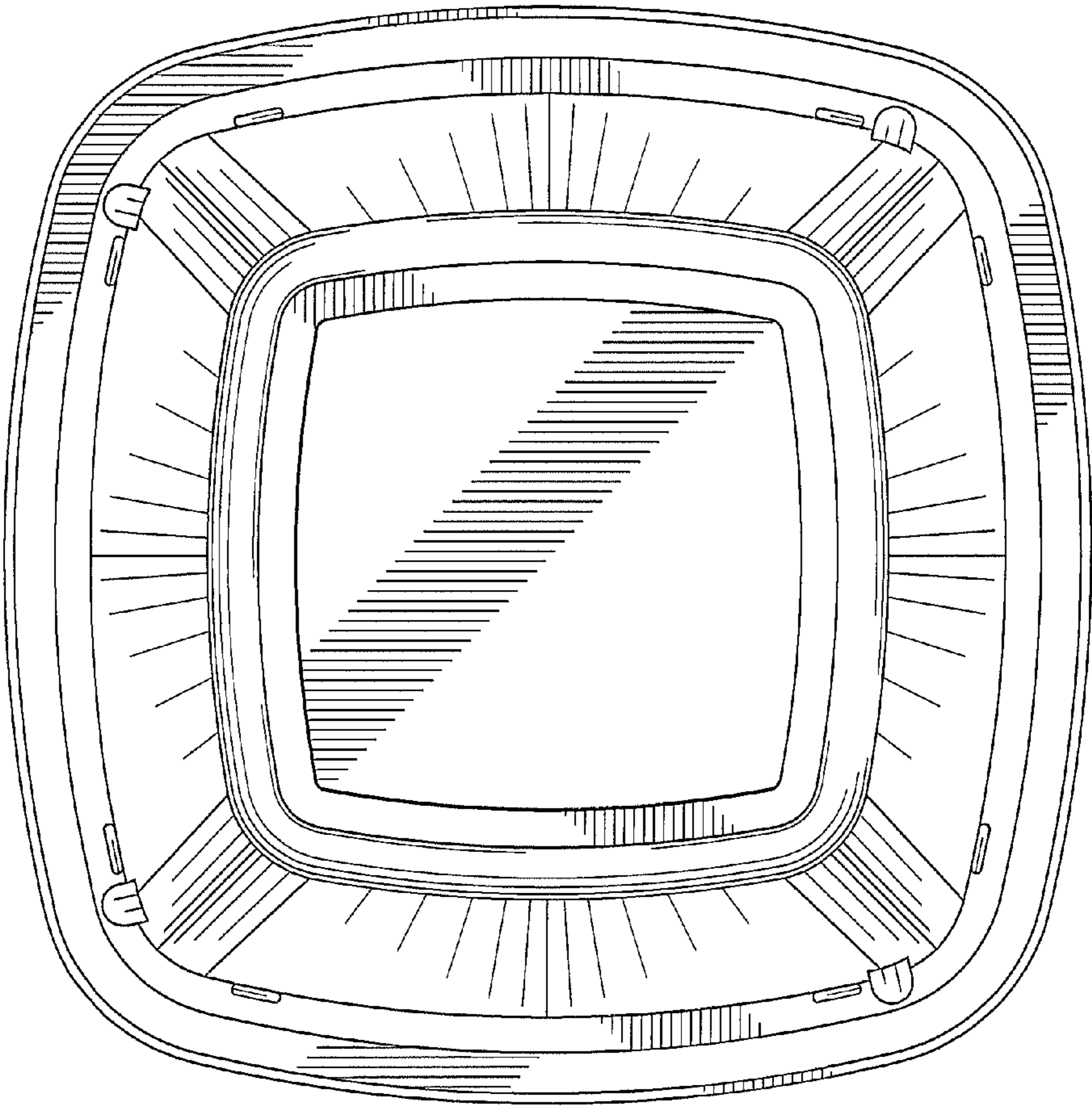


Fig. 8

UNITED STATES PATENT AND TRADEMARK OFFICE
CERTIFICATE OF CORRECTION

PATENT NO. : D698,666 S
APPLICATION NO. : 29/438980
DATED : February 4, 2014
INVENTOR(S) : Shoshan et al.

Page 1 of 1

It is certified that error appears in the above-identified patent and that said Letters Patent is hereby corrected as shown below:

Title Page, Item (12) "Sifuentes" should read -- Shoshan, et al. --.

Title Page, Item (72) Inventor is corrected to read:
-- Tal Shoshan, Alta Loma (CA);
Gandhi B. Sifuentes, West Convina (CA) --.

Signed and Sealed this
Twenty-seventh Day of October, 2015



Michelle K. Lee
Director of the United States Patent and Trademark Office