

US00D698664S

(12) **United States Design Patent**
Abbott

(10) **Patent No.:** **US D698,664 S**

(45) **Date of Patent:** **** Feb. 4, 2014**

(54) **ORIGAMI GIFT BOX**

(75) Inventor: **Alan Abbott**, Wailuku, HI (US)

(73) Assignee: **Bread Box Industries, Inc.**, North Miami, FL (US)

(**) Term: **14 Years**

(21) Appl. No.: **29/424,845**

(22) Filed: **Jun. 15, 2012**

(51) **LOC (10) Cl.** **09-03**

(52) **U.S. Cl.**
USPC **D9/721**

(58) **Field of Classification Search**

USPC D9/414, 418, 419, 423, 426, 432, 433, D9/670, 681, 715, 734, 736, 737, 761, D9/759; D7/553.1, 553.2, 555; D3/203.3, D3/302, 313; 220/23.91, 500, 507, 553, 220/555, 244, 255, 796; 206/6.1, 213, 214, 206/278.1, 425, 486, 558, 565, 745, 769; 229/123.2, 124, 125.01, 162.1, 164.1, 229/176, 185.1, 180, 186, 901, 922

See application file for complete search history.

(56) **References Cited**

U.S. PATENT DOCUMENTS

295,311	A *	3/1884	Underwood	217/15
536,064	A *	3/1895	Birley	229/180
1,726,682	A *	9/1929	Scholes	229/176
2,018,070	A *	10/1935	Kreider, Jr.	229/116.5
2,412,450	A *	12/1946	Fink	206/760
2,800,998	A *	7/1957	Holmquist	134/201
3,815,808	A *	6/1974	Bunnell	206/427
5,555,982	A *	9/1996	Kuhn et al.	206/746
5,630,545	A *	5/1997	Jaglowitz	229/125.19

D438,101	S *	2/2001	Koster	D9/721
2008/0093432	A1 *	4/2008	Moenne-Loccoz et al.	..	229/124
2009/0007467	A1 *	1/2009	Bowman	40/107
2011/0083986	A1 *	4/2011	Zimmermann et al.	206/440

* cited by examiner

Primary Examiner — Derrick Holland

Assistant Examiner — Lauren Calve

(74) *Attorney, Agent, or Firm* — Espinosa | Trueba, PL; William R. Trueba, Jr.

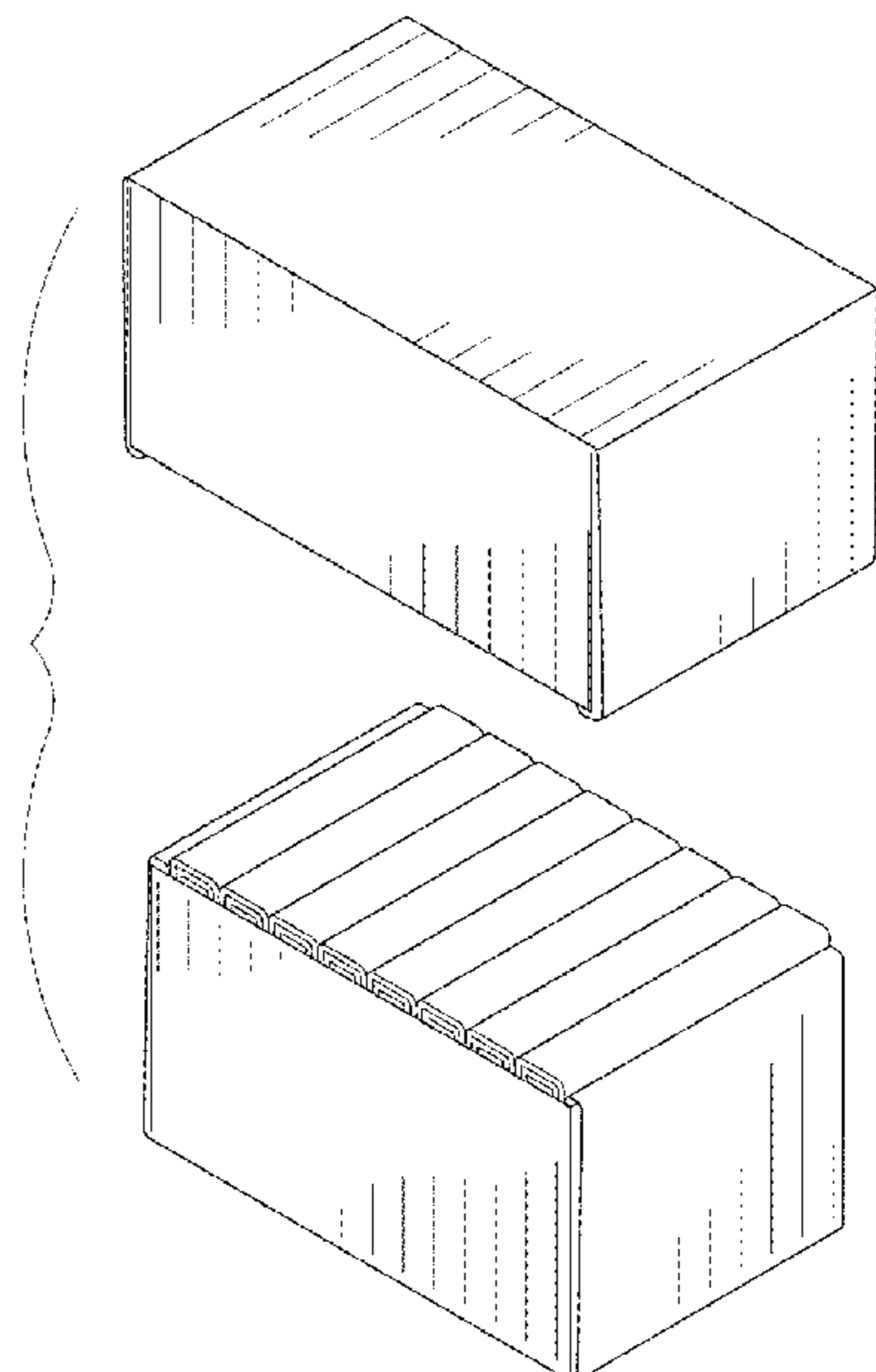
(57) **CLAIM**

The ornamental design of an origami gift box, as shown and described.

DESCRIPTION

FIG. 1 is a perspective view of an origami gift box showing my new design;
 FIG. 2 is a front elevational view of the origami gift box of FIG. 1;
 FIG. 3 is a side elevational view of the origami gift box of FIG. 1;
 FIG. 4 is a top perspective view of the origami gift box of FIG. 1 with the cover placed over the bottom portion of the origami gift box;
 FIG. 5 is a bottom perspective view of the origami gift box of FIG. 4;
 FIG. 6 is a side elevational view of the origami gift box of FIG. 4;
 FIG. 7 is a top elevational view of the origami gift box of FIG. 4;
 FIG. 8 is a bottom elevational view of the origami gift box of FIG. 4; and,
 FIG. 9 is a front elevational view of the origami gift box of FIG. 4.

1 Claim, 3 Drawing Sheets



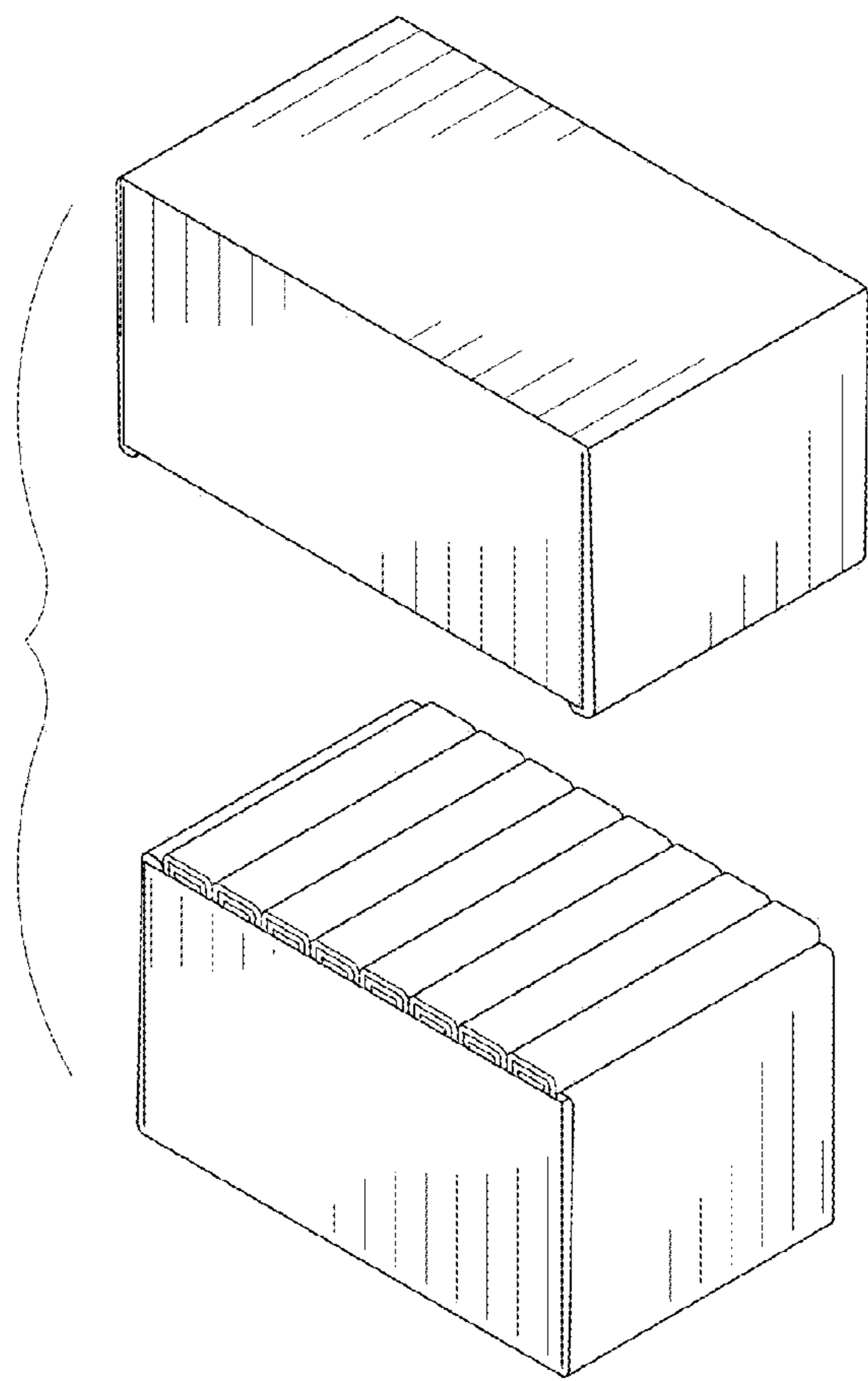


FIG. 1

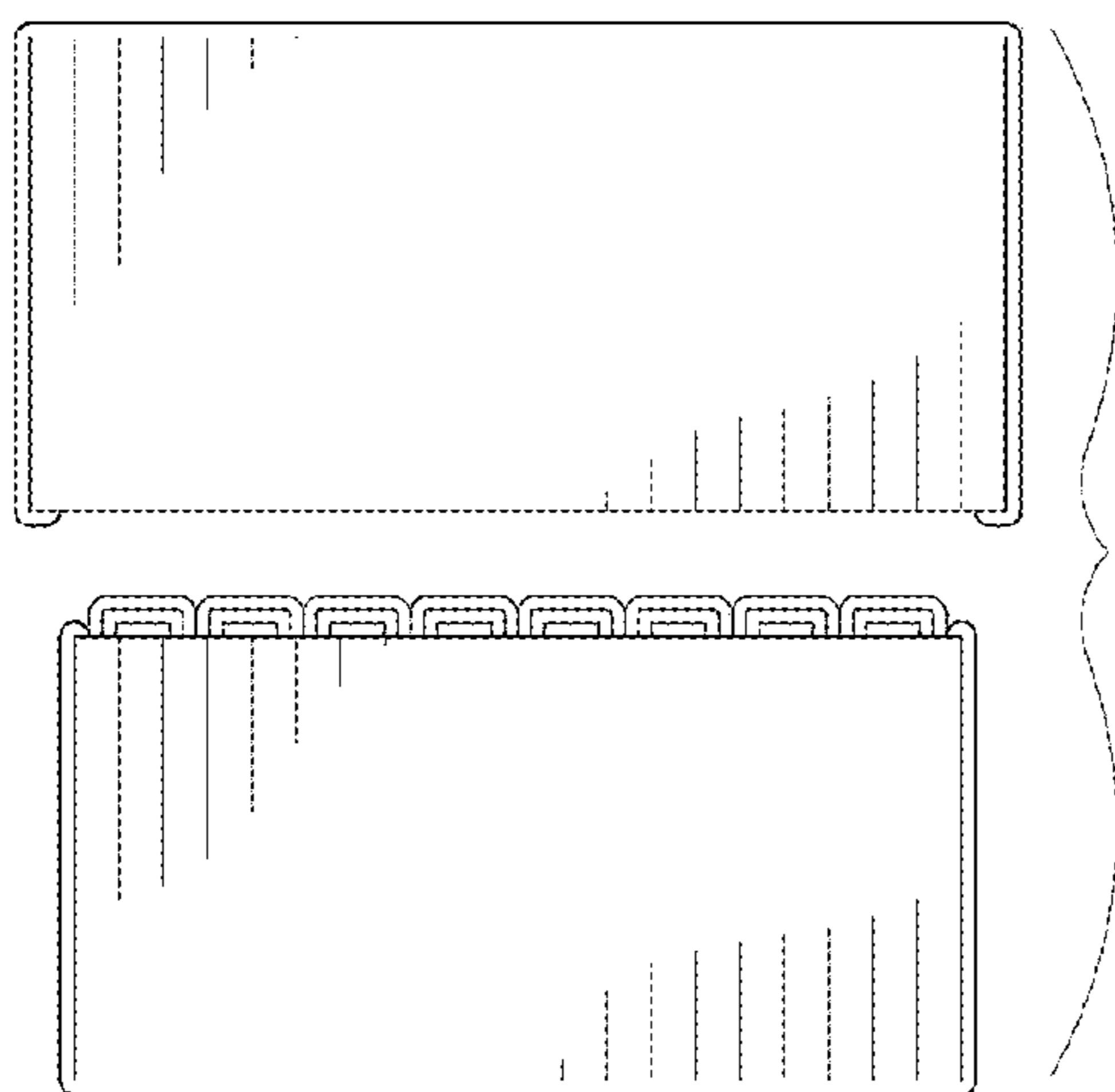


FIG. 2

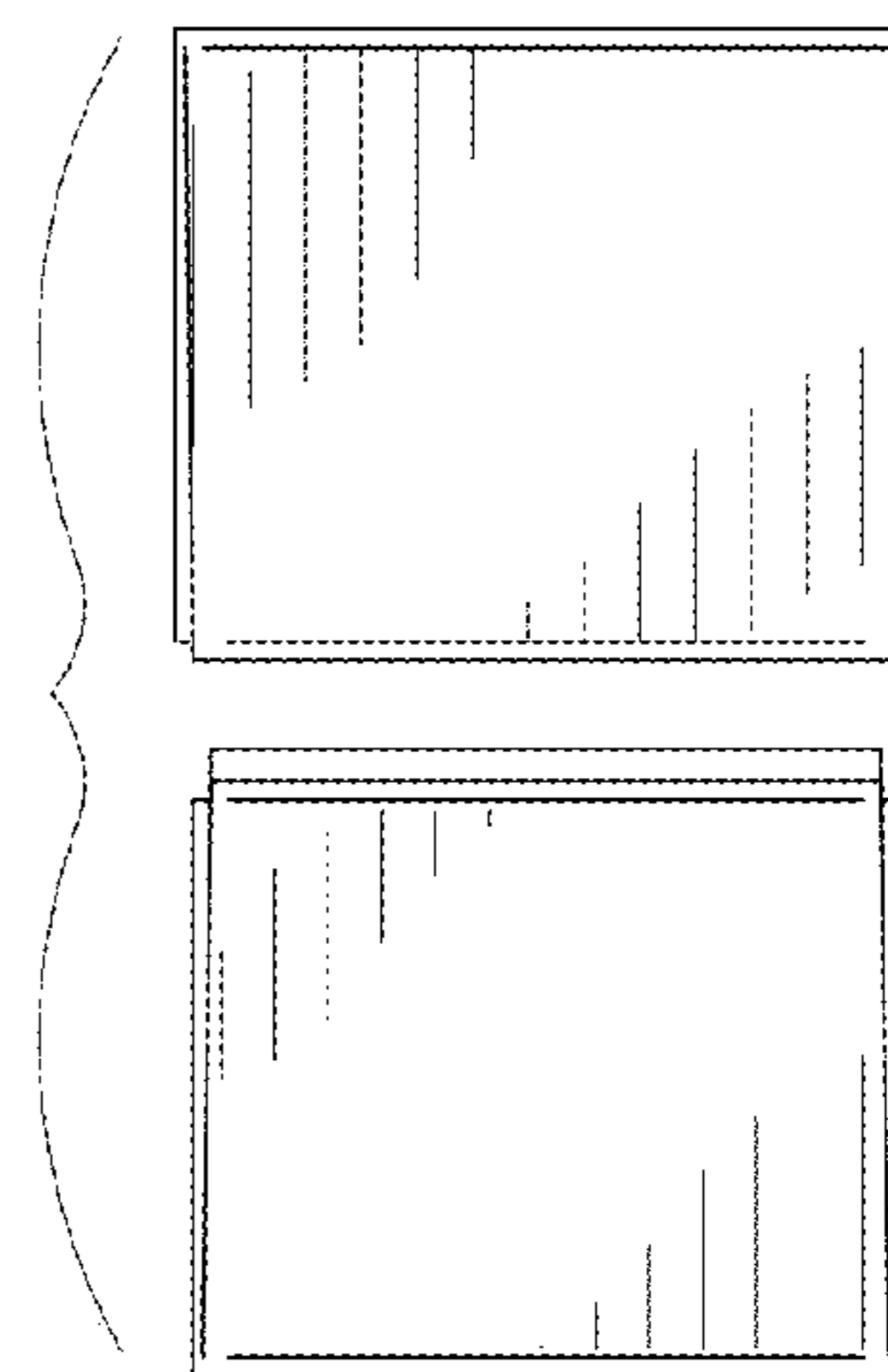


FIG. 3

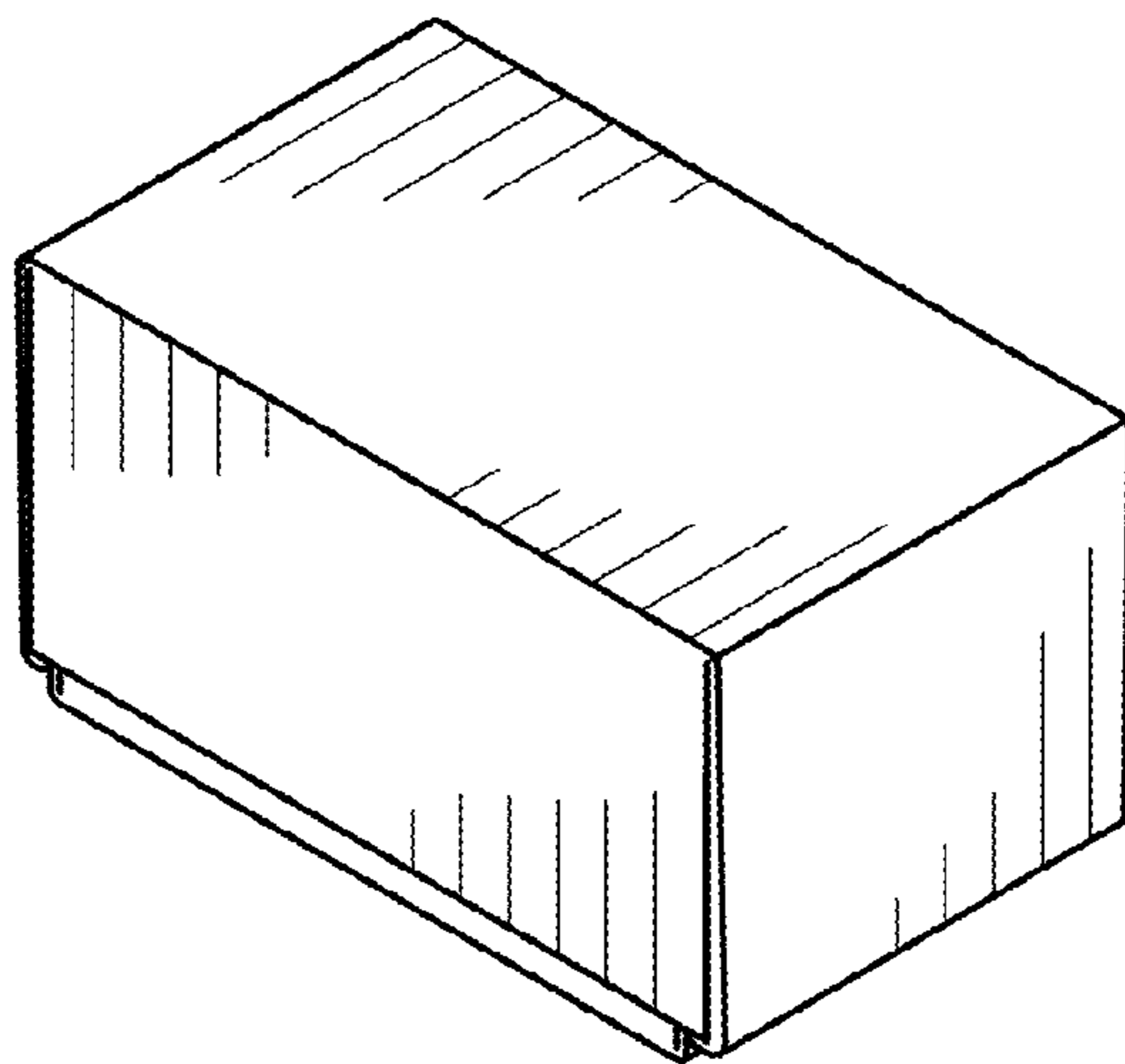


FIG. 4

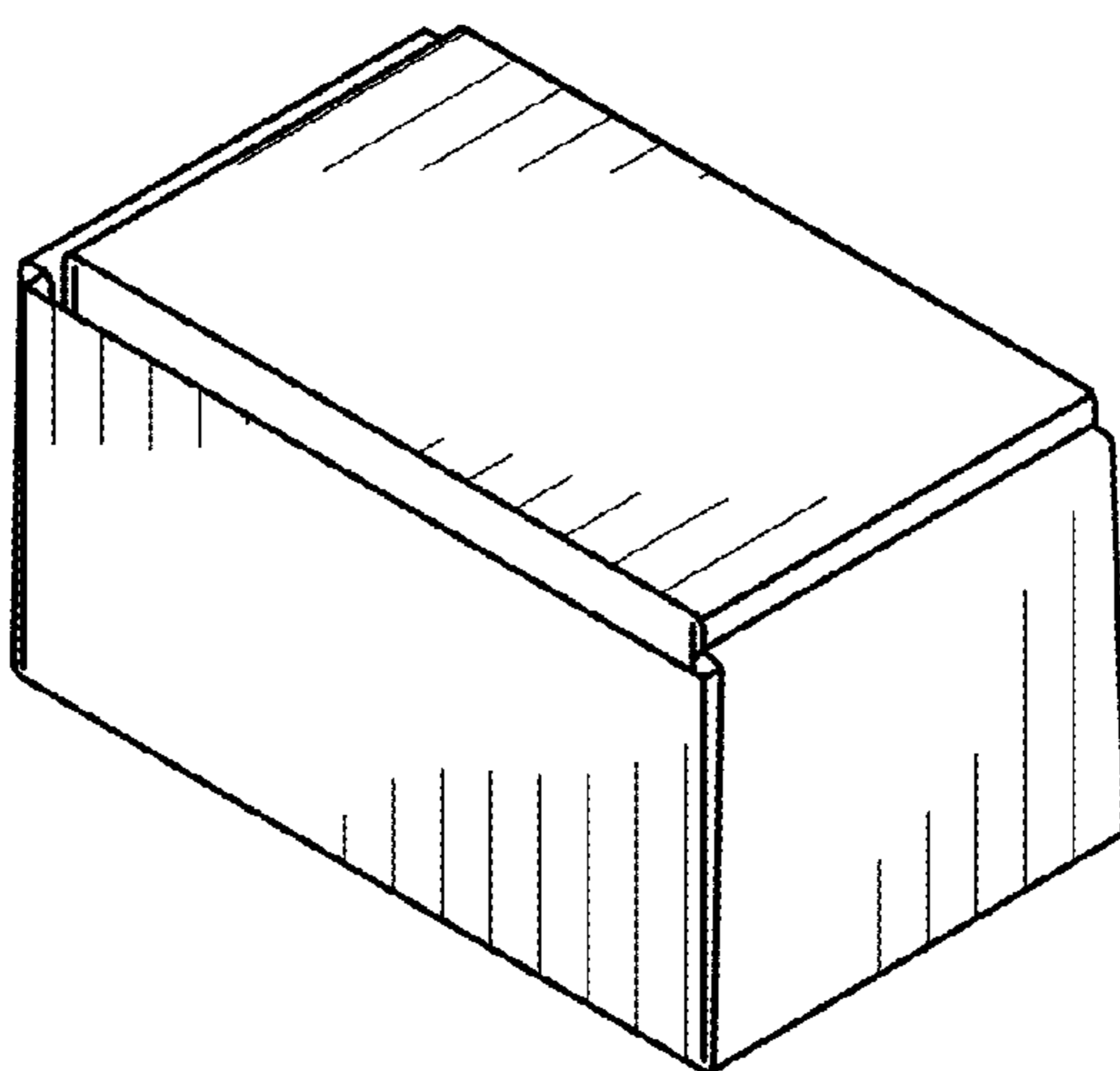


FIG. 5

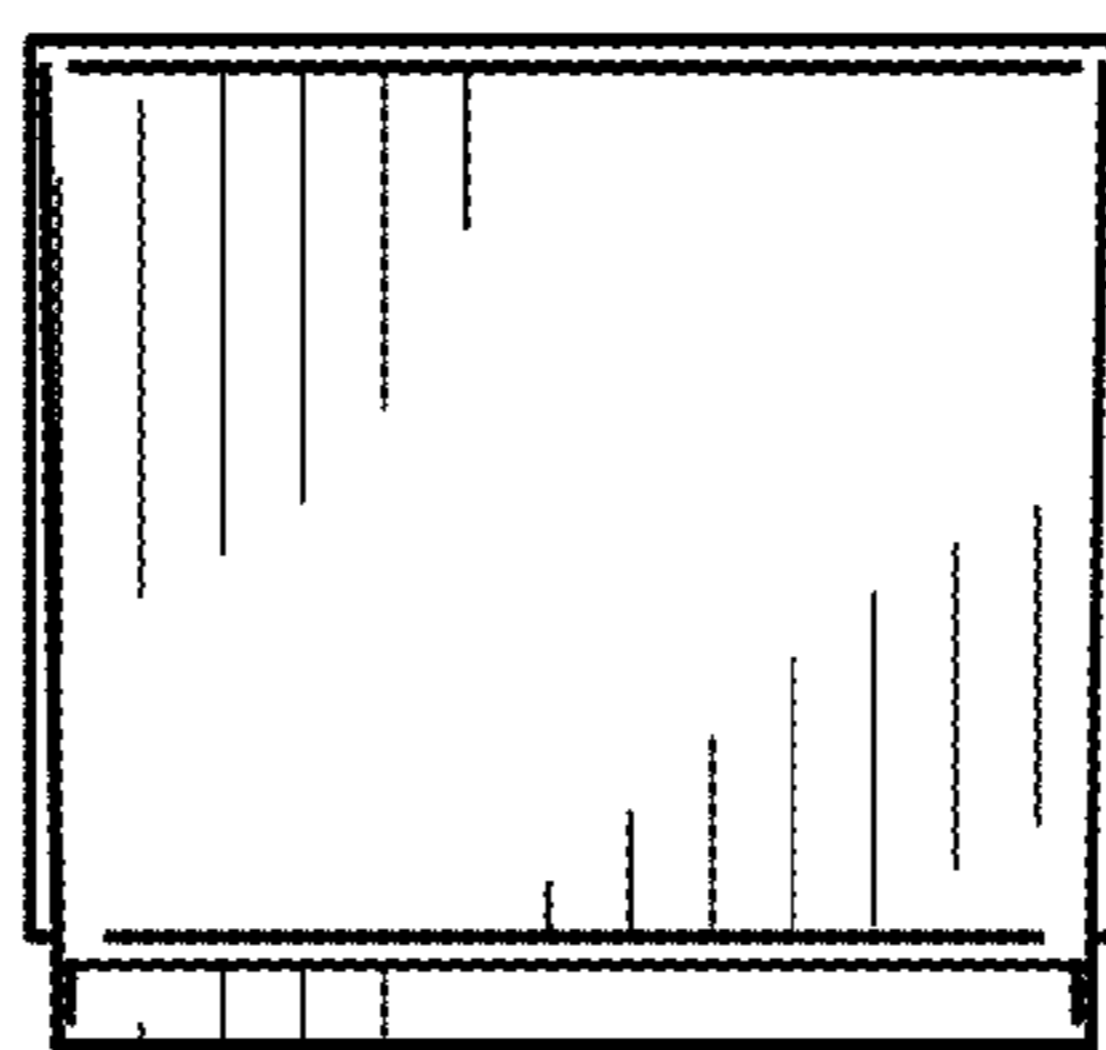


FIG. 6

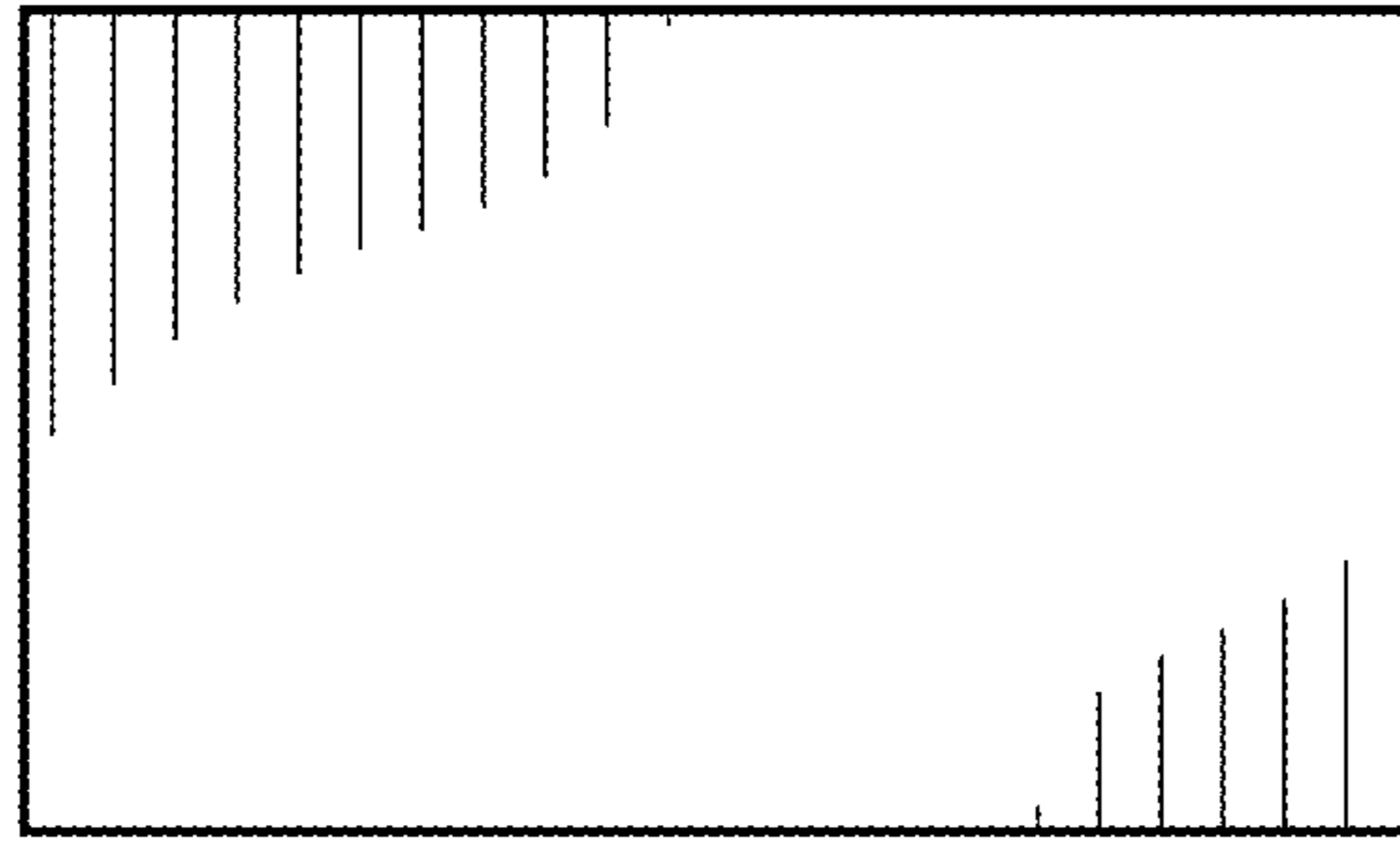


FIG. 7

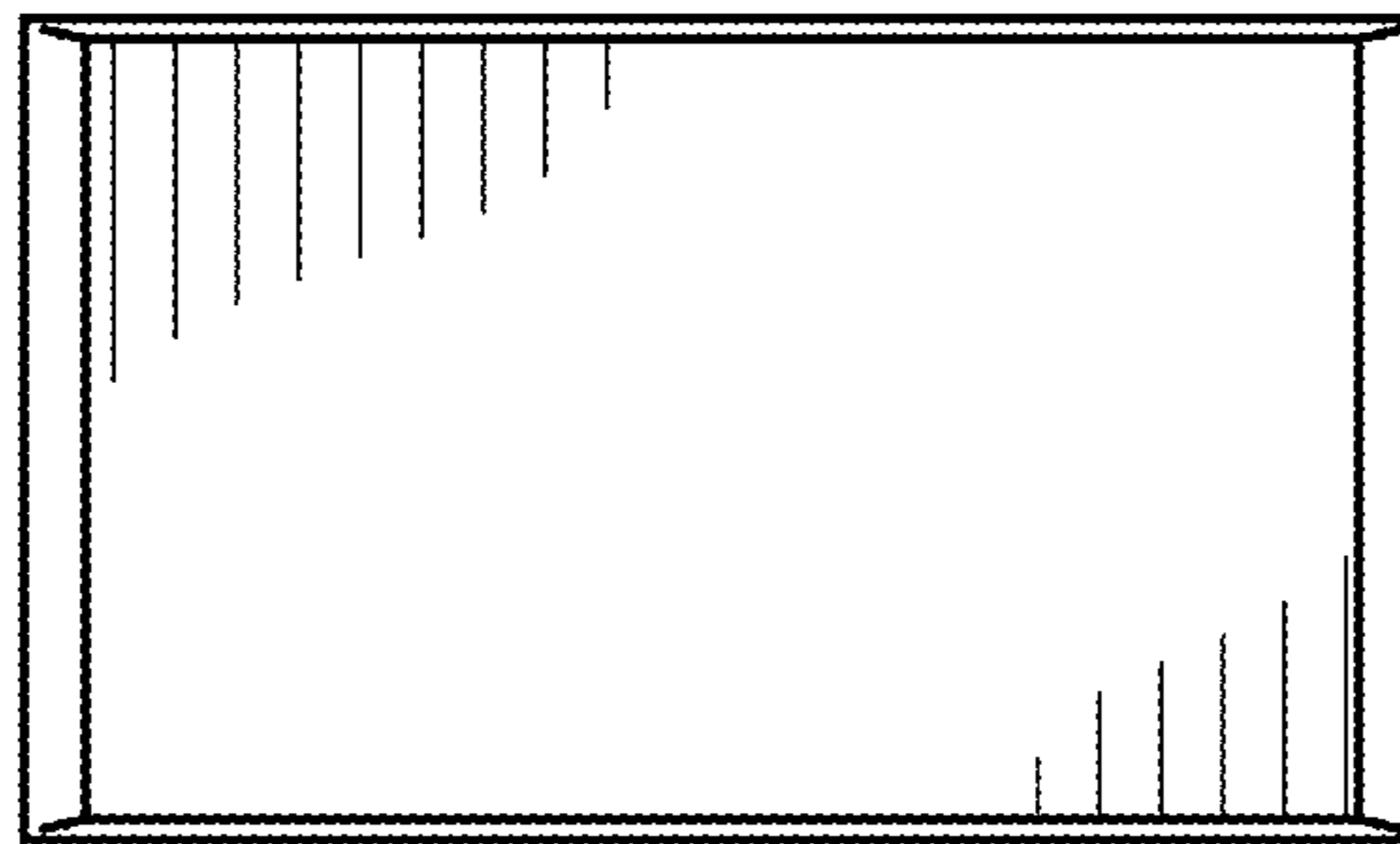


FIG. 8

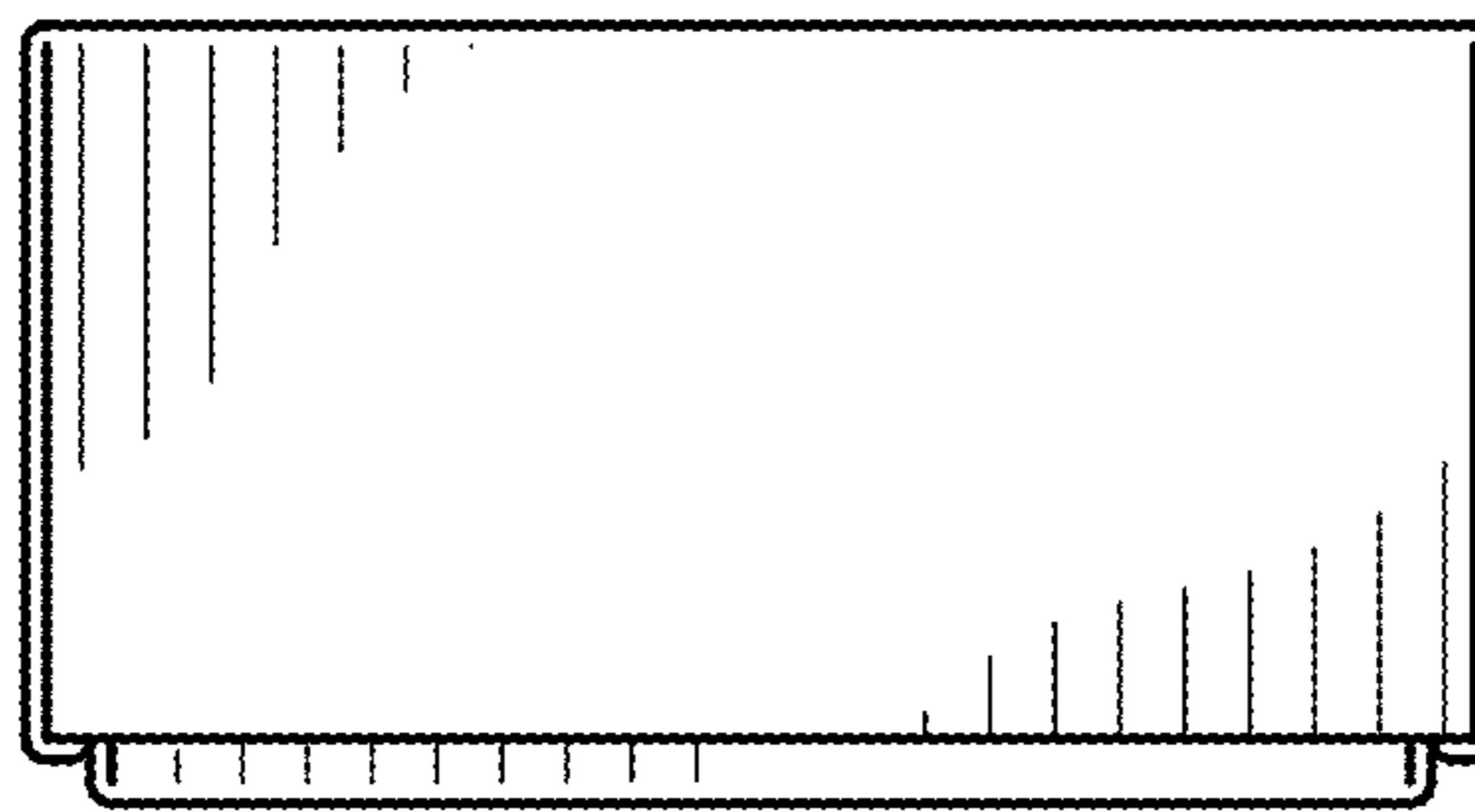


FIG. 9