



US00D698655S

(12) **United States Design Patent**
Juna

(10) **Patent No.:** **US D698,655 S**

(45) **Date of Patent:** **** Feb. 4, 2014**

(54) **BOTTLE**

(71) Applicant: **TricorBraun Inc.**, St. Louis, MO (US)

(72) Inventor: **Samantha Juna**, Carol Stream, IL (US)

(73) Assignee: **TricorBraun, Inc.**, St. Louis, MO (US)

(**) Term: **14 Years**

(21) Appl. No.: **29/451,444**

(22) Filed: **Apr. 2, 2013**

(51) **LOC (10) Cl.** **09-01**

(52) **U.S. Cl.**

USPC **D9/516; D9/574**

(58) **Field of Classification Search**

USPC D9/682, 686-687, 694, 516, 561, 564,
D9/571-574; D6/524, 542; 215/379,
215/381-383; 220/660, 669-673, 675

See application file for complete search history.

(56) **References Cited**

U.S. PATENT DOCUMENTS

D34,316 S * 4/1901 Farnan D9/546
D36,431 S * 7/1903 Hitzl D9/546
D69,772 S * 3/1926 Ritz D9/538

D323,112 S * 1/1992 San-Wittgenstein D9/544
D567,661 S * 4/2008 Behar et al. D9/529
D649,472 S * 11/2011 Bakalis D9/561

* cited by examiner

Primary Examiner — Ian Simmons

Assistant Examiner — Dana L Meyrow

(74) *Attorney, Agent, or Firm* — H. Frederick Rusche;
Husch Blackwell LLP

(57) **CLAIM**

I claim the ornamental design for a bottle, as shown and described.

DESCRIPTION

FIG. 1 is a top perspective view of a bottle showing my new design;

FIG. 2 is a left side elevation view thereof, the right side elevation view being a mirror image;

FIG. 3 is a front elevation view thereof;

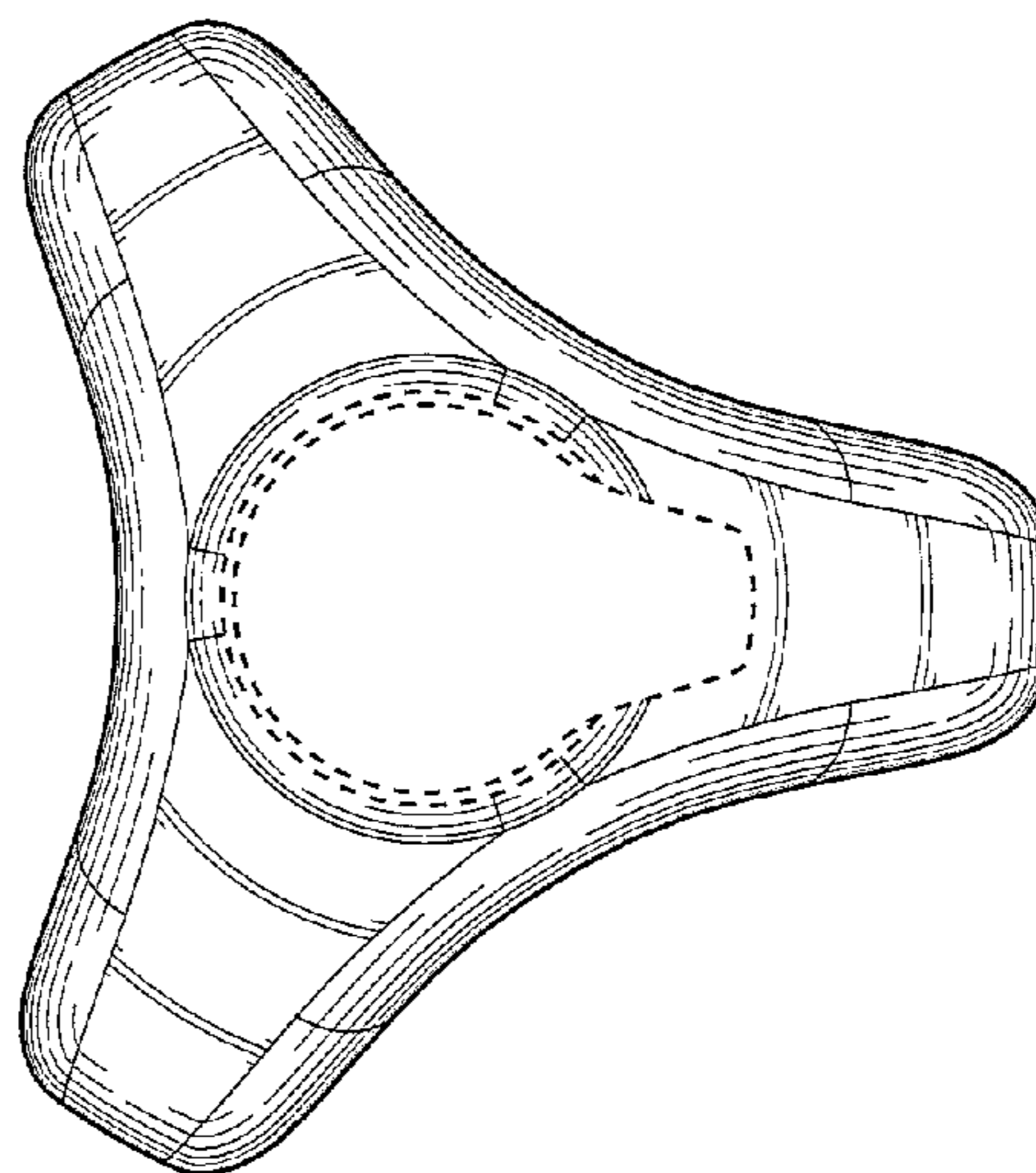
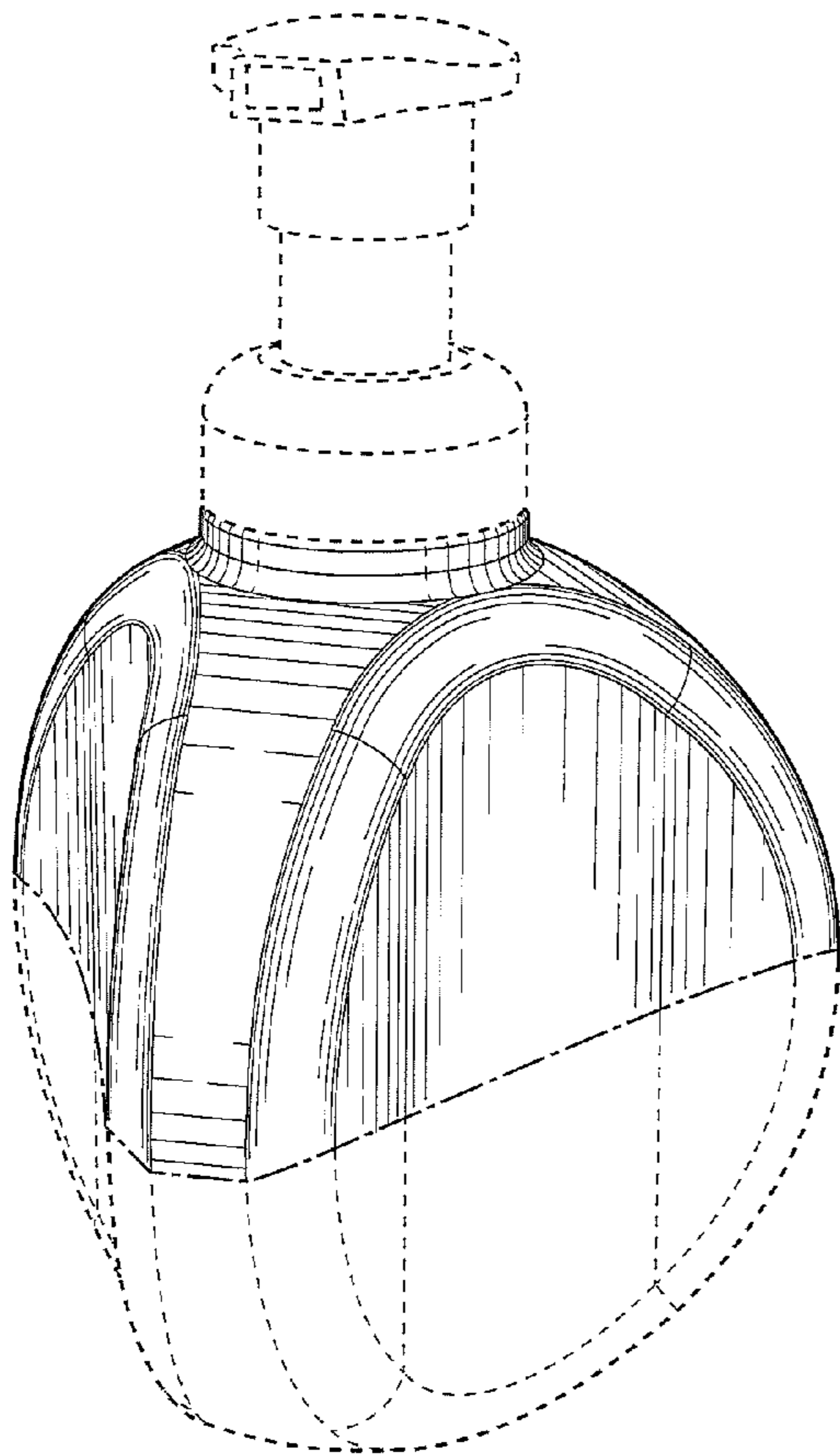
FIG. 4 is a back elevation view thereof;

FIG. 5 is a top view thereof; and,

FIG. 6 is a bottom view thereof.

The evenly dashed broken lines in the drawings illustrate the portions of the design that form no part of the claim. The dot-dot-dash broken lines in the drawings define the lower bounds of the claim and form no part thereof.

1 Claim, 3 Drawing Sheets



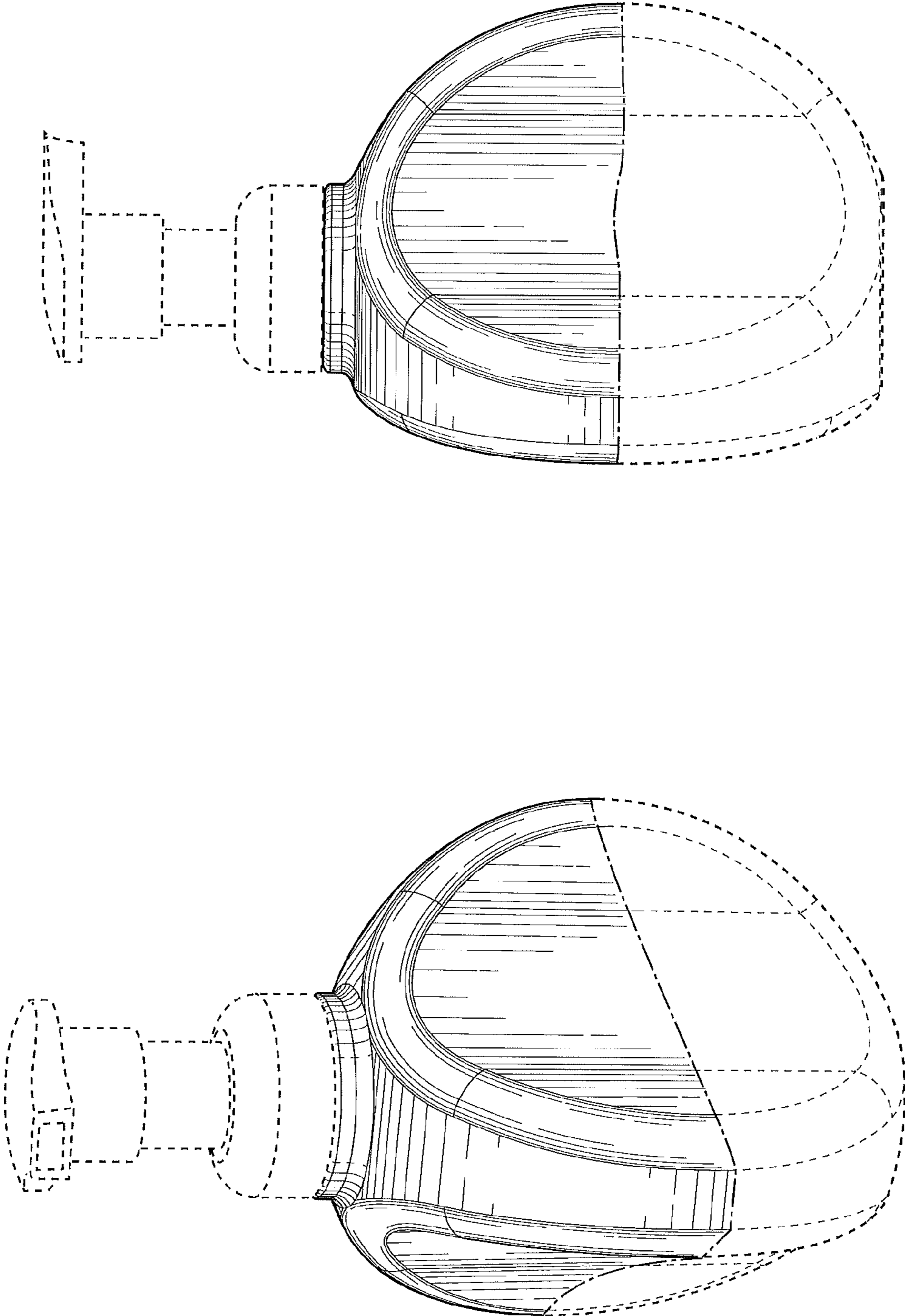


FIG. 2

FIG. 1

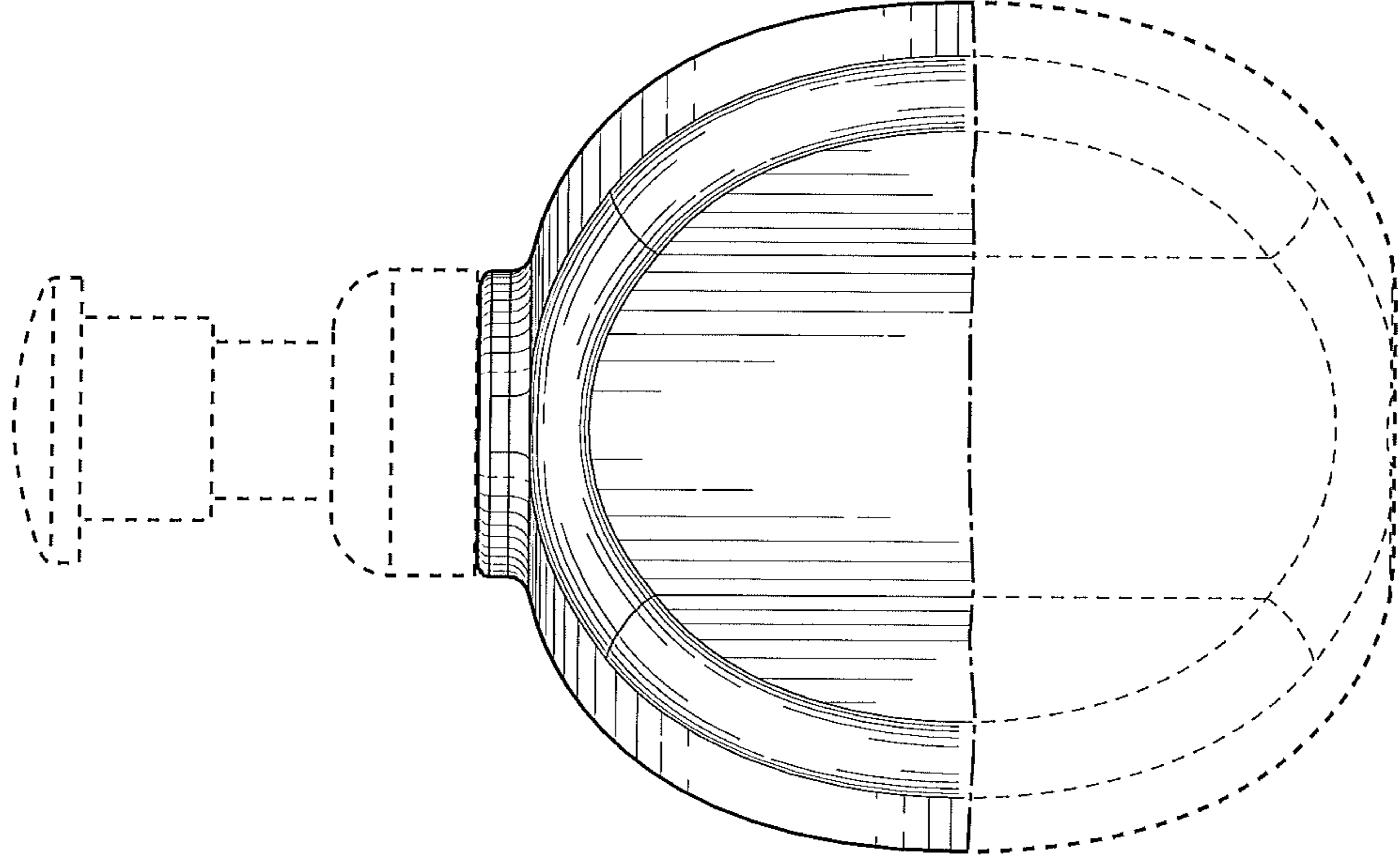


FIG. 4

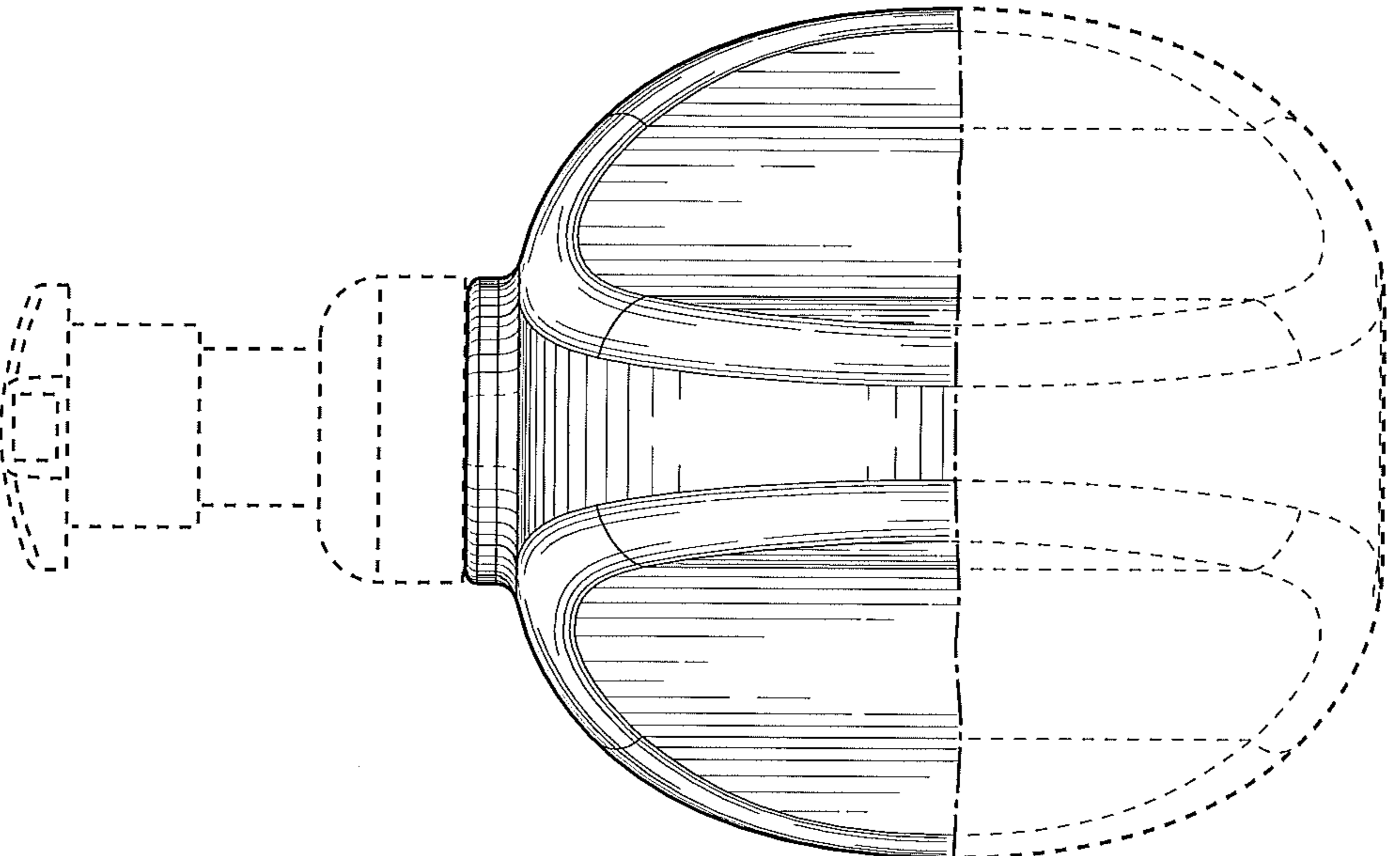


FIG. 3

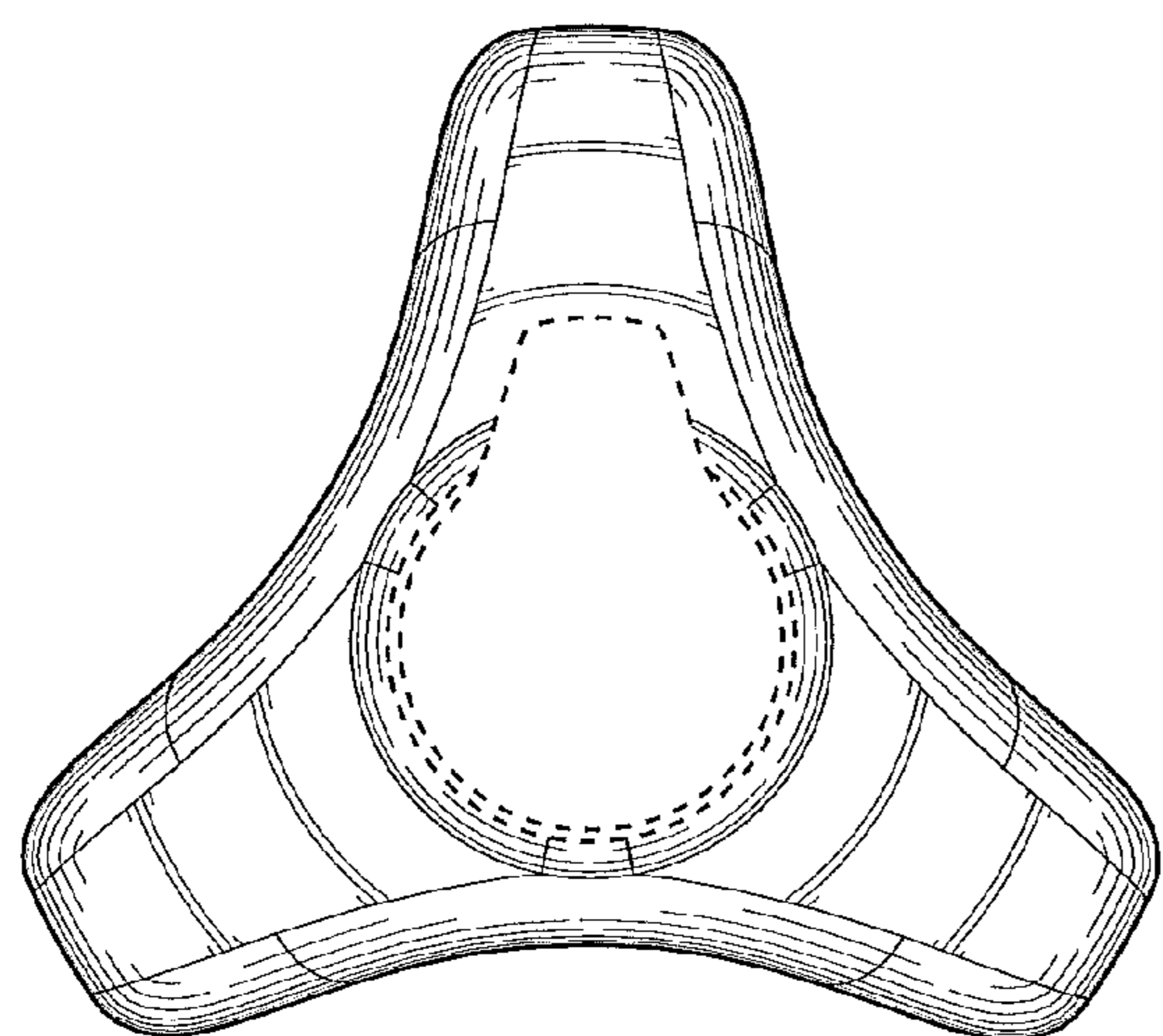


FIG. 5

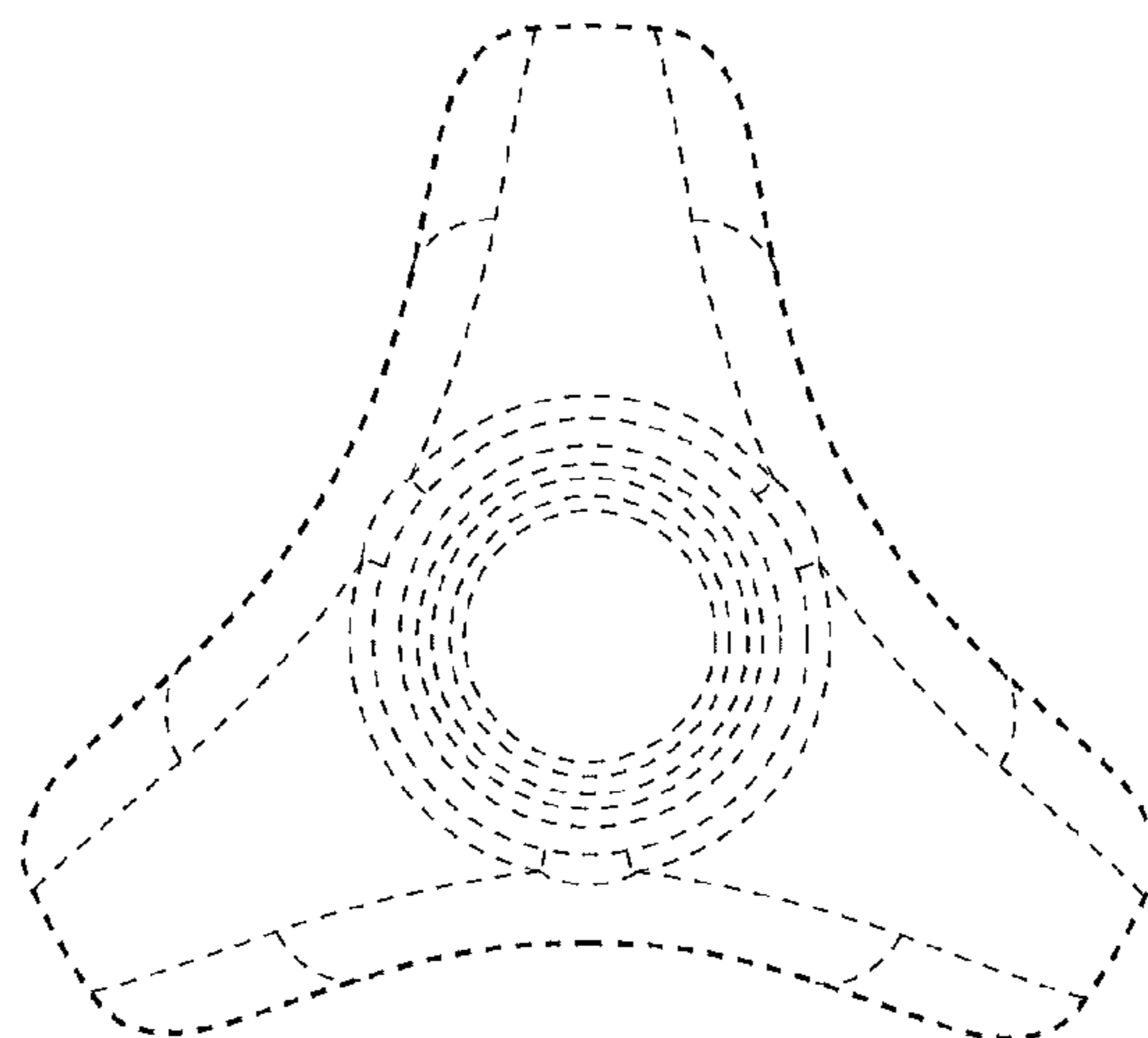


FIG. 6