



US00D698652S

(12) **United States Design Patent**  
**Sommer**

(10) **Patent No.:** **US D698,652 S**  
(45) **Date of Patent:** **\*\* Feb. 4, 2014**

- (54) **BEVERAGE CONTAINER**
- (75) Inventor: **Cody Randall Sommer**, Mooresville, NC (US)
- (73) Assignee: **Stout Brands, LLC**, Kings Mountain, NC (US)
- (\*\*) Term: **14 Years**
- (21) Appl. No.: **29/409,037**
- (22) Filed: **Dec. 20, 2011**
- (51) **LOC (10) Cl.** ..... **09-01**
- (52) **U.S. Cl.**  
USPC ..... **D9/503**; D9/453; D9/454
- (58) **Field of Classification Search**  
USPC ..... D9/682, 686, 688-692, 500, 502-505, D9/516, 529, 544, 549, 558, 574-575, 435, D9/453, 454; 215/379, 381-384; 220/660, 220/662, 669, 675; D7/591, 597, 679; D28/4, 76; D24/219, 224; D27/183, D27/189-190  
  
See application file for complete search history.

D364,003	S	*	11/1995	Benson	.....	D28/7
5,599,567	A	*	2/1997	Gellert	.....	425/526
D385,793	S	*	11/1997	Marsal	.....	D9/503
D389,390	S	*	1/1998	Roberts	.....	D19/65 X
D394,522	S	*	5/1998	Putnam	.....	D27/190
D406,387	S	*	3/1999	Smithy et al.	.....	D27/189
D406,388	S	*	3/1999	Putnam	.....	D27/183 X
D408,099	S	*	4/1999	Putnam	.....	D27/190
D409,330	S	*	5/1999	Putnam	.....	D27/190
D416,353	S	*	11/1999	Fink	.....	D27/190 X
D428,195	S	*	7/2000	Knudsen	.....	D27/183
D457,247	S	*	5/2002	Iheme et al.	.....	D24/224
D644,536	S	*	9/2011	Witz et al.	.....	D9/740
D649,405	S	*	11/2011	Lingo	.....	D7/523
8,057,733	B2	*	11/2011	Begley et al.	.....	264/537
D677,832	S	*	3/2013	Fastuca	.....	D27/189
2006/0204694	A1	*	9/2006	Porter et al.	.....	428/35.7
2007/0042074	A1	*	2/2007	Graetz et al.	.....	425/534
2009/0085261	A1	*	4/2009	Porter et al.	.....	264/537

\* cited by examiner

*Primary Examiner* — Carol P Rademaker  
(74) *Attorney, Agent, or Firm* — Trego, Hines & Ladenheim, PLLC

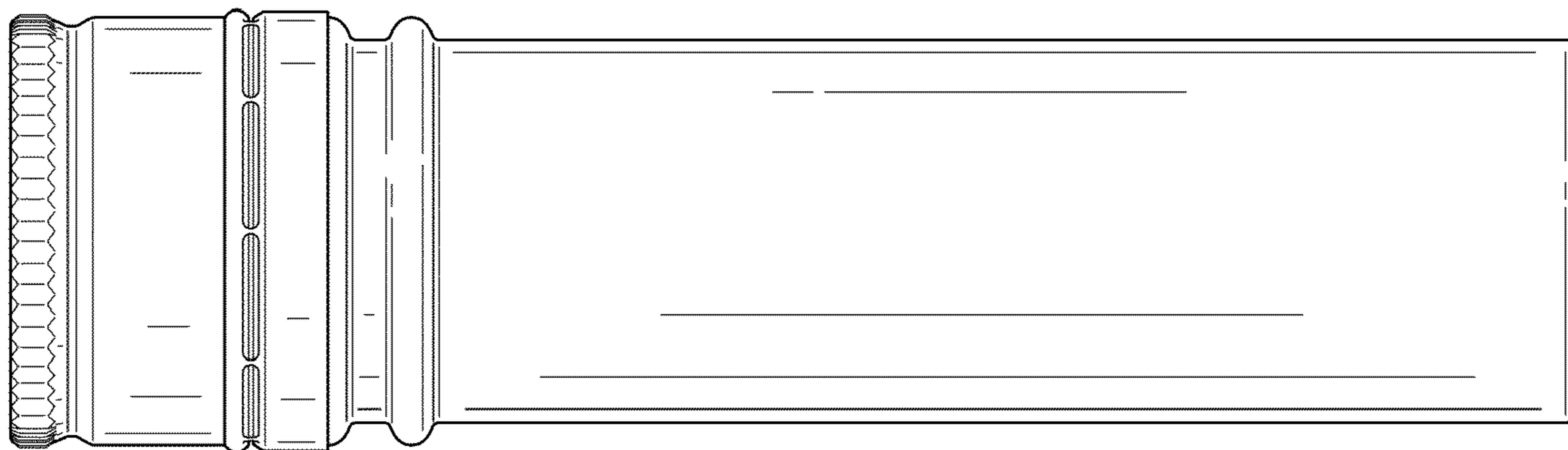
(57) **CLAIM**  
I claim the ornamental design for a beverage container, as shown and described.

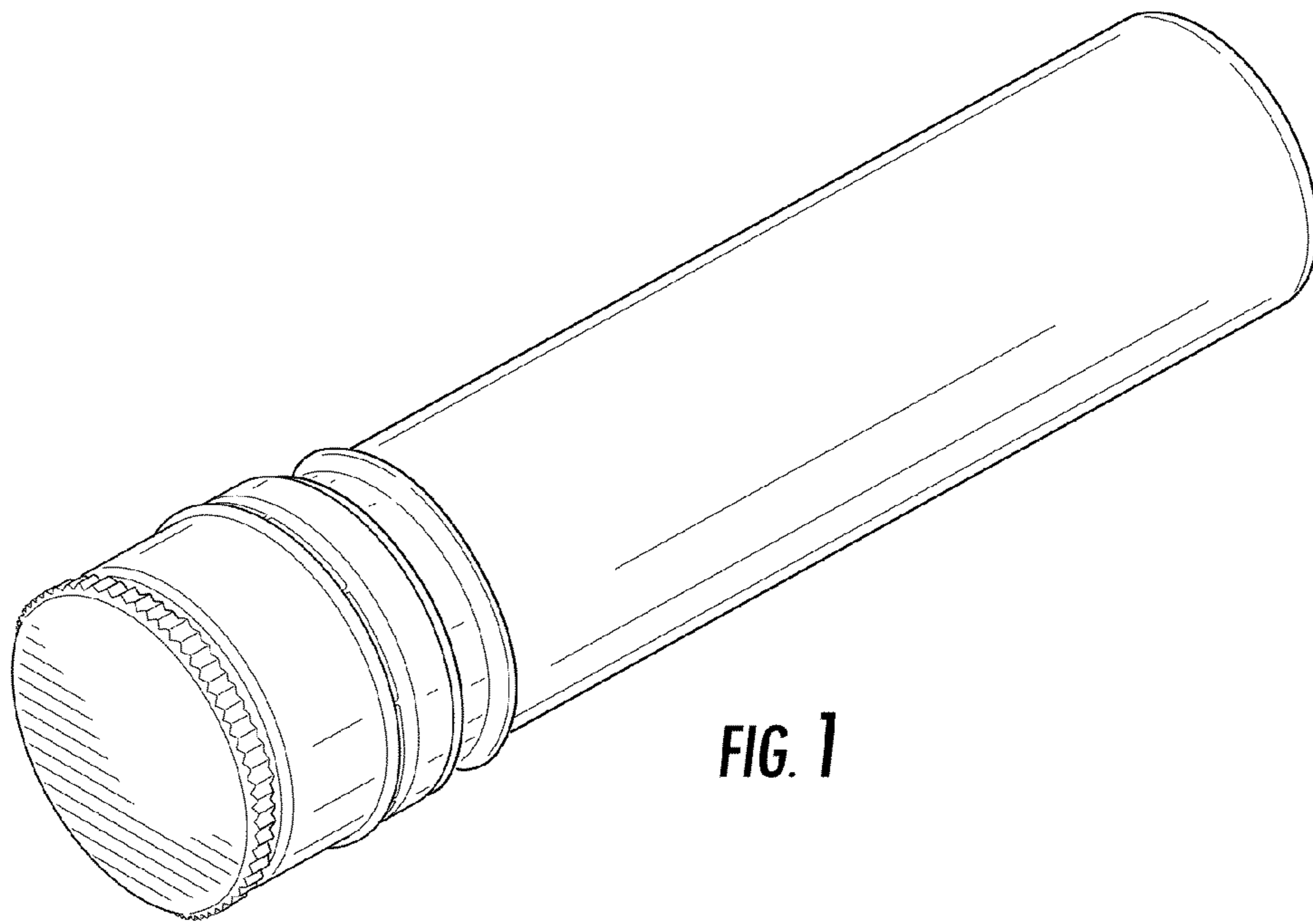
**DESCRIPTION**

FIG. 1 is a top, front perspective view of a beverage container, showing my new design;  
FIG. 2 is a rear elevational view thereof;  
FIG. 3 is a bottom plan view thereof; and,  
FIG. 4 is a top plan view thereof.

**1 Claim, 2 Drawing Sheets**

- (56) **References Cited**  
U.S. PATENT DOCUMENTS  
  
D34,226 S \* 3/1901 Price ..... D9/503  
3,005,564 A \* 10/1961 Weichselbaum ..... 215/353  
D252,612 S \* 8/1979 Mull ..... D24/224  
D256,053 S \* 7/1980 Steigerwald ..... D9/556 X  
D278,653 S \* 4/1985 Savitz et al. .... D24/224 X  
D281,534 S \* 11/1985 Ushikubo ..... D24/224  
D286,072 S \* 10/1986 Miller ..... D24/224





**FIG. 1**

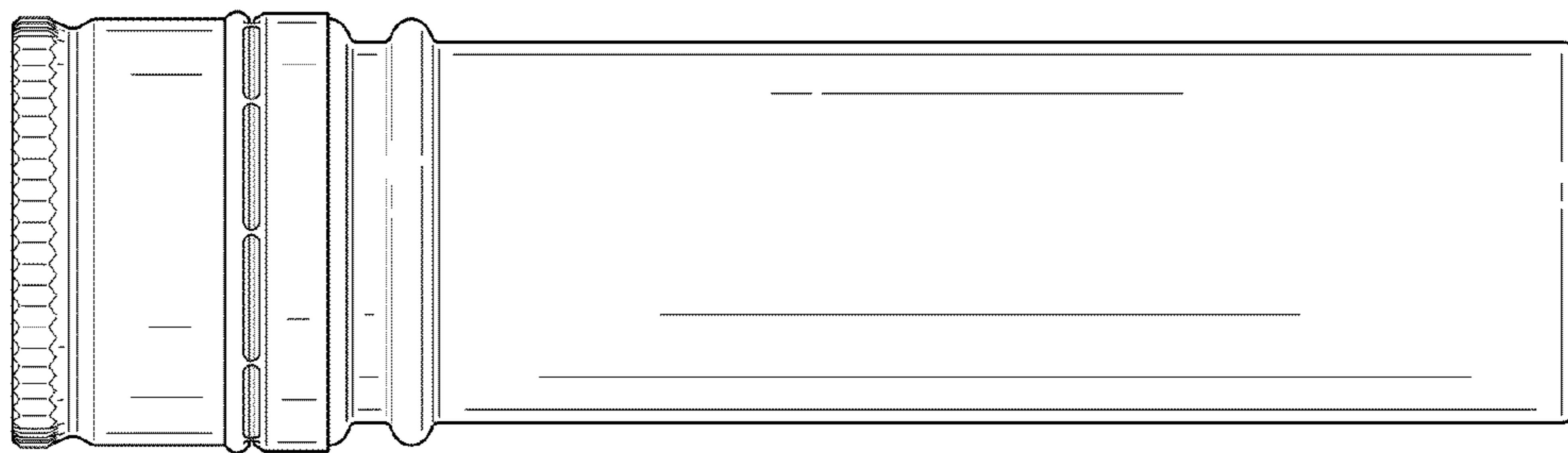


FIG. 2

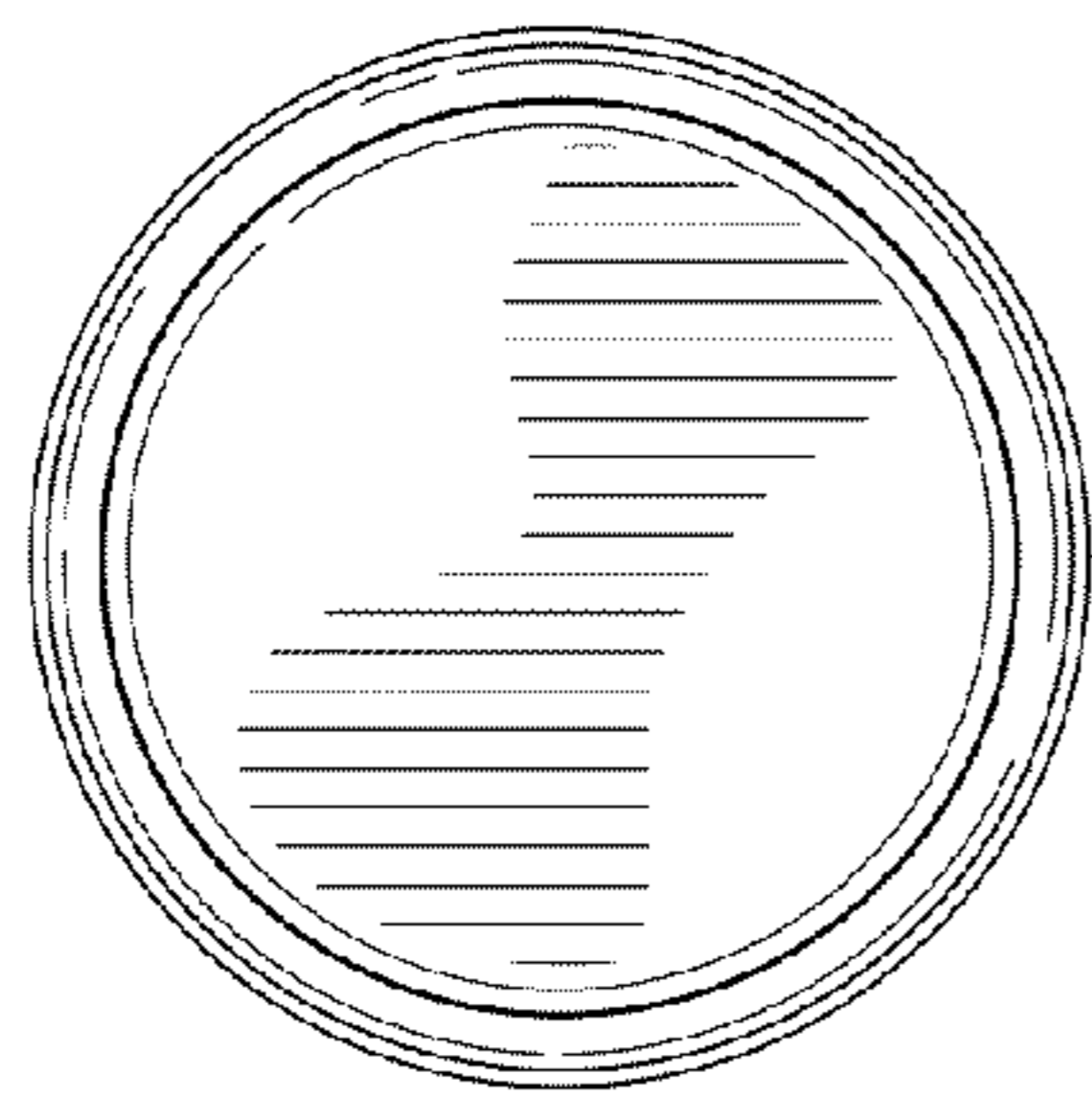


FIG. 3

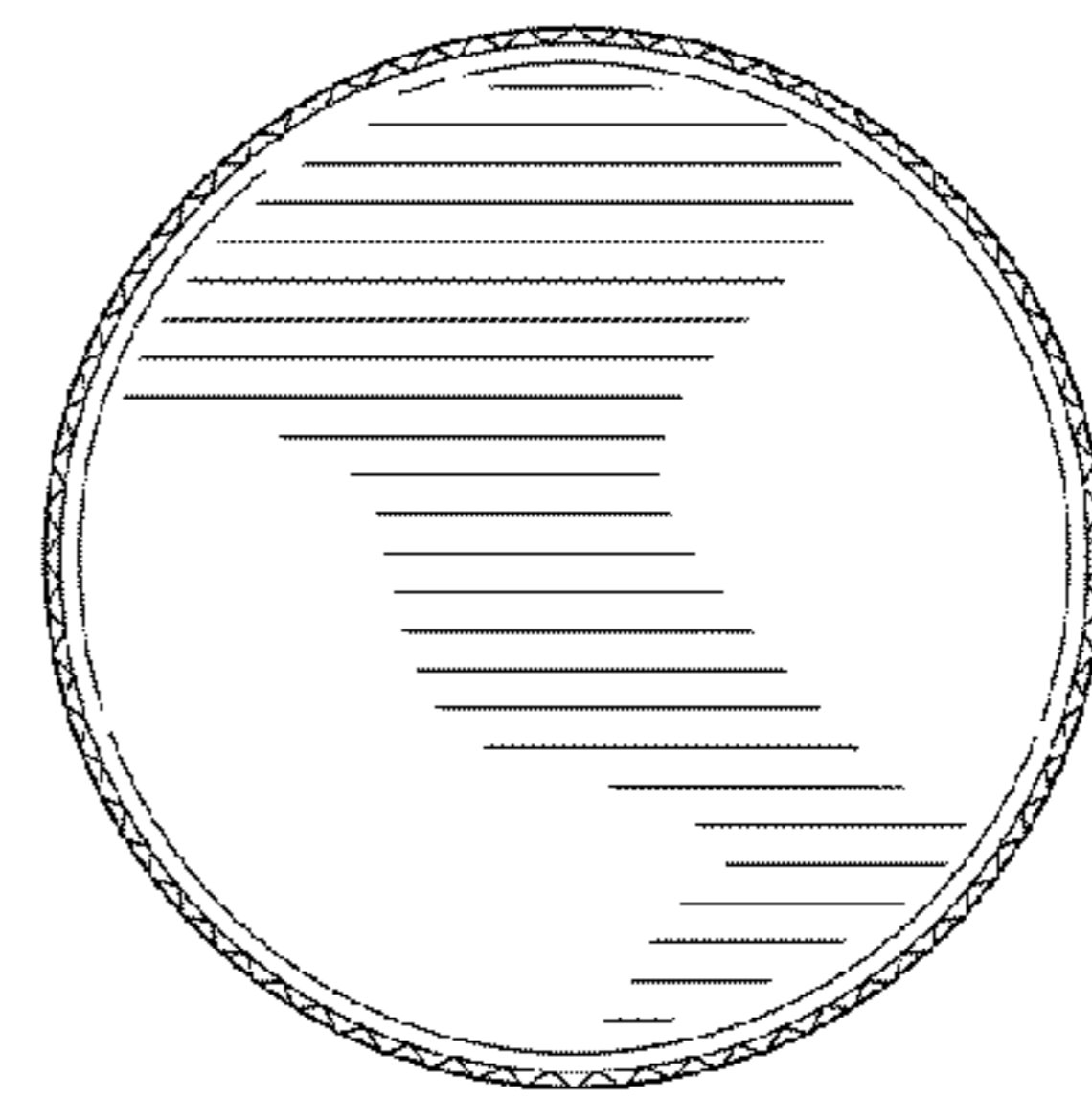


FIG. 4