



US00D698651S

(12) **United States Design Patent**
Sommer

(10) **Patent No.:** **US D698,651 S**
(45) **Date of Patent:** **** Feb. 4, 2014**

- (54) **BEVERAGE CONTAINER**
- (75) Inventor: **Cody Randall Sommer**, Morresville, NC (US)
- (73) Assignee: **Stout Brands, LLC**, Kings Mountain, NC (US)
- (**) Term: **14 Years**
- (21) Appl. No.: **29/409,016**
- (22) Filed: **Dec. 20, 2011**
- (51) **LOC (10) Cl.** **09-01**
- (52) **U.S. Cl.**
USPC **D9/503**; D9/521; D9/453; D9/454
- (58) **Field of Classification Search**
USPC D9/682, 686, 688-692, 500, 502-505, D9/516, 529, 544, 549, 558, 574-575, 435, D9/453, 454; 215/379, 381-384; 220/660, 220/662, 669, 675; D7/591, 597, 679; D28/4, 76; D24/219, 224; D27/183, D27/189-190
See application file for complete search history.

5,599,567	A *	2/1997	Gellert	425/526
D436,183	S *	1/2001	Stevens et al.	D24/224
D457,247	S *	5/2002	Iheme et al.	D24/224
D607,731	S *	1/2010	Soliman	D9/558 X
D615,362	S *	5/2010	Handel	D7/510 X
D644,536	S *	9/2011	Witz et al.	D9/740
8,057,733	B2 *	11/2011	Begley et al.	264/537
D650,088	S *	12/2011	Motadel	D24/224
8,211,520	B2 *	7/2012	Abe et al.	428/36.9
D677,832	S *	3/2013	Fastuca	D27/189
2003/0106874	A1 *	6/2003	White et al.	215/317
2003/0138578	A1 *	7/2003	Schmidt et al.	428/35.7
2006/0204694	A1 *	9/2006	Porter et al.	428/35.7
2008/0038500	A1 *	2/2008	Page et al.	428/36.92
2009/0085261	A1 *	4/2009	Porter et al.	264/537
2011/0100946	A1 *	5/2011	Perra	215/40
2011/0108505	A1 *	5/2011	Toyoda et al.	215/12.2
2012/0031869	A1 *	2/2012	Bauer	215/6

* cited by examiner

Primary Examiner — Carol P Rademaker
(74) *Attorney, Agent, or Firm* — Trego, Hines & Ladenheim, PLLC

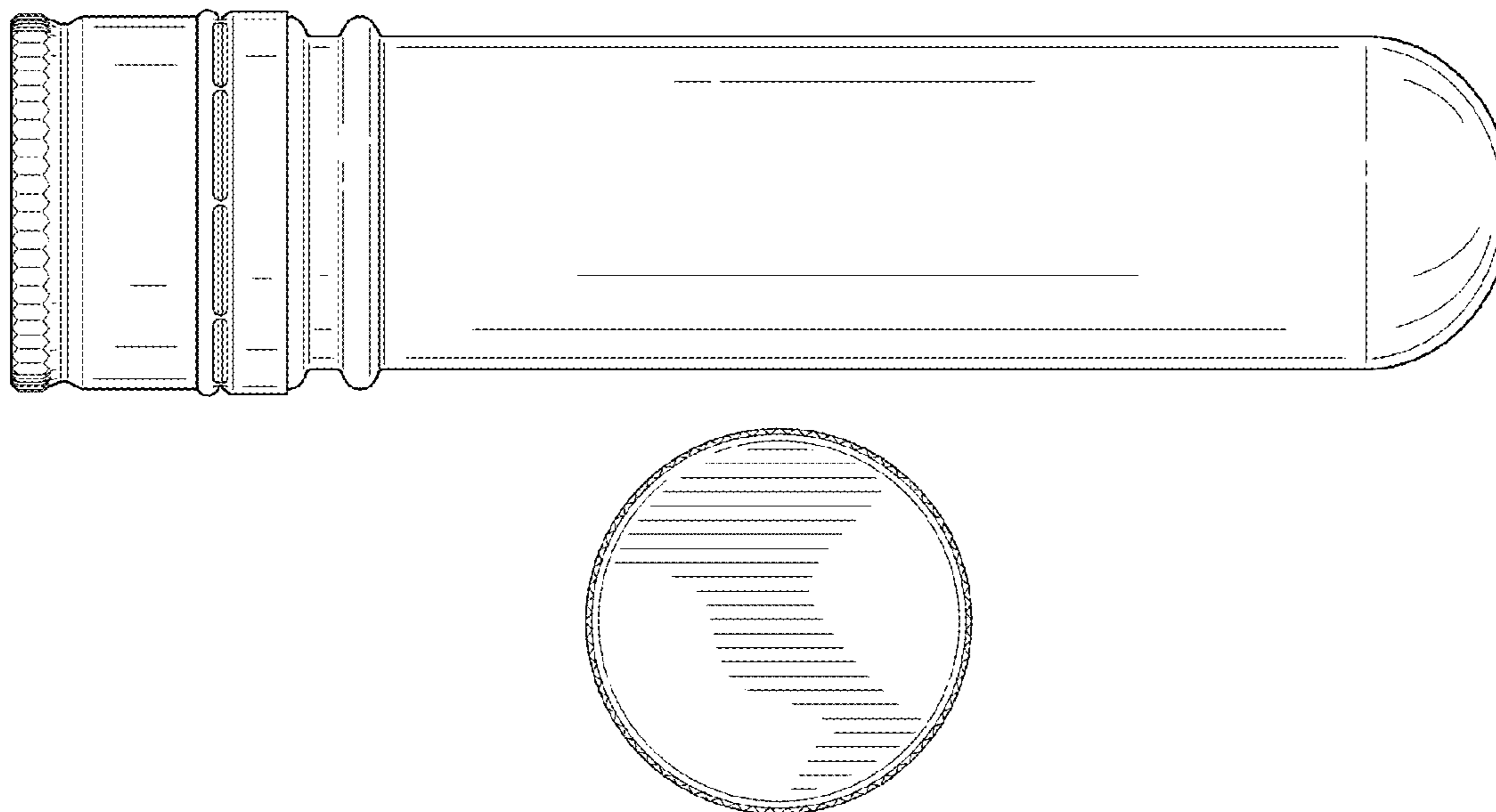
(57) **CLAIM**
I claim the ornamental design for a beverage container, as shown and described.

- (56) **References Cited**
U.S. PATENT DOCUMENTS
D34,226 S * 3/1901 Price D9/503
3,005,564 A * 10/1961 Weichselbaum 215/353
D311,249 S * 10/1990 Kasai D24/224 X
D318,728 S * 7/1991 Braune D24/224
5,160,413 A * 11/1992 Allison 203/35
D354,907 S * 1/1995 Rosen D9/521 X

DESCRIPTION

FIG. 1 is a top, front perspective view of a beverage container, showing my new design;
FIG. 2 is a rear elevational view thereof;
FIG. 3 is a bottom plan view thereof; and,
FIG. 4 is a top plan view thereof.

1 Claim, 2 Drawing Sheets



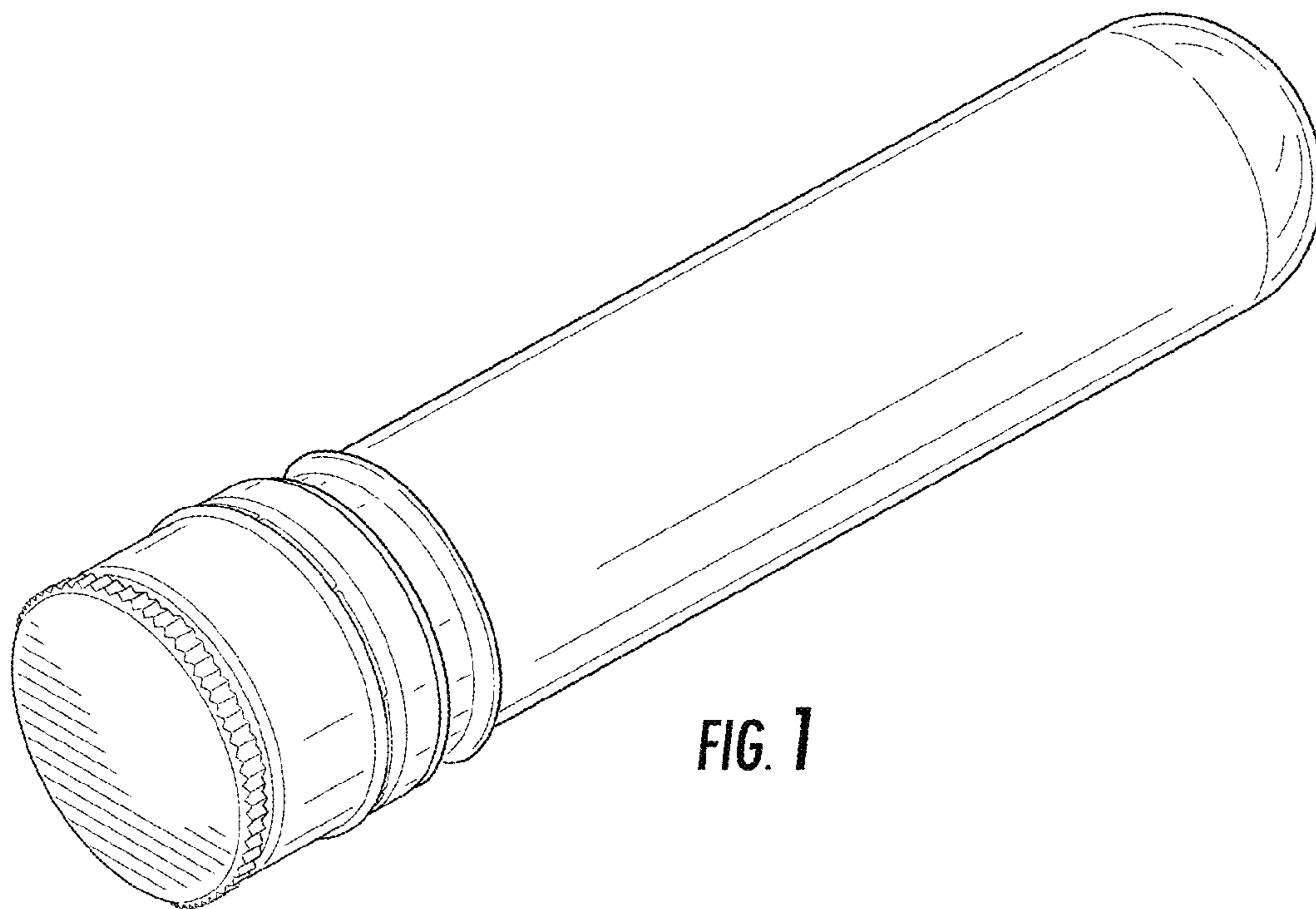


FIG. 1

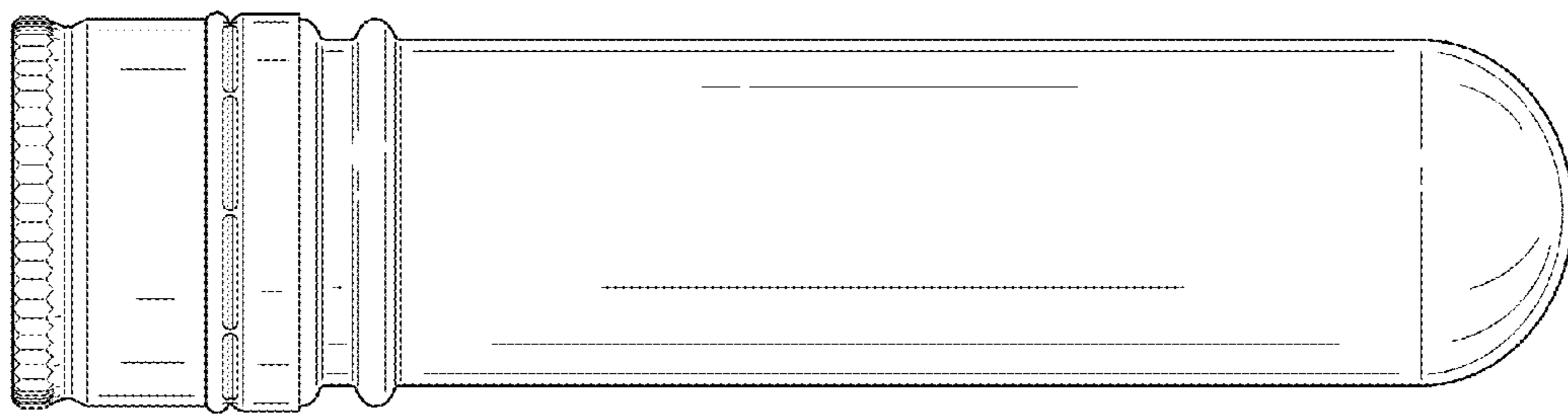


FIG. 2

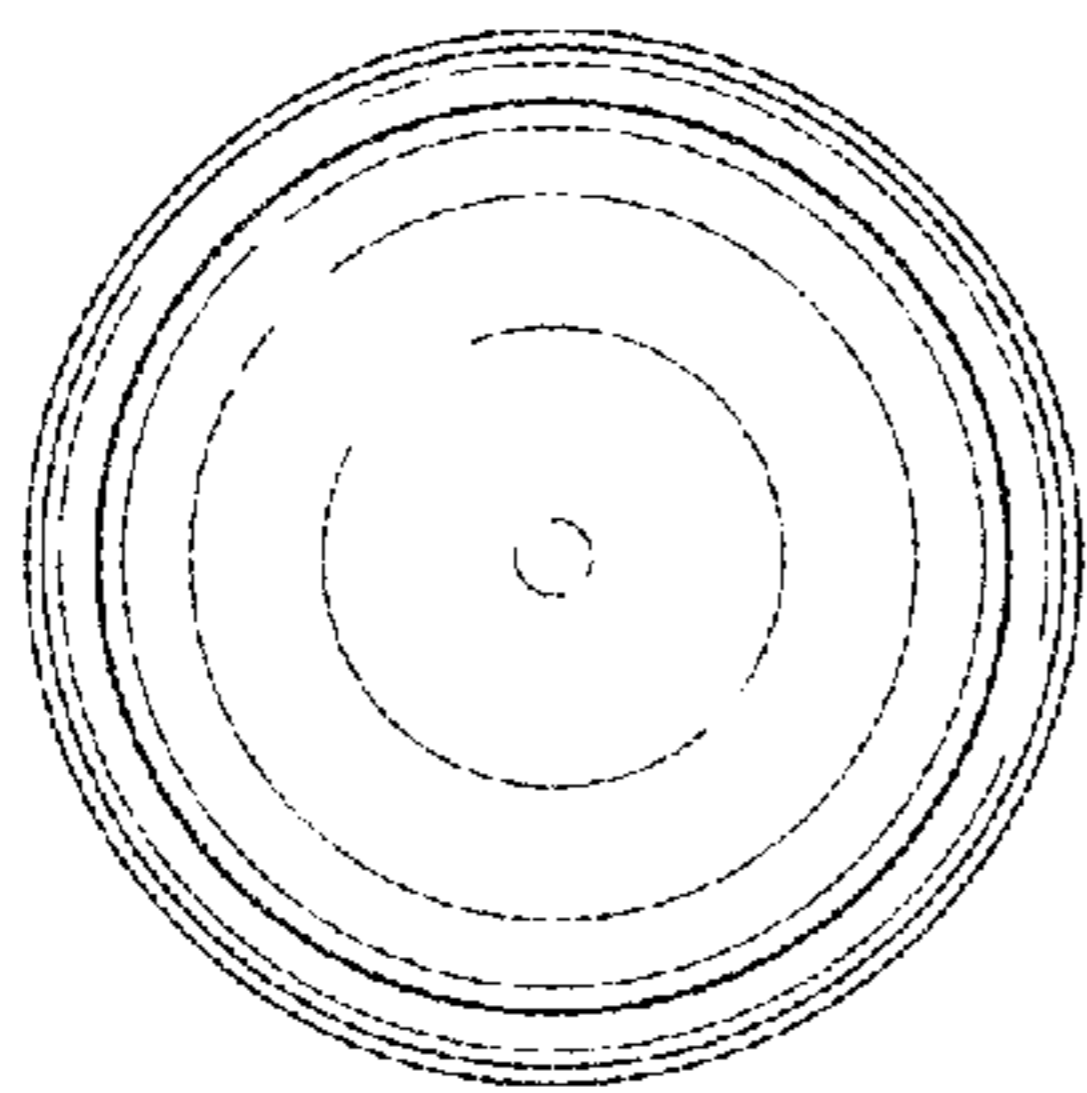


FIG. 3



FIG. 4