

US00D698649S

(12) **United States Design Patent**  
**Quint**

(10) **Patent No.:** **US D698,649 S**  
(45) **Date of Patent:** **\*\* Feb. 4, 2014**

(54) **CONTAINER**

(71) Applicant: **Rodney E. Quint**, New London, WI (US)

(72) Inventor: **Rodney E. Quint**, New London, WI (US)

(73) Assignee: **Trilliant Food And Nutrition, LLC**, Little Chute, WI (US)

(\*\*) Term: **14 Years**

(21) Appl. No.: **29/449,586**

(22) Filed: **Mar. 15, 2013**

(51) **LOC (10) Cl.** ..... **09-01**

(52) **U.S. Cl.**  
USPC ..... **D9/500; D9/428; D9/520; D7/400; D7/523**

(58) **Field of Classification Search**  
USPC ..... D9/428, 500, 502-503, 505, 516, 549, D9/558; D7/602, 630, 509, 523, 540, 584, D7/603, 400; D11/152; D26/6, 9-10, 22; D30/129; 99/279, 295, 323; 206/499, 206/509; 426/77-79, 84, 433; 215/379, 215/382; 220/660, 669-673, 675  
See application file for complete search history.

(56) **References Cited**

**U.S. PATENT DOCUMENTS**

2,614,727 A \* 10/1952 Robinson ..... 220/780  
5,325,765 A 7/1994 Sylvan et al.  
5,840,189 A 11/1998 Sylvan et al.  
D452,434 S \* 12/2001 Sweeney ..... D9/429

D474,110 S 5/2003 Sweeney  
D474,111 S 5/2003 Lazaris  
6,645,537 B2 11/2003 Sweeney et al.  
6,810,788 B2 \* 11/2004 Hale ..... 99/295  
D577,288 S \* 9/2008 Wilson et al. .... D9/500  
D606,363 S \* 12/2009 Aardenburg ..... D7/400  
D607,329 S \* 1/2010 Diss ..... D9/500  
2009/0200301 A1 \* 8/2009 Beekman et al. .... 220/4.27  
2010/0064899 A1 3/2010 Aardenburg  
2010/0303964 A1 12/2010 Beaulieu et al.  
2012/0171332 A1 \* 7/2012 Lai et al. .... 426/78

\* cited by examiner

*Primary Examiner* — Ian Simmons

*Assistant Examiner* — Dana L Meyrow

(74) *Attorney, Agent, or Firm* — Quarles & Brady LLP

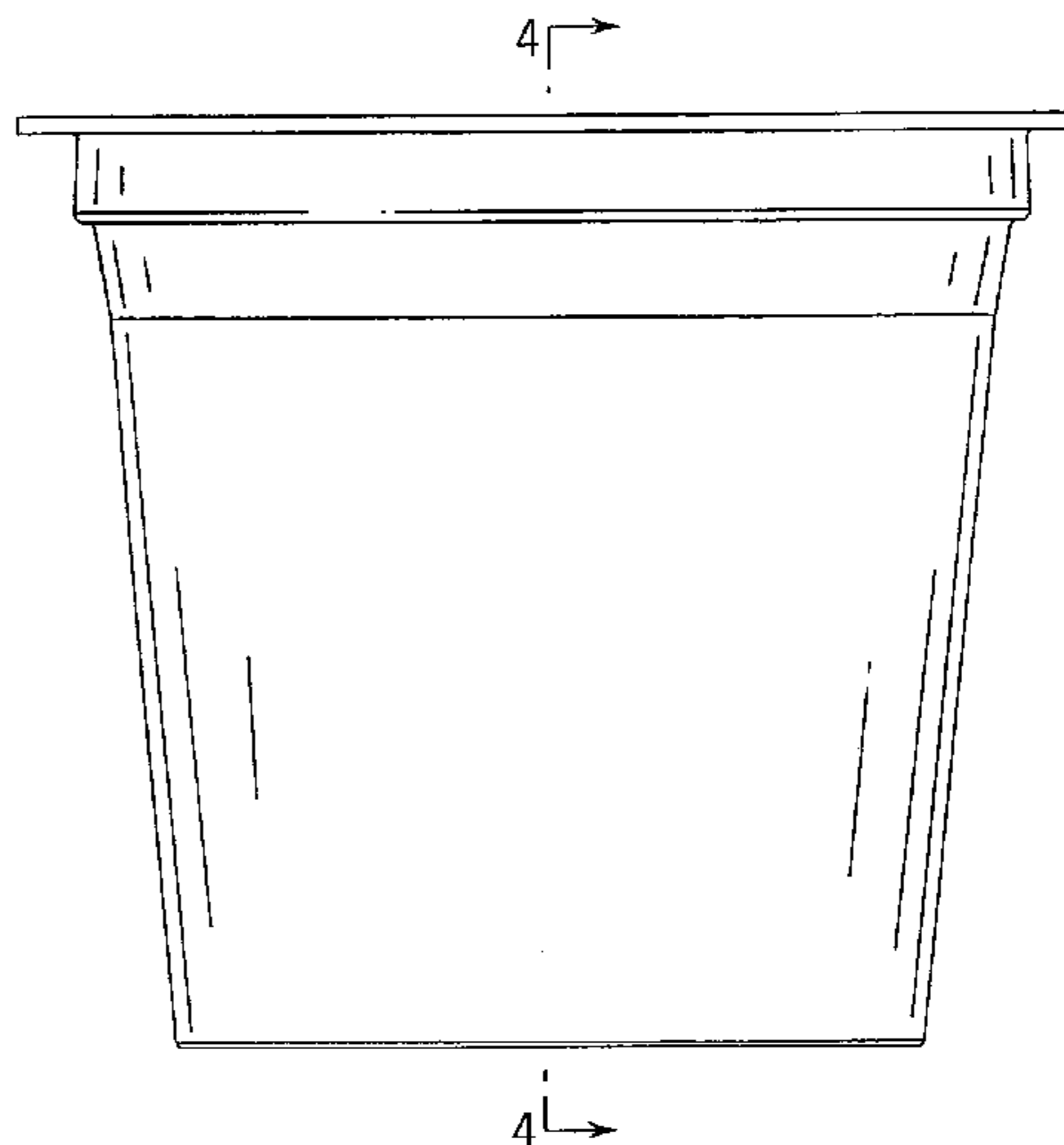
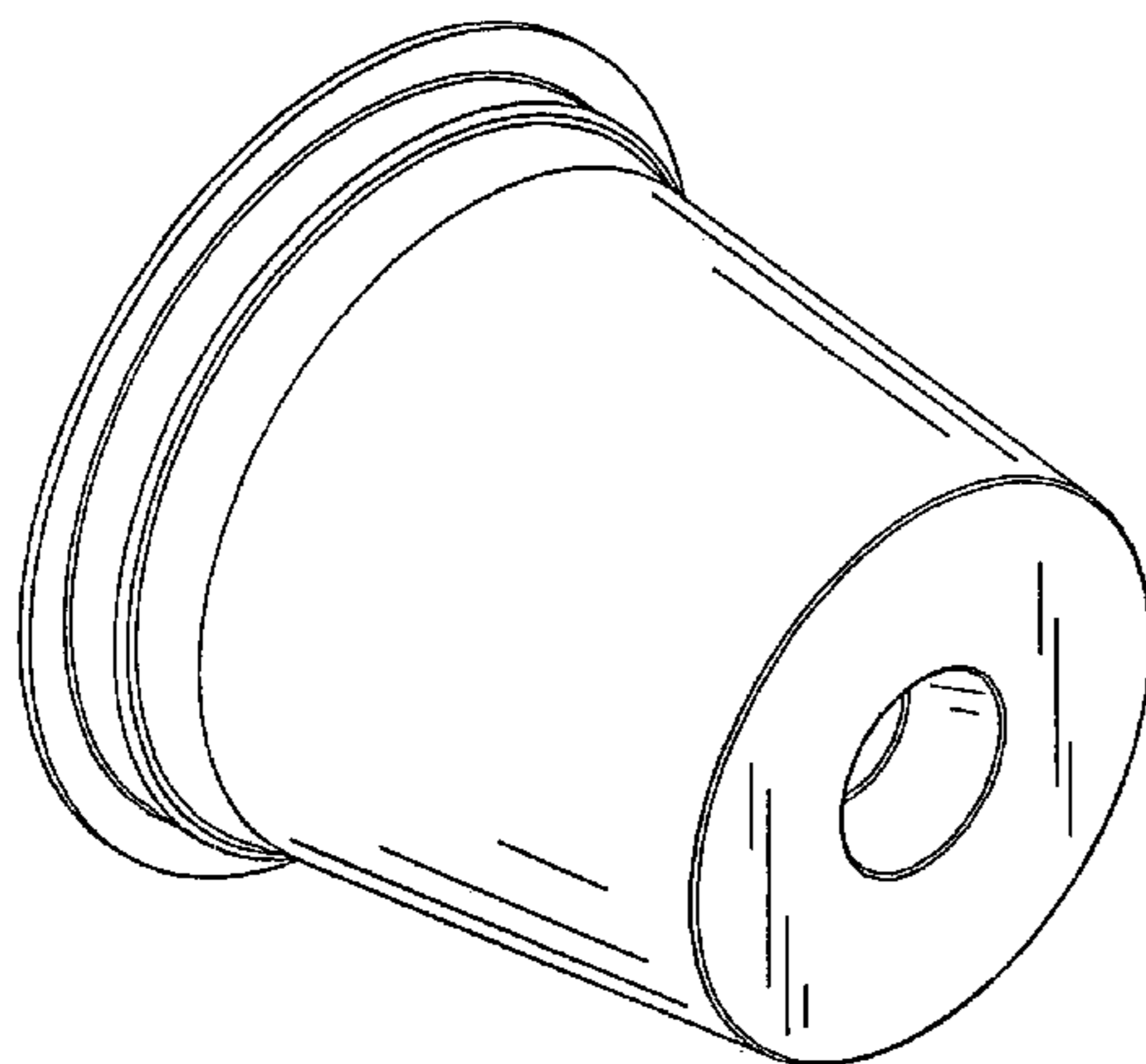
(57) **CLAIM**

I claim the ornamental design for a container, as shown and described.

**DESCRIPTION**

FIG. 1 is a bottom perspective view of a container showing our new design;  
FIG. 2 is a top perspective view thereof;  
FIG. 3 is a front elevation view thereof, the left side, right side and rear elevations being identical;  
FIG. 4 is a cross-section view taken along the line 4-4 in FIG. 3;  
FIG. 5 is a top plan view of a container of FIGS. 1-3; and  
FIG. 6 is a bottom plan view thereof.  
The claimed design is used as packaging for coffee and a coffee filter for use as a refill cartridge in a single serve-type coffee maker.

**1 Claim, 5 Drawing Sheets**



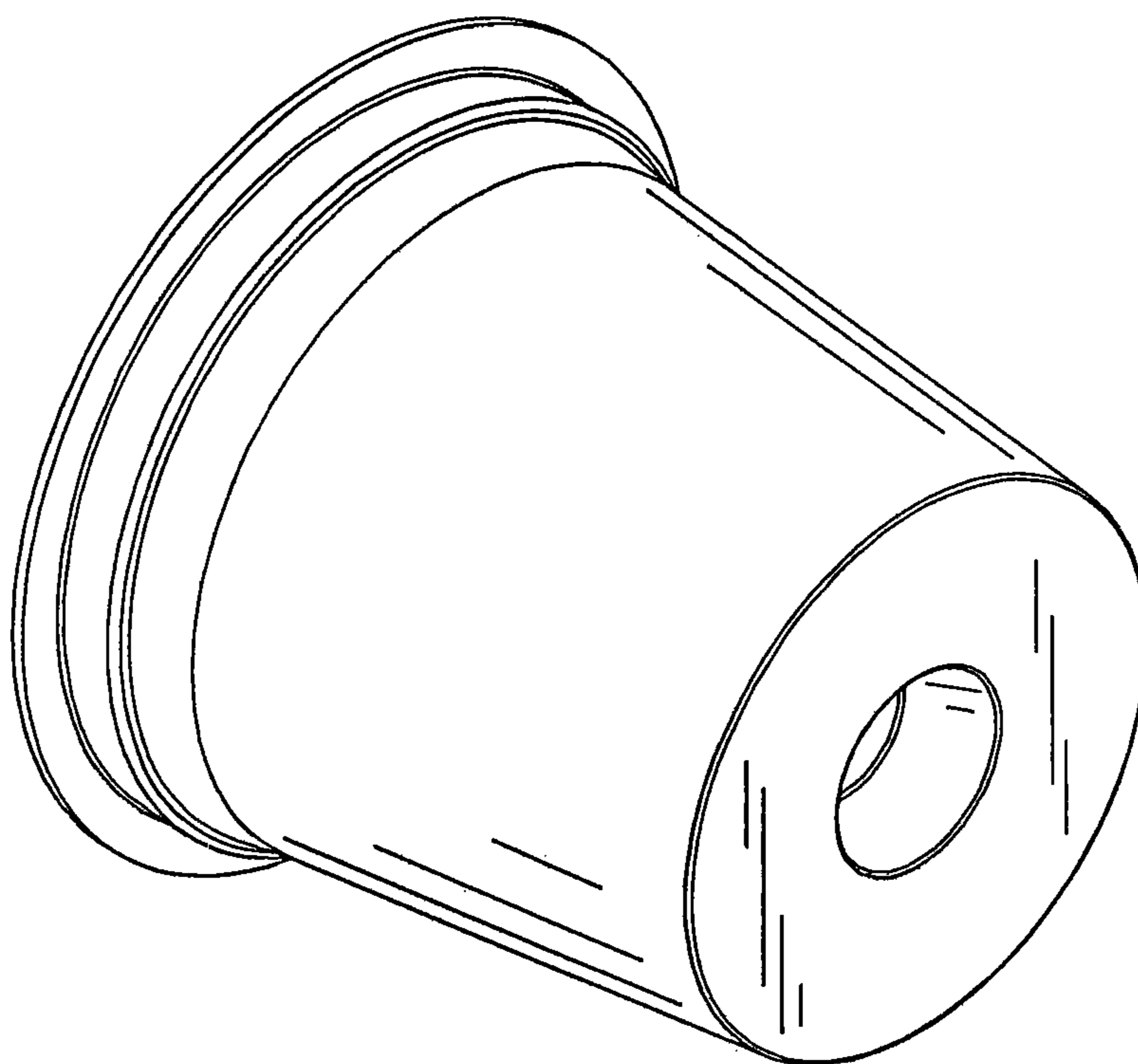


FIG. 1

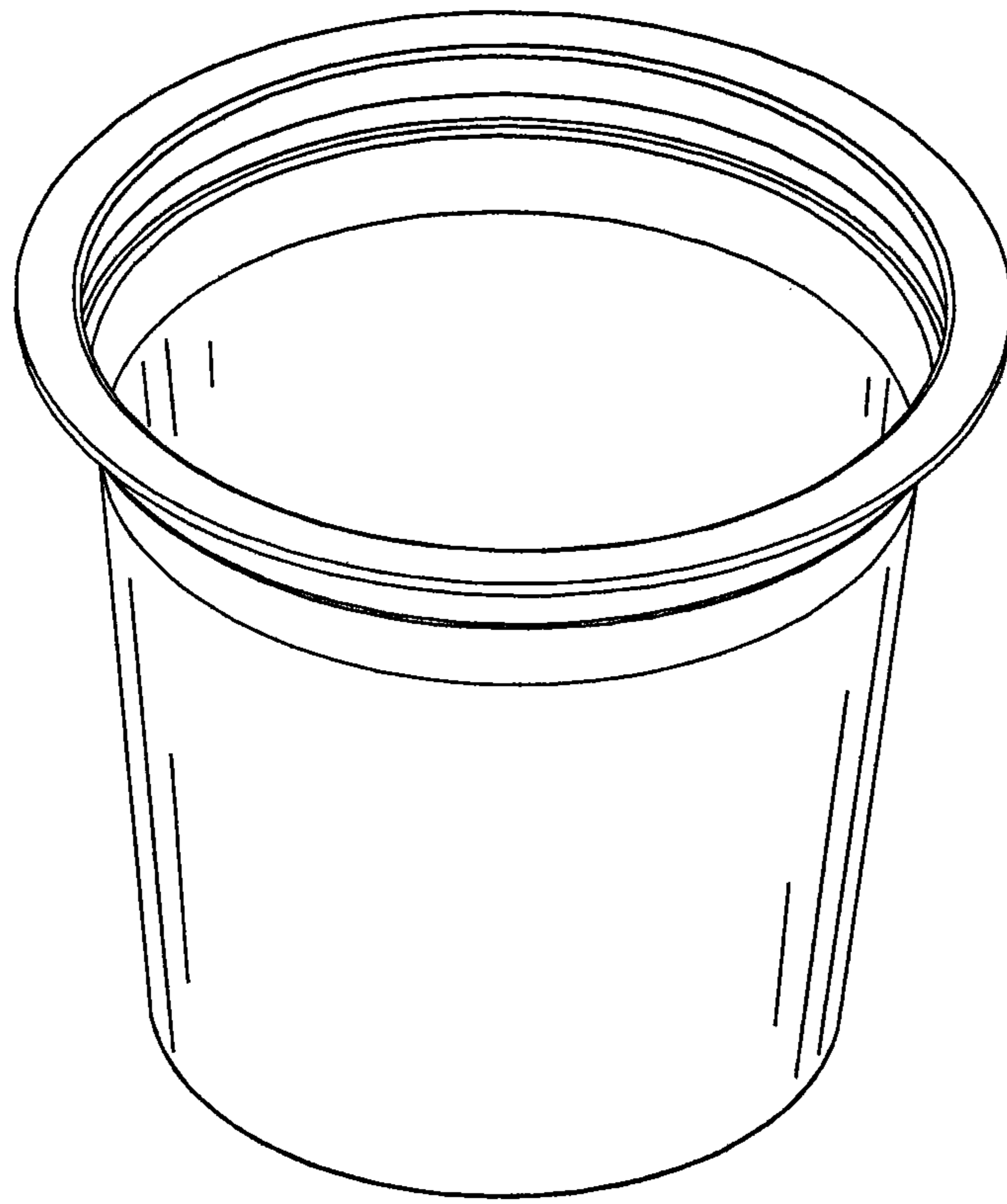


FIG. 2

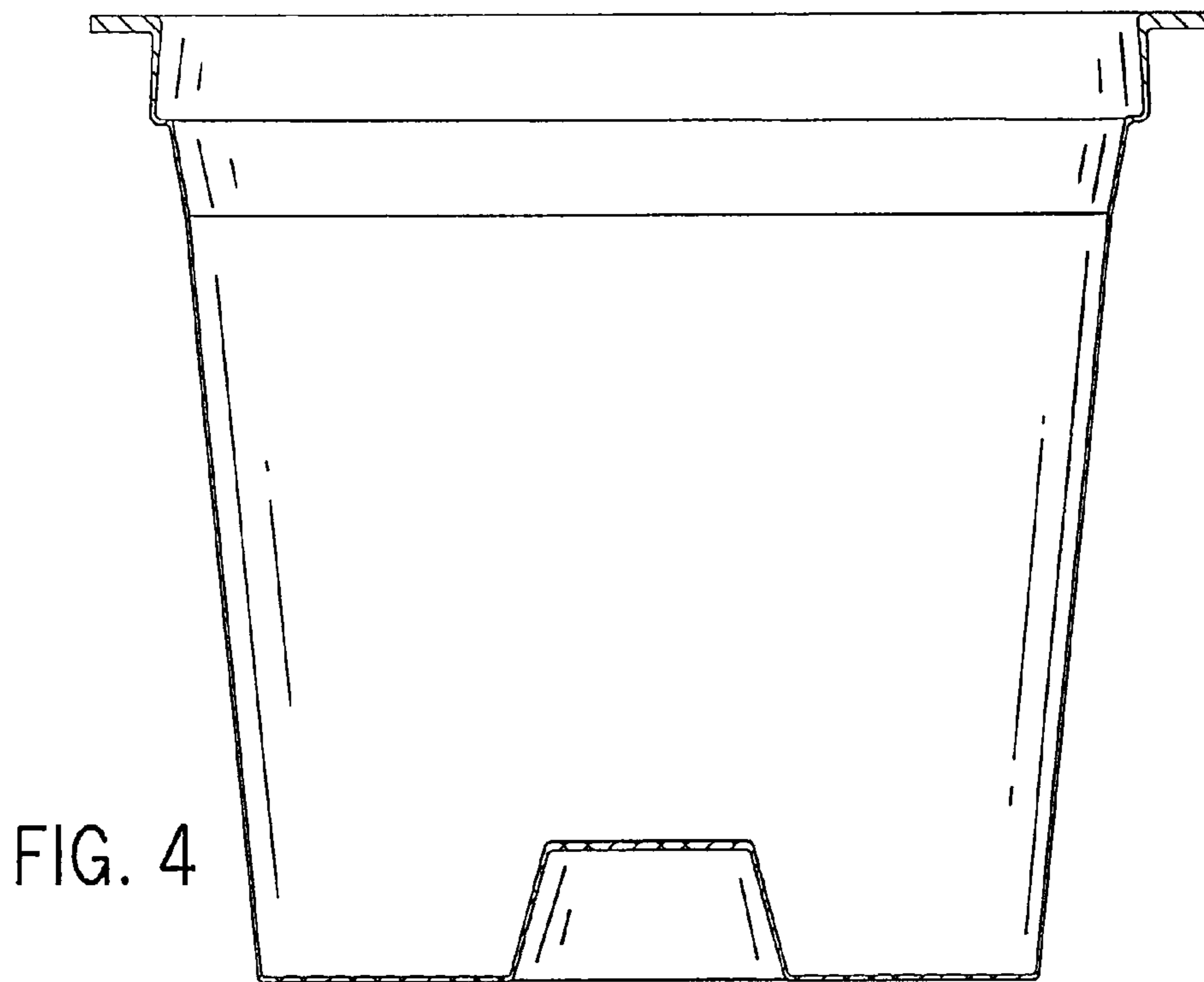
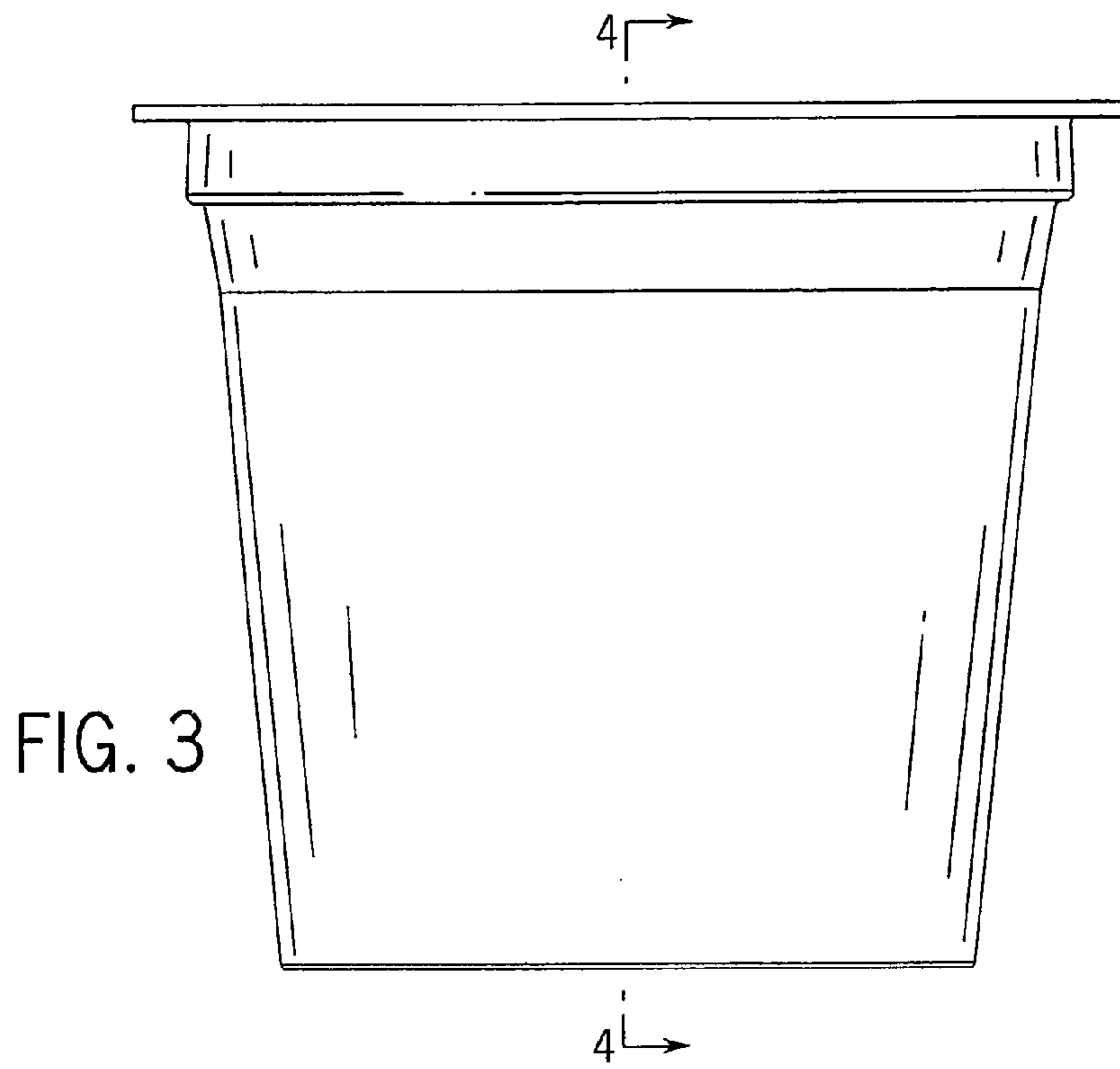


FIG. 5

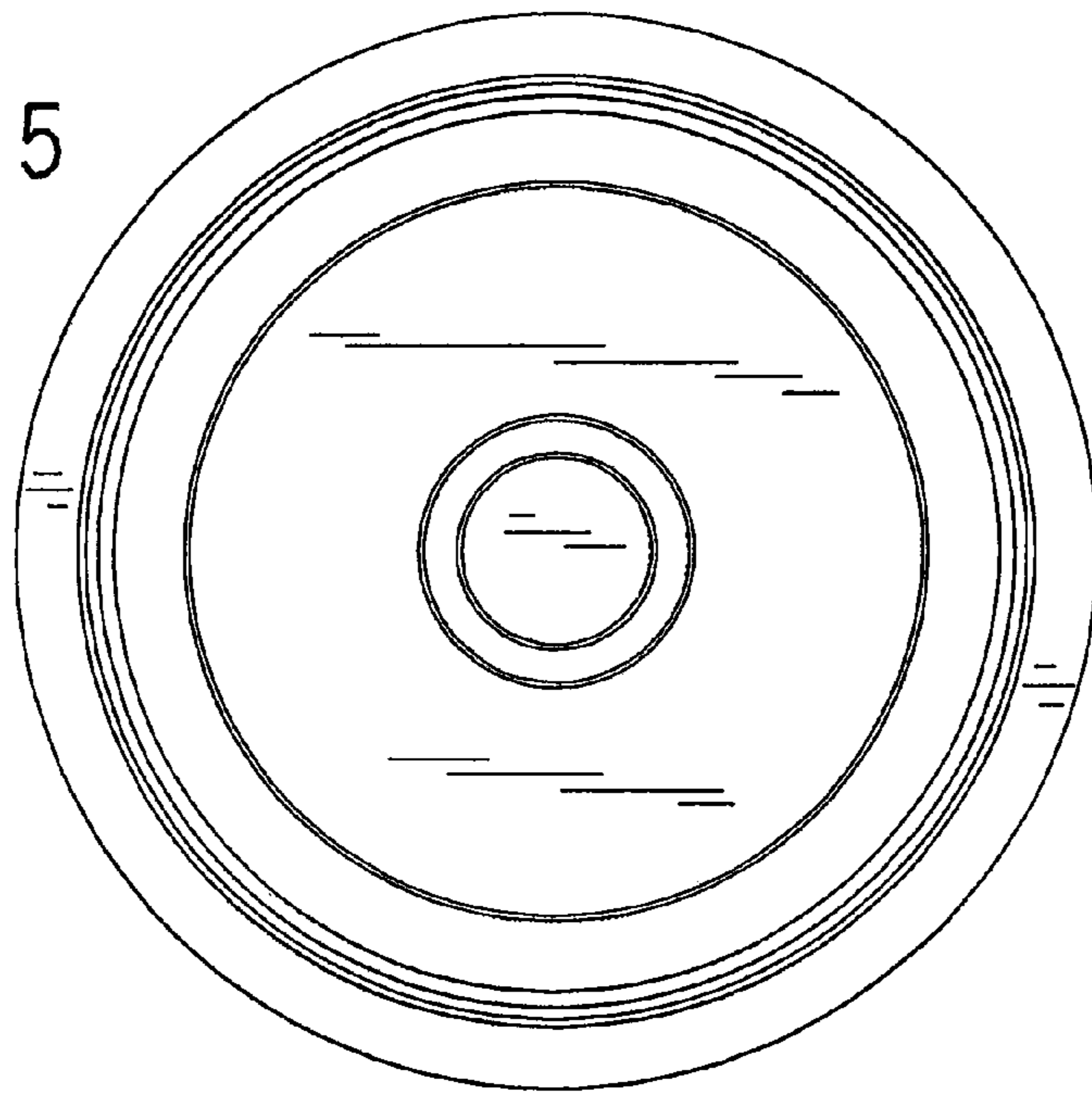


FIG. 6

