



US00D698646S

(12) **United States Design Patent**
Paredes et al.

(10) **Patent No.:** **US D698,646 S**

(45) **Date of Patent:** **** Feb. 4, 2014**

(54) **CONTAINER**

(75) Inventors: **Raul M. Paredes**, Perrysburg, OH (US);
Edward A. Grant, Northwood, OH
(US); **Donald P. Delagrange**,
Lambertville, MI (US)

(73) Assignee: **Owens-Brockway Glass Container
Inc.**, Perrysburg, OH (US)

(**) Term: **14 Years**

(21) Appl. No.: **29/405,129**

(22) Filed: **Oct. 28, 2011**

(51) **LOC (10) Cl.** **09-01**

(52) **U.S. Cl.**
USPC **D9/500**; D9/502; D9/539; D9/550;
D9/557

(58) **Field of Classification Search**
USPC D9/434-435, 447, 500, 502-505, 516,
D9/537, 539, 549, 550, 558, 240, 575;
D3/203.2; D24/115, 224; 206/540,
206/828; 215/40-46; 221/303; 222/540,
222/572, 574-575

See application file for complete search history.

(56) **References Cited**

U.S. PATENT DOCUMENTS

2,135,330 A * 11/1938 Desser 222/572
D188,074 S * 5/1960 Wunderly D9/500
3,285,452 A * 11/1966 Moloney et al. 215/293
D210,352 S * 3/1968 Fuerst D9/500
D236,429 S * 8/1975 Strand D9/501

D242,527 S * 11/1976 Plummer D9/500
D264,182 S * 5/1982 Kemp et al. D9/503
D422,915 S * 4/2000 Hestehave et al. D9/500
D425,793 S * 5/2000 Walker D9/503
6,059,153 A * 5/2000 Olson et al. 222/465.1
6,085,949 A * 7/2000 Zimny et al. 222/572
6,105,800 A * 8/2000 Czesak 215/42
6,213,338 B1 * 4/2001 Cogdill 220/700
D463,287 S * 9/2002 Moore et al. D9/549
D494,868 S * 8/2004 Walsh et al. D9/516
D515,419 S * 2/2006 Manke D9/447
D571,661 S * 6/2008 Ulibarri D9/500
D655,166 S * 3/2012 Arand et al. D9/500

* cited by examiner

Primary Examiner — Ian Simmons

Assistant Examiner — Dana L Meyrow

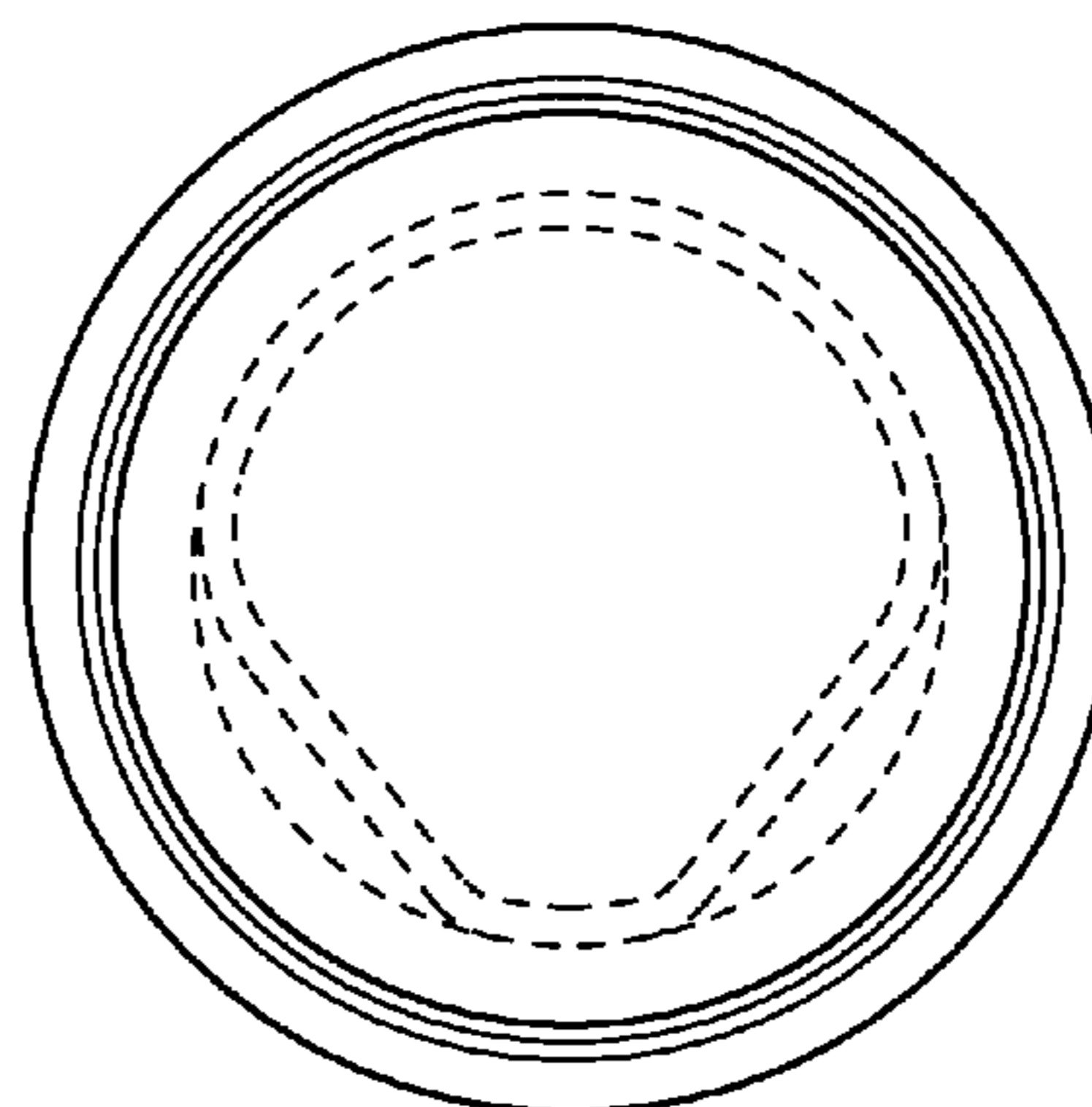
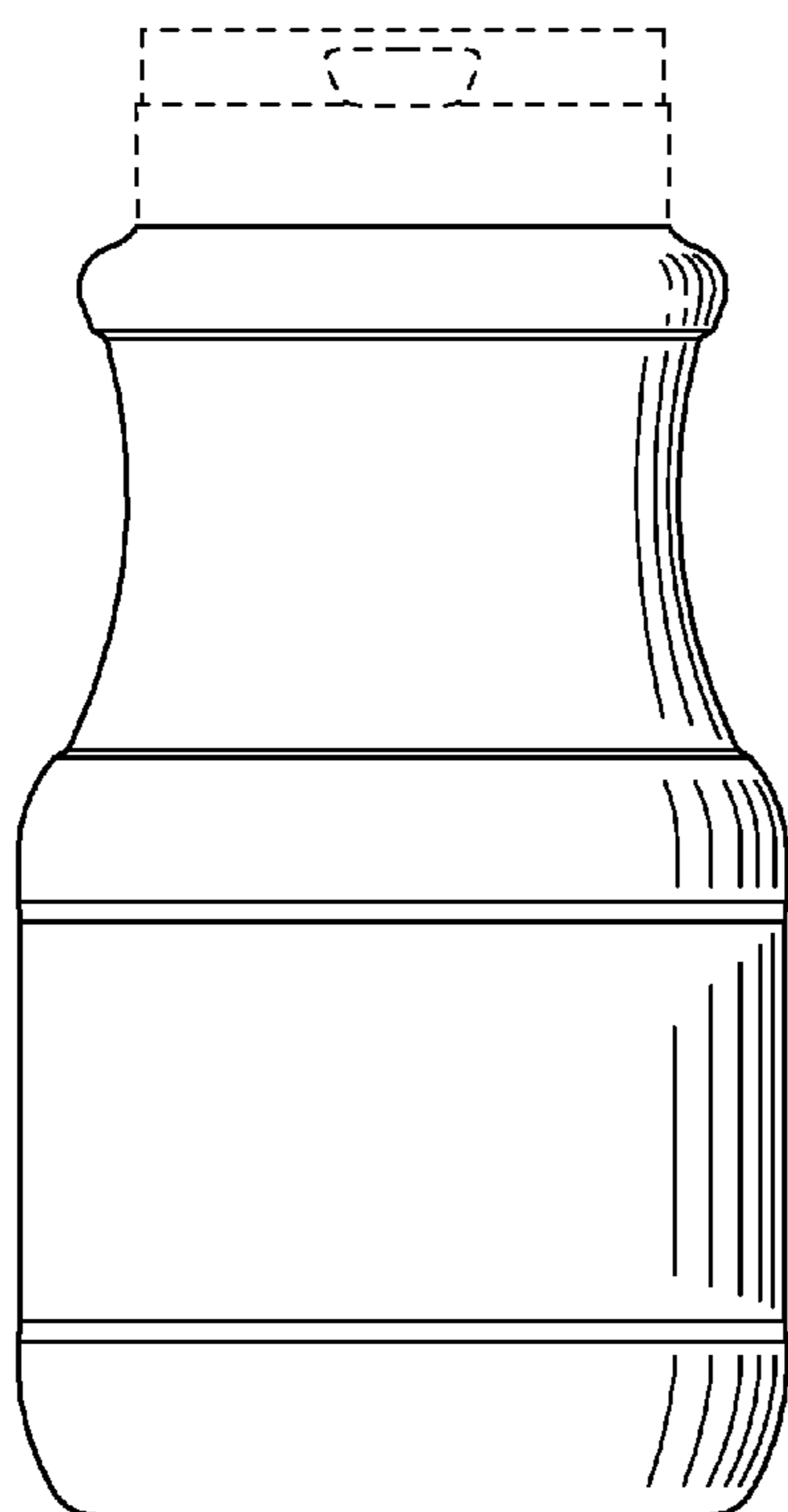
(57) **CLAIM**

We claim an ornamental design for a container, as shown and described.

DESCRIPTION

FIG. 1 is a top perspective view of a container in accordance with our new design;
FIG. 2 is a front elevation view thereof;
FIG. 3 is a top plan view thereof;
FIG. 4 is a left side elevation view thereof, the right side elevation view being a mirror image; and,
FIG. 5 is a rear elevation view thereof.
The broken lines in the drawings showing the container finish illustrate the portions of the design that form no part of the claim.

1 Claim, 2 Drawing Sheets



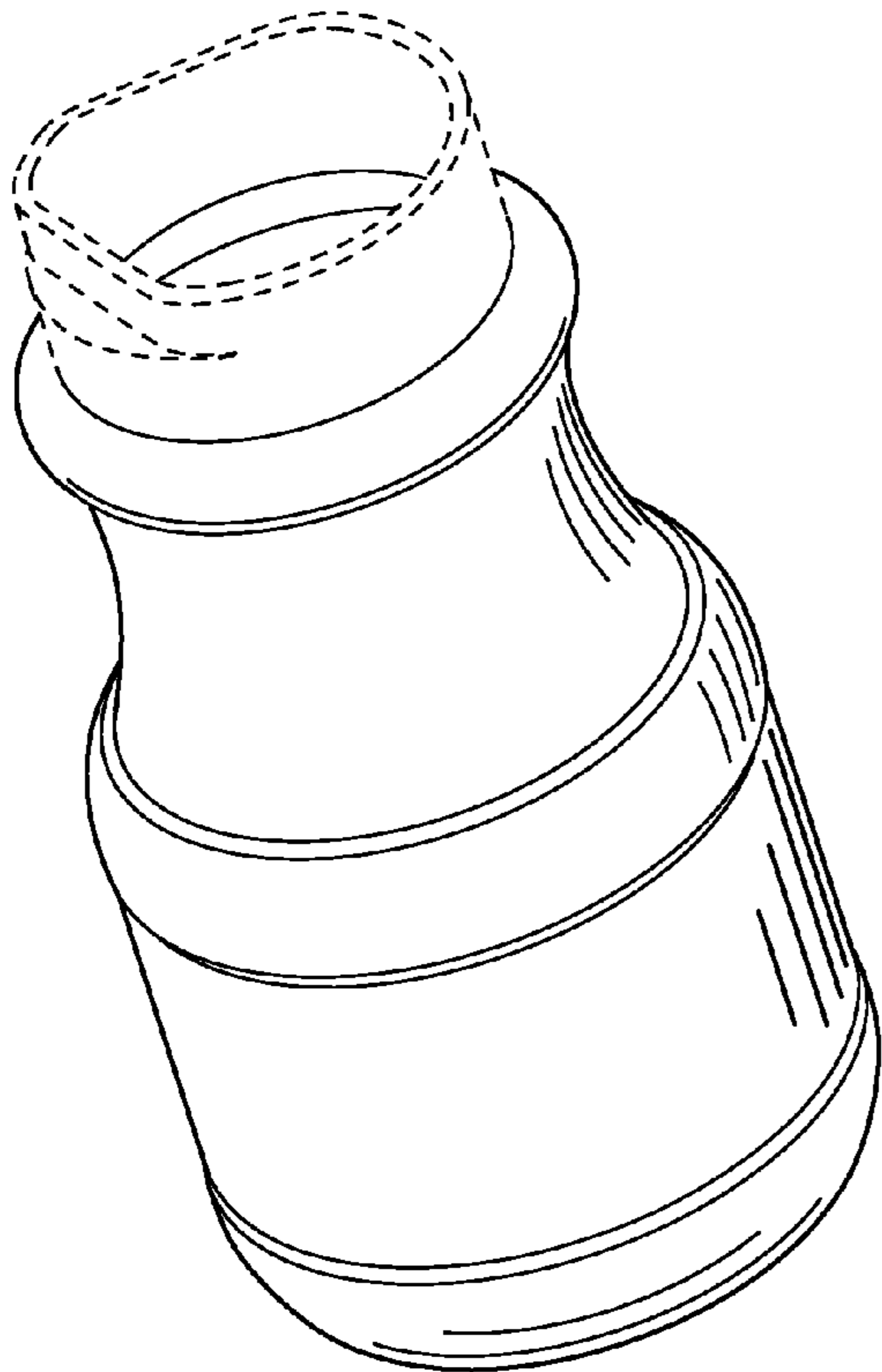


Figure 1

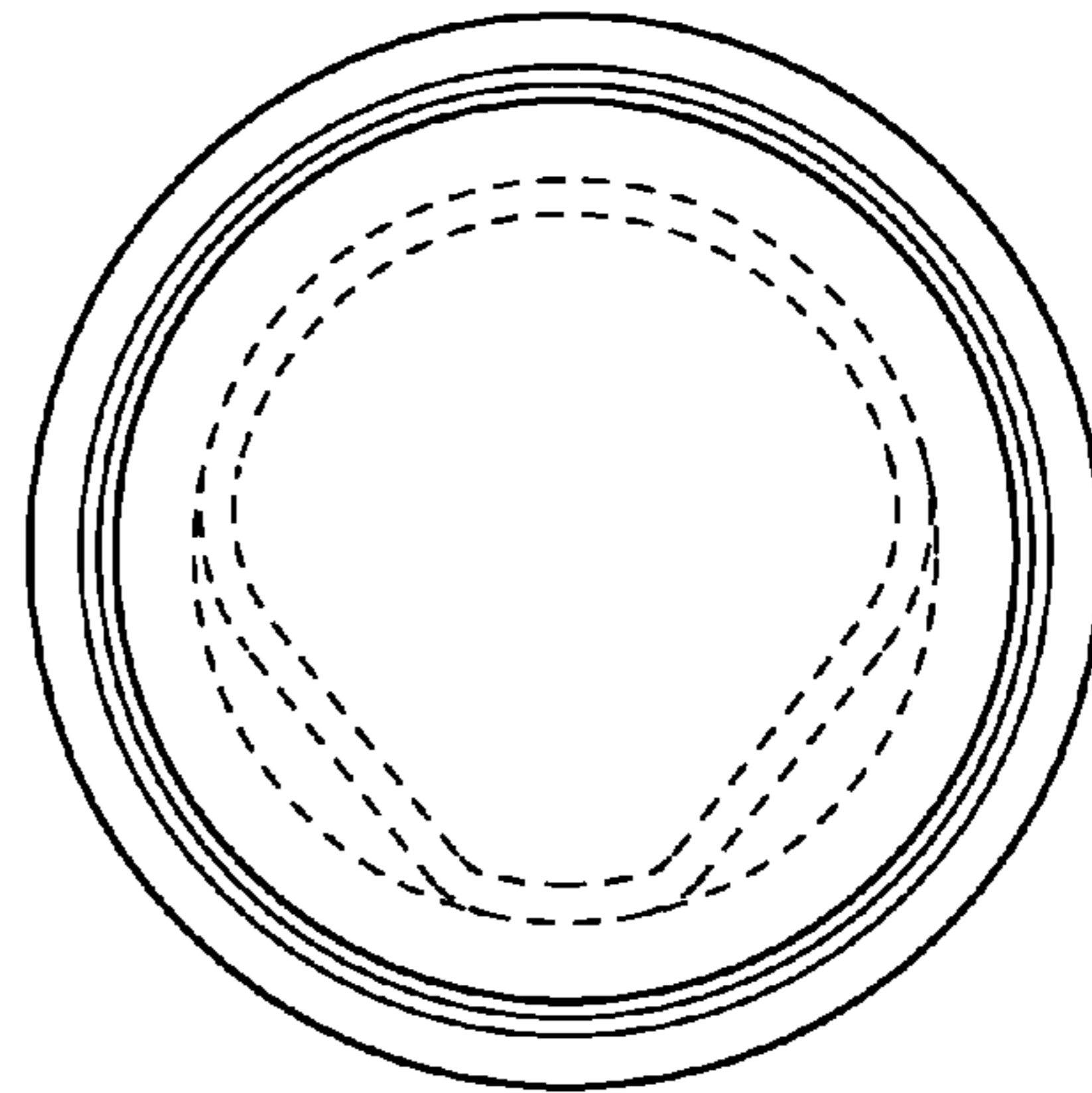


Figure 3

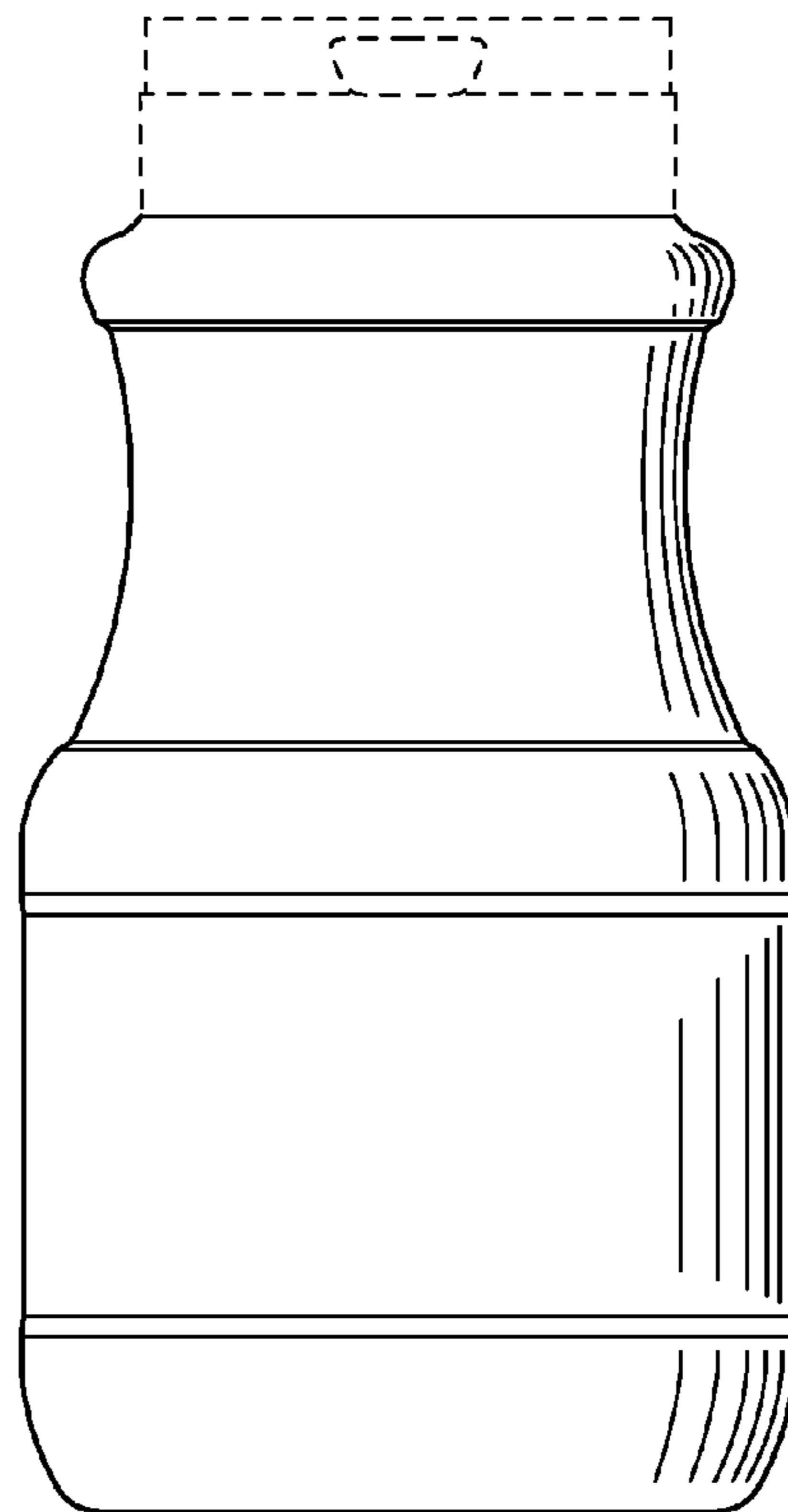


Figure 2

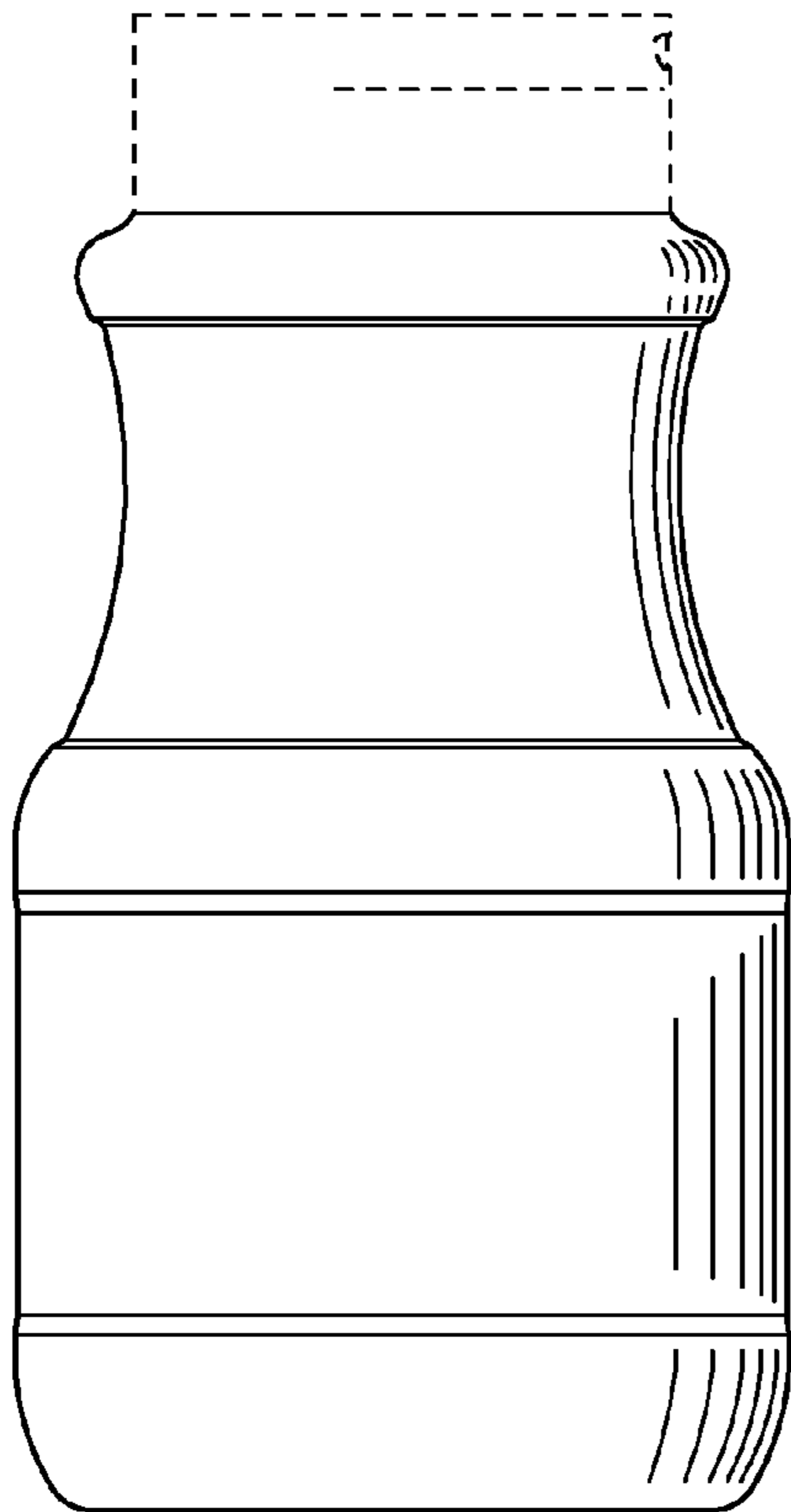


Figure 4

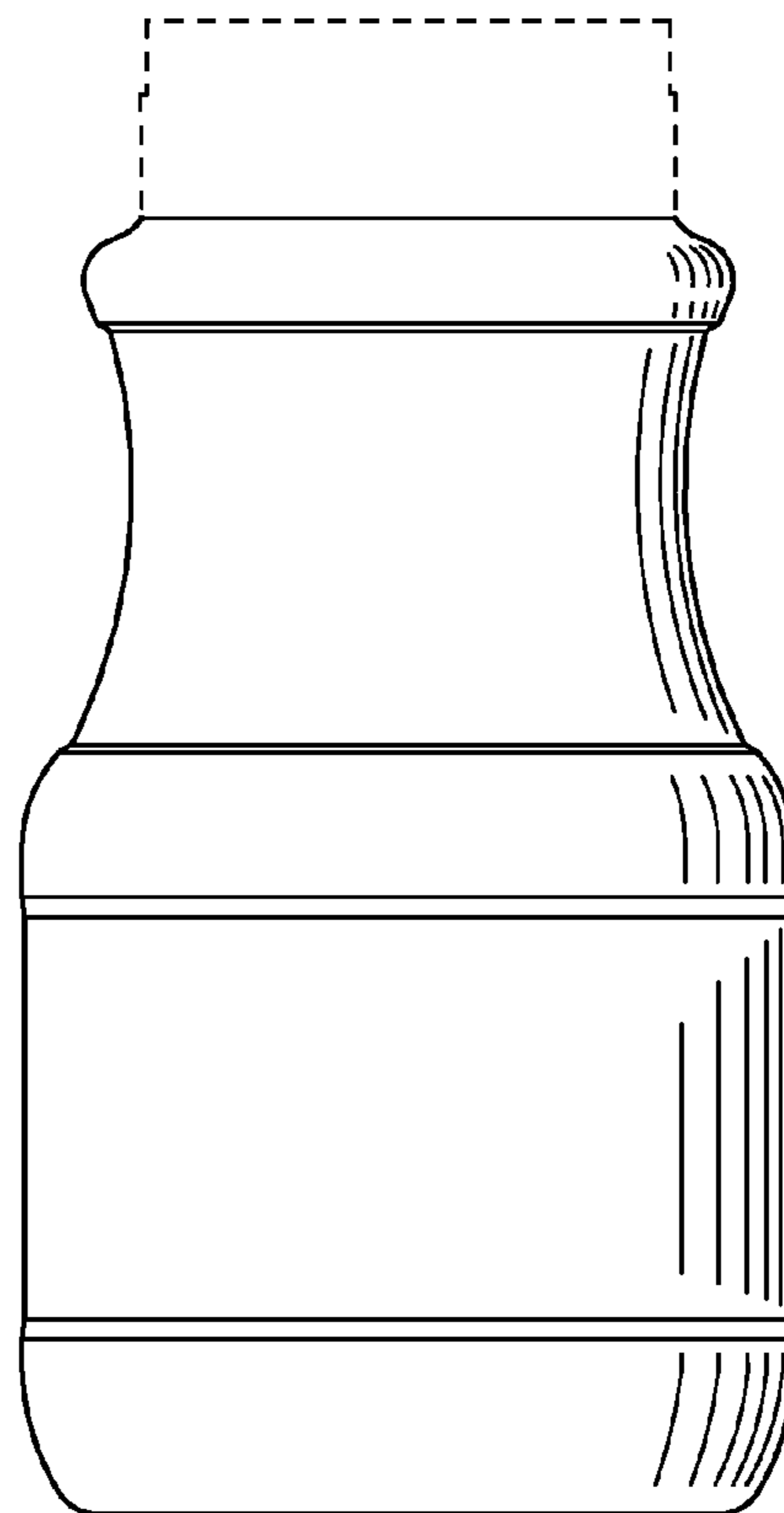


Figure 5