



US00D698641S

(12) **United States Design Patent**
Theisen et al.

(10) **Patent No.:** **US D698,641 S**
(45) **Date of Patent:** **** Feb. 4, 2014**

(54) **DISPLAY FIXTURE WITH CYLINDRICAL CONTAINER**

(71) Applicant: **Target Brands, Inc.**, Minneapolis, MN (US)

(72) Inventors: **Jennifer A. Theisen**, Crystal, MN (US);
Erin L. Zobel, Minneapolis, MN (US);
Jeffrey P. Pirro, Marcellus, NY (US)

(73) Assignee: **Target Brands, Inc.**, Minneapolis, MN (US)

(**) Term: **14 Years**

(21) Appl. No.: **29/457,722**

(22) Filed: **Jun. 12, 2013**

(51) **LOC (10) Cl.** **09-03**

(52) **U.S. Cl.**
USPC **D9/418**

(58) **Field of Classification Search**
USPC D9/346, 414–418, 423–425, 431–436,
D9/445, 453, 499, 500, 504, 516, 522, 529,
D9/535, 537, 551, 571, 672, 675, 702, 711,
D9/715, 721, 722, 737, 748, 759, 740, 743,
D9/745, 756, 749, 718, 428, 465, 564, 545,
D9/517, 519, 549; 206/769, 773, 775–778,
206/395, 397–98, 223, 736, 756, 495, 349,
206/760, 541, 784; 229/162.1, 162.3,
229/162.7, 107, 122, 395, 938, 902, 409,
229/125.05, 116.1; D7/602, 608, 607, 615,
D7/611, 612, 619.1, 598

See application file for complete search history.

(56) **References Cited**

U.S. PATENT DOCUMENTS

D241,228 S * 8/1976 Boduch D9/428
D244,259 S 5/1977 Bergstein
D259,769 S 7/1981 Northrop et al.

D259,922 S 7/1981 Seki
D278,653 S 4/1985 Savitz et al.
D278,751 S 5/1985 Seager
D283,592 S 4/1986 Quarrell et al.
D283,677 S * 5/1986 Fortuna et al. D9/500
D356,643 S 3/1995 Burns

(Continued)

OTHER PUBLICATIONS

“Counter Top Displays”, printed from www.displaysandsigns.com/cosmetic_displays.html publicly available at least as early as May 3, 2012, per <http://web.archive.org> (2 pages).

(Continued)

Primary Examiner — Robert M Spear
Assistant Examiner — Rhea Shields

(74) *Attorney, Agent, or Firm* — Griffiths & Seaton PLLC;
JoAnn M. Seaton

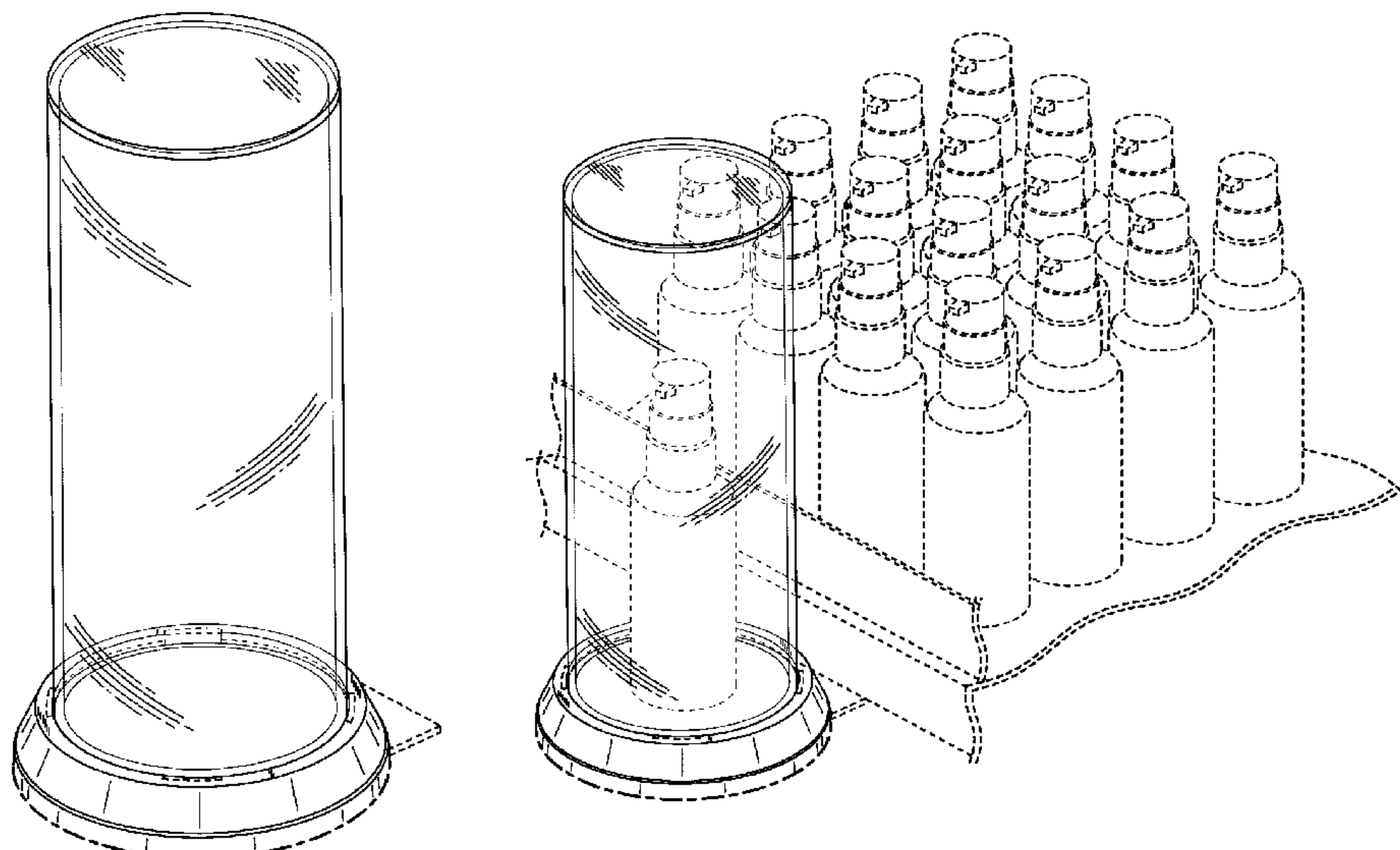
(57) **CLAIM**

The ornamental design for a display fixture with cylindrical container, as shown and described.

DESCRIPTION

FIG. 1 is a front, perspective view of a display fixture with cylindrical container showing our new design;
FIG. 2 is a front view thereof;
FIG. 3 is a rear view thereof;
FIG. 4 is a right side view thereof, the left side view being a mirror image of the right side view;
FIG. 5 is a top view thereof;
FIG. 6 is a bottom view thereof; and,
FIG. 7 is a smaller scale, front, perspective view of the display fixture with cylindrical container of FIG. 1 shown with environmental subject matter.
The broken lines in the drawings depict portions of the display fixture with cylindrical container that are unclaimed environment and form no part of the claimed design.

1 Claim, 6 Drawing Sheets



(56)

References Cited

U.S. PATENT DOCUMENTS

D357,985 S 5/1995 Burns
 D400,005 S 10/1998 Wolff
 D403,579 S 1/1999 Gallart et al.
 D417,438 S 12/1999 Matsushima
 D423,463 S 4/2000 Hanagata et al.
 D424,024 S 5/2000 Hanagata et al.
 D435,067 S 12/2000 Shih
 D435,662 S 12/2000 Stevens et al.
 D435,663 S 12/2000 Stevens et al.
 D435,664 S 12/2000 Stevens et al.
 D436,134 S 1/2001 Aguayo, Jr.
 D436,182 S 1/2001 Stevens et al.
 D436,183 S 1/2001 Stevens et al.
 D436,861 S * 1/2001 Sagel et al. D9/428
 D443,465 S 6/2001 Kapellas et al.
 D444,568 S 7/2001 Conway
 D444,885 S 7/2001 Conway
 D444,886 S 7/2001 Conway
 D444,887 S 7/2001 Conway
 D445,908 S 7/2001 Conway
 D448,085 S 9/2001 Conway
 D448,086 S 9/2001 Conway
 D457,452 S 5/2002 Christiansen
 D464,511 S 10/2002 Clarke et al.
 D466,809 S * 12/2002 Sagel D9/428
 D517,411 S 3/2006 Okimoto
 D519,027 S * 4/2006 Haber et al. D9/428
 D526,190 S * 8/2006 Bolt et al. D9/418
 D527,188 S 8/2006 Langer

D527,252 S * 8/2006 Bolt et al. D9/418
 D528,304 S 9/2006 Langer
 D528,305 S 9/2006 Langer
 D529,292 S 10/2006 Langer
 D529,293 S 10/2006 Langer
 D529,719 S 10/2006 Langer
 D530,097 S 10/2006 Langer
 D530,519 S 10/2006 Langer
 D535,323 S 1/2007 Christian et al.
 D538,845 S 3/2007 Christian et al.
 D579,324 S 10/2008 Schmidt
 D587,584 S * 3/2009 Jaichandra et al. D9/517
 D596,024 S * 7/2009 Fraguada McCoy et al. . D9/428
 D628,080 S * 11/2010 Van Heerikhuize et al. .. D9/549
 D654,374 S 2/2012 Lauder
 D657,689 S 4/2012 Bodkin
 D658,314 S 4/2012 Burch
 D659,764 S 5/2012 Engelhardt
 D663,217 S 7/2012 Bodkin
 D671,831 S * 12/2012 Moreau D9/428
 D678,791 S 3/2013 Ford

OTHER PUBLICATIONS

“Acrylic Plastic Cosmetic Cases”, printed from www.chinadisplays.com/products_detail/&productId=a165caaf-9f43-4892-9fdf-6bb9b9eb3233.html publicly available at least as early as Feb. 19, 2012 (2 pages).
 Photographs of Fixture and Signage from Target Store, (3 pages).
 U.S. Appl. No. 29/457,710, filed Jun. 12, 2013 (13 pages).

* cited by examiner

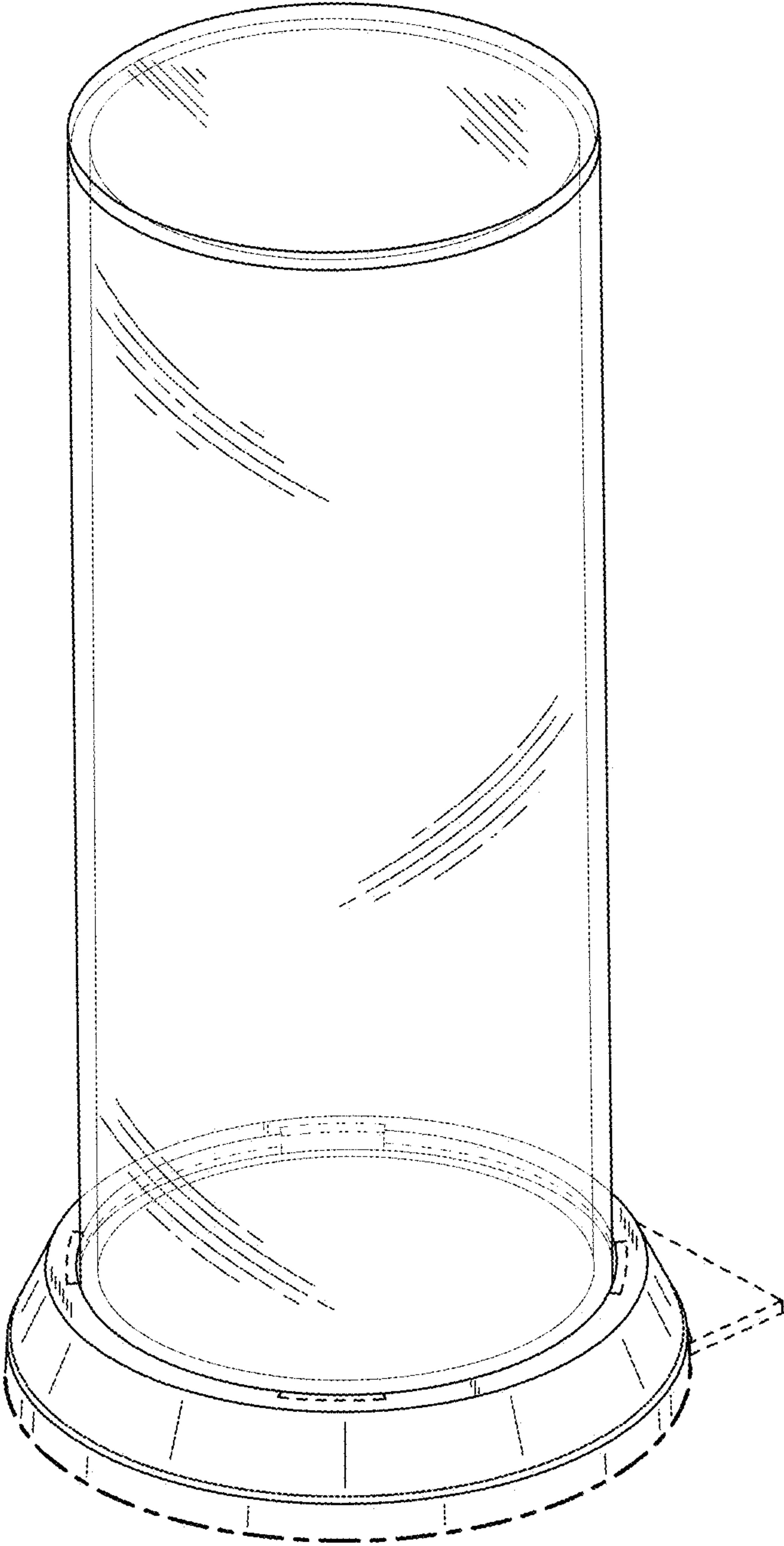


FIG. 1

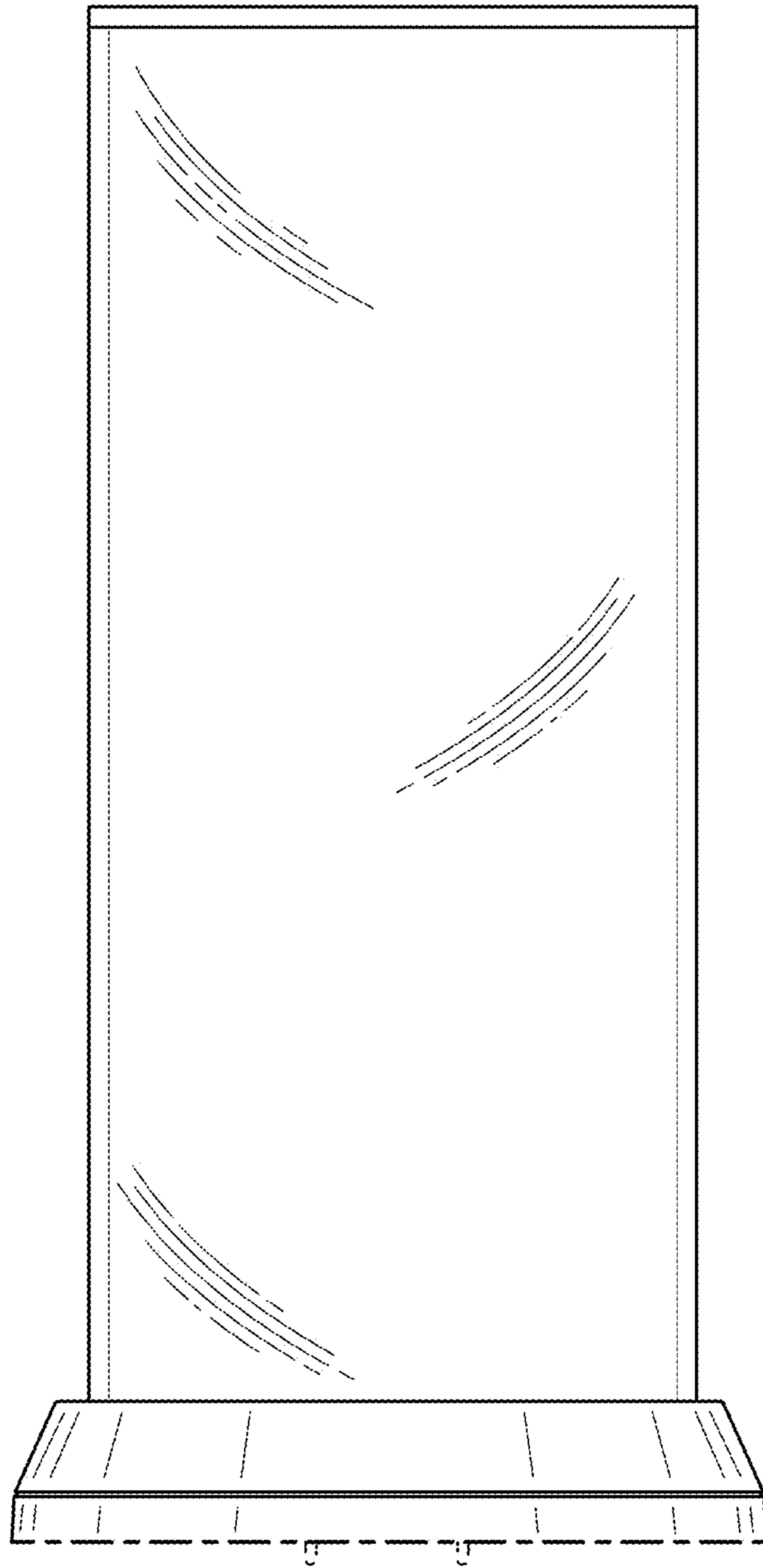


FIG. 2

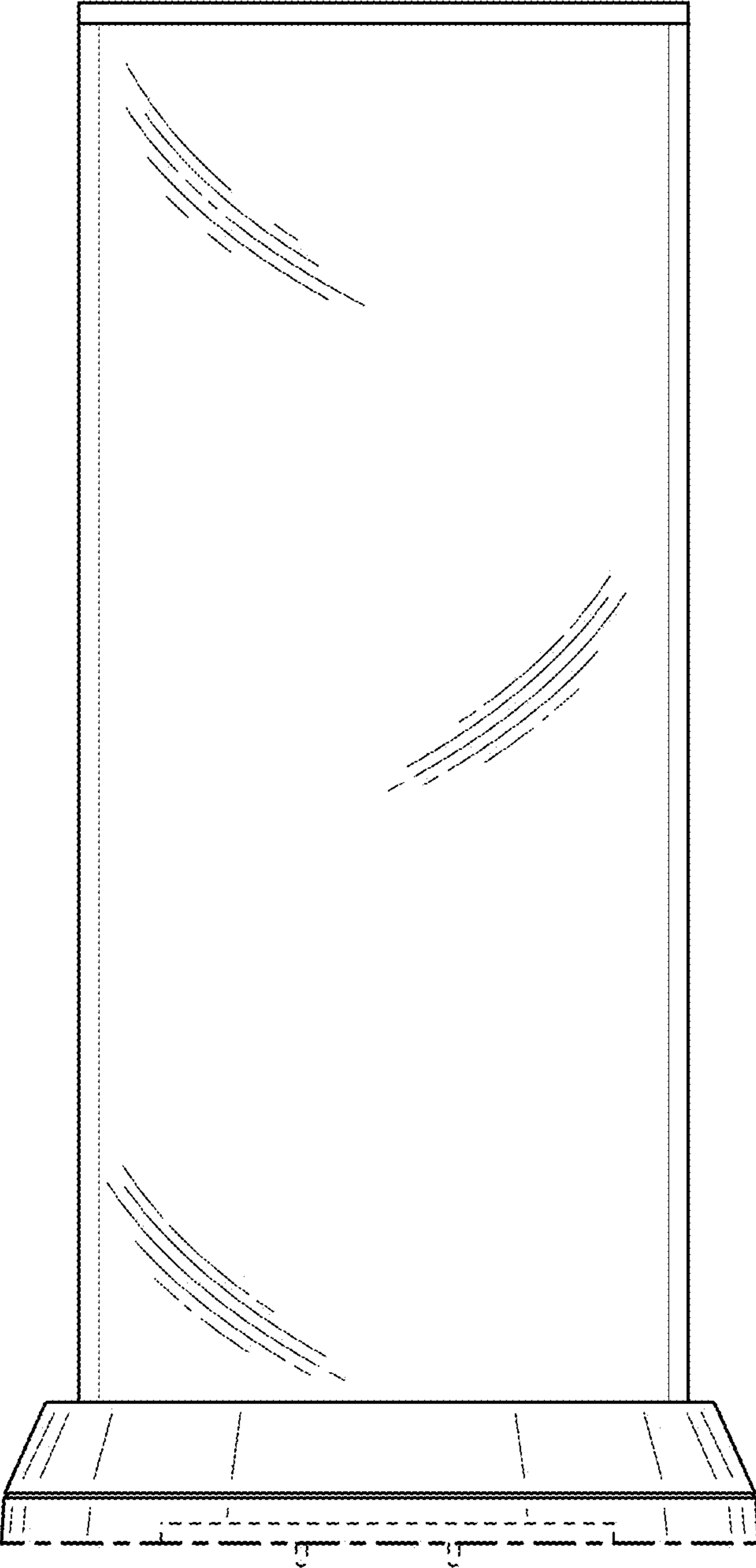


FIG. 3

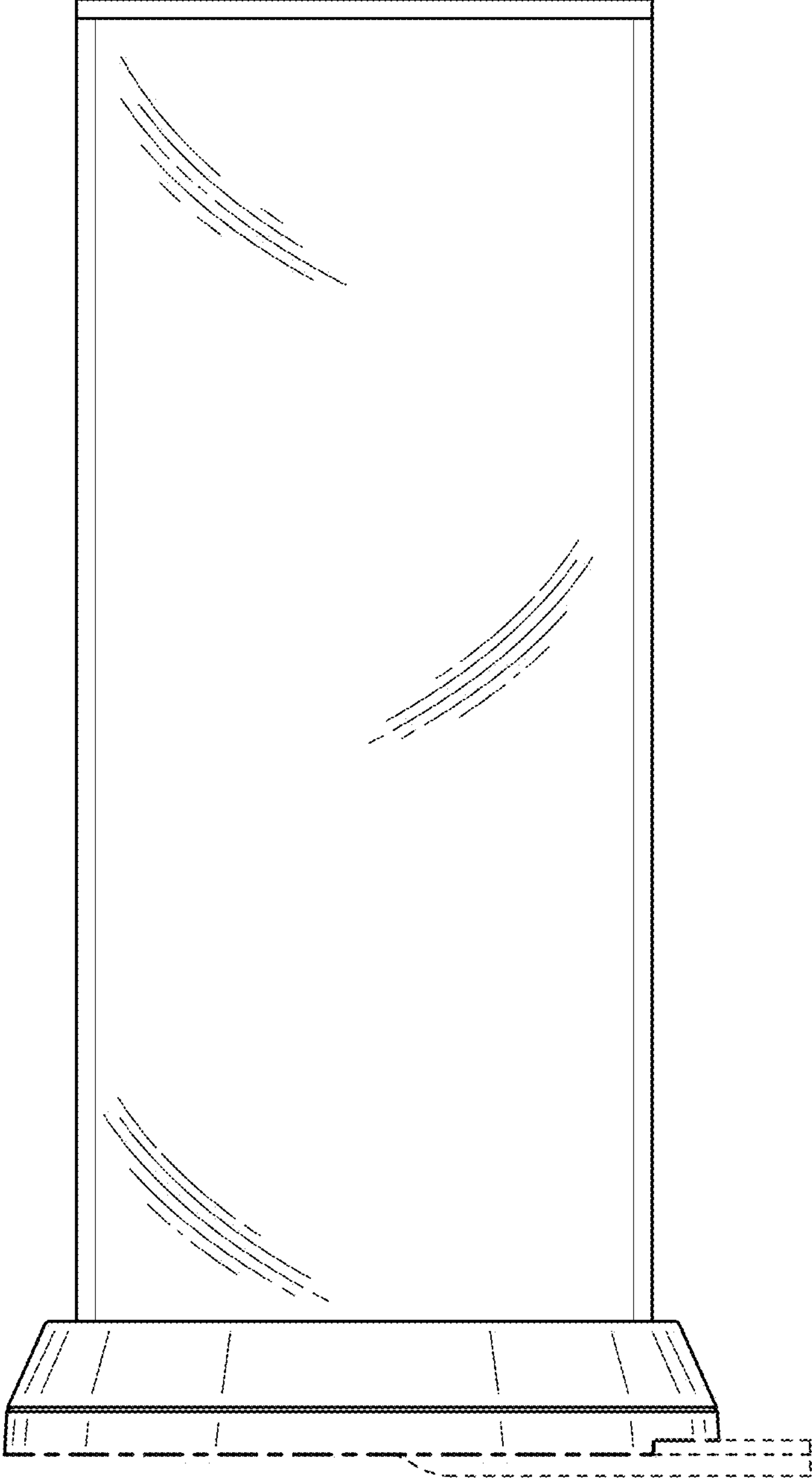


FIG. 4

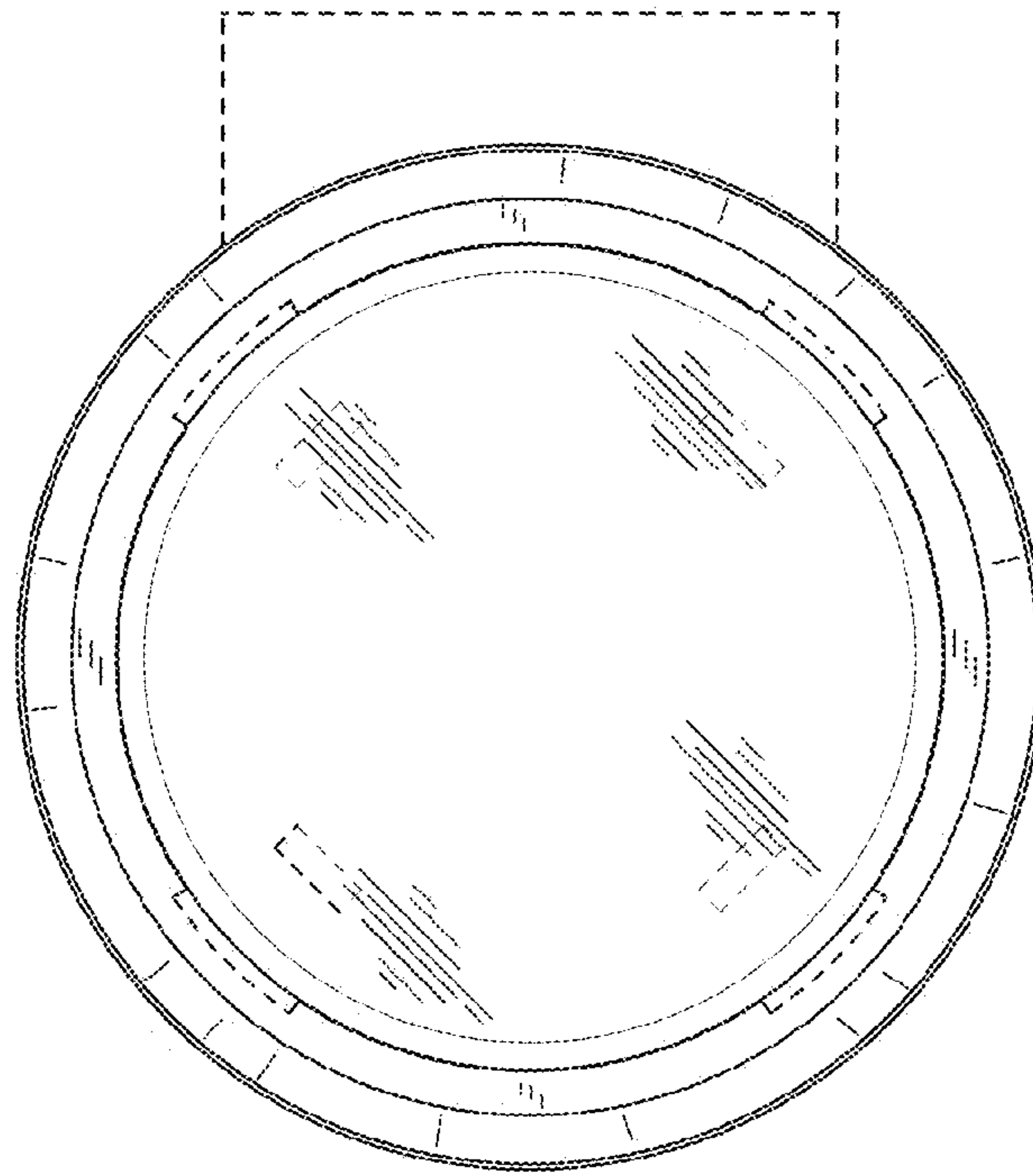


FIG. 5

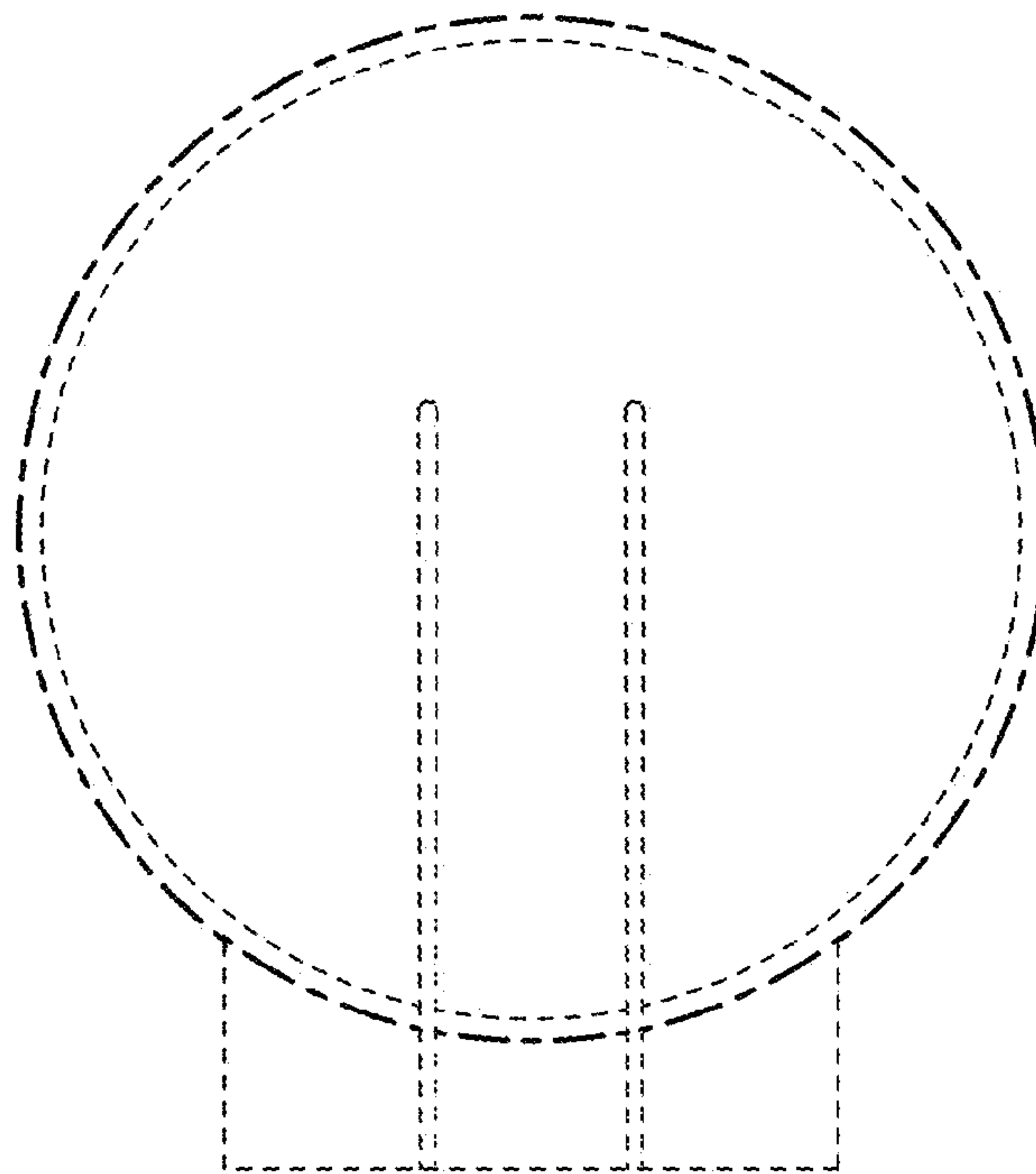


FIG. 6

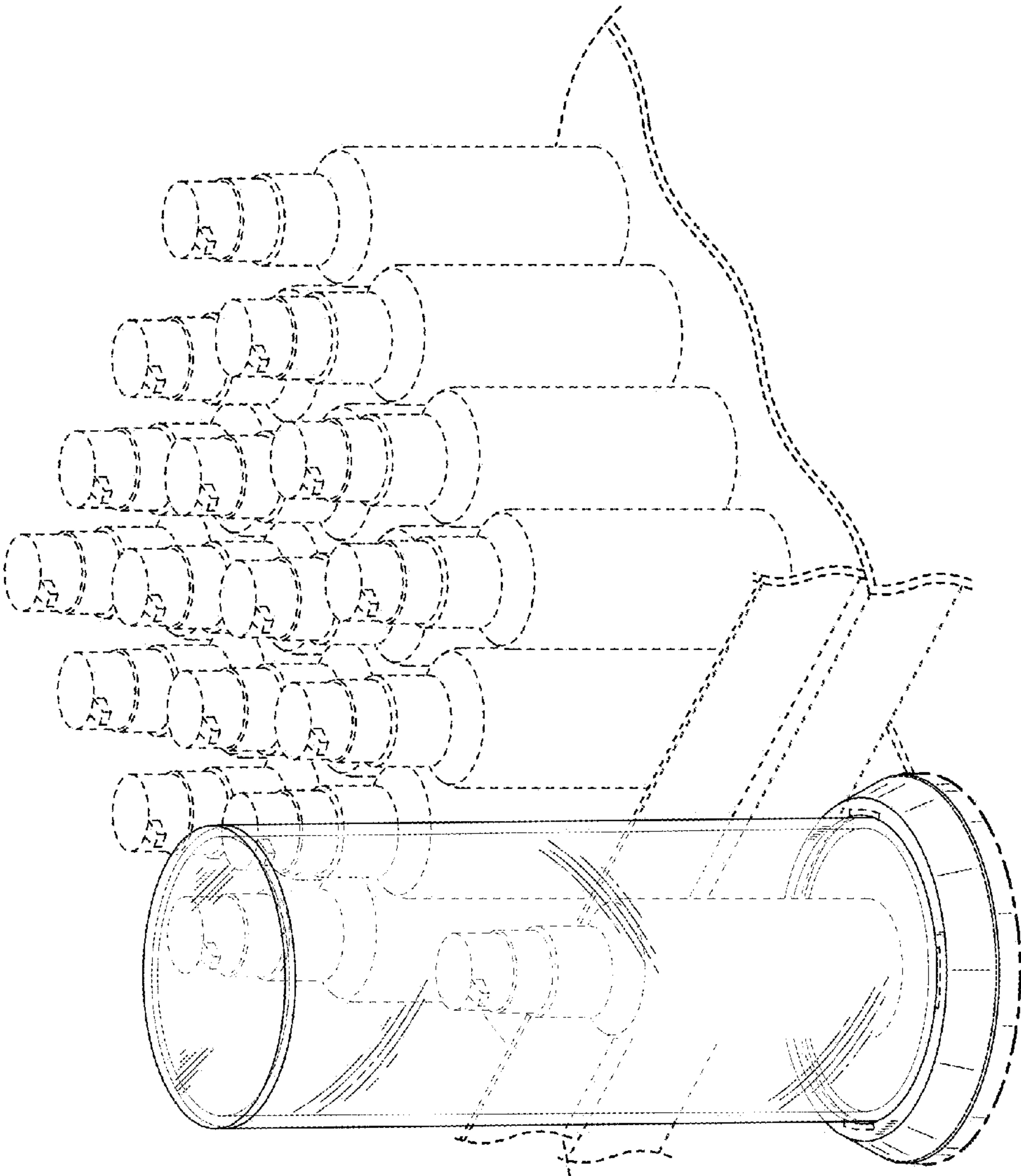


FIG. 7