



US00D698638S

(12) **United States Design Patent**
Imai et al.

(10) **Patent No.:** **US D698,638 S**
(45) **Date of Patent:** **** Feb. 4, 2014**

- (54) **NUT**
- (71) Applicants: **Sumitomo Forestry Co., Ltd.**, Tokyo (JP); **Kanai Co., Ltd.**, Tokyo (JP)
- (72) Inventors: **Junichi Imai**, Chiyoda-ku (JP); **Hiroki Nakashima**, Chiyoda-ku (JP); **Kunio Kanai**, Adachi-ku (JP); **Yasufumi Ushio**, Adachi-ku (JP)
- (73) Assignees: **Sumitomo Forestry Co., Ltd.**, Tokyo (JP); **Kanai Co., Ltd.**, Tokyo (JP)
- (**) Term: **14 Years**
- (21) Appl. No.: **29/447,883**
- (22) Filed: **Mar. 7, 2013**
- (30) **Foreign Application Priority Data**
Sep. 25, 2012 (JP) 2012-023133
- (51) **LOC (10) Cl.** **08-08**
- (52) **U.S. Cl.**
USPC **D8/397**
- (58) **Field of Classification Search**
USPC D8/397, 394, 382, 399, 356, 354, 349; D15/140; 16/2.1; 220/575; 206/521.15; 24/302, 16 R, 306; 439/501, 578; 381/374; D14/217, 205; 411/302, 427, 411/429, 432, 918, 179, 180; D13/151, 133
See application file for complete search history.

- (56) **References Cited**
U.S. PATENT DOCUMENTS
1,029,775 A * 6/1912 Tobin 411/191
2,552,794 A * 5/1951 Kimbell 411/427
2,727,551 A * 12/1955 Rees 411/303

- D220,027 S * 3/1971 Myers D8/397
- D223,187 S * 3/1972 Wing D8/397
- 3,702,628 A * 11/1972 Cosenza 411/280
- D233,652 S * 11/1974 Wing D8/397
- 4,019,550 A * 4/1977 DeHaitre 411/303
- D244,908 S * 7/1977 Hatter et al. D8/397
- D244,909 S * 7/1977 Gill D8/397
- D311,131 S * 10/1990 Saito D8/397
- 6,071,052 A * 6/2000 Kerr 411/302
- D446,111 S * 8/2001 Hussaini D8/397
- D459,207 S * 6/2002 Miyata D8/397
- D519,076 S * 4/2006 Fox D13/133
- 7,063,565 B2 * 6/2006 Ward 439/578
- D535,259 S * 1/2007 Rodrigues et al. D13/151
- D551,972 S * 10/2007 Jacobs et al. D9/445
- D581,777 S * 12/2008 Huang D8/397
- D601,507 S * 10/2009 Rodrigues D13/151
- 8,210,783 B2 * 7/2012 Morrison 411/9
- D679,988 S * 4/2013 Yamazaki D8/397
- 2003/0039527 A1 * 2/2003 Schatz 411/9
- 2005/0136735 A1 * 6/2005 Rodrigues et al. 439/578

* cited by examiner

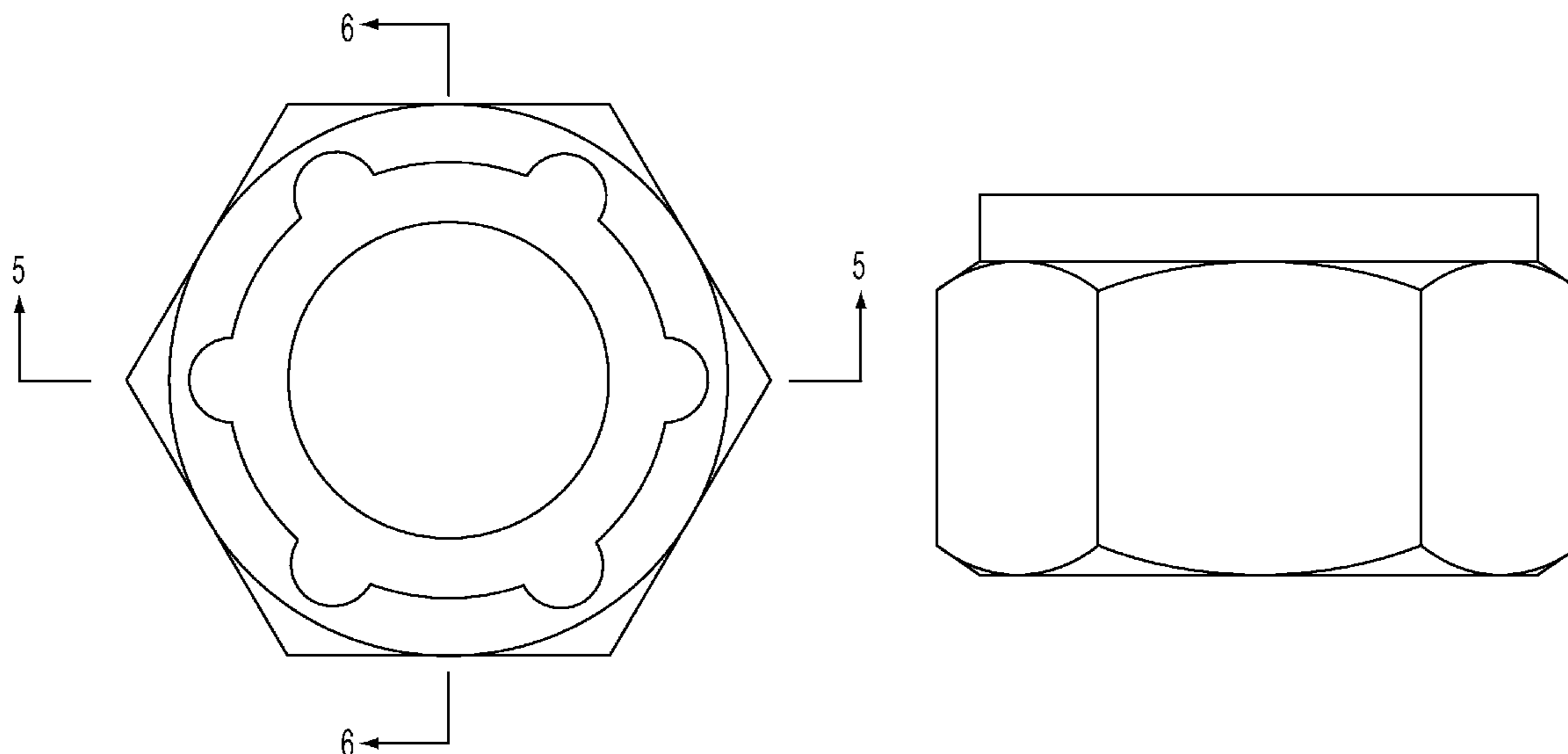
Primary Examiner — Cynthia Underwood
(74) *Attorney, Agent, or Firm* — Sughrue Mion, PLLC

(57) **CLAIM**
The ornamental design for a nut, as shown and described.

DESCRIPTION

FIG. 1 is a top view of a nut according to our new design; FIG. 2 is a bottom view thereof; FIG. 3 is a front view thereof, which is identical to a rear view thereof; FIG. 4 is a right side view thereof, which is identical to a left side view; FIG. 5 is a cross-sectional view taken along line 5-5 of FIG. 1; and, FIG. 6 is a cross-sectional view taken along line 6-6 of FIG. 1.

1 Claim, 3 Drawing Sheets



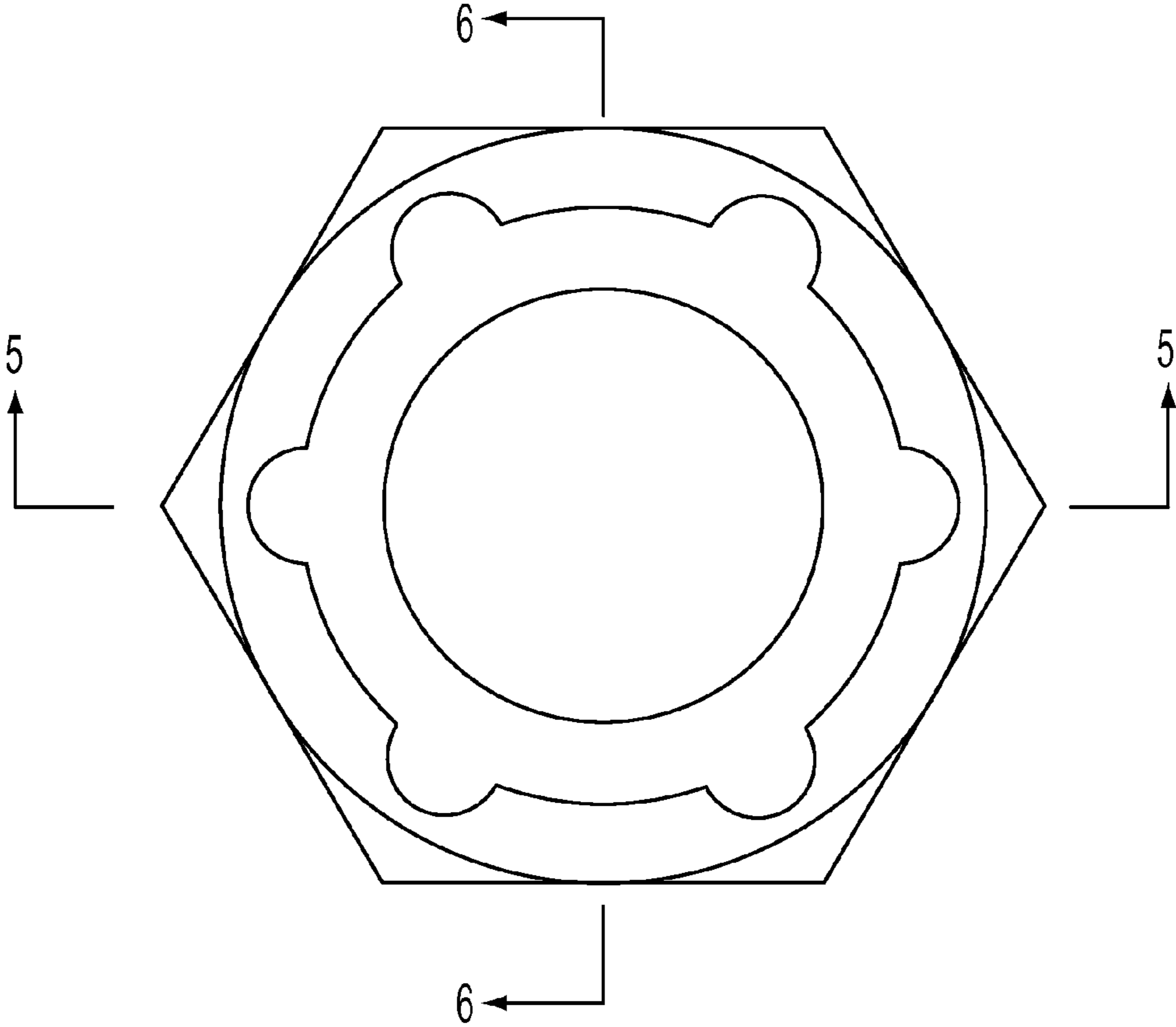


FIG. 1

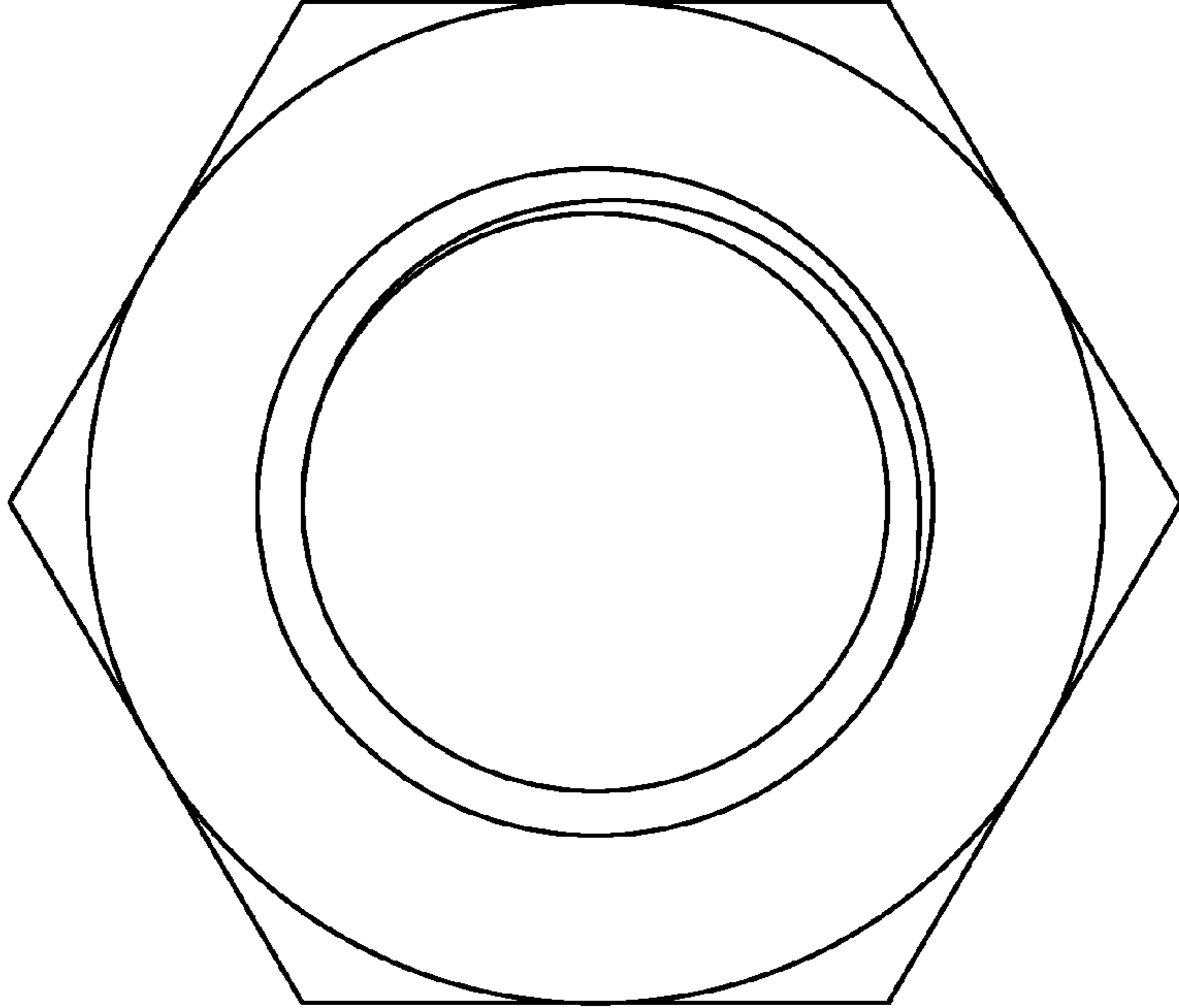


FIG. 2

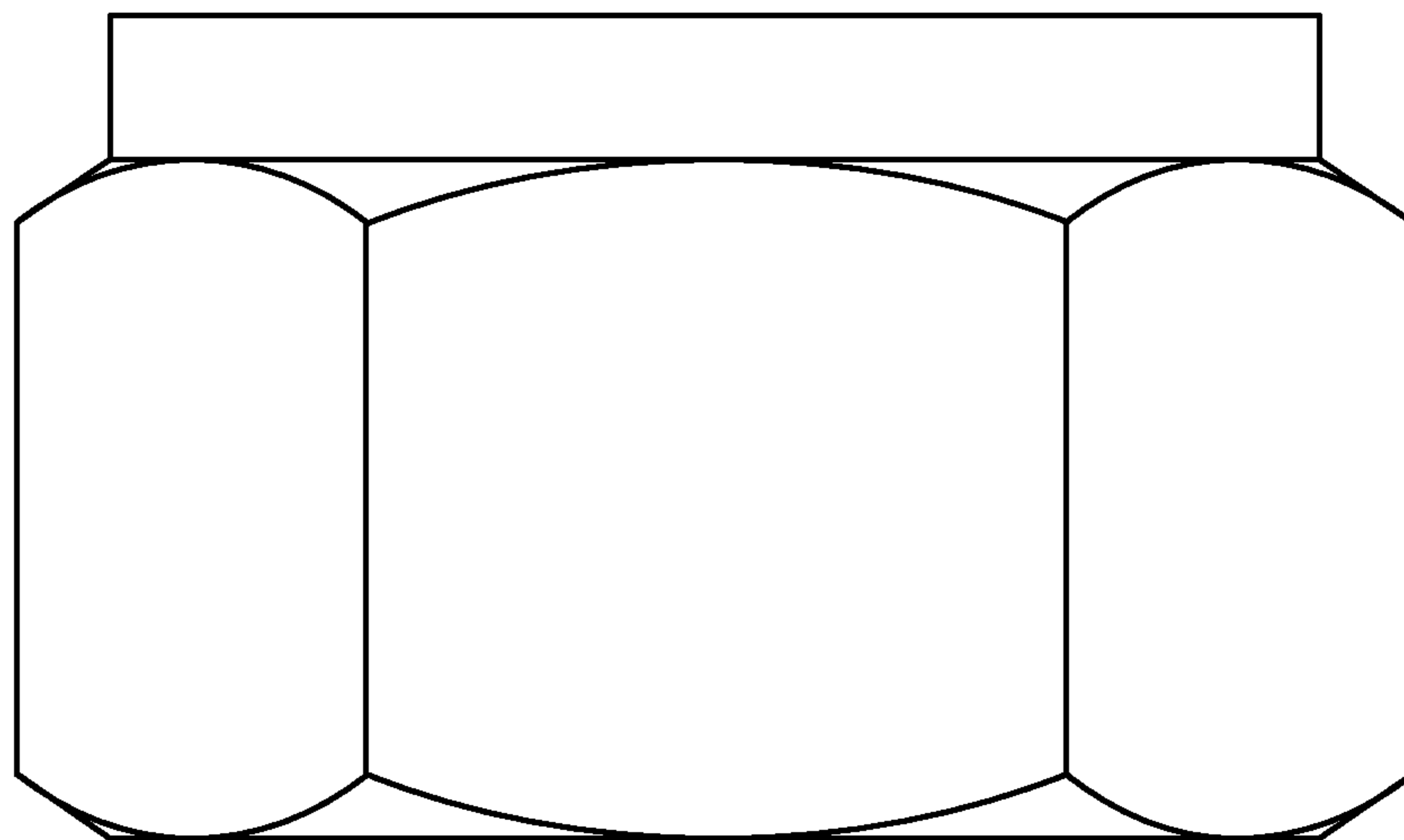


FIG. 3

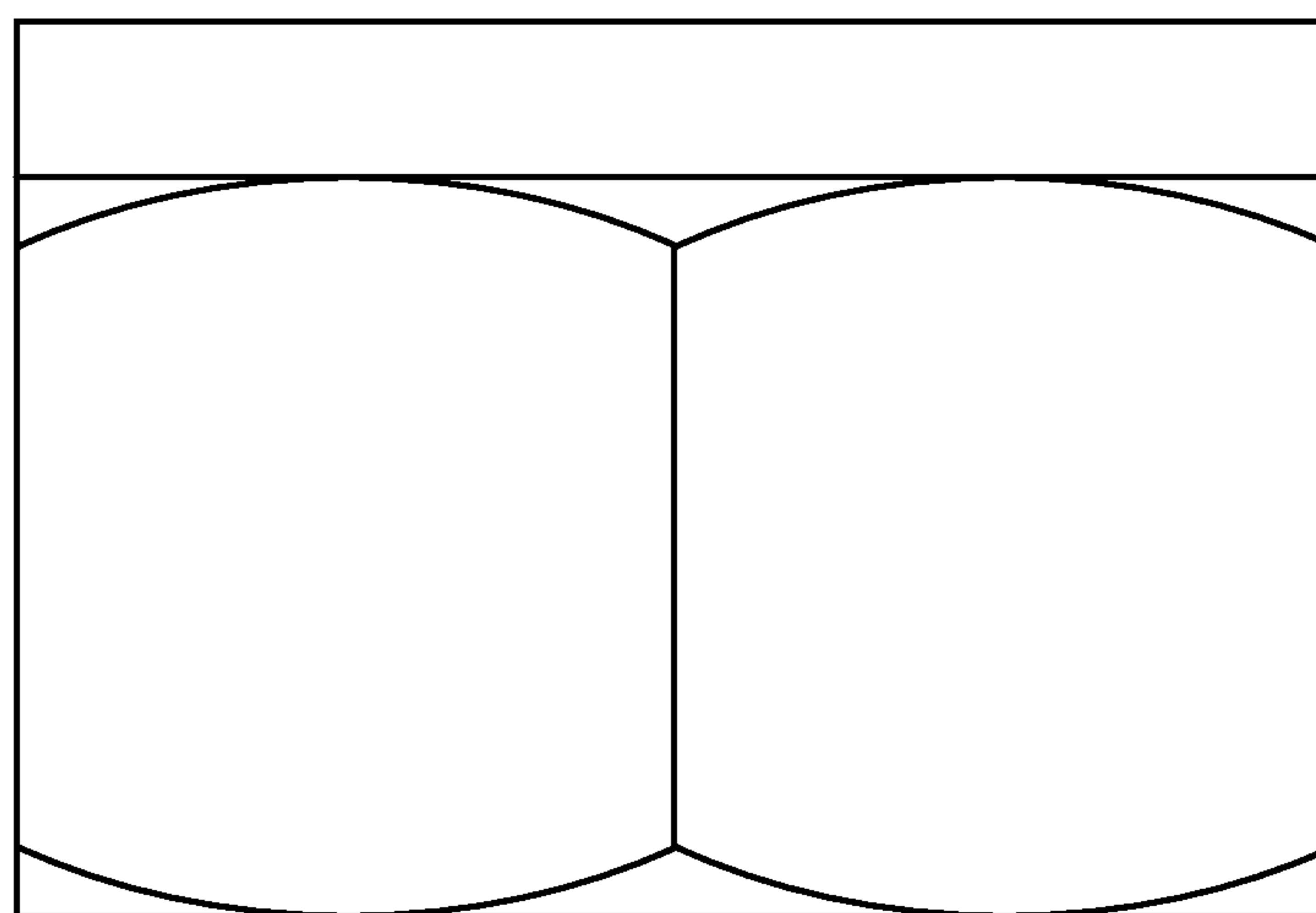


FIG. 4

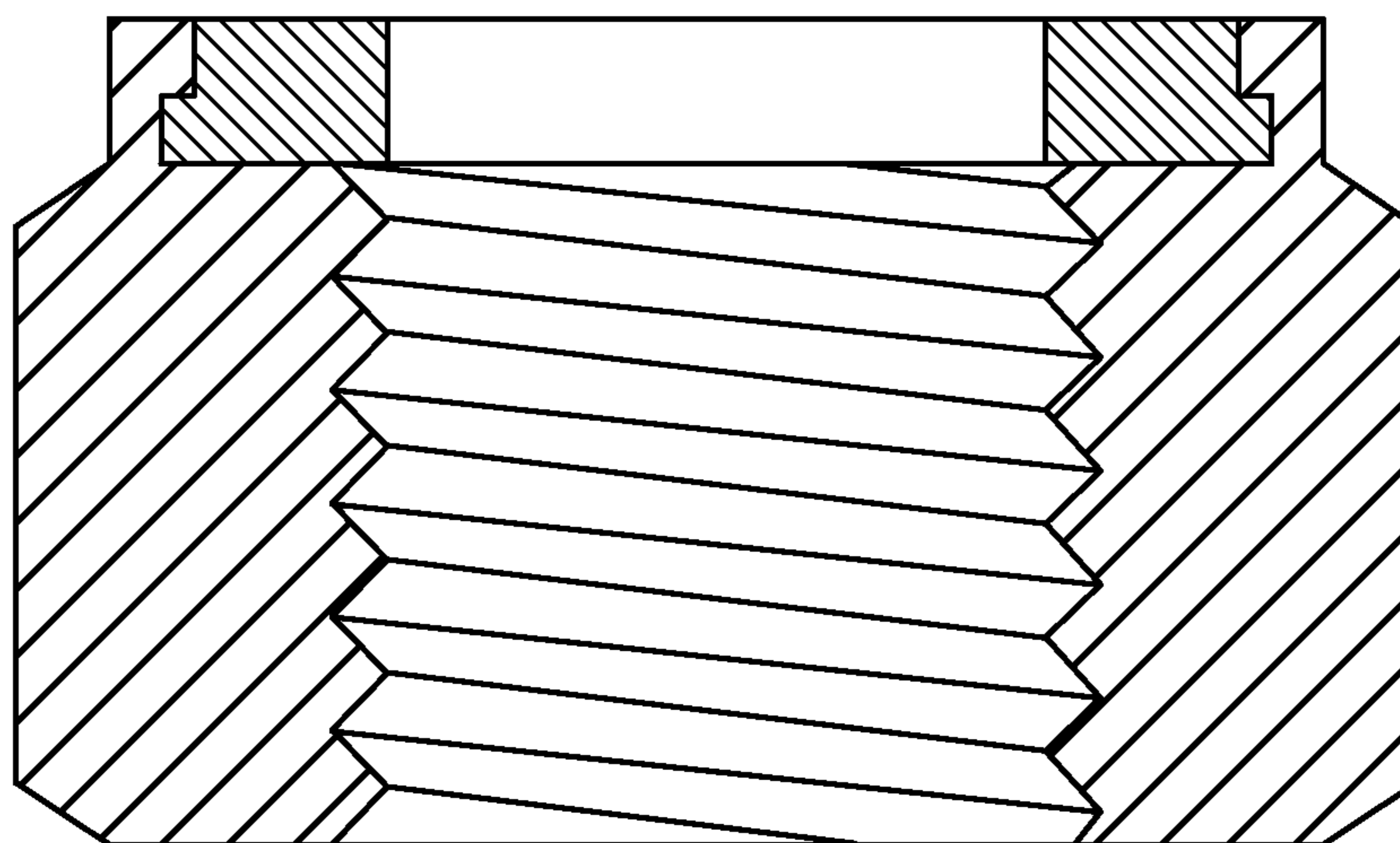


FIG. 5

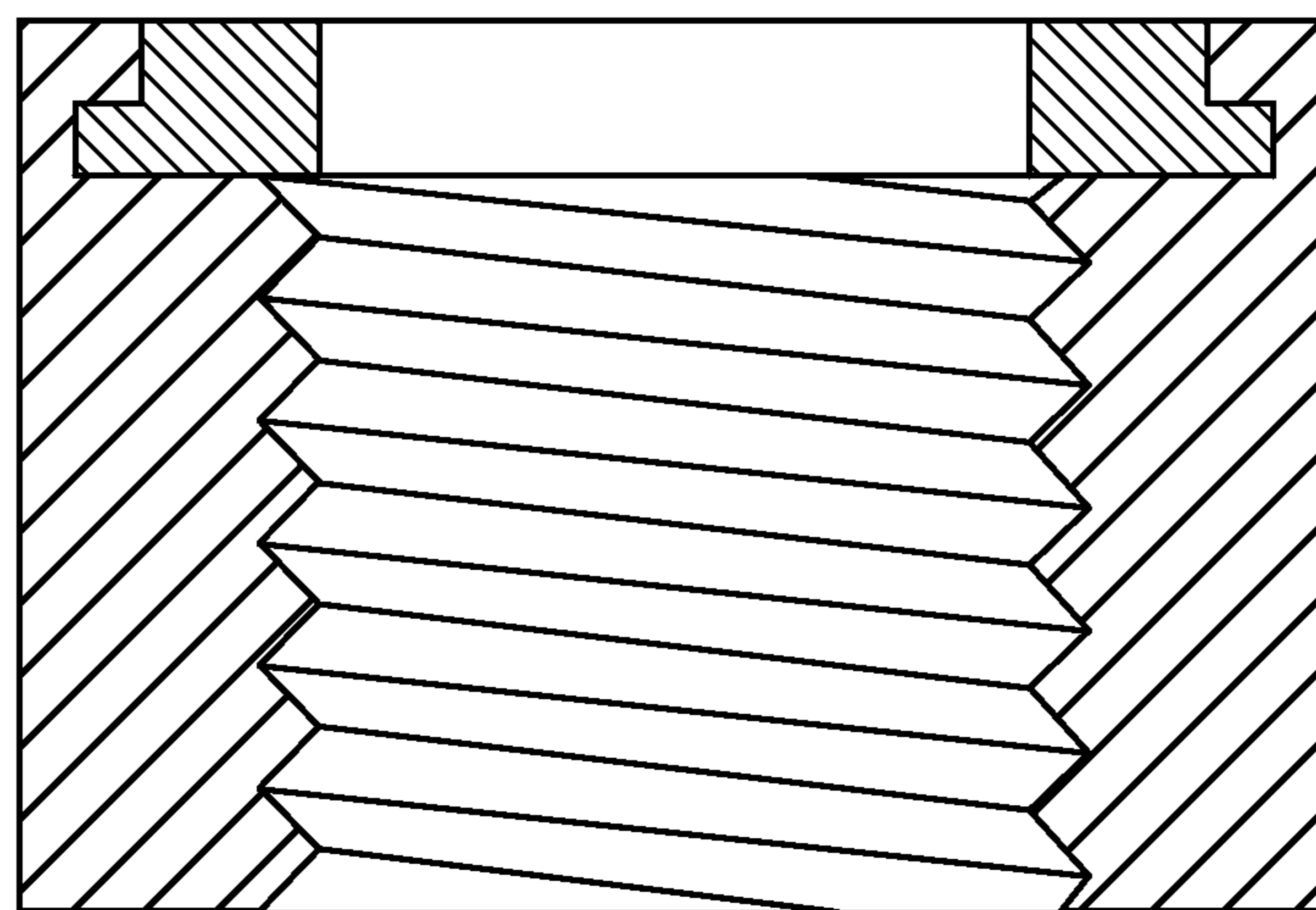


FIG. 6