

US00D698637S

(12) **United States Design Patent**
Su

(10) **Patent No.:** **US D698,637 S**

(45) **Date of Patent:** **** Feb. 4, 2014**

(54) **UNIVERSAL JOINT**

(76) Inventor: **Cheng-Wei Su**, Taichung (TW)

(**) Term: **14 Years**

(21) Appl. No.: **29/405,331**

(22) Filed: **Nov. 1, 2011**

(51) **LOC (10) Cl.** **08-08**

(52) **U.S. Cl.**
USPC **D8/397**

(58) **Field of Classification Search**
USPC D8/399, 382, 349, 397, 394, 70;
411/429, 432, 918, 179, 180; D23/262;
285/321; 403/114, 115, 145, 146;
81/177.7, 177.75, 177.85; 29/525.2,
29/592

See application file for complete search history.

(56) **References Cited**

U.S. PATENT DOCUMENTS

D245,395	S *	8/1977	Cognevich	D8/70
D260,355	S *	8/1981	Buzzell	D8/70
D482,761	S *	11/2003	Gotoh et al.	D23/262
7,240,927	B2 *	7/2007	Chang	285/321
7,311,018	B1 *	12/2007	Liou	81/60
7,364,207	B2 *	4/2008	McGee et al.	285/321

D588,893	S *	3/2009	Radich	D8/70
8,001,873	B2 *	8/2011	Peng	81/177.75
8,176,817	B2 *	5/2012	Liu	81/177.75
D676,940	S *	2/2013	Kluss et al.	D23/262
2003/0002950	A1 *	1/2003	Jameson	411/3

* cited by examiner

Primary Examiner — Cynthia Underwood

(74) *Attorney, Agent, or Firm* — Alan Kamrath; Kamrath IP Lawfirm, P.A.

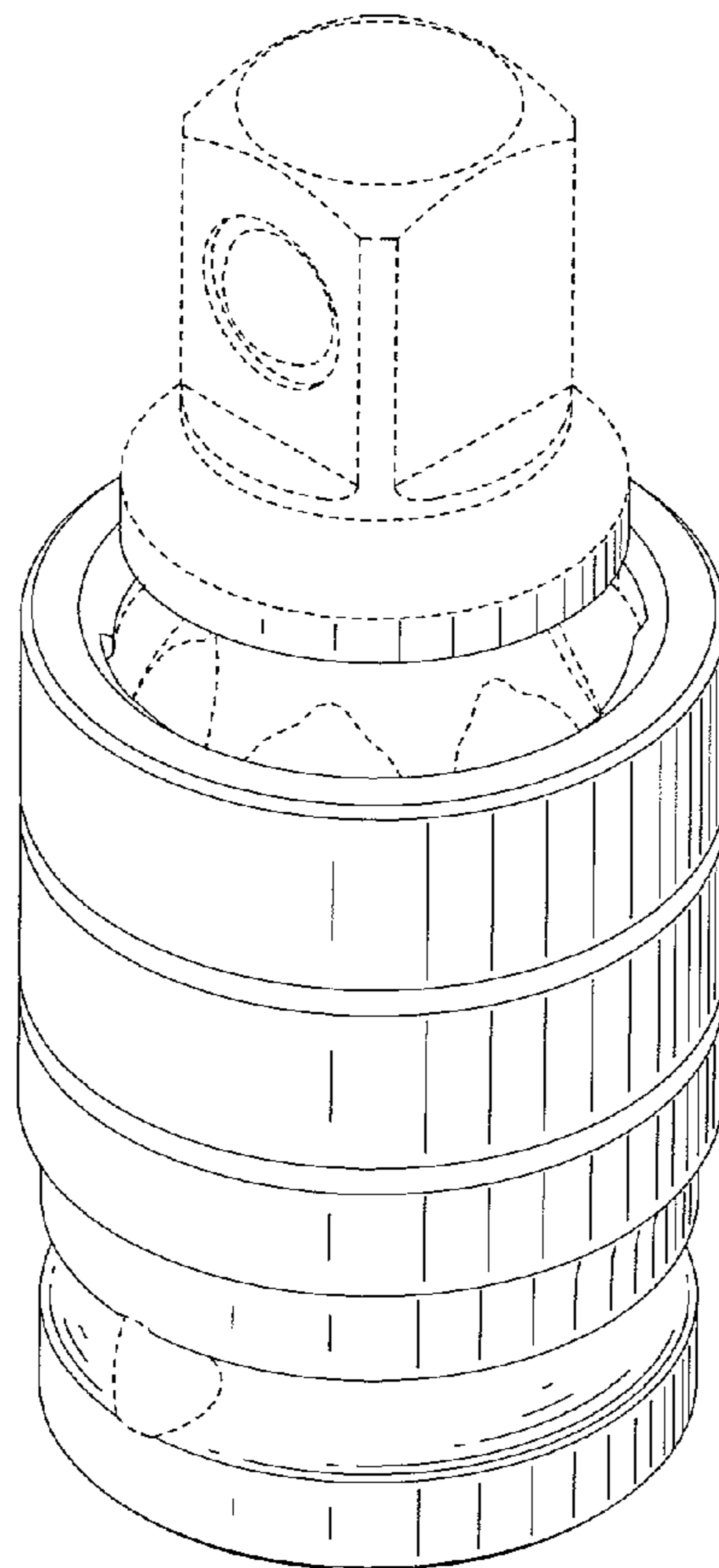
(57) **CLAIM**

The ornamental design for a universal joint, as shown and described.

DESCRIPTION

FIG. 1 is a perspective view of a universal joint, showing my new design;
FIG. 2 is a front view thereof;
FIG. 3 is a rear view thereof;
FIG. 4 is a left view thereof;
FIG. 5 is a right view thereof;
FIG. 6 is a top view thereof;
FIG. 7 is a bottom view thereof; and,
FIG. 8 is another perspective view thereof.
The broken lines are included for illustrative purposes only and form no part of the claimed design.

1 Claim, 7 Drawing Sheets



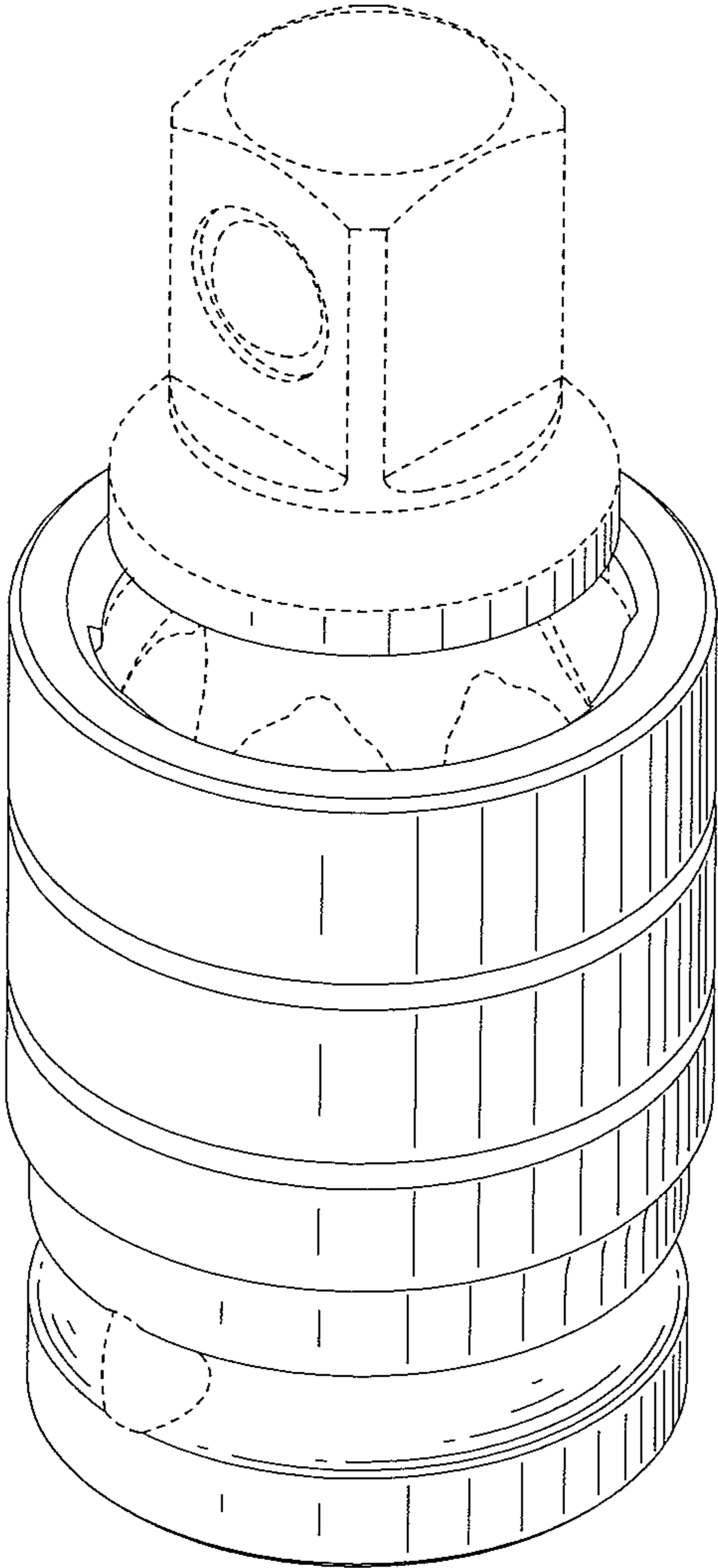


FIG.1

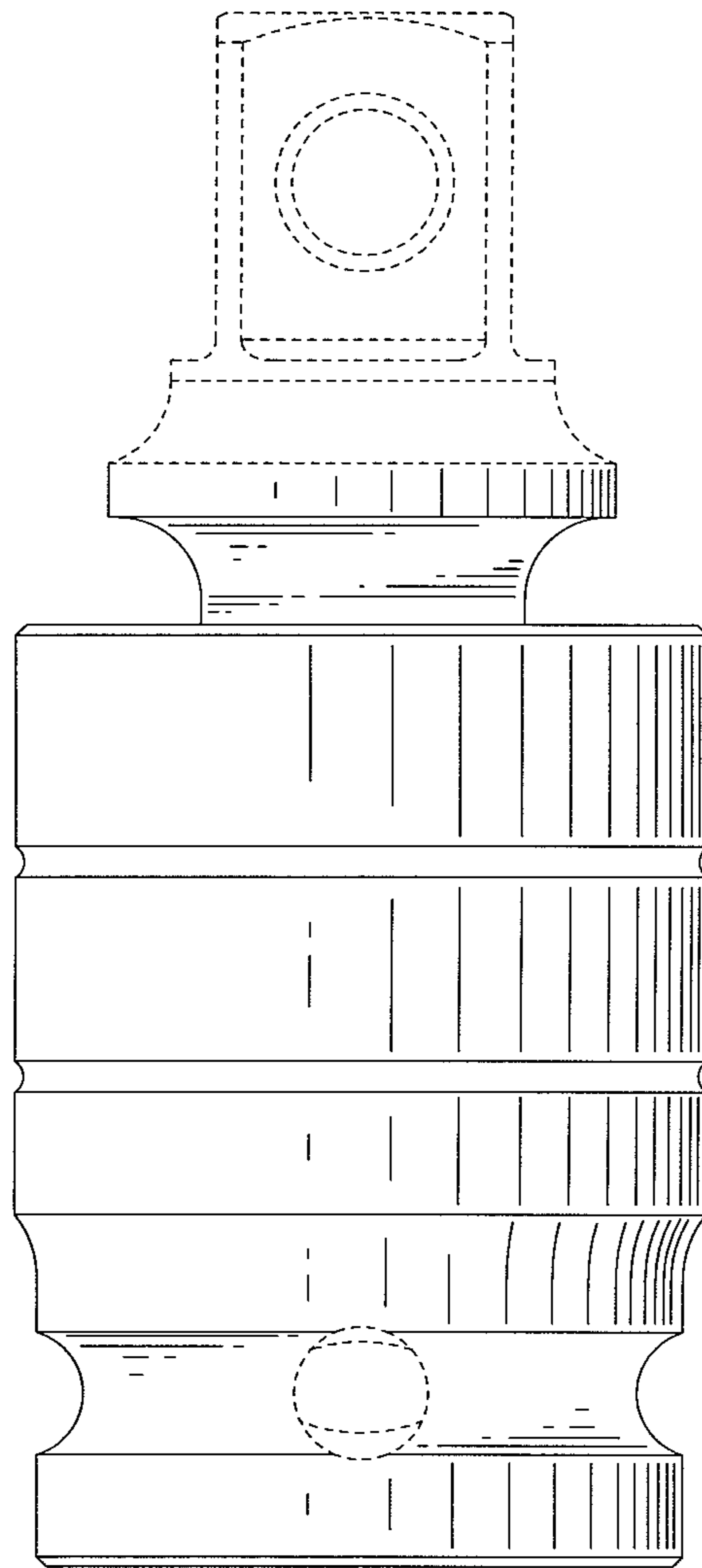


FIG.2

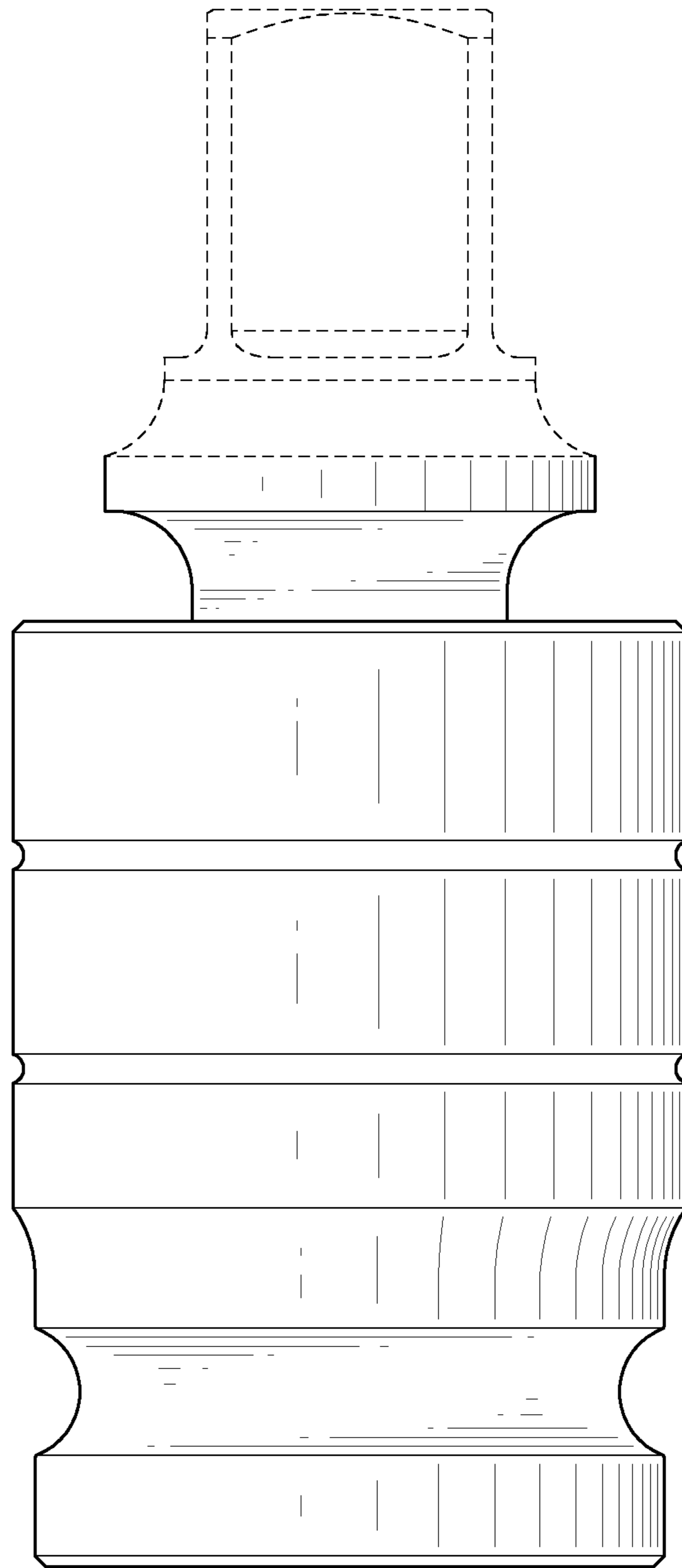


FIG.3

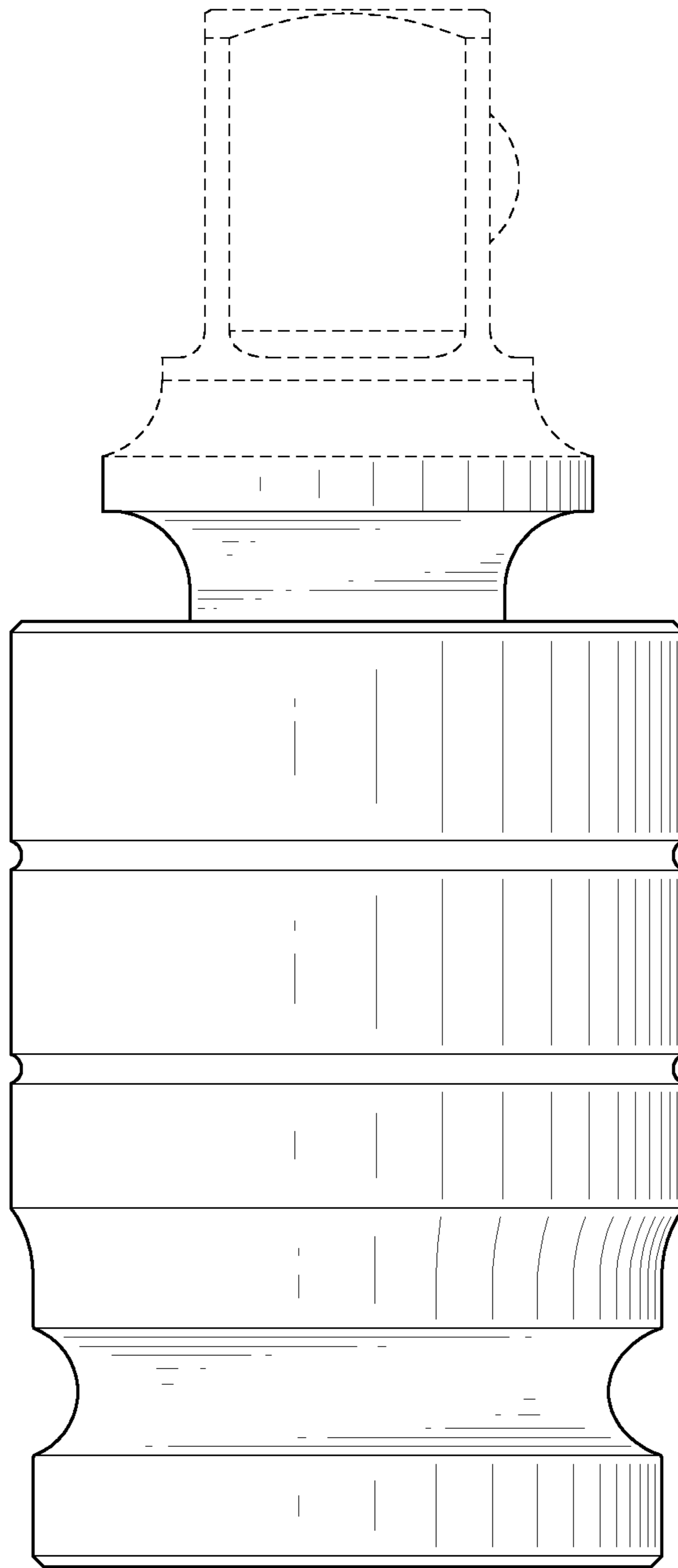


FIG.4

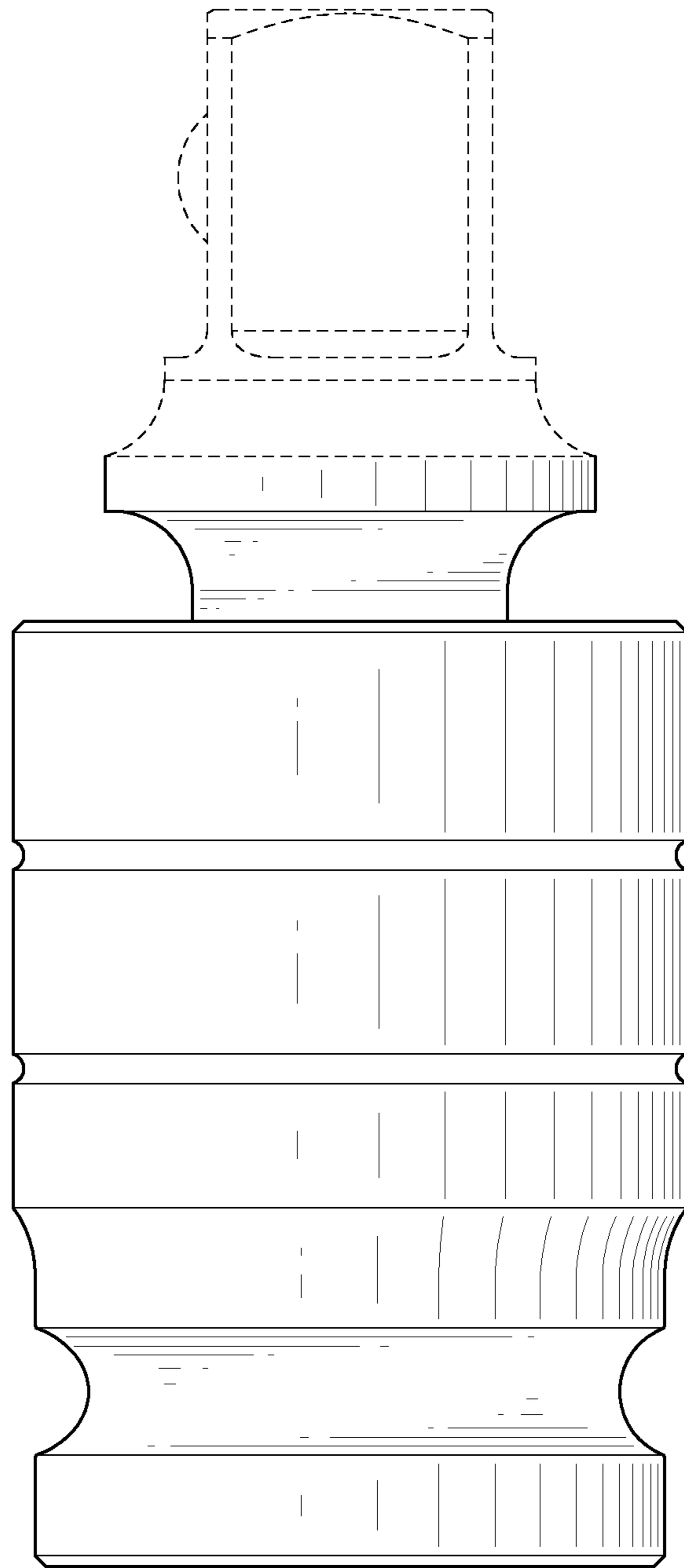


FIG.5

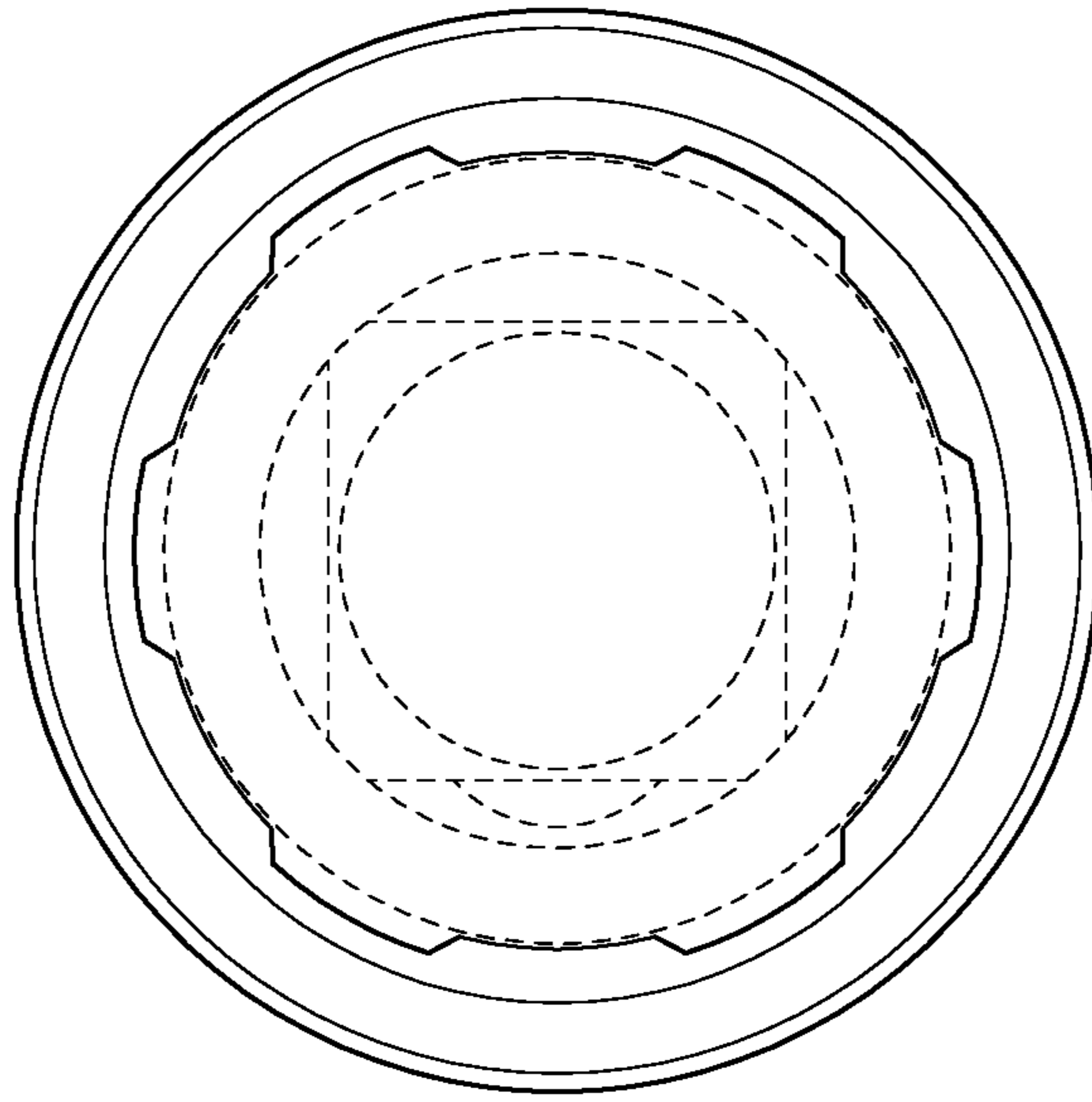


FIG. 6

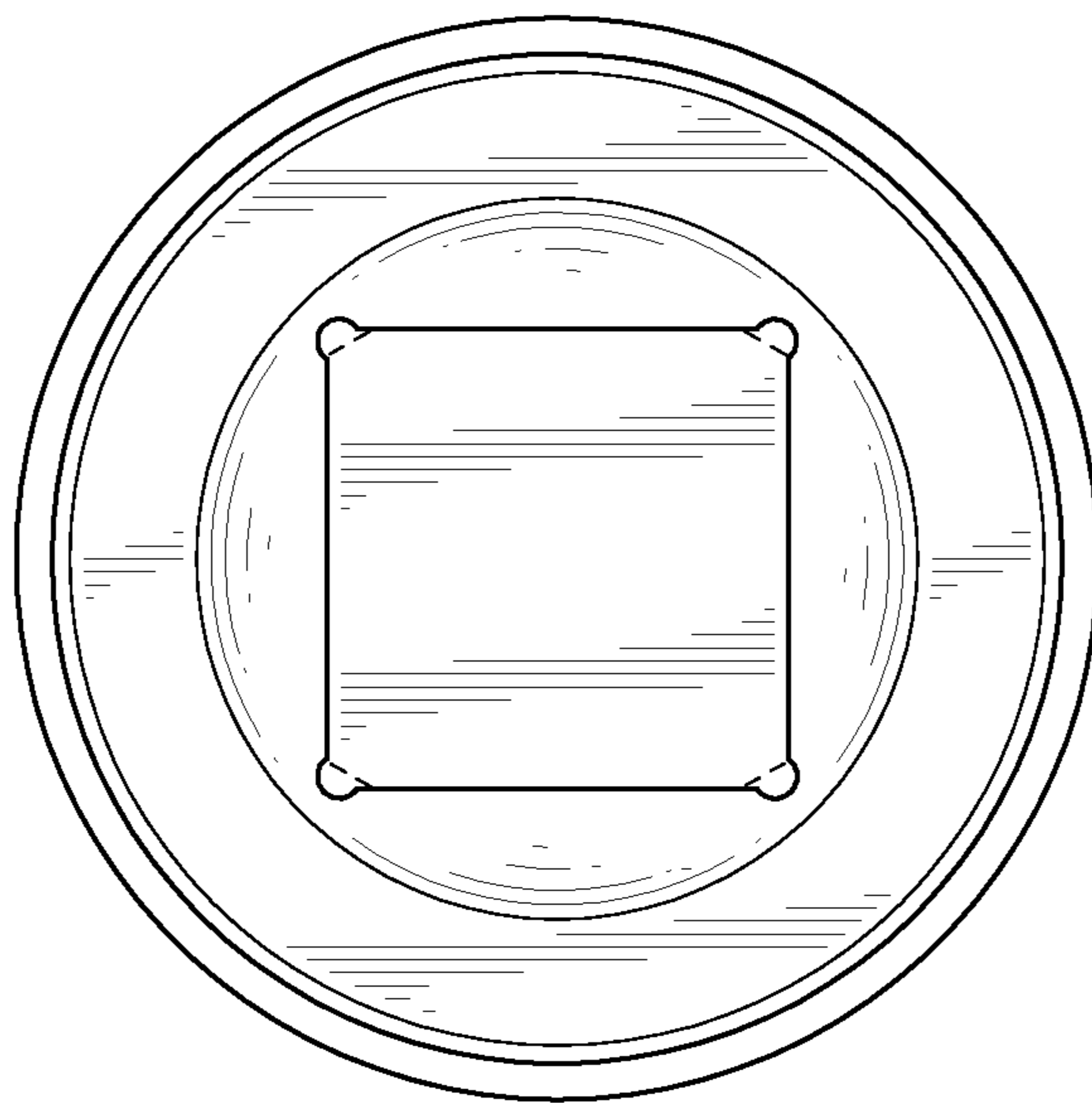


FIG. 7

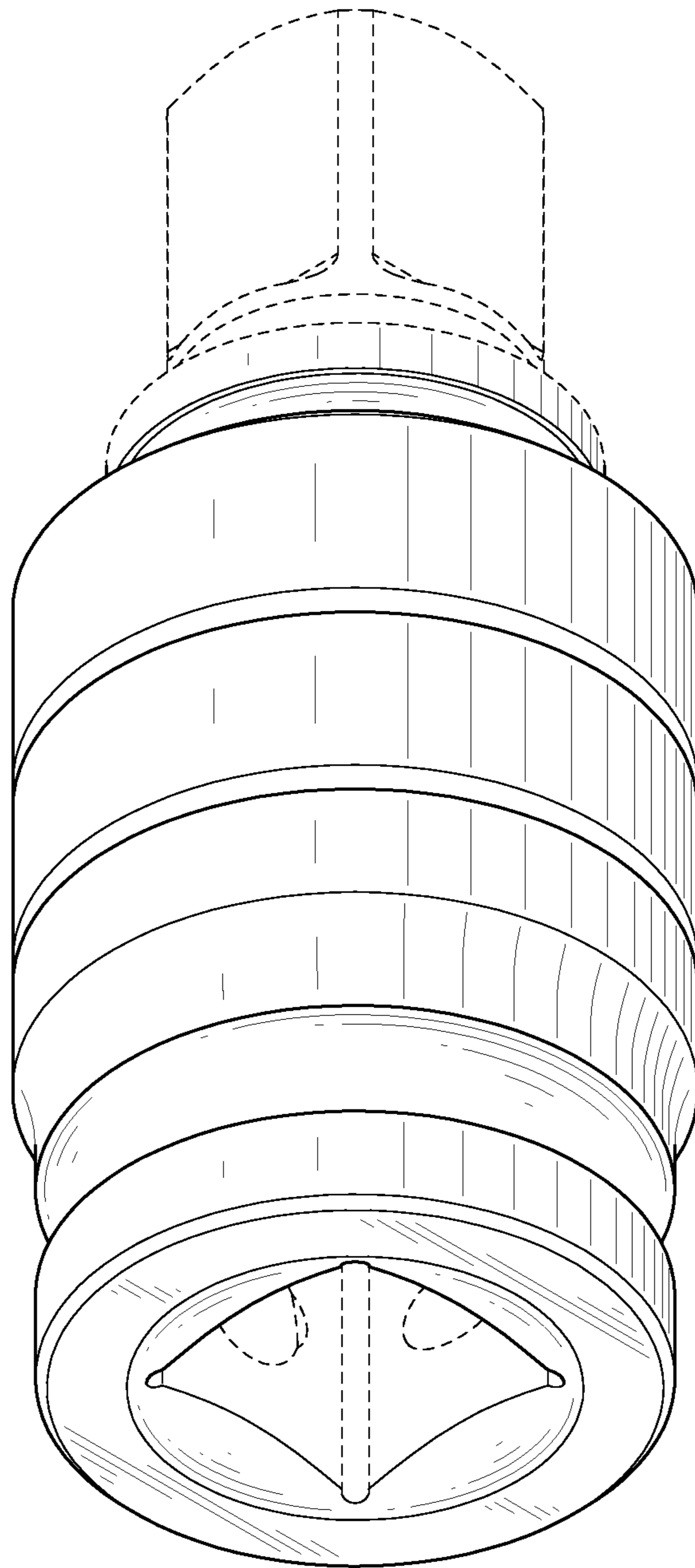


FIG.8