



US00D698636S

(12) **United States Design Patent**
Weinberg

(10) **Patent No.:** **US D698,636 S**
(45) **Date of Patent:** **** Feb. 4, 2014**

(54) **CORD MANAGEMENT CLIP**
(75) Inventor: **Robert Weinberg**, Spring Grove, IL (US)
(73) Assignee: **Allegiance Corporation**, McGaw Park, IL (US)
(**) Term: **14 Years**
(21) Appl. No.: **29/427,134**
(22) Filed: **Jul. 13, 2012**
(51) **LOC (10) Cl.** **08-08**
(52) **U.S. Cl.**
USPC **D8/394; D8/356**
(58) **Field of Classification Search**
USPC D8/354, 356, 371, 394-396; D19/65, D19/86; D24/128; 248/74.2, 215, 227.1, 49, 248/300, 301, 316.7, 51, 489; 24/570, 3.12; D32/61; D11/78.1
See application file for complete search history.

(56) **References Cited**
U.S. PATENT DOCUMENTS
947,764 A * 1/1910 Schartow 24/375
D292,385 S * 10/1987 Udelhofen D11/210
(Continued)

Primary Examiner — John Windmuller
(74) *Attorney, Agent, or Firm* — Arent Fox LLP

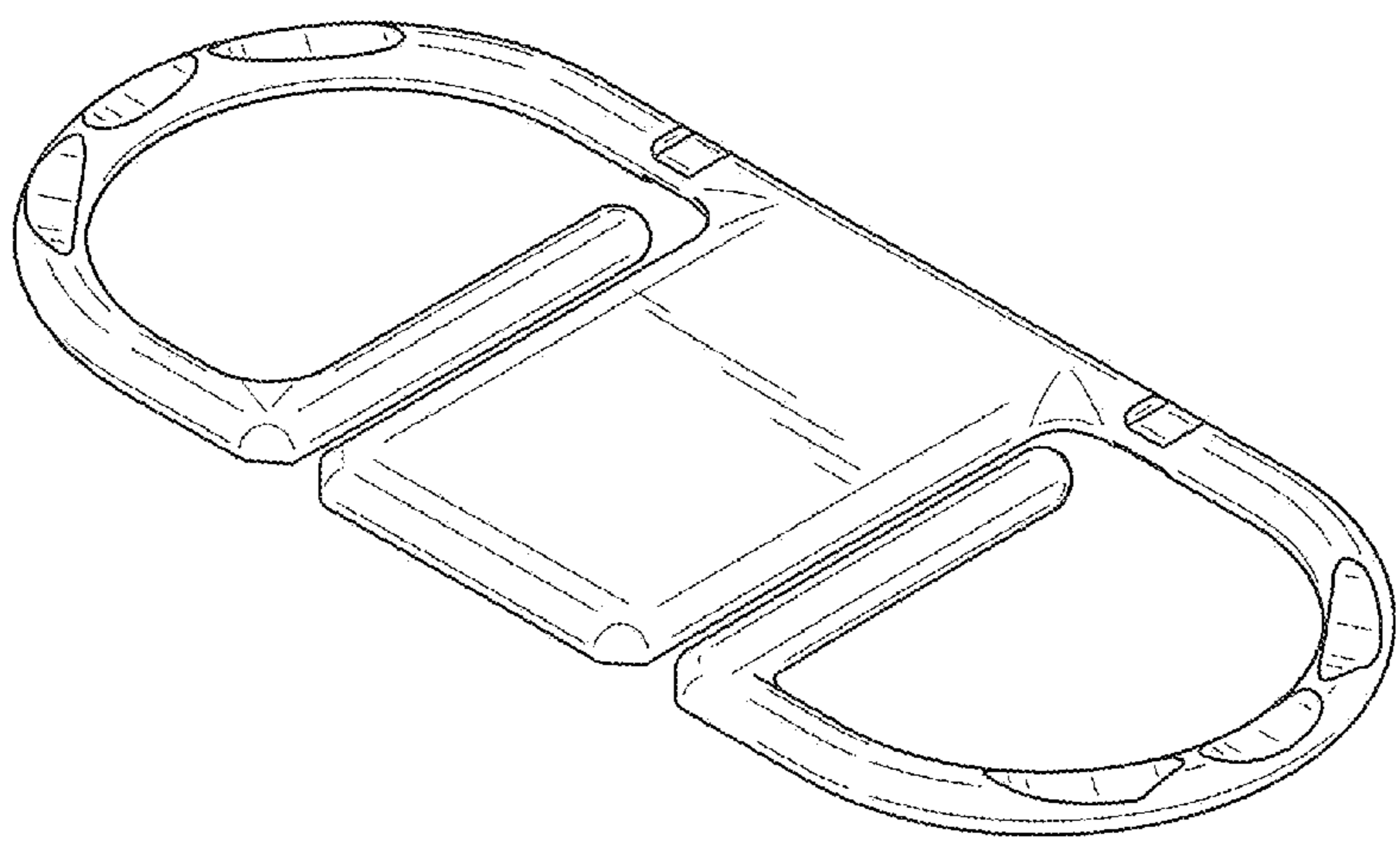
(57) **CLAIM**
The ornamental design for a cord management clip, as shown and described.

DESCRIPTION

FIG. 1 is a top perspective view of a cord management clip showing my new design, according to a first embodiment; FIG. 2 is a bottom perspective view of the design shown in FIG. 1; FIG. 3 is a front view of the design shown in FIG. 1; FIG. 4 is a back view of the design shown in FIG. 1; FIG. 5 is a left side view of the design shown in FIG. 1;

FIG. 6 is a right side view of the design shown in FIG. 1; FIG. 7 is a top view of the design shown in FIG. 1; FIG. 8 is a bottom view of the design shown in FIG. 1; FIG. 9 is a top perspective view of a cord management clip showing my new design, according to a second embodiment; FIG. 10 is a bottom perspective view of the design shown in FIG. 9; FIG. 11 is a front view of the design shown in FIG. 9; FIG. 12 is a back view of the design shown in FIG. 9; FIG. 13 is a left side view of the design shown in FIG. 9; FIG. 14 is a right side view of the design shown in FIG. 9; FIG. 15 is a top view of the design shown in FIG. 9; FIG. 16 is a bottom view of the design shown in FIG. 9; FIG. 17 is a top perspective view of a cord management clip showing my new design, according to a third embodiment; FIG. 18 is a bottom perspective view of the design shown in FIG. 17; FIG. 19 is a front view of the design shown in FIG. 17; FIG. 20 is a back view of the design shown in FIG. 17; FIG. 21 is a left side view of the design shown in FIG. 17; FIG. 22 is a right side view of the design shown in FIG. 17; FIG. 23 is a top view of the design shown in FIG. 17; FIG. 24 is a bottom view of the design shown in FIG. 17; FIG. 25 is a top perspective view of a cord management clip showing my new design, according to a fourth embodiment; FIG. 26 is a bottom perspective view of the design shown in FIG. 25; FIG. 27 is a front view of the design shown in FIG. 25; FIG. 28 is a back view of the design shown in FIG. 25; FIG. 29 is a left side view of the design shown in FIG. 25; FIG. 30 is a right side view of the design shown in FIG. 25; FIG. 31 is a top view of the design shown in FIG. 25; FIG. 32 is a bottom view of the design shown in FIG. 25; FIG. 33 is a top perspective view of a cord management clip showing my new design, according to a fifth embodiment; FIG. 34 is a bottom perspective view of the design shown in FIG. 33; FIG. 35 is a front view of the design shown in FIG. 33; FIG. 36 is a back view of the design shown in FIG. 33; FIG. 37 is a left side view of the design shown in FIG. 33; FIG. 38 is a right side view of the design shown in FIG. 33; FIG. 39 is a top view of the design shown in FIG. 33; and, FIG. 40 is a bottom view of the design shown in FIG. 33.

1 Claim, 15 Drawing Sheets



(56)

References Cited

U.S. PATENT DOCUMENTS

D444,685 S * 7/2001 Shenkel et al. D8/18
6,511,214 B1 * 1/2003 Parsons et al. 362/398
D494,055 S * 8/2004 Jones et al. D8/395
6,824,292 B2 * 11/2004 Parsons et al. 362/157
D528,238 S * 9/2006 Kramer D26/38
D539,122 S * 3/2007 Tsai D8/358
D573,493 S * 7/2008 Tsai D10/72

D577,574 S * 9/2008 Liang D8/367
D584,132 S * 1/2009 Judd D8/356
D592,039 S * 5/2009 Okuda D8/356
D607,712 S * 1/2010 Kelleghan D8/356
D610,208 S * 2/2010 Hou D21/453
D614,017 S * 4/2010 Bender D8/356
D626,393 S * 11/2010 Ormsbee D8/34
D646,556 S * 10/2011 Kelleghan D8/356
D652,710 S * 1/2012 Yokota et al. D8/356

* cited by examiner

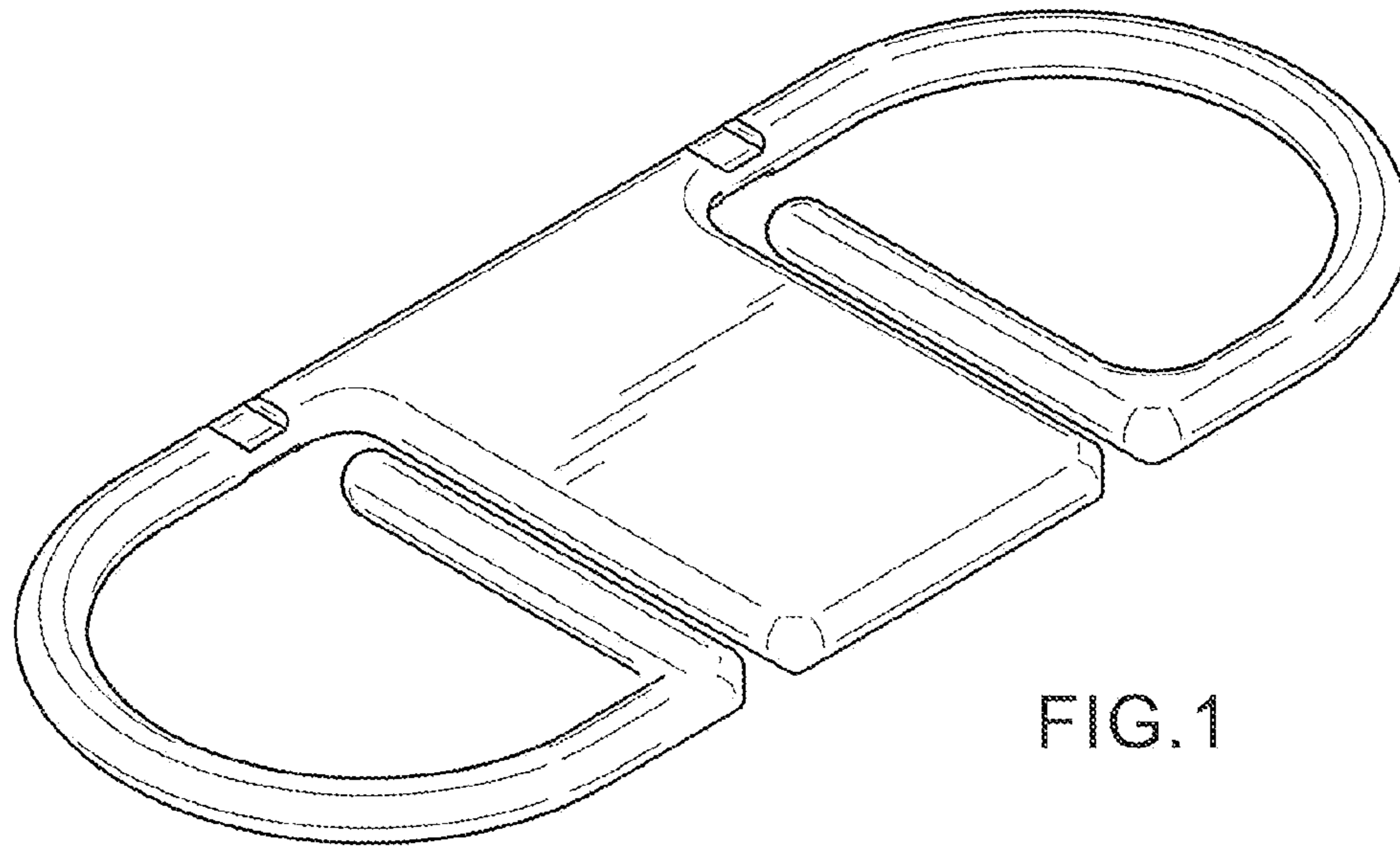


FIG. 1

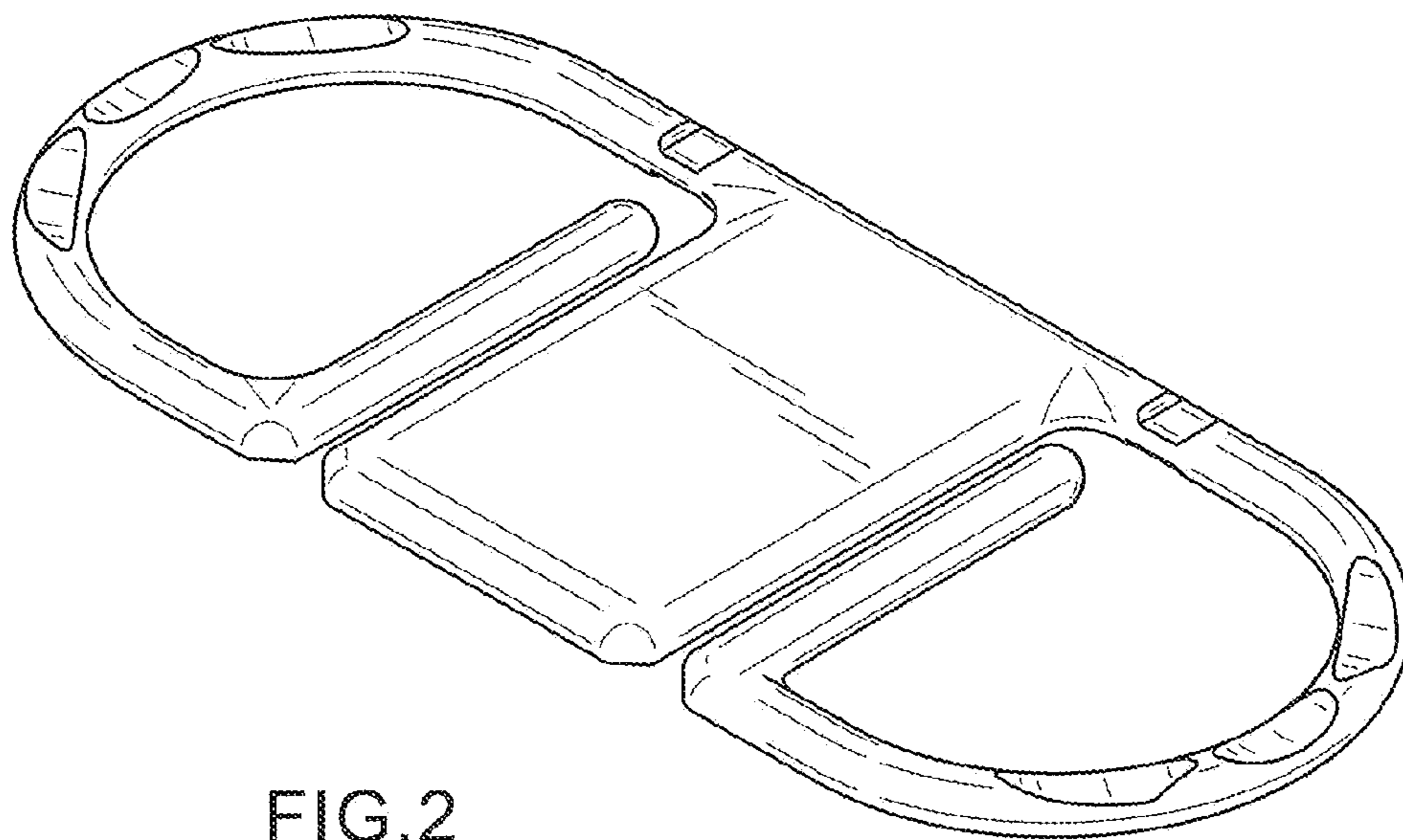


FIG. 2

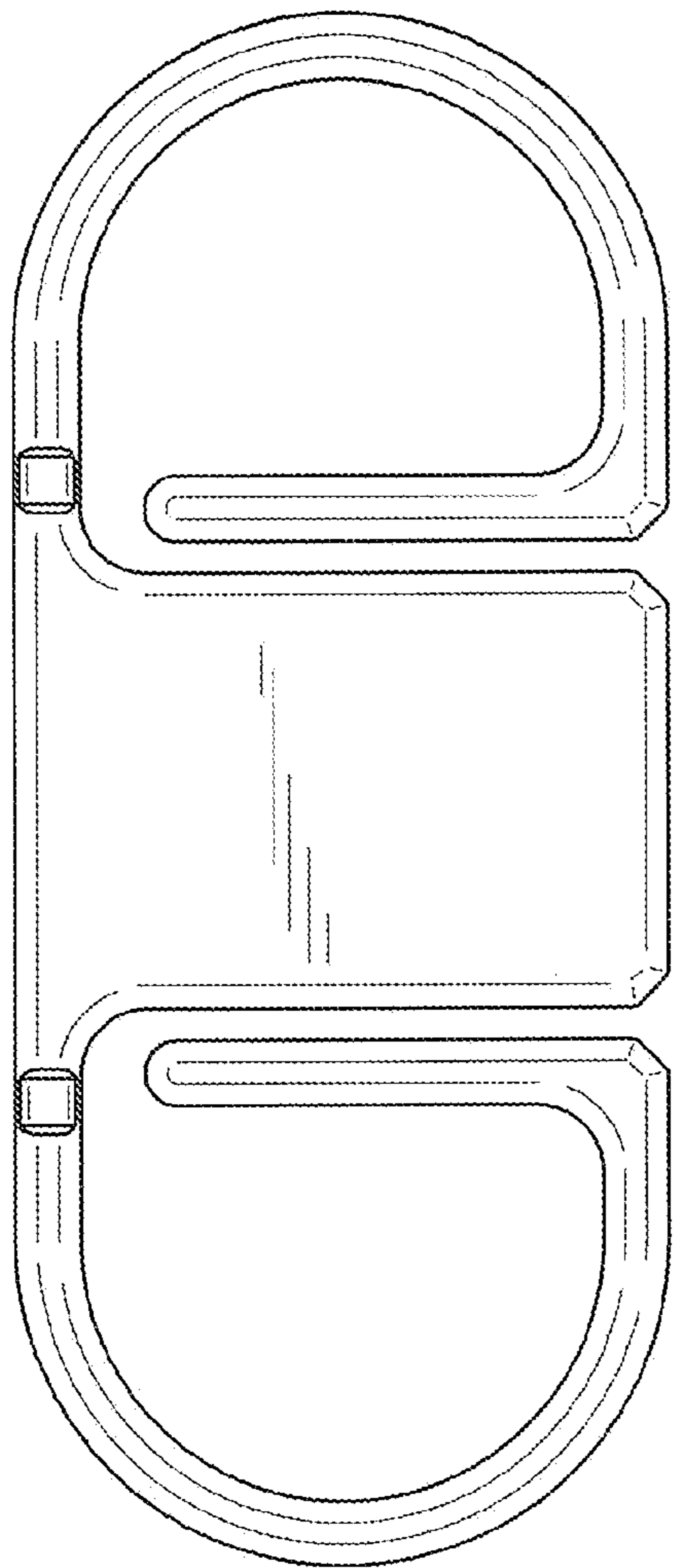


FIG.3

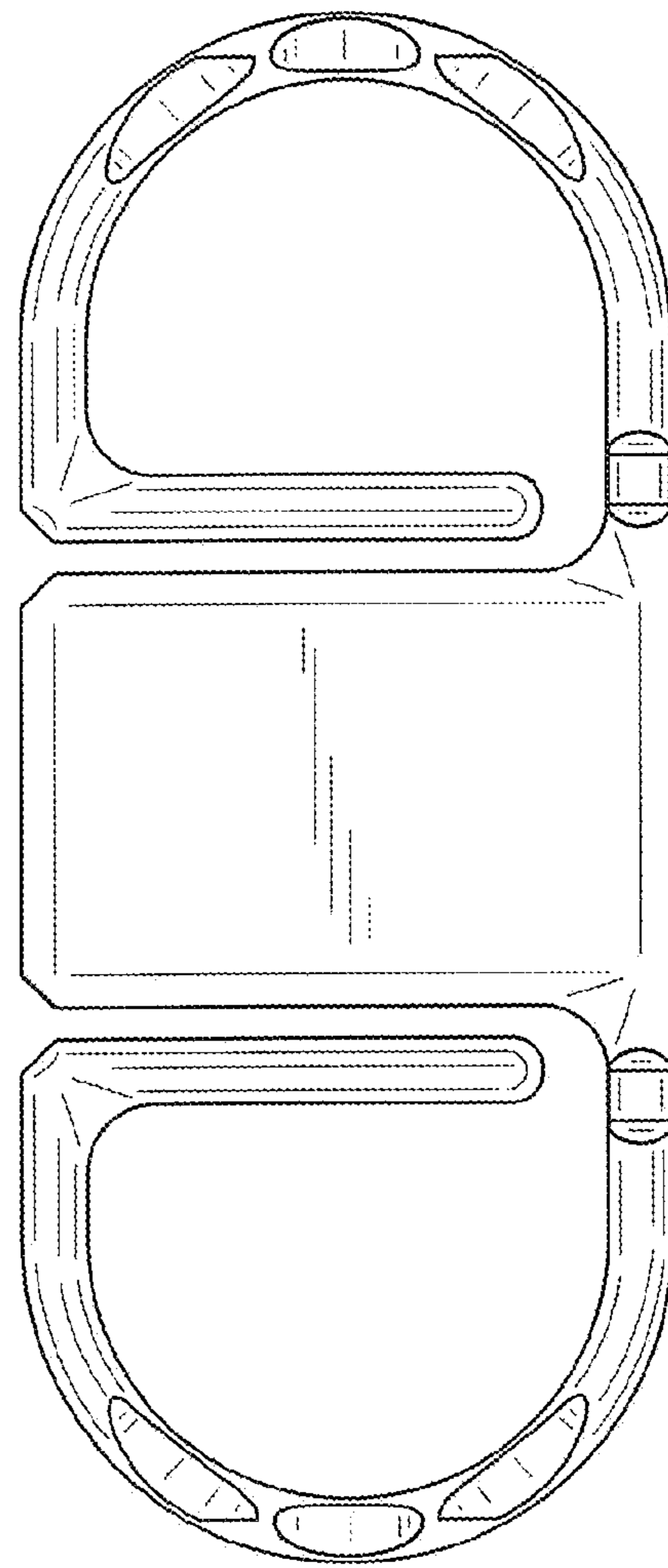


FIG.4

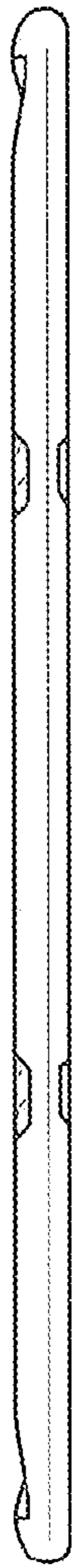


FIG. 5

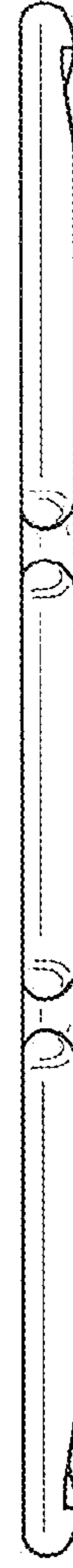


FIG. 6

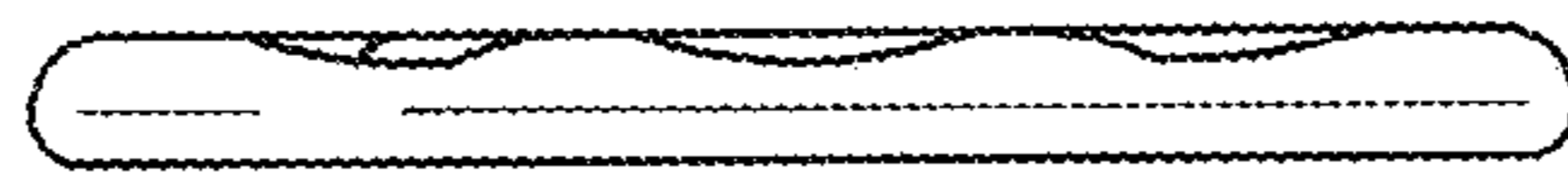


FIG. 7

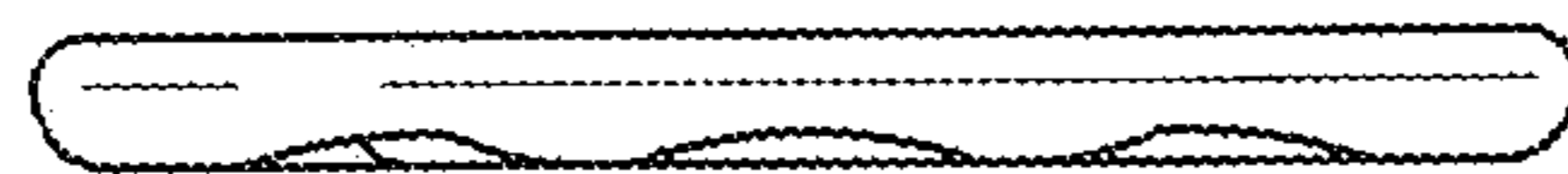


FIG. 8

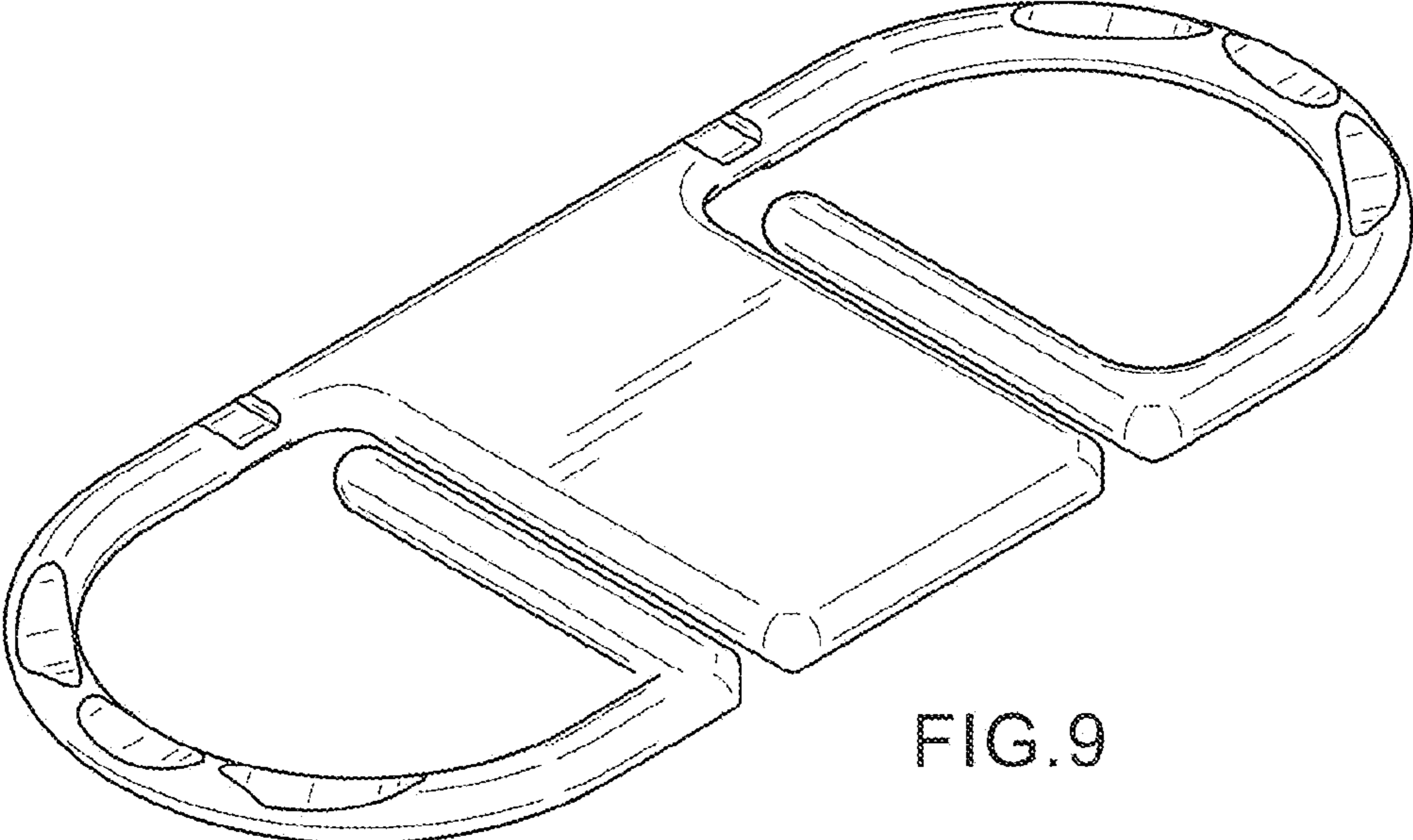


FIG. 9

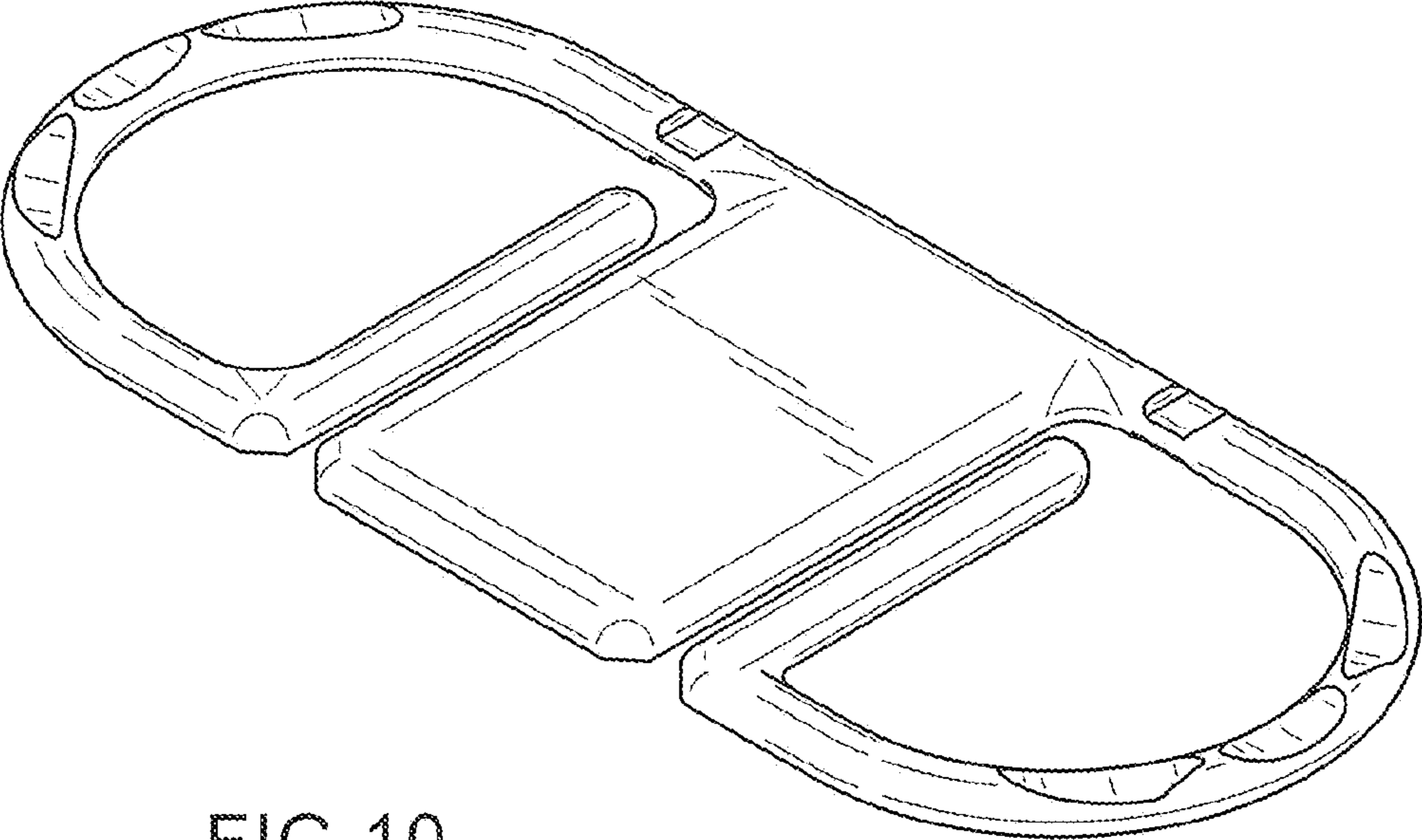


FIG. 10

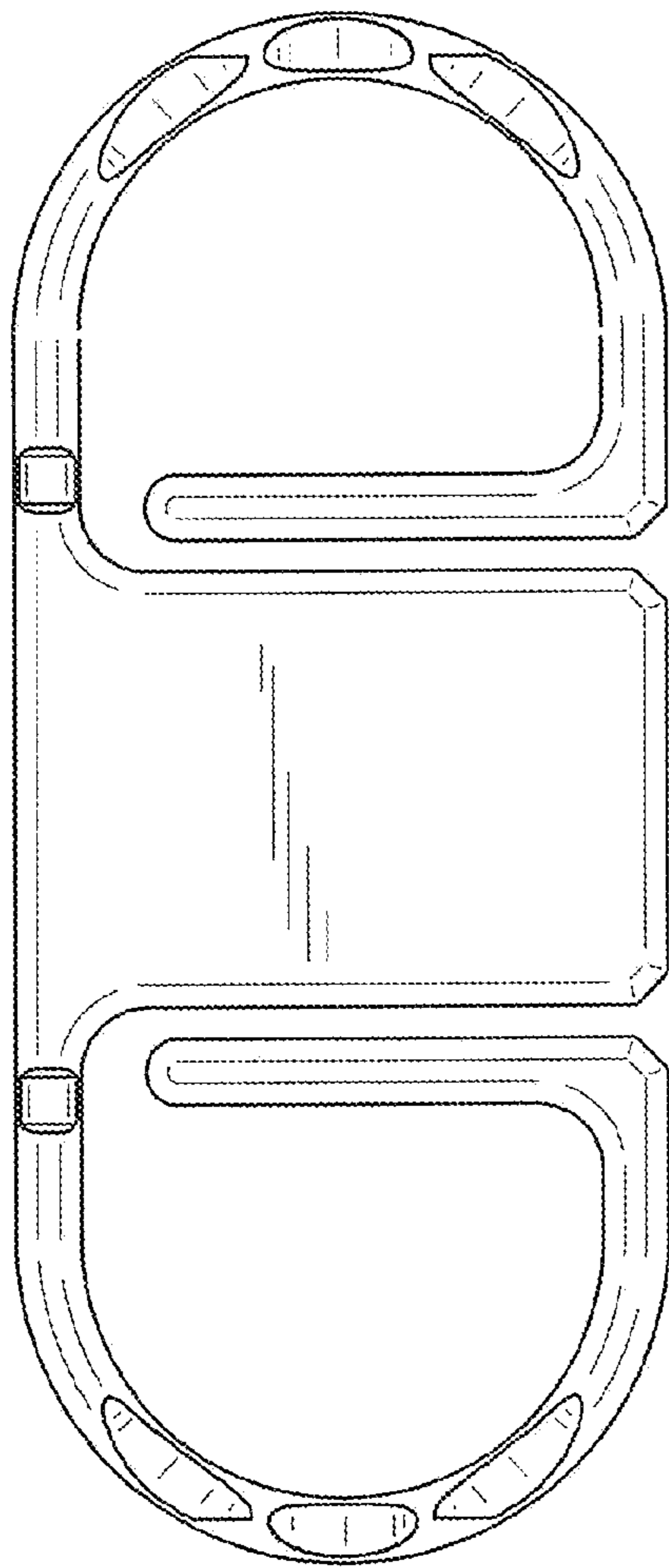


FIG. 11

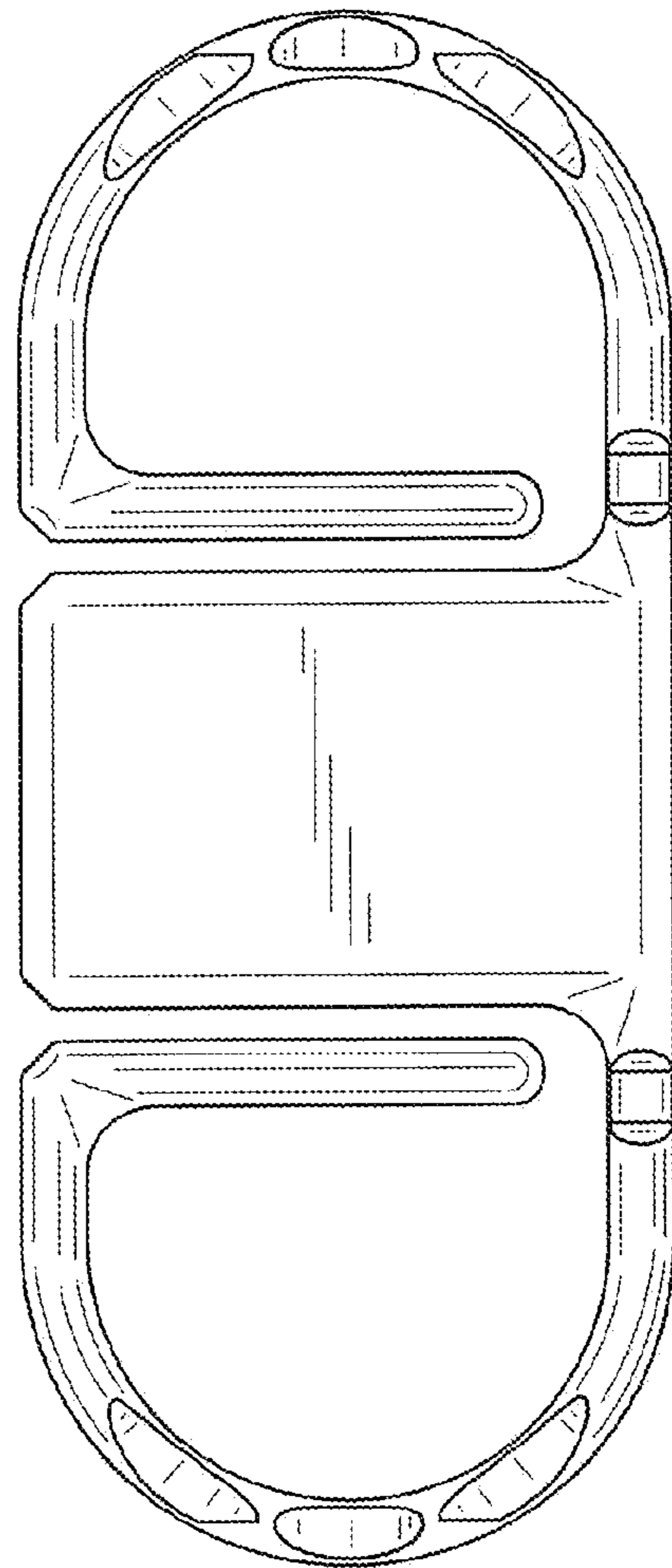


FIG. 12

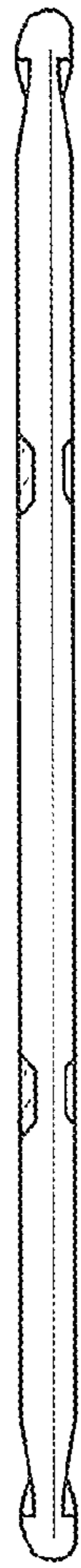


FIG. 13



FIG. 14

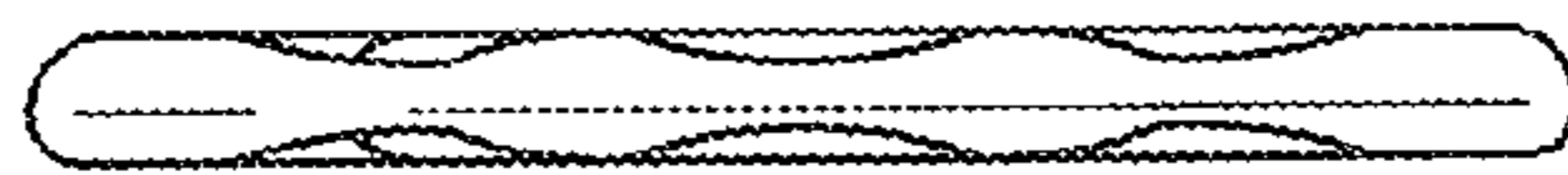


FIG. 15

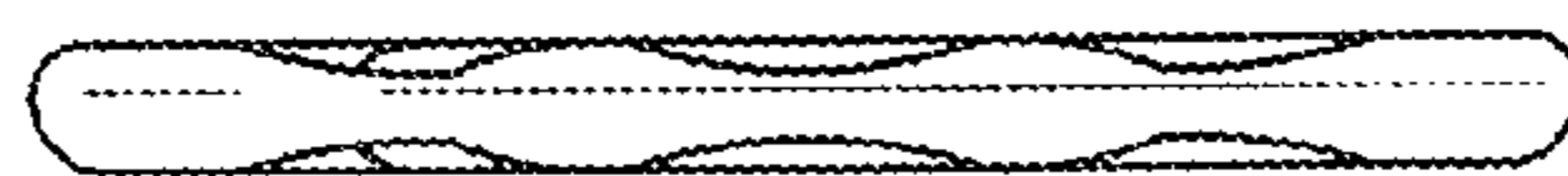


FIG. 16

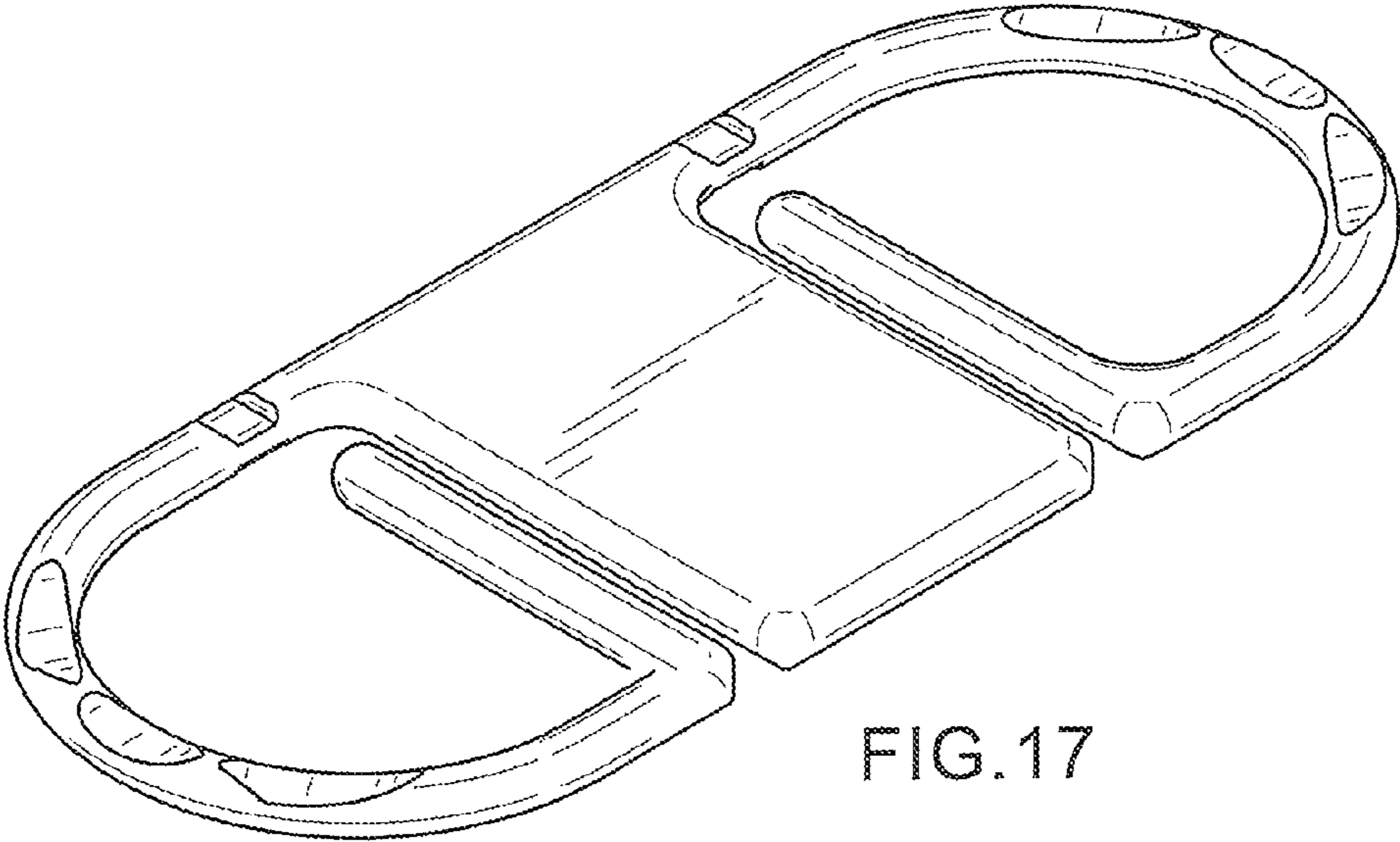


FIG.17

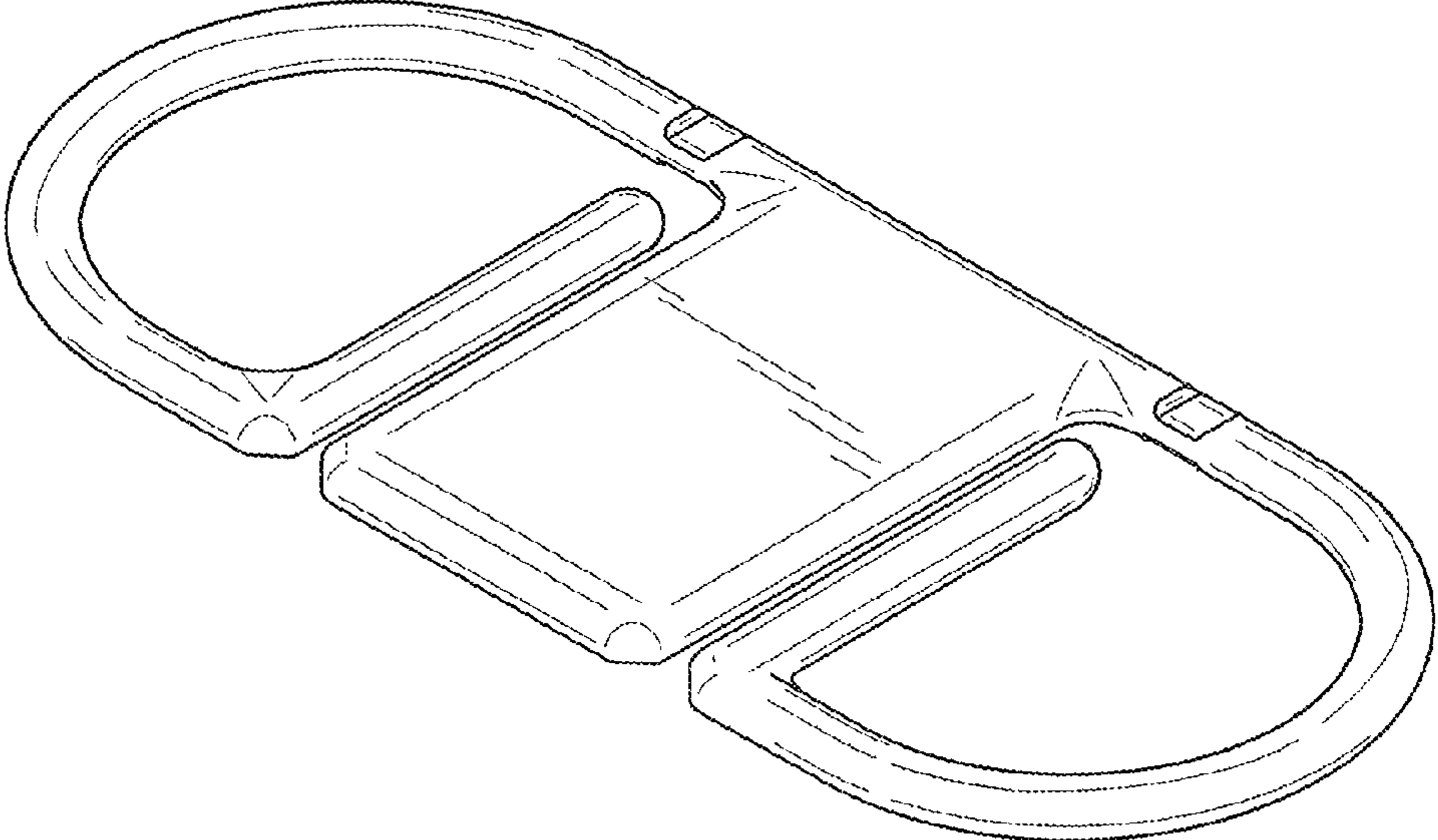


FIG.18

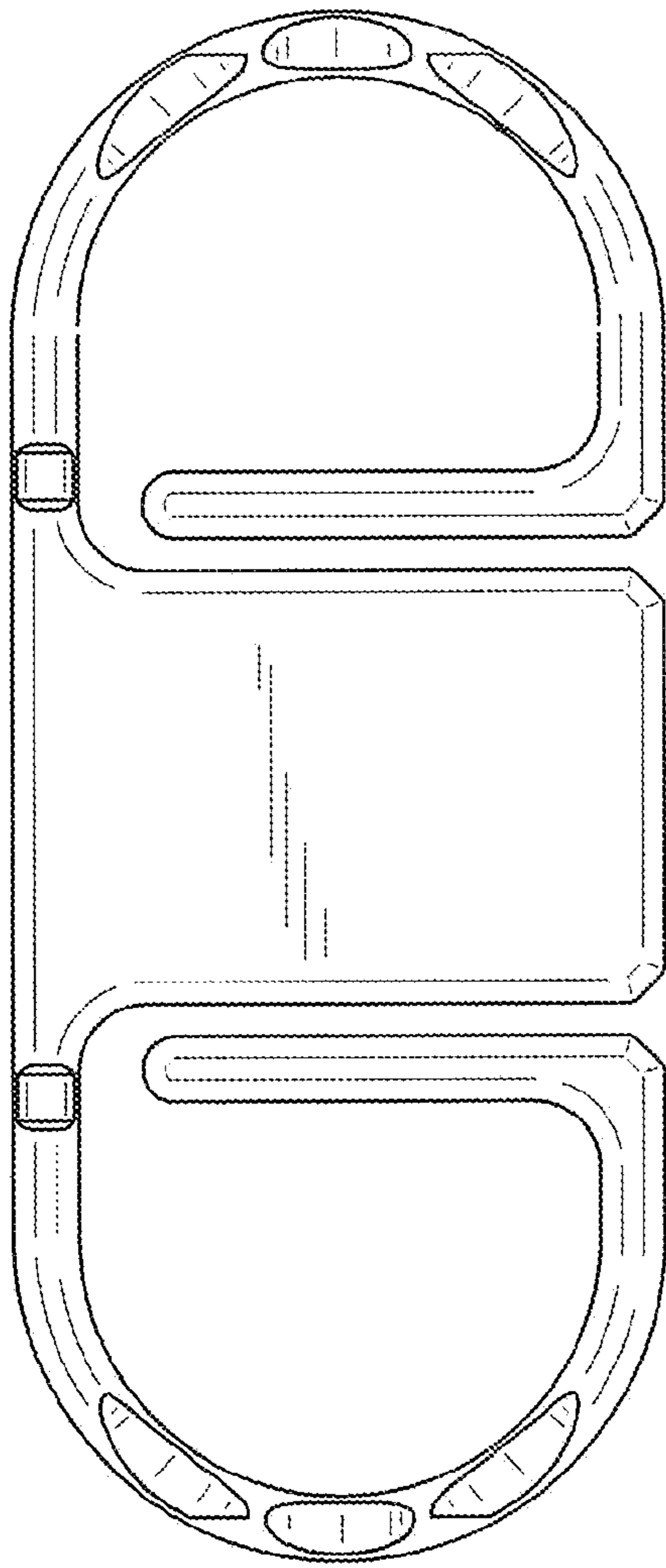


FIG. 19

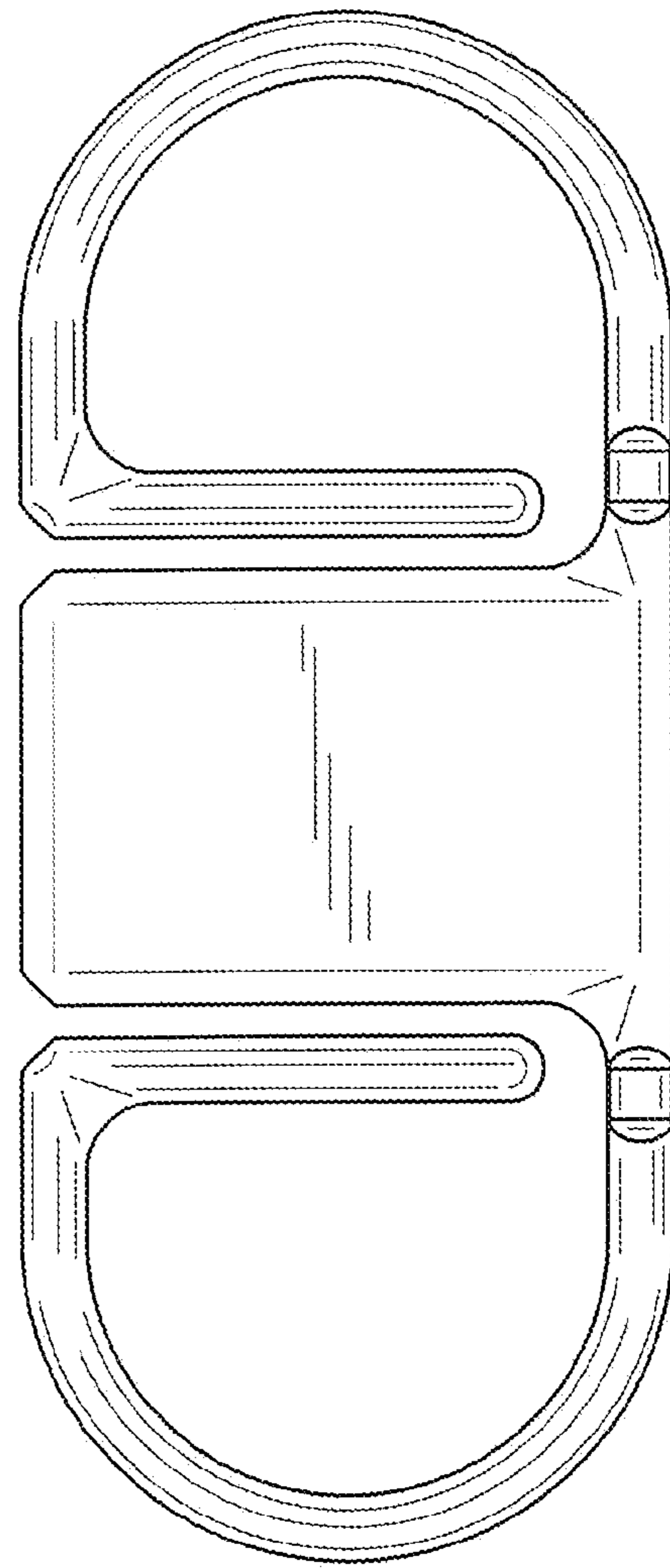


FIG. 20



FIG. 21



FIG. 22

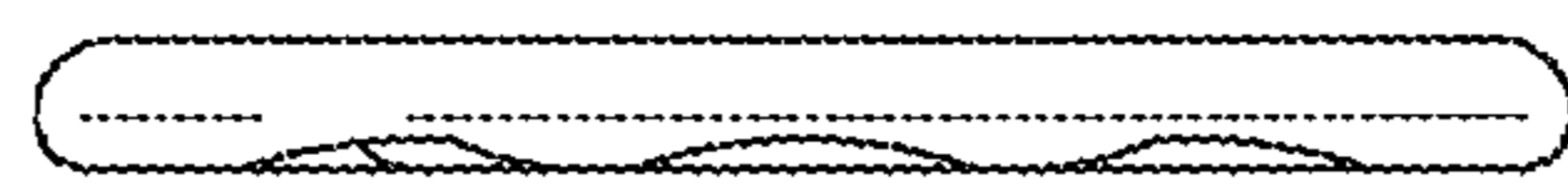


FIG. 23

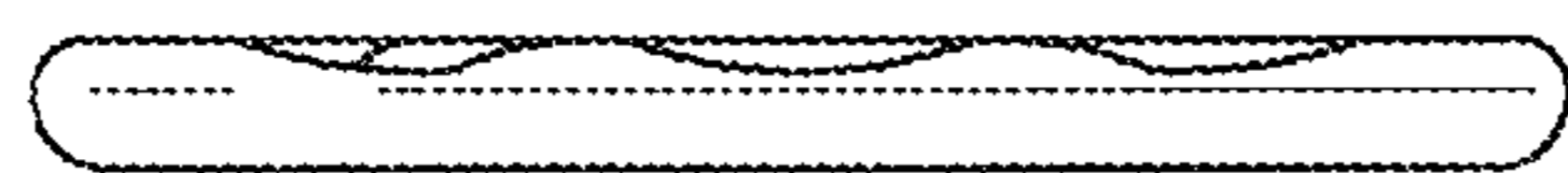


FIG. 24

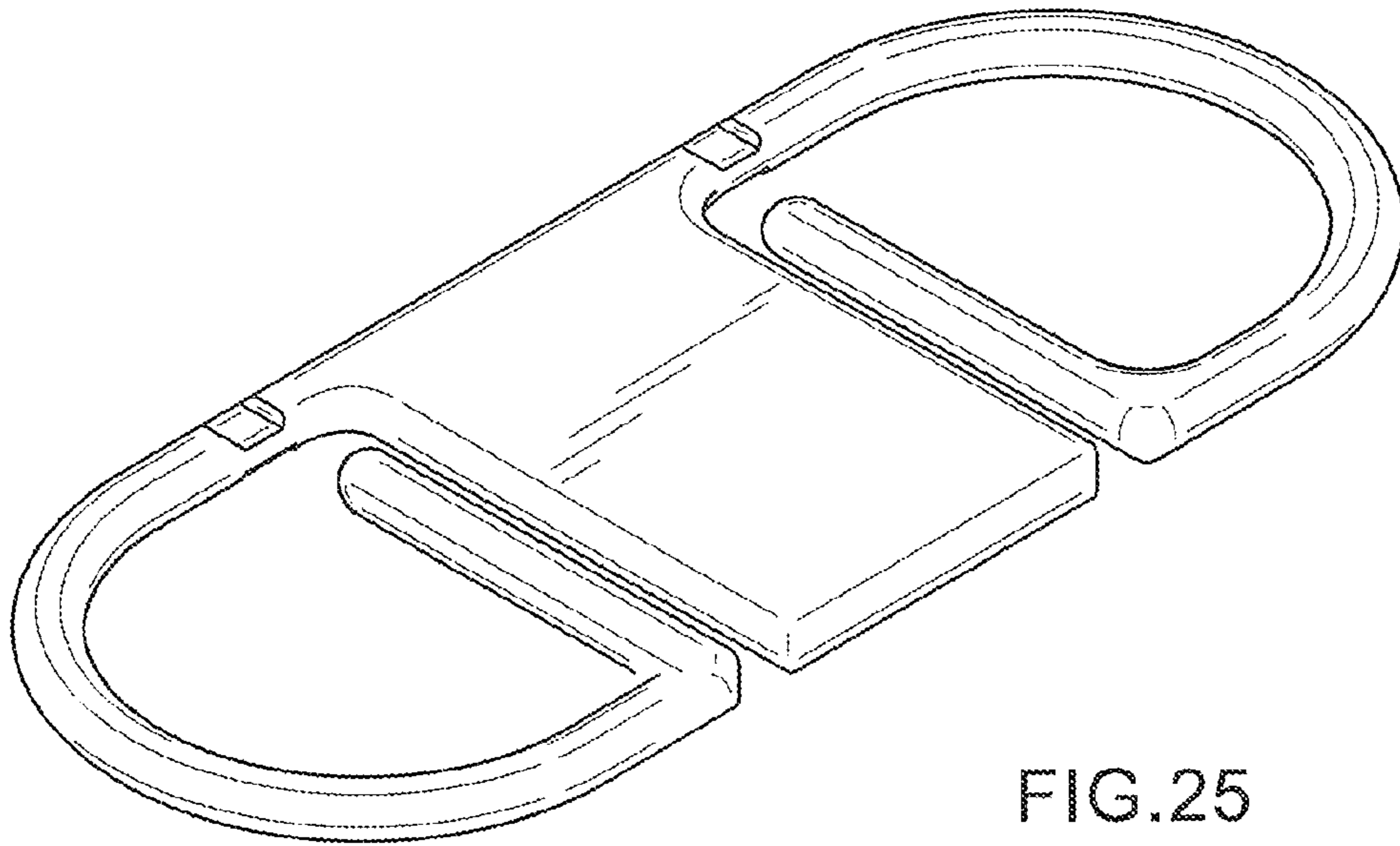


FIG. 25

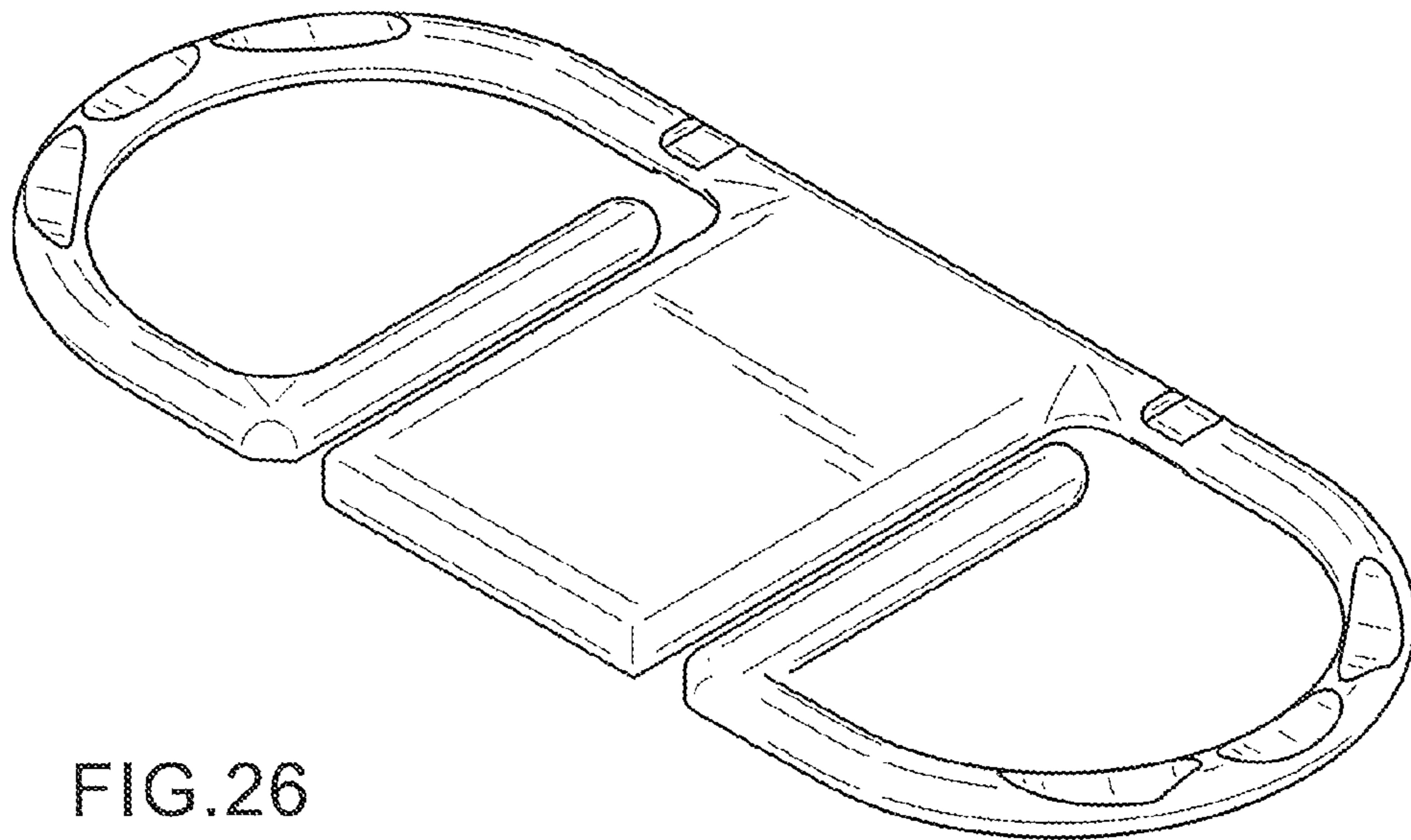


FIG. 26

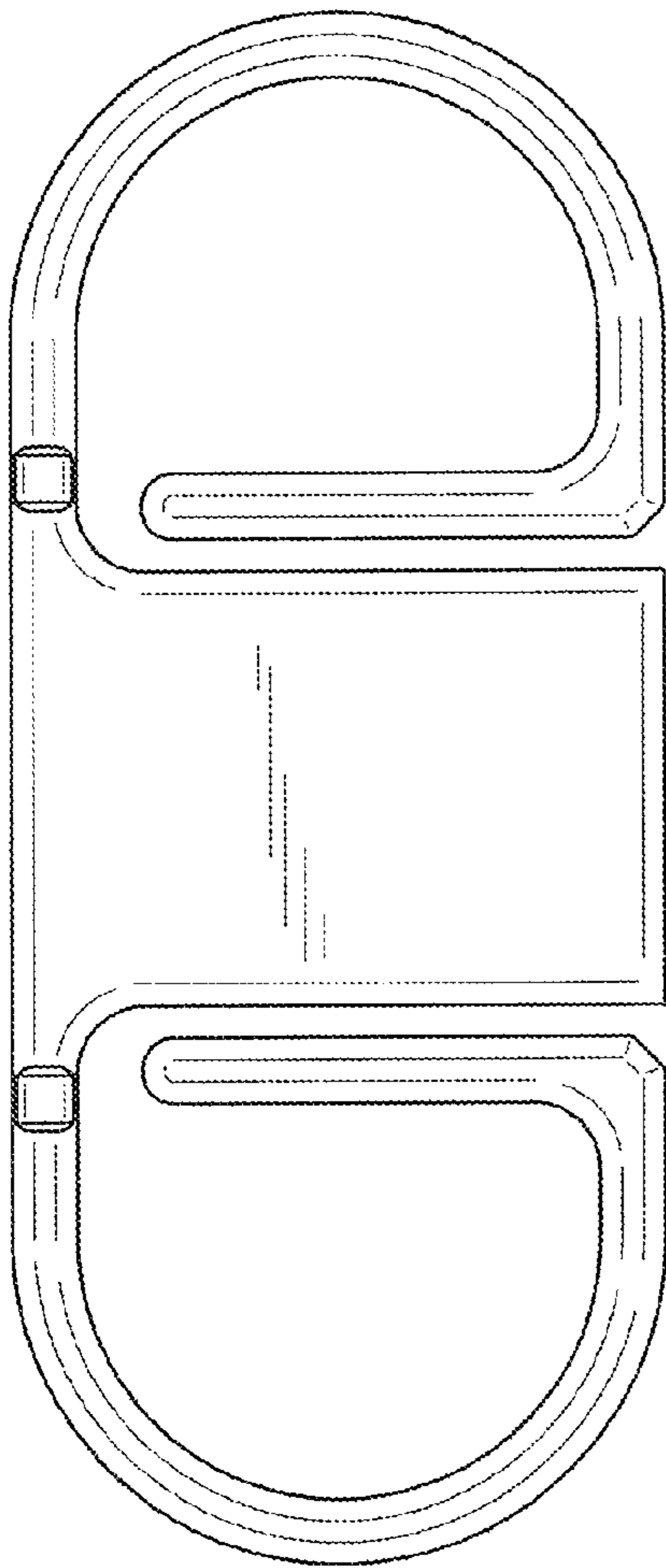


FIG. 27

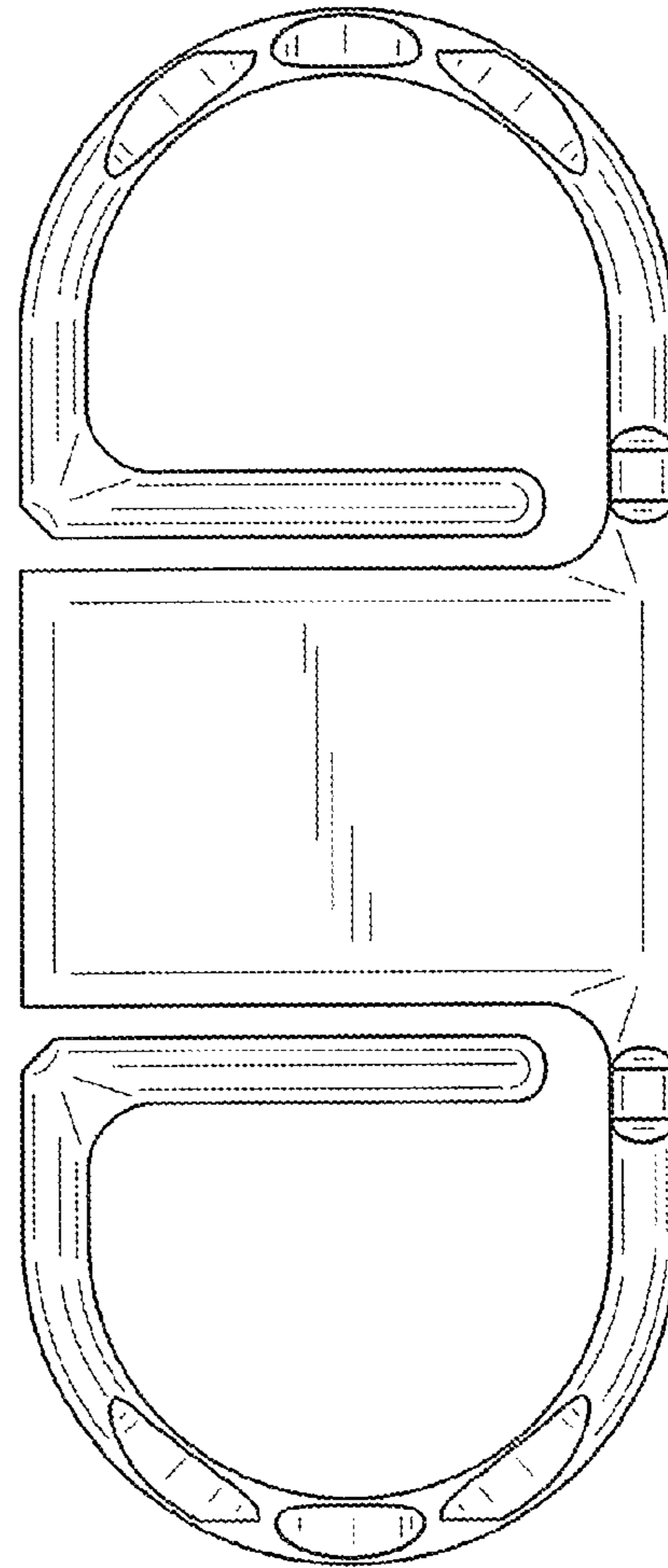


FIG. 28

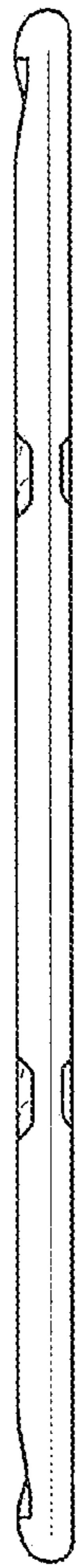


FIG. 29

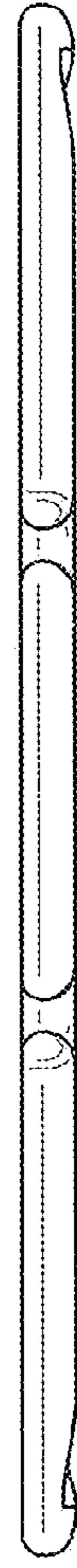


FIG. 30

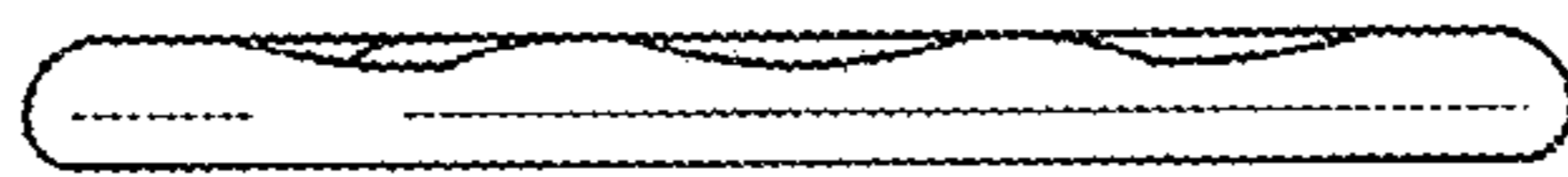


FIG. 31

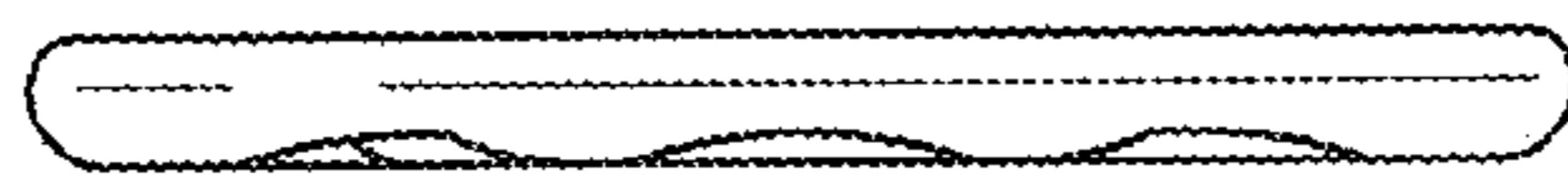


FIG. 32

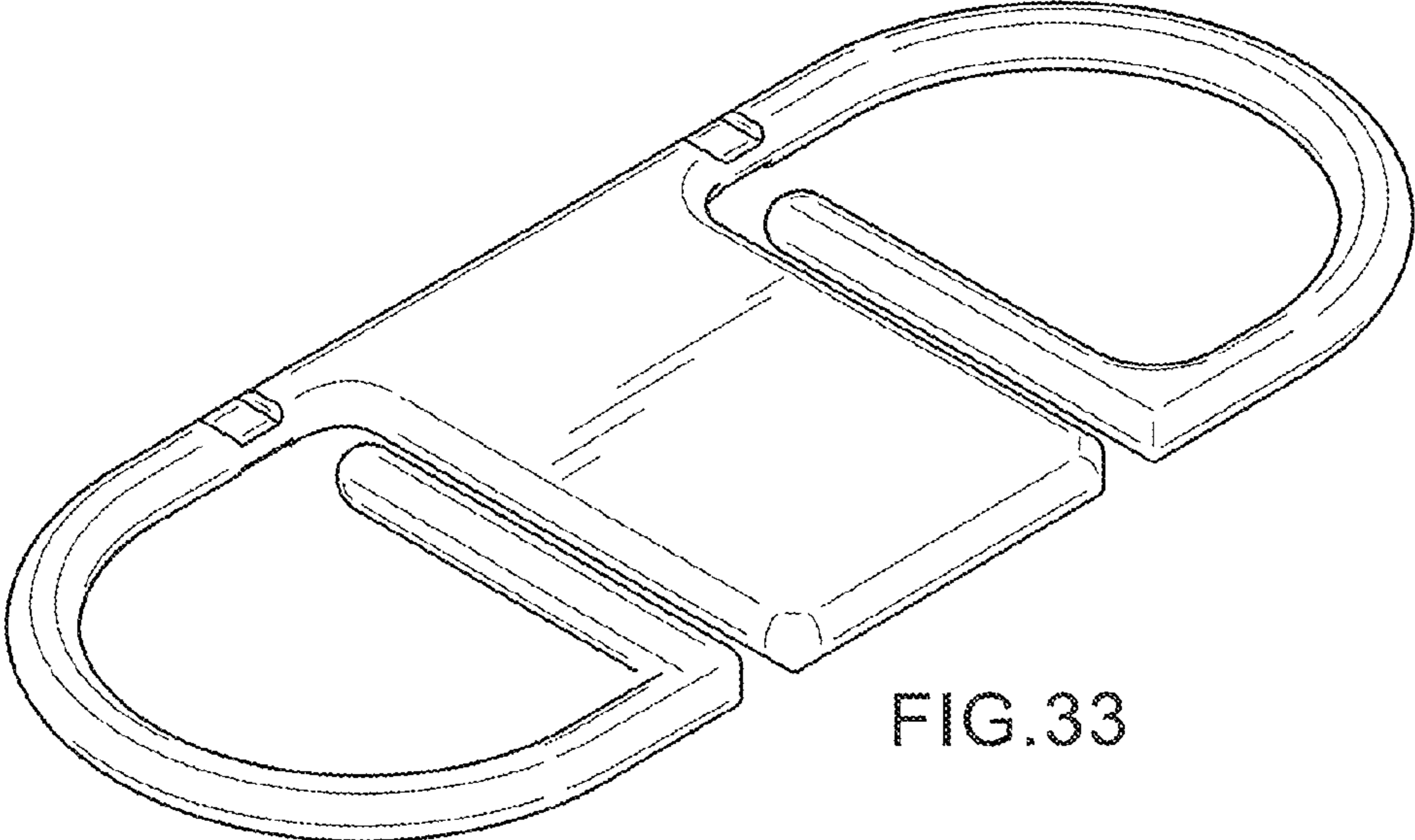


FIG. 33

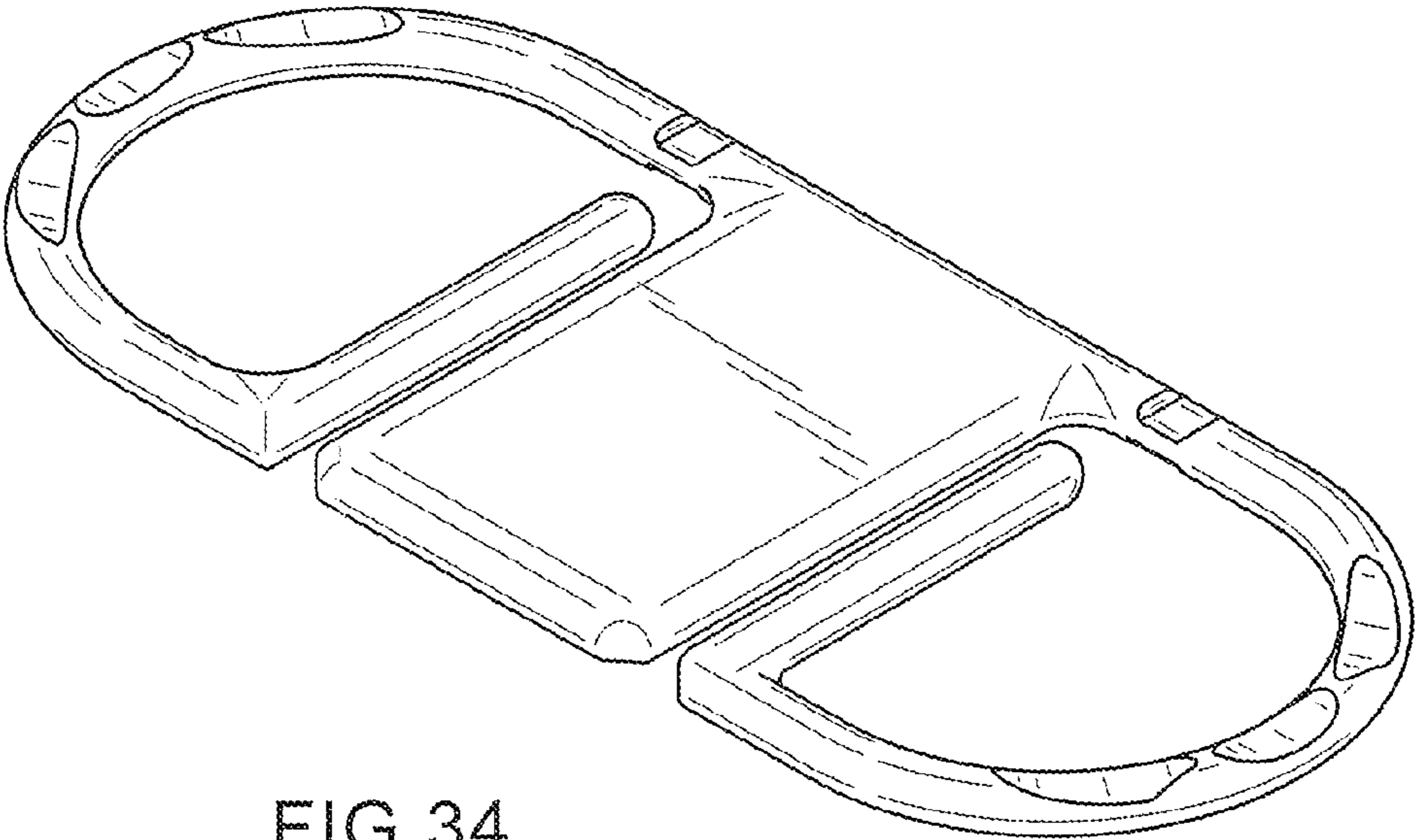


FIG. 34

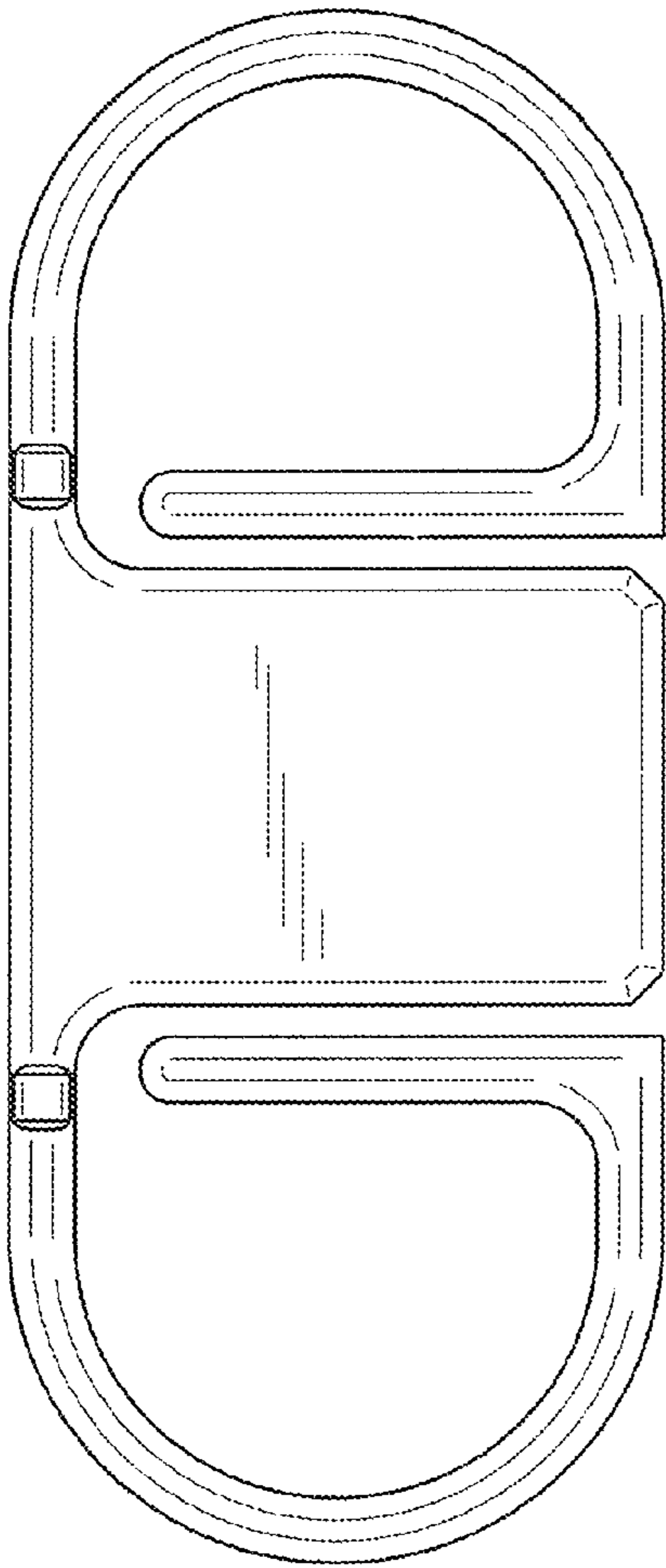


FIG. 35

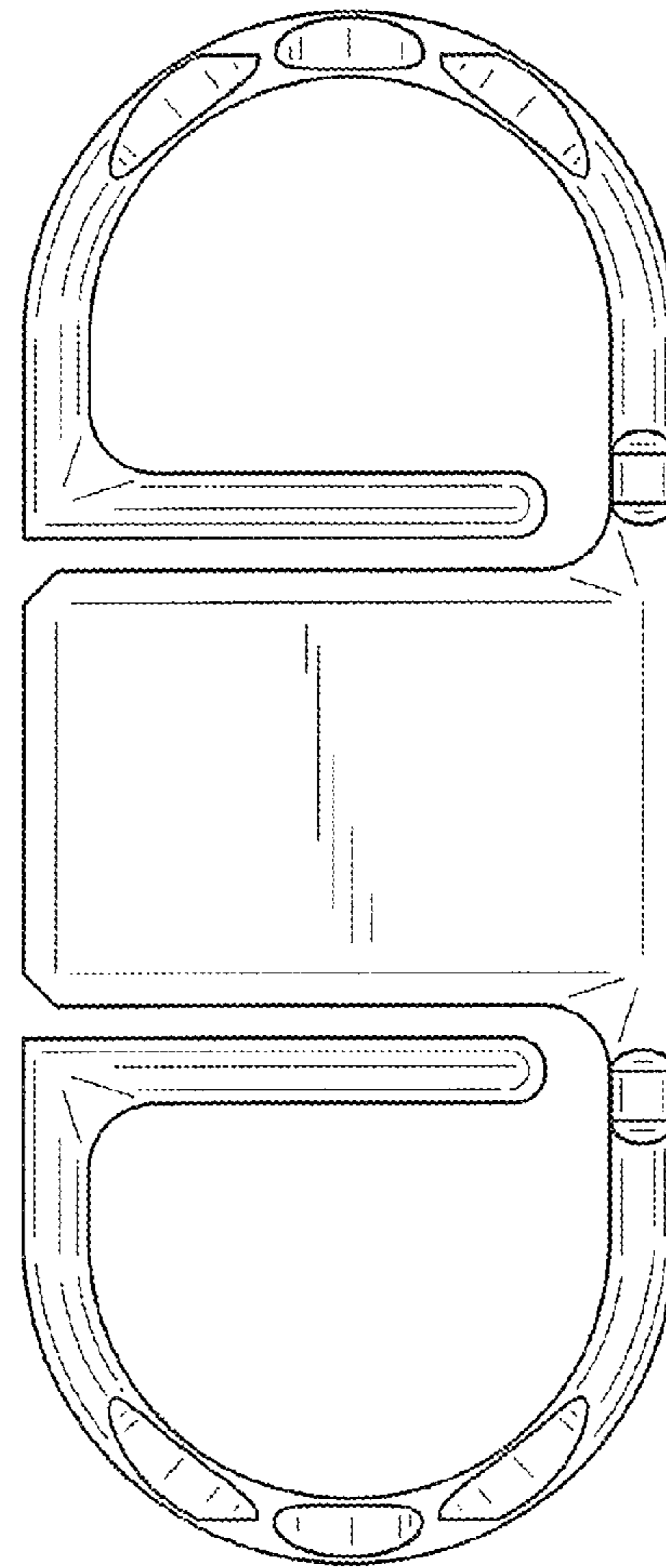


FIG. 36

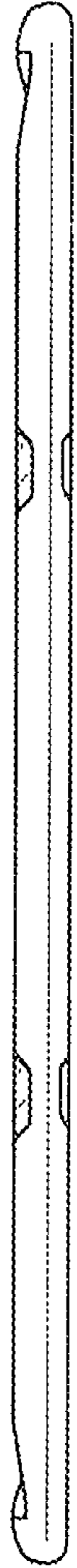


FIG. 37

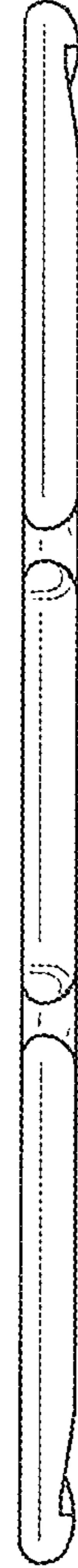


FIG. 38

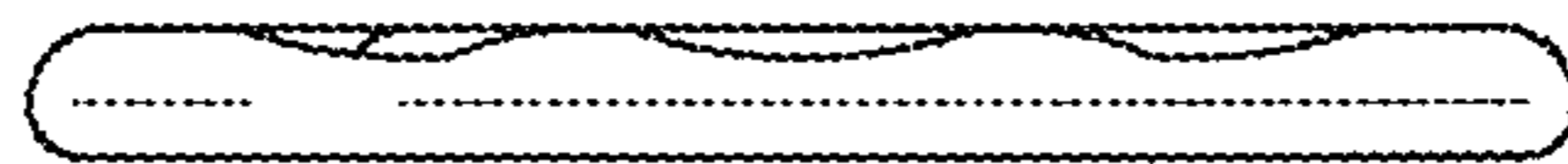


FIG. 39

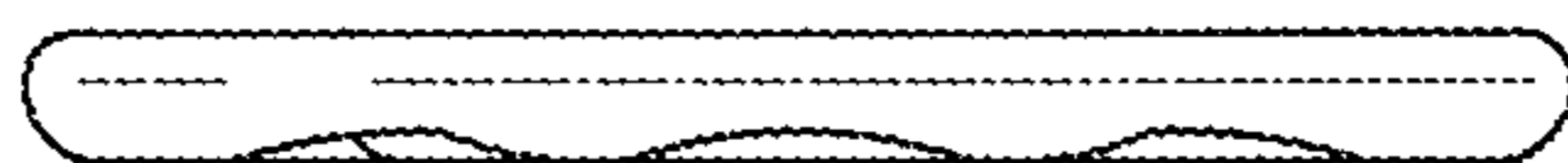


FIG. 40