



US00D698635S

(12) **United States Design Patent**
Yan et al.

(10) **Patent No.:** **US D698,635 S**

(45) **Date of Patent:** **** Feb. 4, 2014**

(54) **DOUBLE-SIDED HOOK PUSH-CHIP TYPE
TUBULAR MEMBER CLAMP**

(76) Inventors: **Xiangyun Yan**, Shanghai (CN); **Ning Ye**,
Shanghai (CN)

(**) Term: **14 Years**

(21) Appl. No.: **29/412,187**

(22) Filed: **Jan. 31, 2012**

(30) **Foreign Application Priority Data**

Nov. 23, 2011 (CN) 2011 3 0433476

(51) **LOC (10) Cl.** **08-08**

(52) **U.S. Cl.**
USPC **D8/394**

(58) **Field of Classification Search**
USPC D8/354, 356, 371, 394-396; D19/65,
D19/86; D24/128; 248/74.2, 215, 227.1, 49,
248/300, 301, 316.7, 51, 489; 24/570, 3.12;
D32/61; D11/78.1; D12/119

See application file for complete search history.

(56) **References Cited**

U.S. PATENT DOCUMENTS

3,527,432 A *	9/1970	Lytle	248/62
4,429,440 A *	2/1984	Laughlin et al.	24/486
5,022,614 A *	6/1991	Rinderer	248/62
5,141,186 A *	8/1992	Cusic	248/73
D522,834 S *	6/2006	Lalancette et al.	D8/72
D538,148 S *	3/2007	Dinh et al.	D8/396
7,992,829 B1 *	8/2011	Baker et al.	248/73

* cited by examiner

Primary Examiner — John Windmuller
(74) *Attorney, Agent, or Firm* — Rabin & Berdo, P.C.

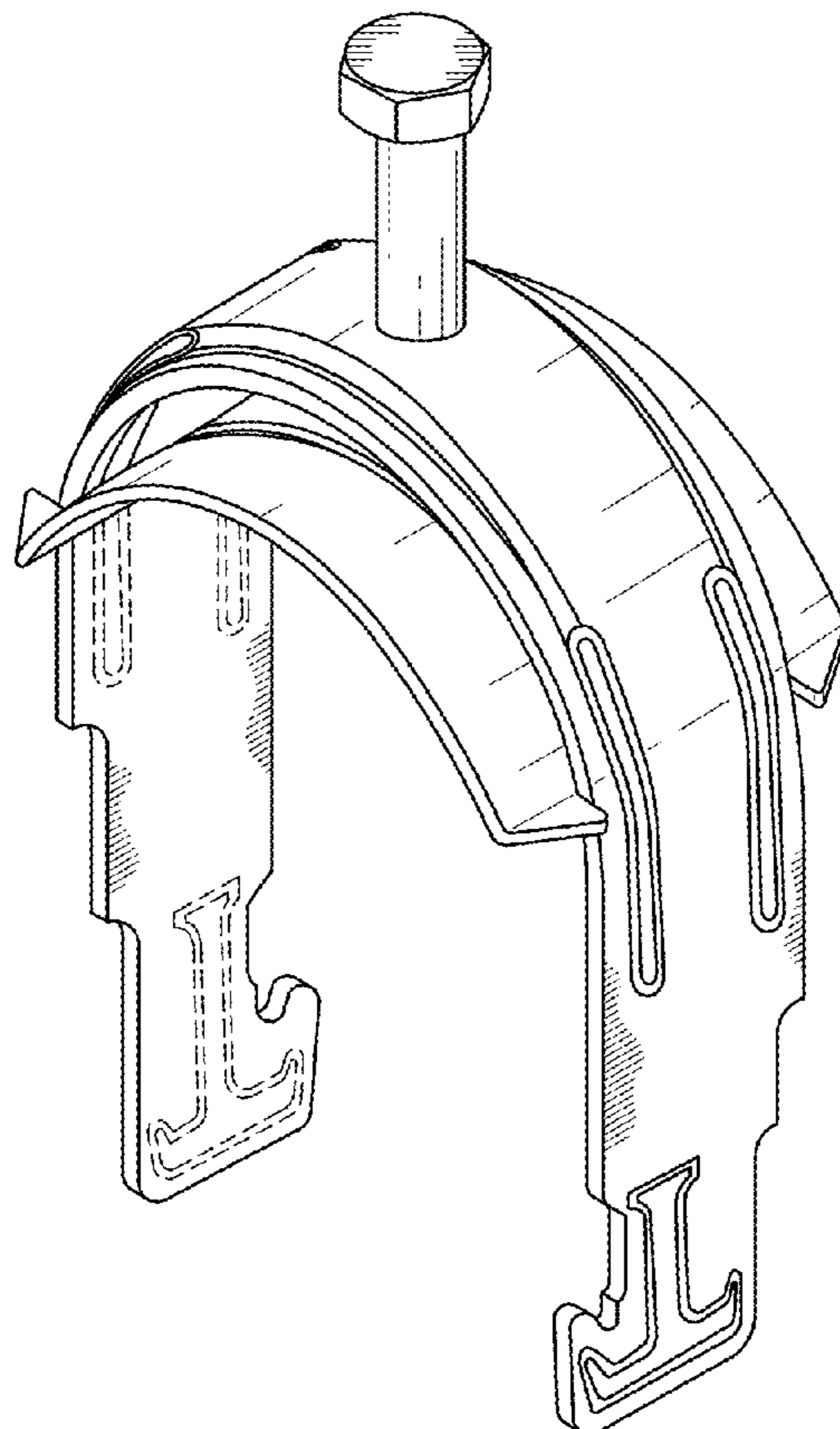
(57) **CLAIM**

The ornamental design for a double-sided hook push-chip type tubular member clamp, as shown and described.

DESCRIPTION

FIG. 1 is a front view of a double-sided hook push-chip type tubular member clamp showing my new design;
FIG. 2 is a rear view thereof;
FIG. 3 is a left side view thereof;
FIG. 4 is a right side view thereof;
FIG. 5 is a top plan view thereof;
FIG. 6 is a bottom plan view thereof; and,
FIG. 7 is a perspective view thereof.

1 Claim, 7 Drawing Sheets



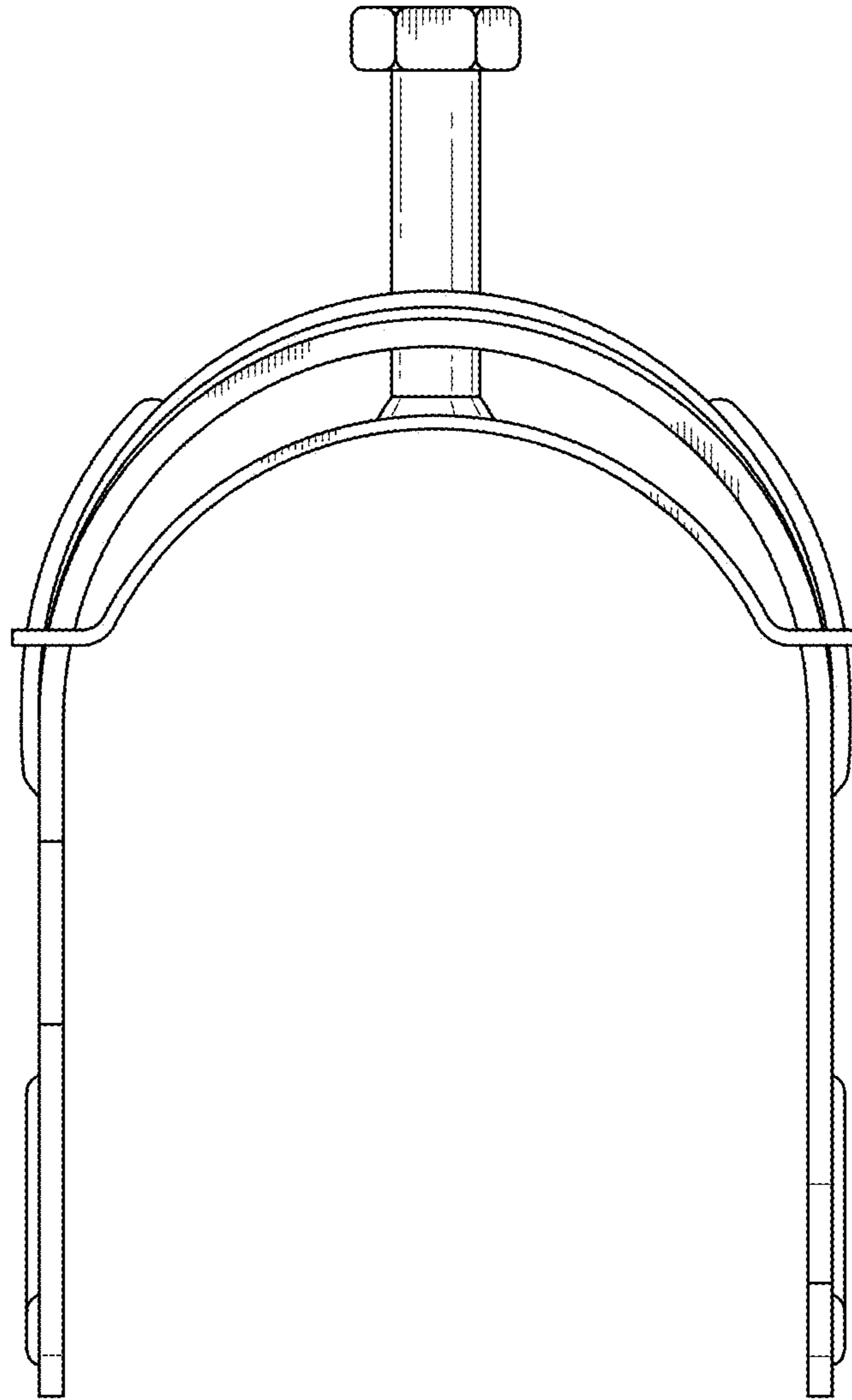


FIG. 1

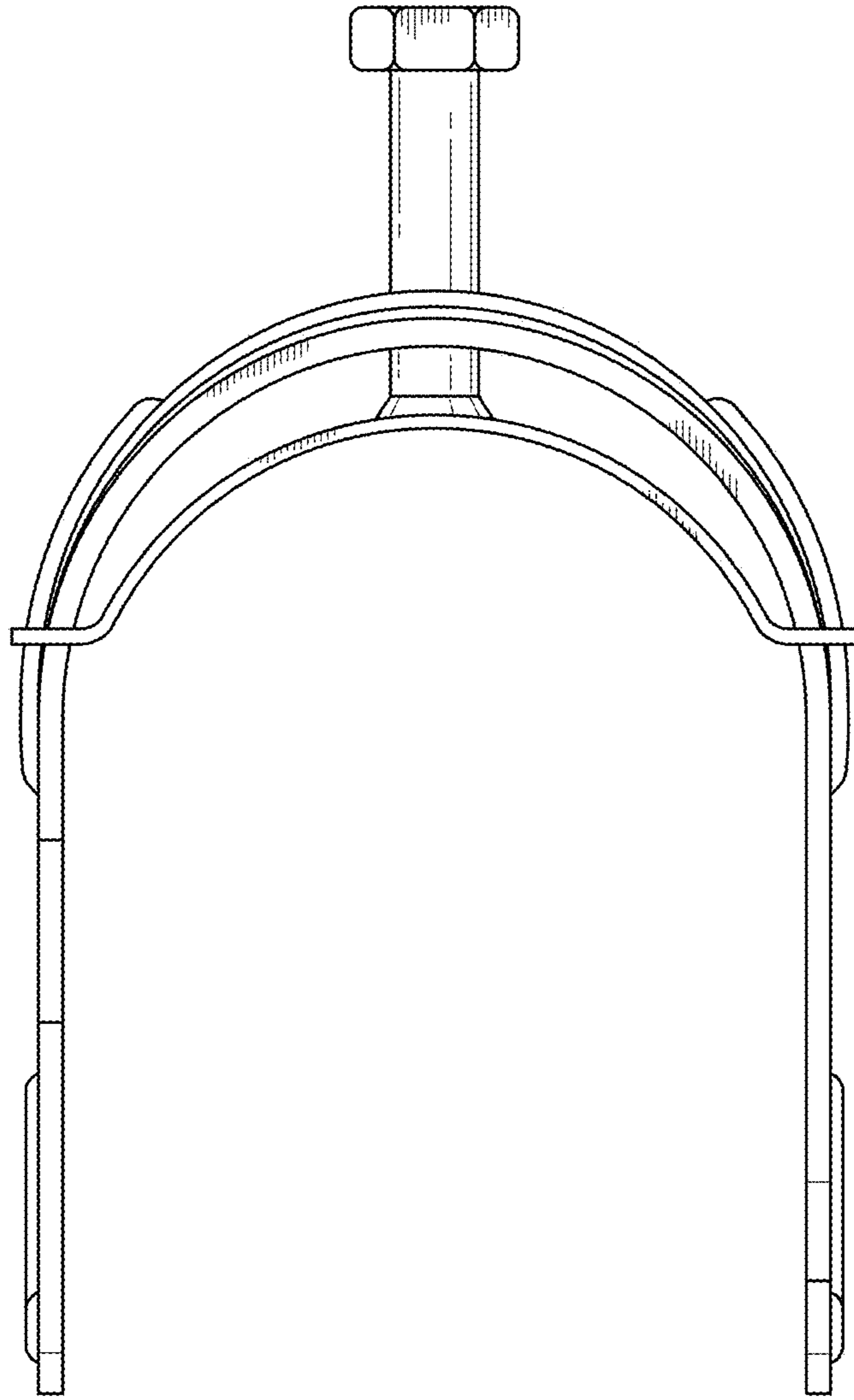


FIG. 2

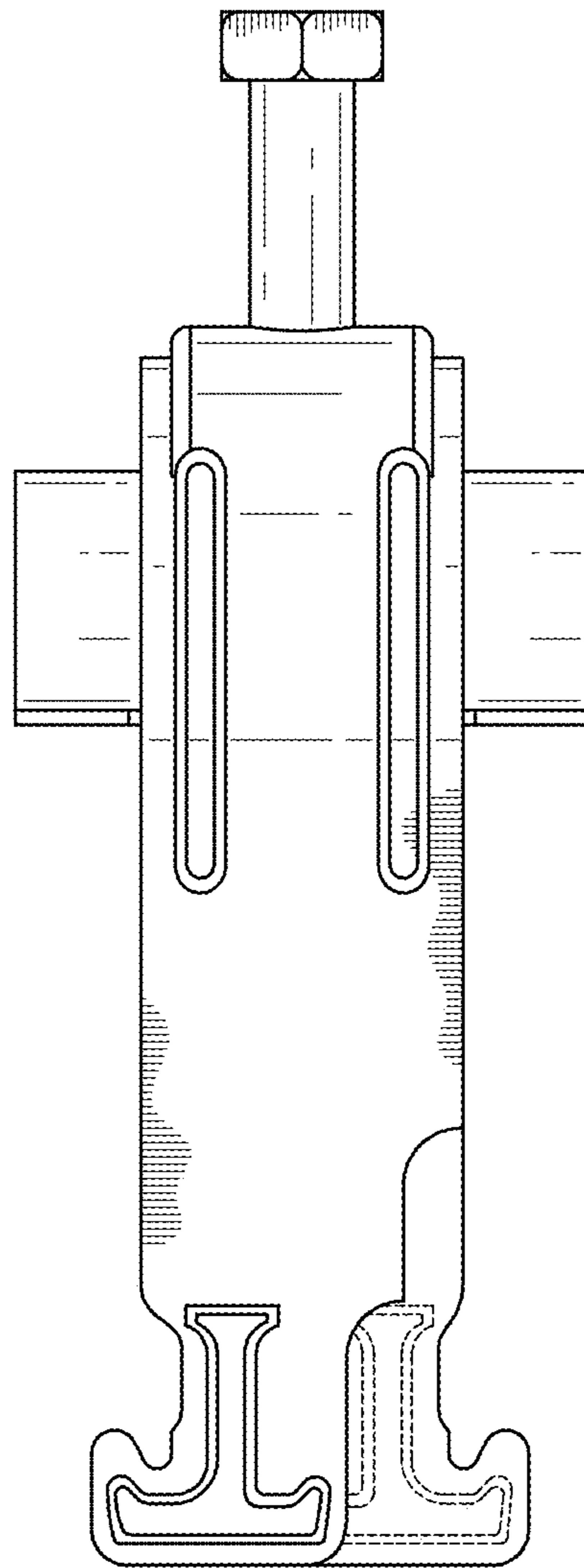


FIG. 3

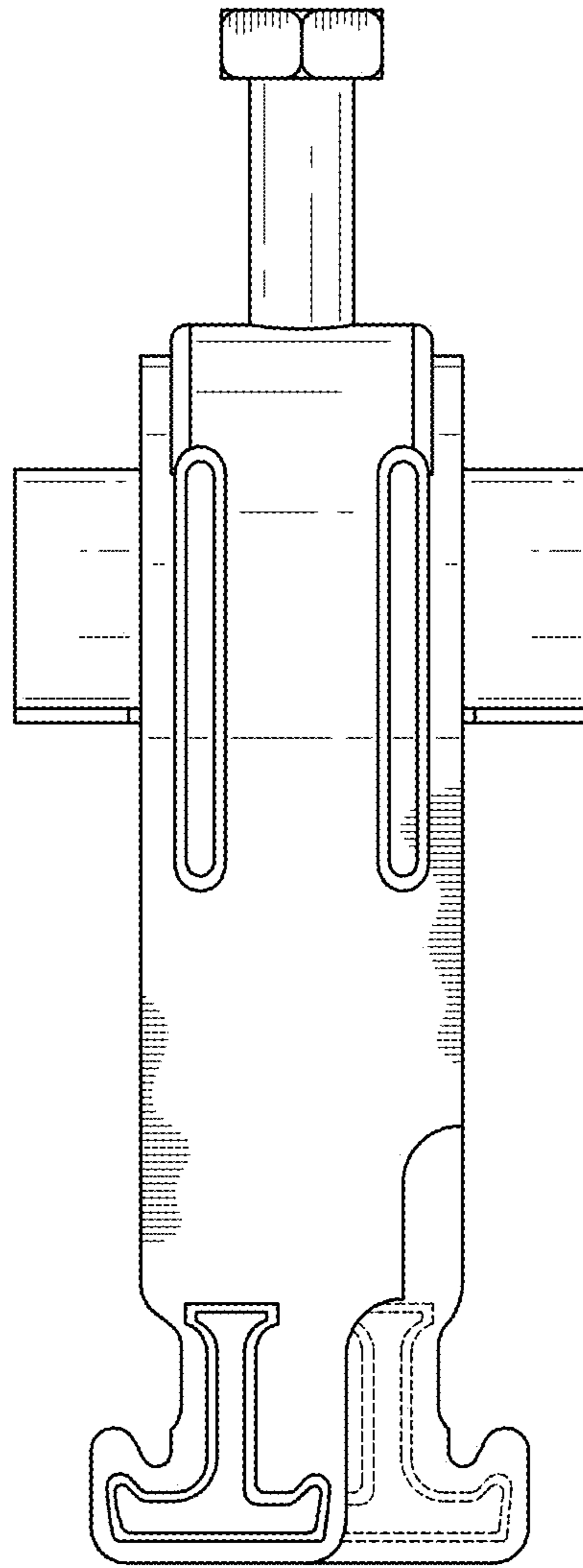


FIG. 4

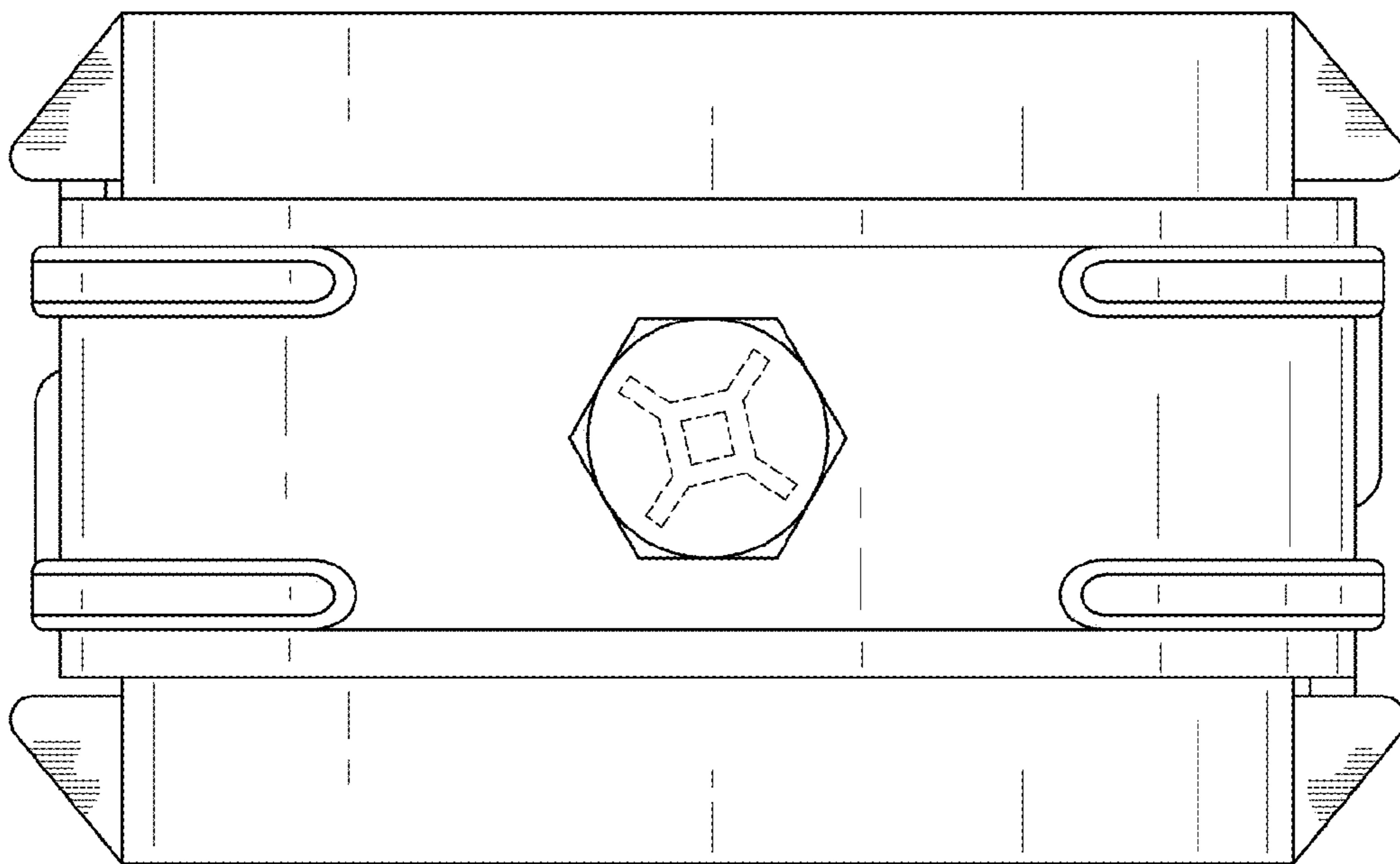


FIG. 5

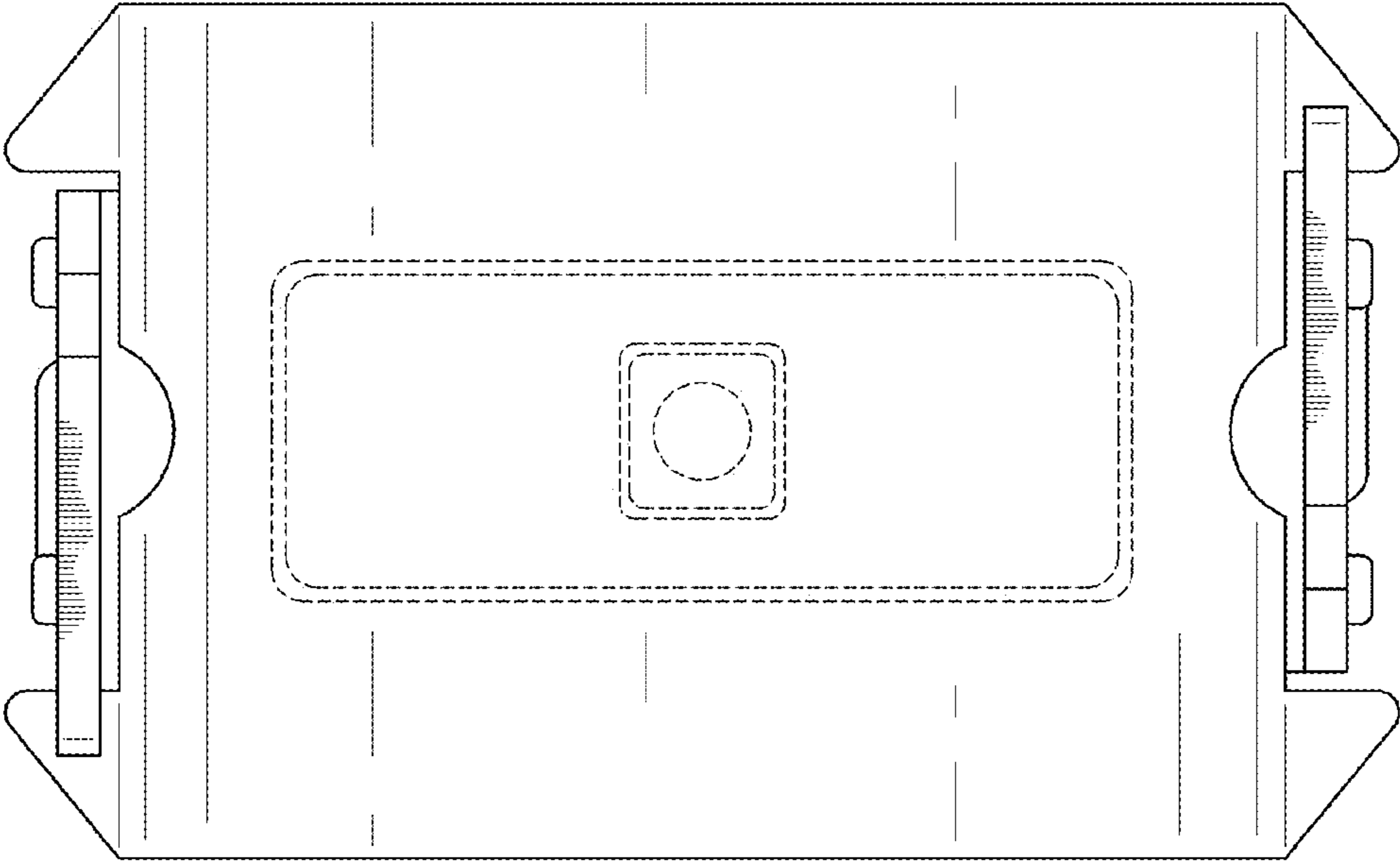


FIG. 6

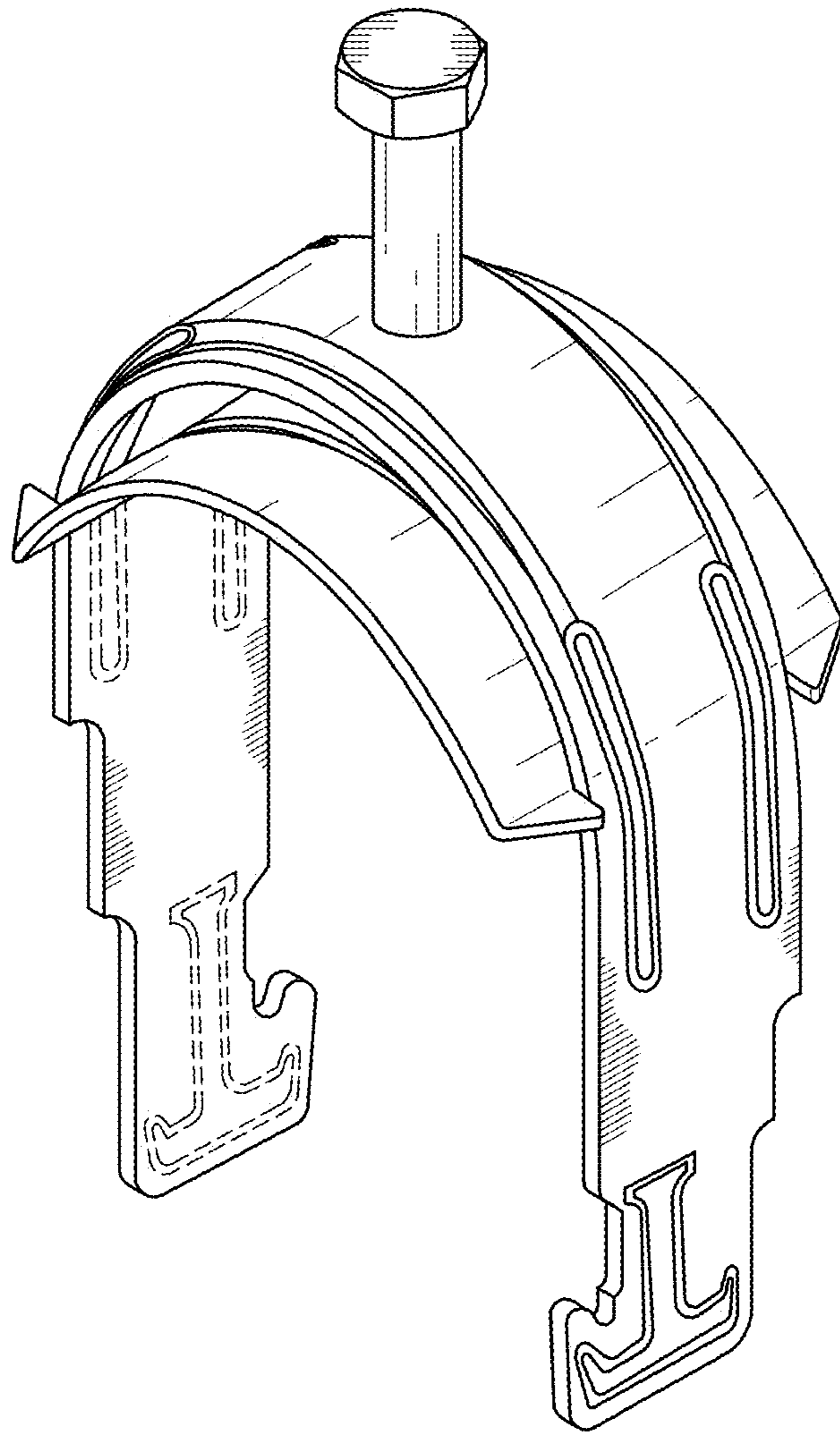


FIG. 7