

US00D698634S

(12) **United States Design Patent**
Oetlinger

(10) **Patent No.:** **US D698,634 S**
(45) **Date of Patent:** **** Feb. 4, 2014**

(54) T-BOLT	6,796,474 B2 9/2004 Oetlinger
	D499,010 S * 11/2004 Velten D8/387
(71) Applicant: Blanking Systems, Inc. , Grafton, WI (US)	6,904,837 B2 6/2005 Oetlinger
	6,942,132 B2 9/2005 Oetlinger
	6,997,364 B2 2/2006 Oetlinger
(72) Inventor: Frank E. Oetlinger , Grafton, WI (US)	7,143,916 B2 12/2006 Oetlinger
	7,182,235 B2 2/2007 Oetlinger
	7,185,797 B2 3/2007 Oetlinger et al.
(73) Assignee: Blanking Systems, Inc. , Grafton, WI (US)	D631,736 S * 2/2011 You D8/387
	D639,152 S * 6/2011 Watts D8/387
	7,992,752 B2 8/2011 Oetlinger
	D660,140 S * 5/2012 Pawluk D8/387

(**) Term: **14 Years**

(21) Appl. No.: **29/448,920**

(22) Filed: **Mar. 14, 2013**

(51) **LOC (10) Cl.** **08-08**

(52) **U.S. Cl.**
USPC **D8/387**

(58) **Field of Classification Search**
USPC D8/387; 411/378-379, 393-394, 411, 411/402-405, 178, 184, 188, 412, 481, 411/378.1
See application file for complete search history.

(56) **References Cited**

U.S. PATENT DOCUMENTS

2,936,667 A *	5/1960	Thorberg	411/393
4,784,554 A *	11/1988	Break	411/383
5,746,535 A	5/1998	Kohler		
6,430,756 B1 *	8/2002	Reilly	4/252.1
6,708,858 B2	3/2004	Oetlinger		
6,712,254 B2	3/2004	Oetlinger		
6,712,543 B1	3/2004	Schmalzhofer		
6,715,953 B2	4/2004	Oetlinger et al.		
6,722,811 B2	4/2004	Oetlinger		
6,769,342 B2	8/2004	Oetlinger		

FOREIGN PATENT DOCUMENTS

JP	9296816	11/1997
JP	2004060789	2/2004
KR	10021558	8/1999

* cited by examiner

Primary Examiner — Sheryl Lane

(74) *Attorney, Agent, or Firm* — Boyle Fredrickson, S.C.

(57) **CLAIM**

The ornamental design for a T-bolt, as shown and described.

DESCRIPTION

FIG. 1 is an isometric view of a first embodiment of a T-bolt in accordance with the present invention;
FIG. 2 is an end view of the T-bolt of FIG. 1;
FIG. 3 is a top plan view of the T-bolt of FIG. 1;
FIG. 4 is a bottom plan view of the T-bolt of FIG. 1;
FIG. 5 is a side elevational view of a first side of the T-bolt of FIG. 1; and,
FIG. 6 is a side elevational view of a second side of the T-bolt of FIG. 1.

1 Claim, 2 Drawing Sheets

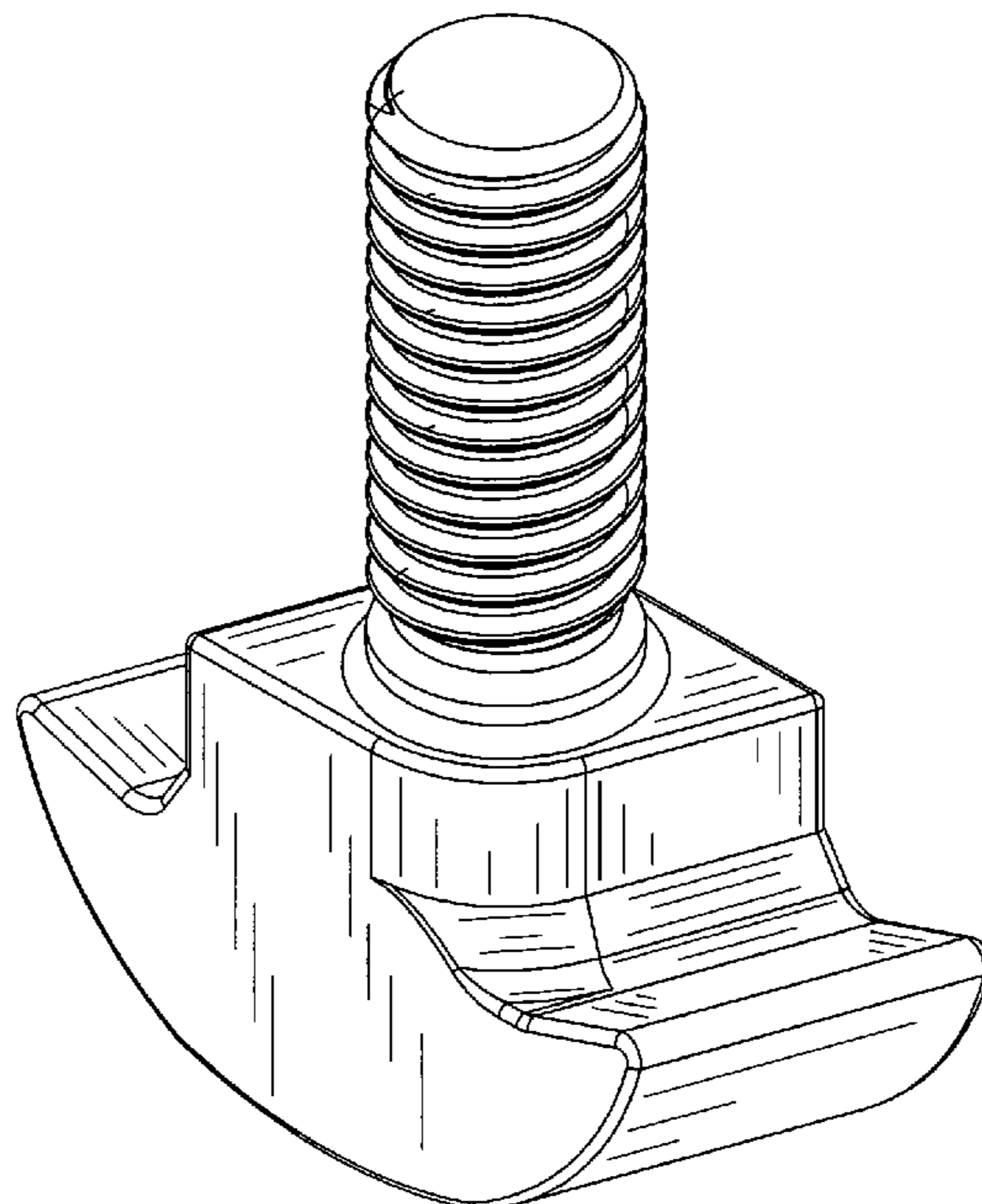


FIG. 1

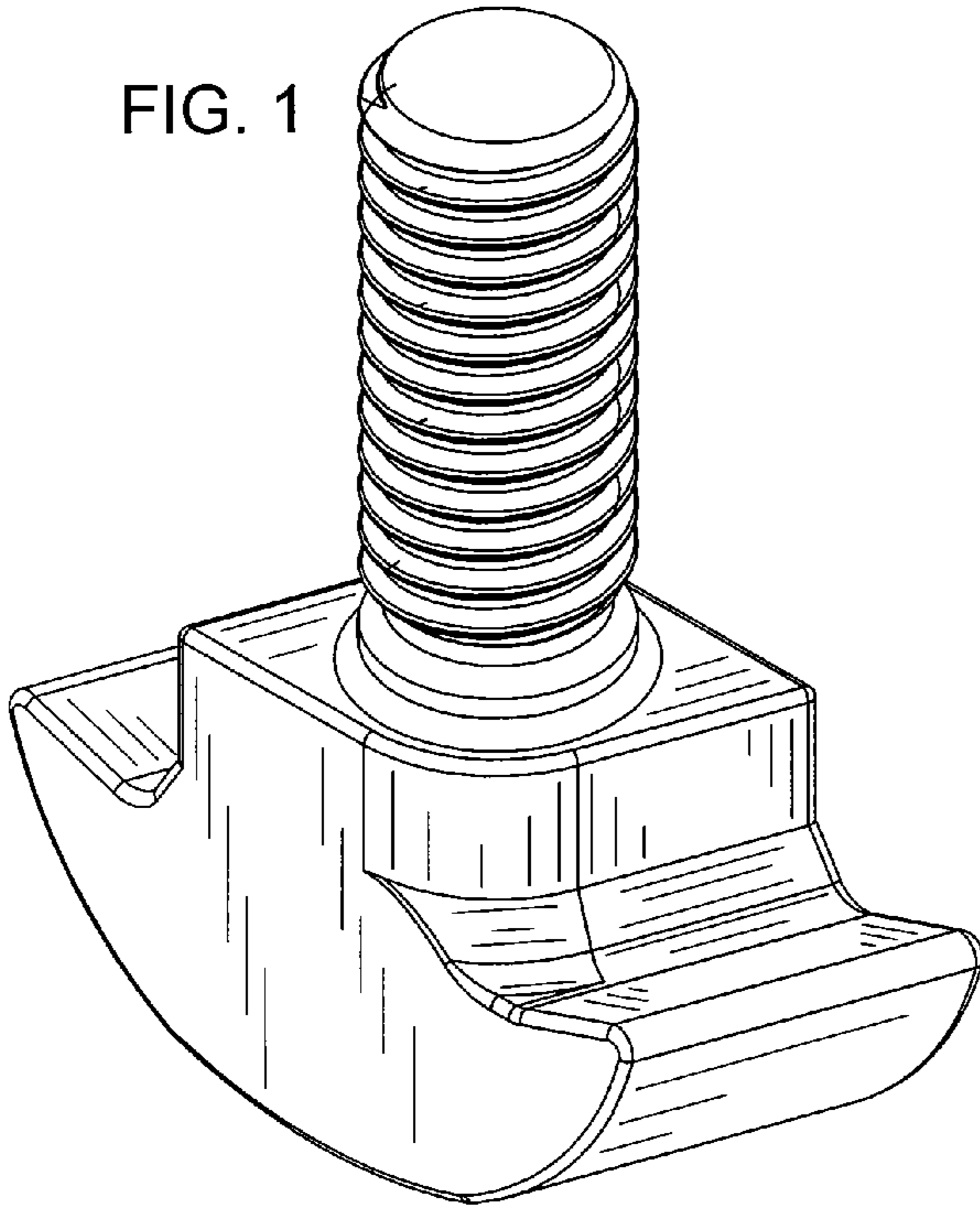


FIG. 2

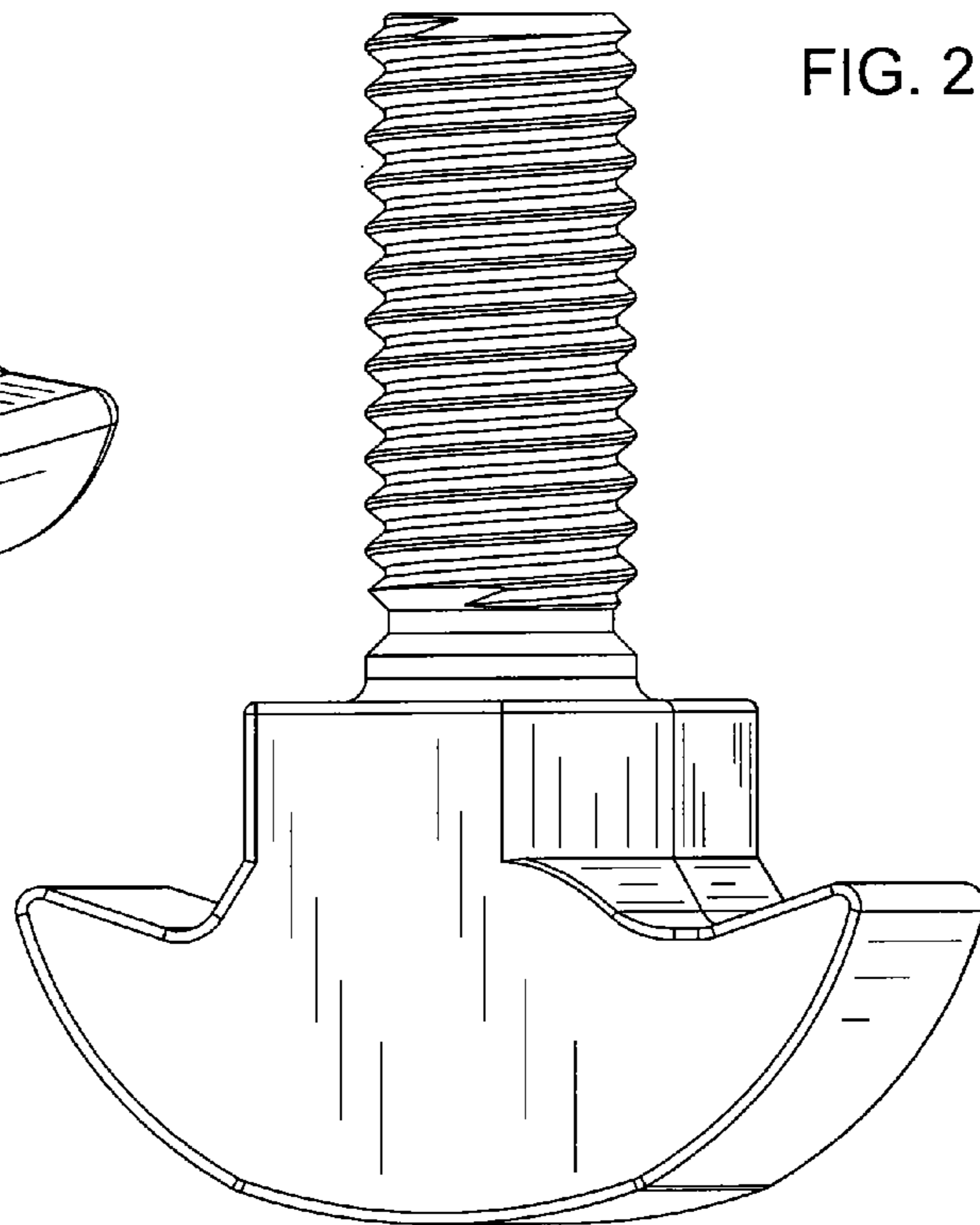


FIG. 3

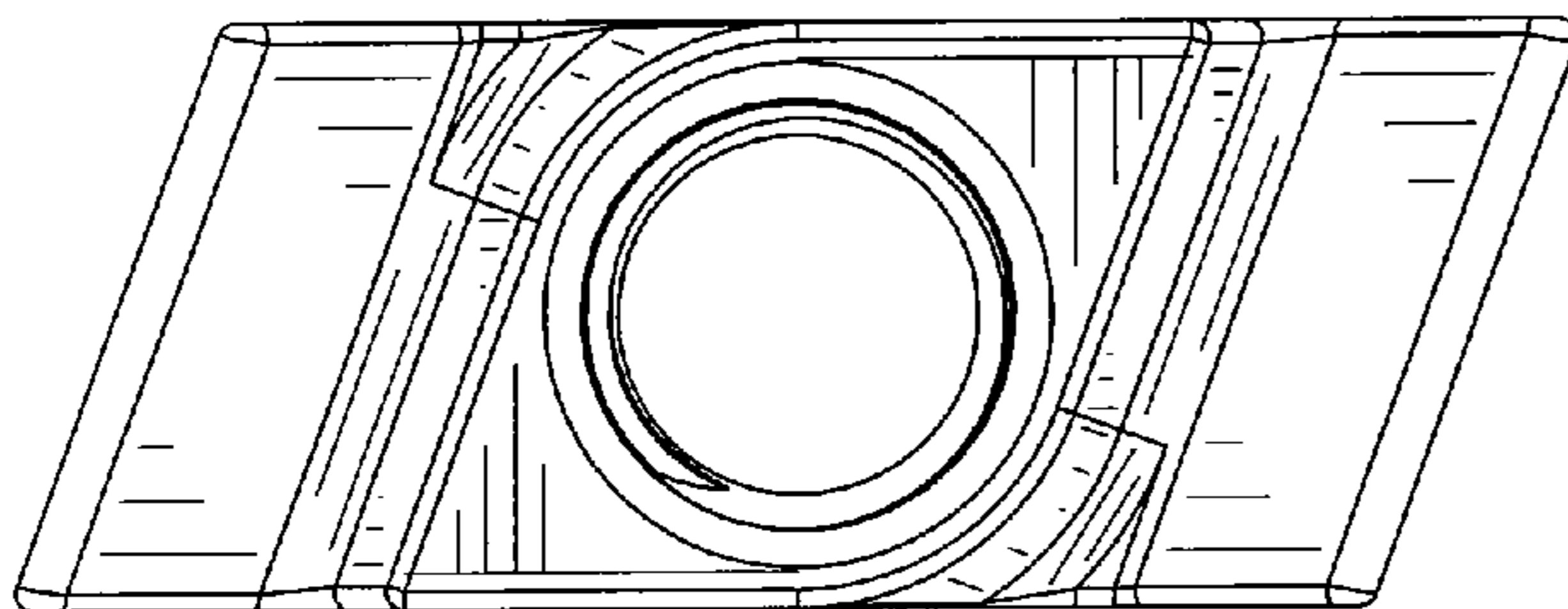


FIG. 4

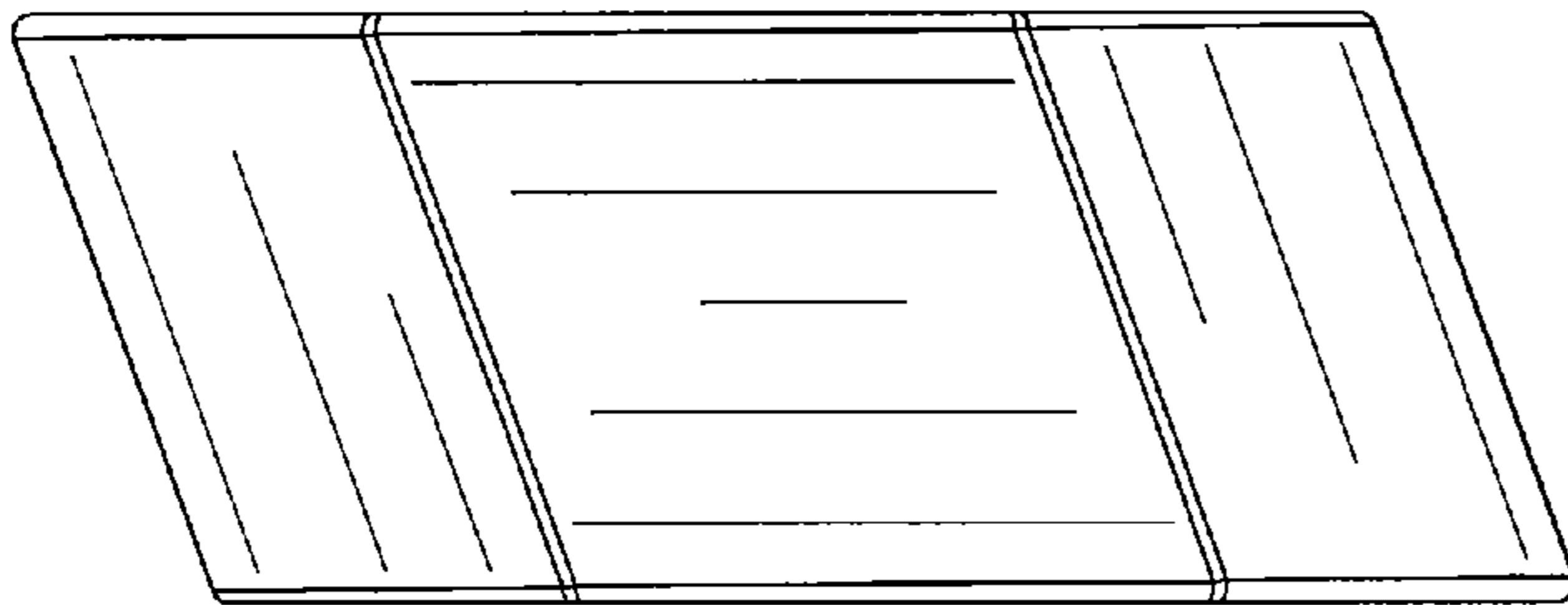


FIG. 5

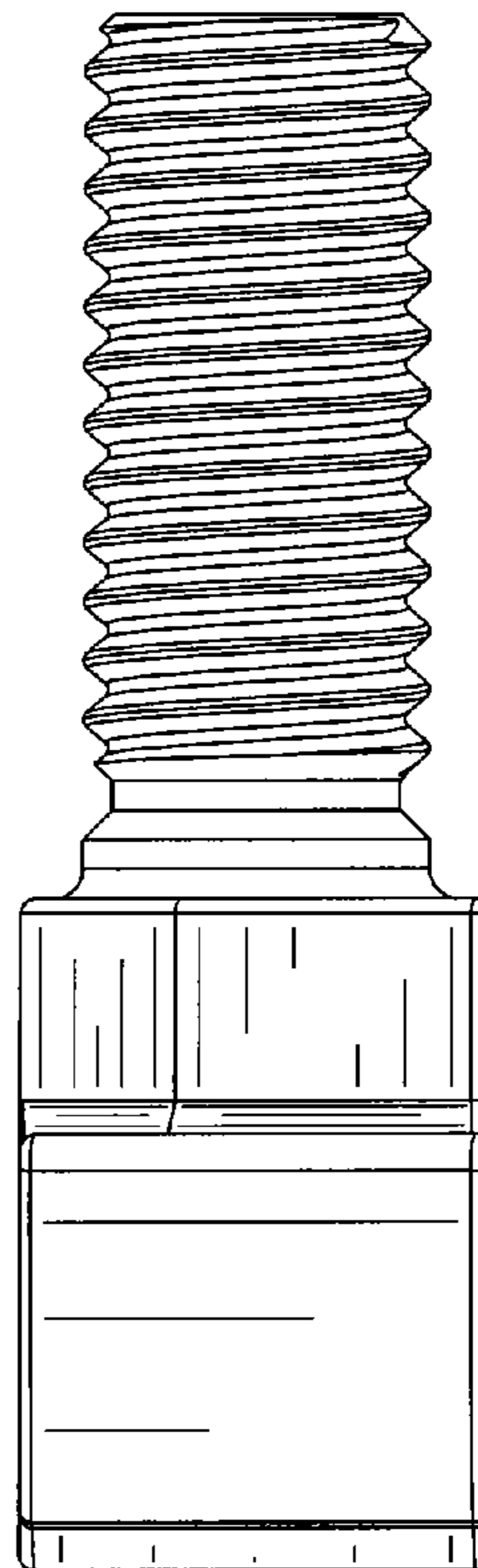


FIG. 6

