

US00D698633S

(12) **United States Design Patent**
Adams

(10) **Patent No.:** **US D698,633 S**
(45) **Date of Patent:** **** Feb. 4, 2014**

- (54) **OFFSET CABLE TIE**
- (71) Applicant: **HellermanTyton Corporation**,
Milwaukee, WI (US)
- (72) Inventor: **Scott J. Adams**, Menomonee Falls, WI
(US)
- (73) Assignee: **HellermannTyton Corporation**,
Milwaukee, WI (US)
- (**) Term: **14 Years**
- (21) Appl. No.: **29/448,034**
- (22) Filed: **Mar. 8, 2013**
- (51) **LOC (10) Cl.** **08-08**
- (52) **U.S. Cl.**
USPC **D8/383**
- (58) **Field of Classification Search**
USPC D8/383, 396, 395; 24/16 PB, 30.5 P,
24/17 AP; 248/71, 73, 74.3
See application file for complete search history.

7,753,321 B2 *	7/2010	Geiger	248/74.3
7,770,852 B2	8/2010	Caveney		
7,775,484 B2 *	8/2010	Gunzburger	248/74.3
8,177,173 B2	5/2012	Spiess		
8,282,047 B2	10/2012	Franks		
2006/0265840 A1	11/2006	Thompson et al.		
2007/0057124 A1	3/2007	Kwilosz		

* cited by examiner

Primary Examiner — Sheryl Lane

(74) *Attorney, Agent, or Firm* — Ryan, Kromholz & Manion, S.C.

(57) **CLAIM**

The ornamental design for an offset cable tie, as shown and described.

DESCRIPTION

FIG. 1 is a perspective view of a first embodiment of the offset cable tie;
 FIG. 2 is a right side elevation view thereof;
 FIG. 3 is a left side elevation view thereof;
 FIG. 4 is a top plan view thereof;
 FIG. 5 is a bottom plan view thereof;
 FIG. 6 is a front end elevation view thereof;
 FIG. 7 is a back end elevation view thereof;
 FIG. 8 is a perspective view of a second embodiment of the offset cable tie;
 FIG. 9 is a right side elevation thereof;
 FIG. 10 is a left side elevation thereof;
 FIG. 11 is a top plan view thereof;
 FIG. 12 is a bottom plan view thereof;
 FIG. 13 is a front end elevation view thereof; and,
 FIG. 14 is a back end elevation view thereof.

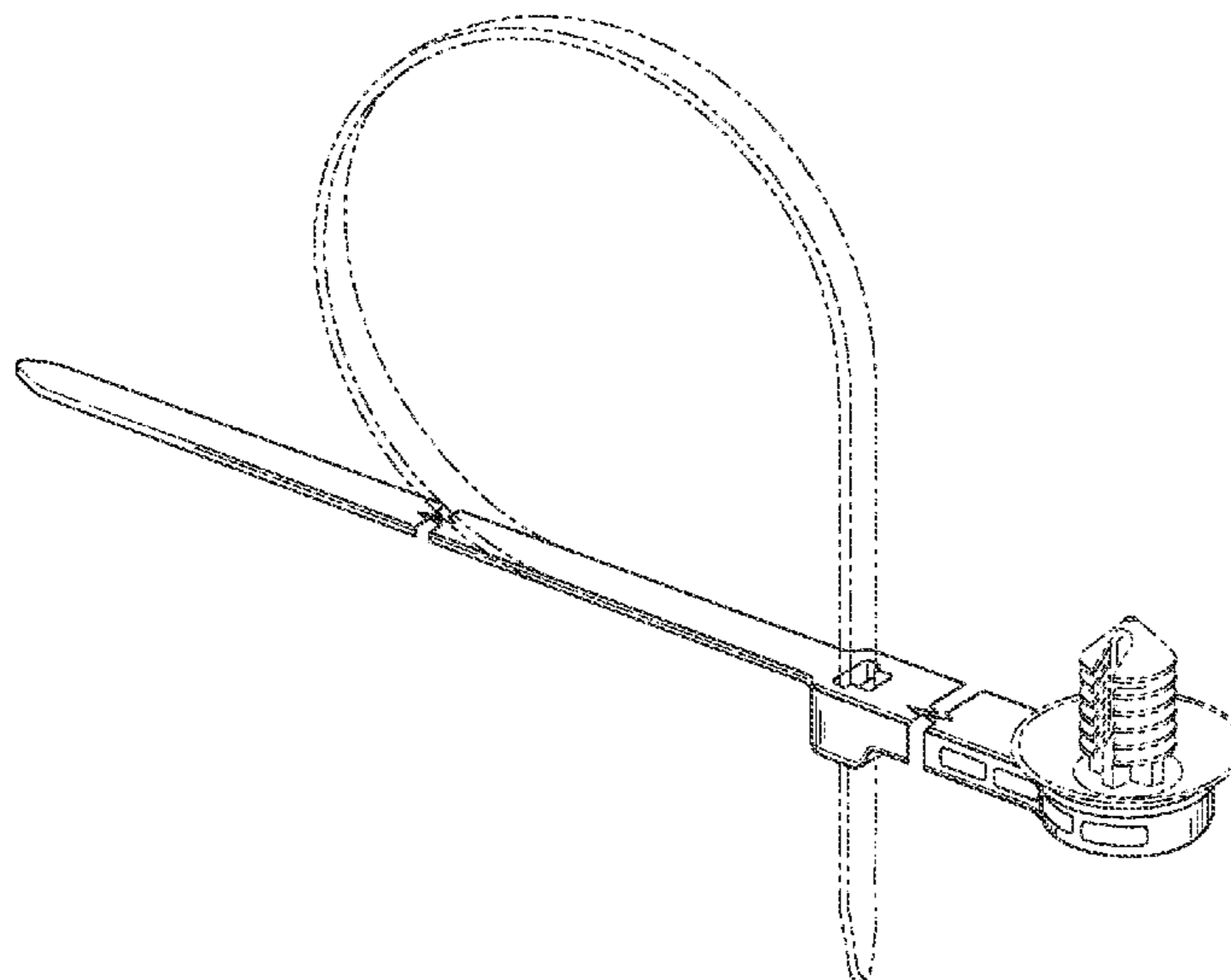
The broken lines in FIGS. 1-14 represent portions of the article and form no part of the claimed design.
 FIGS. 1-5 and 8-12 show a break in the cable tie. The appearance of any portion of the article between the break lines forms no part of the claimed design.

1 Claim, 4 Drawing Sheets

(56) **References Cited**

U.S. PATENT DOCUMENTS

3,257,694 A *	6/1966	Litwin	24/16 PB
4,875,647 A *	10/1989	Takagi et al.	248/74.3
5,131,613 A *	7/1992	Kamiya et al.	248/74.3
5,584,452 A *	12/1996	Koike	248/74.3
5,803,413 A *	9/1998	Benoit et al.	248/73
5,921,510 A	7/1999	Benoit et al.		
6,076,781 A	6/2000	Kraus		
6,186,451 B1	2/2001	Benoit		
6,196,751 B1	3/2001	Khokhar		
6,749,157 B2 *	6/2004	Takeuchi	248/71
7,229,052 B2 *	6/2007	Takeuchi	248/71
7,316,375 B2 *	1/2008	Wakabayashi et al.	248/71
7,360,744 B2	4/2008	Kwilosz		
7,600,724 B2	10/2009	Nelson et al.		
7,661,633 B2 *	2/2010	Igarashi et al.	248/74.3
7,686,259 B2	3/2010	Caveney et al.		



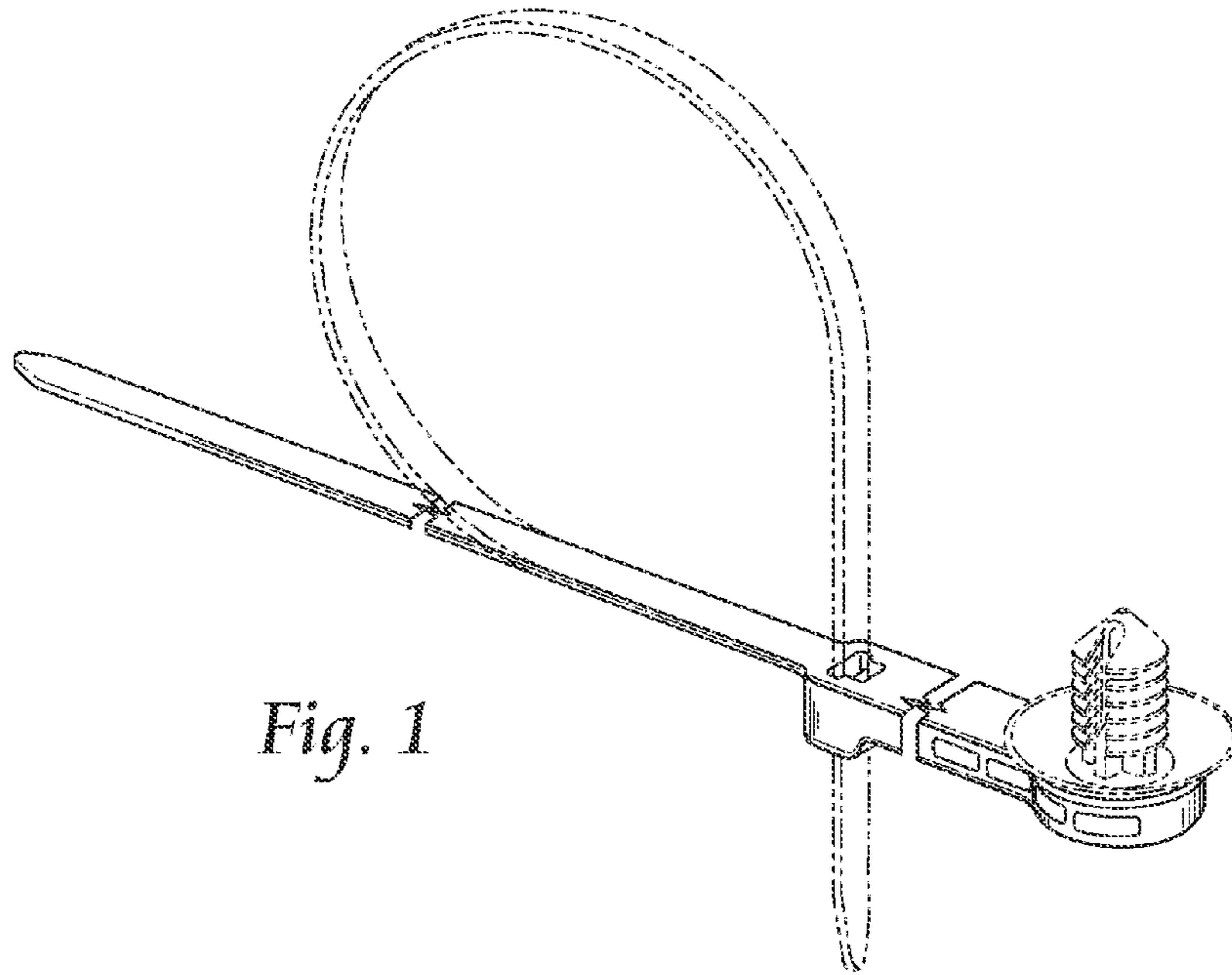


Fig. 1

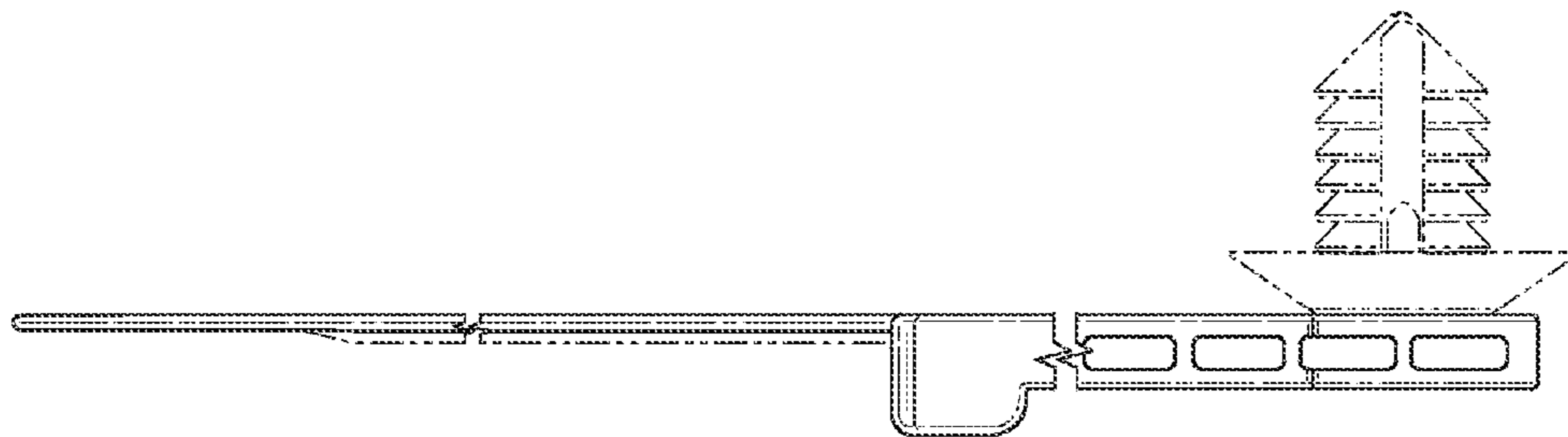


Fig. 2

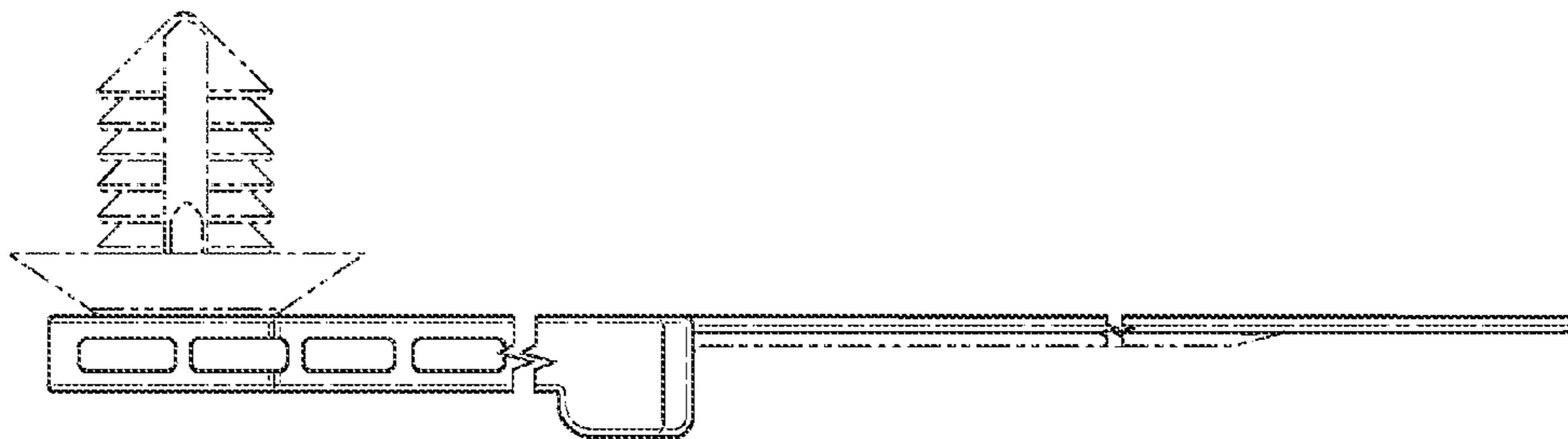


Fig. 3

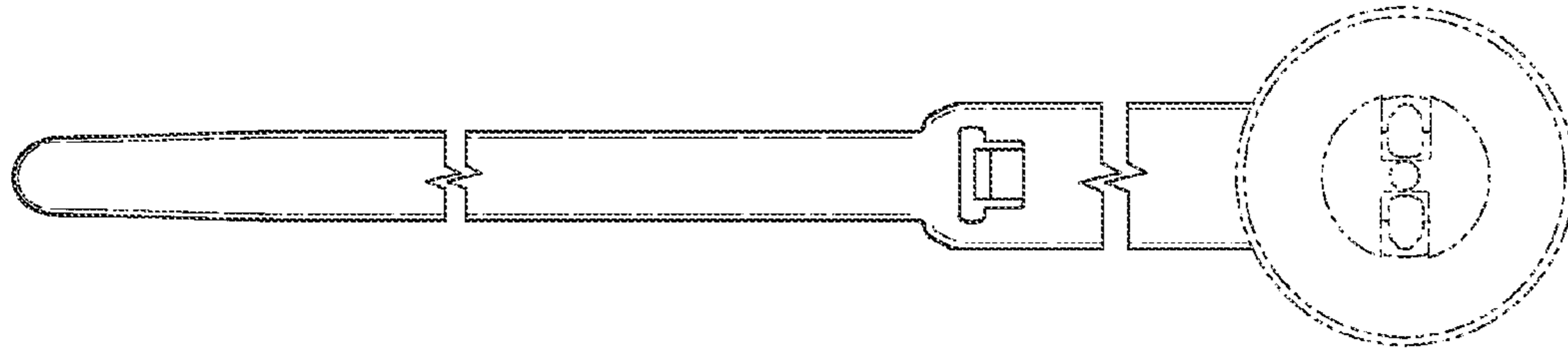


Fig. 4

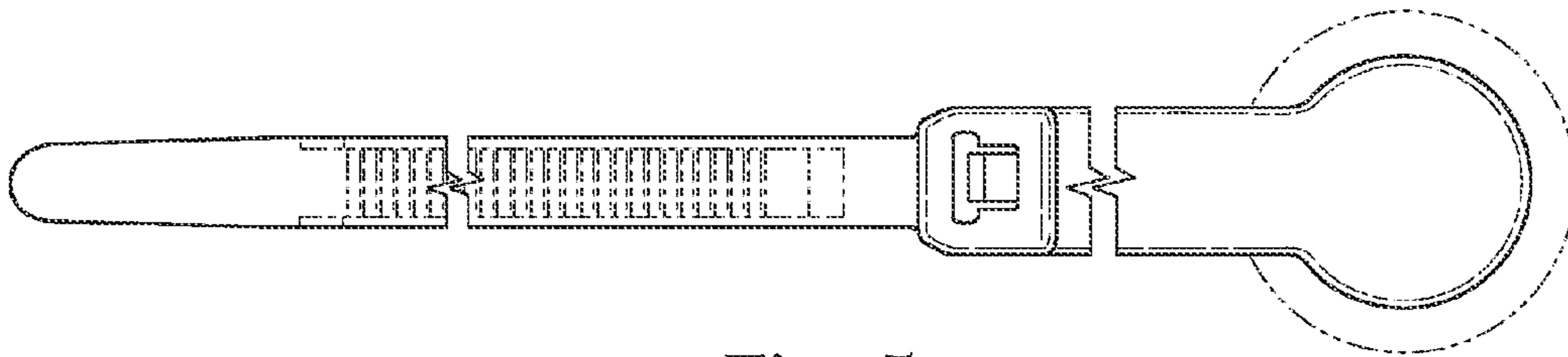


Fig. 5

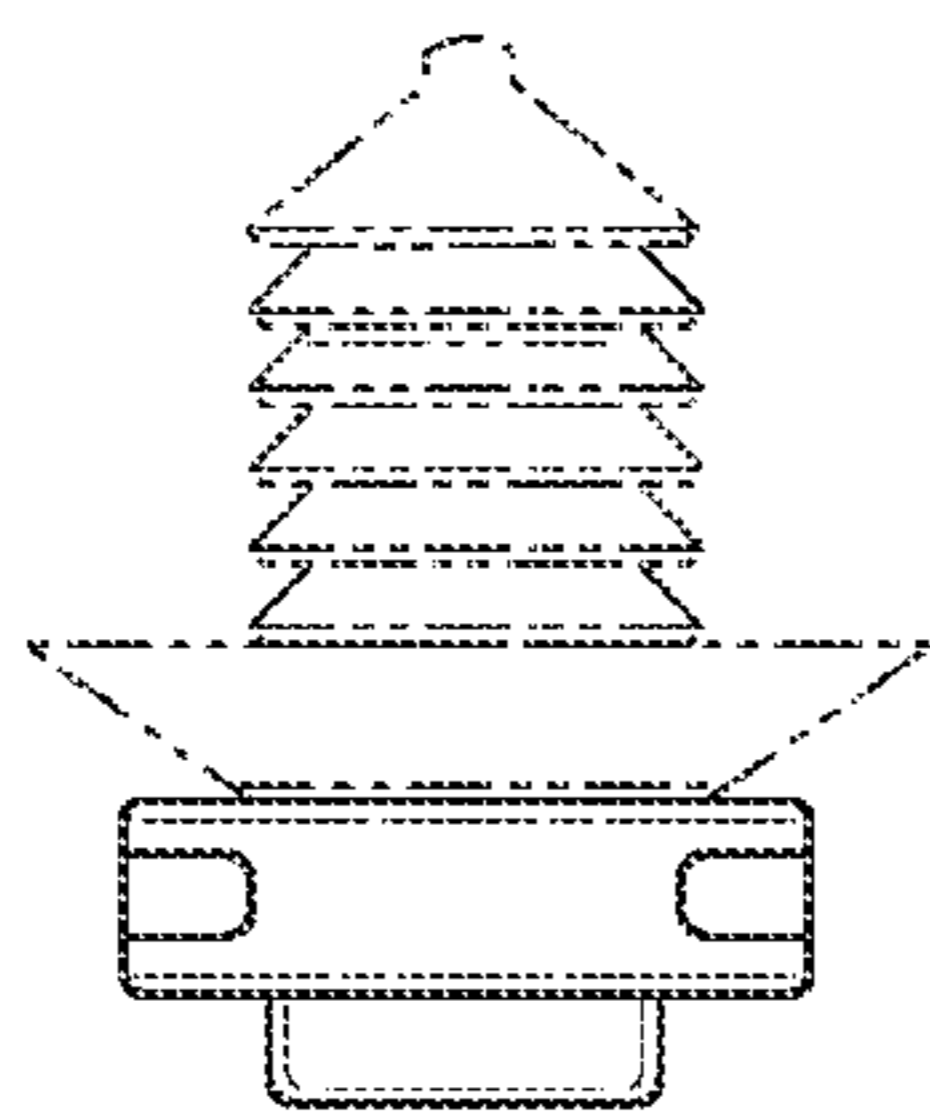


Fig. 6

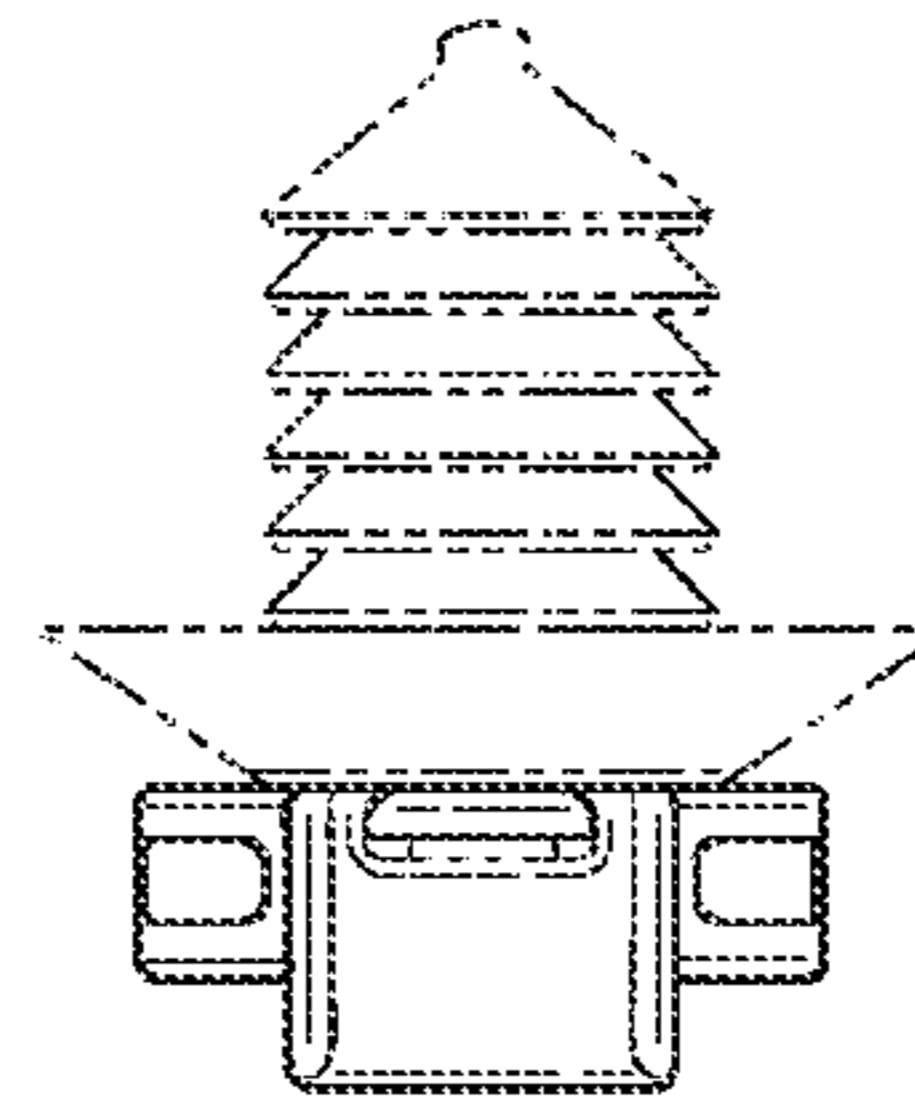


Fig. 7

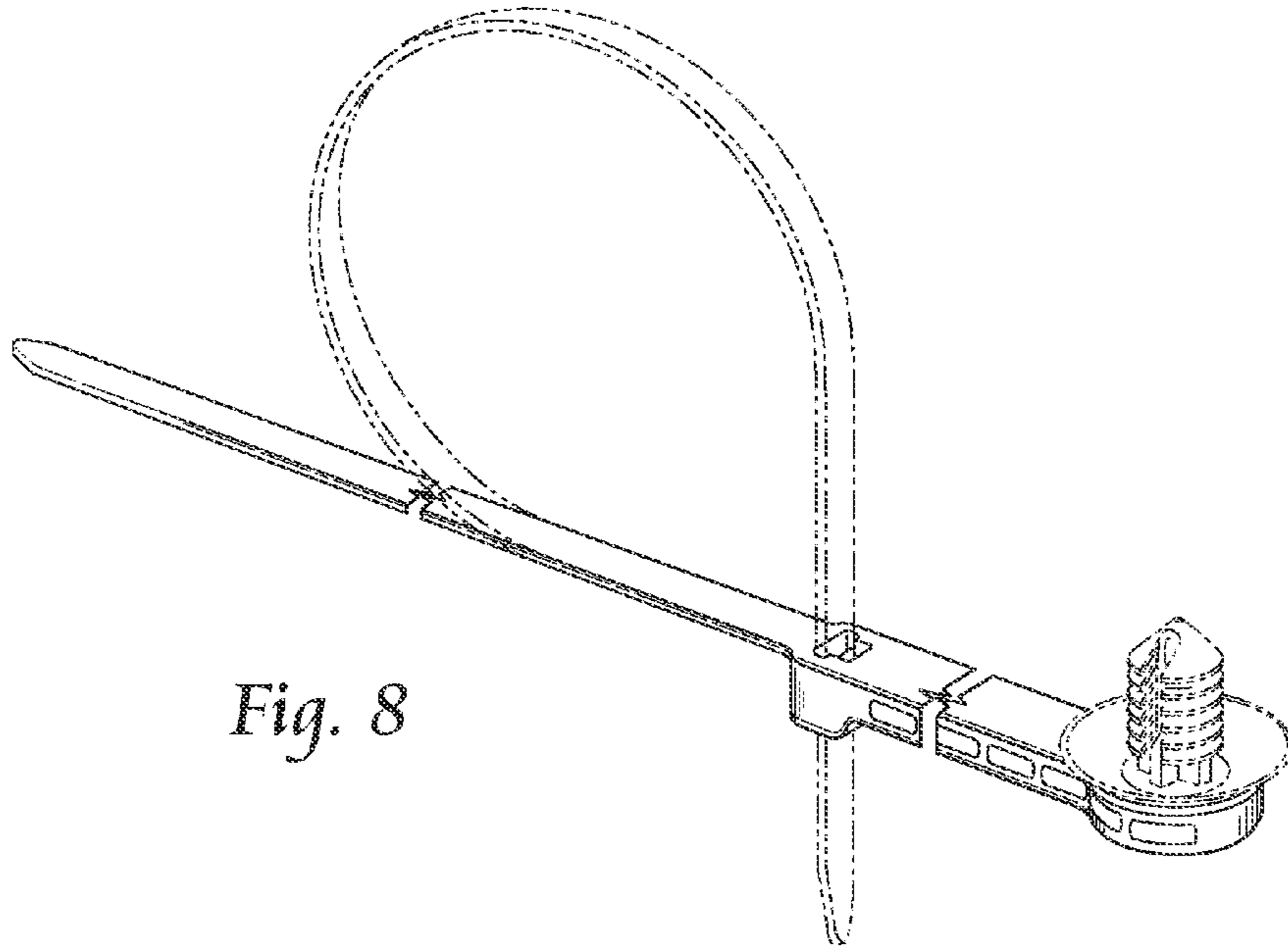


Fig. 8

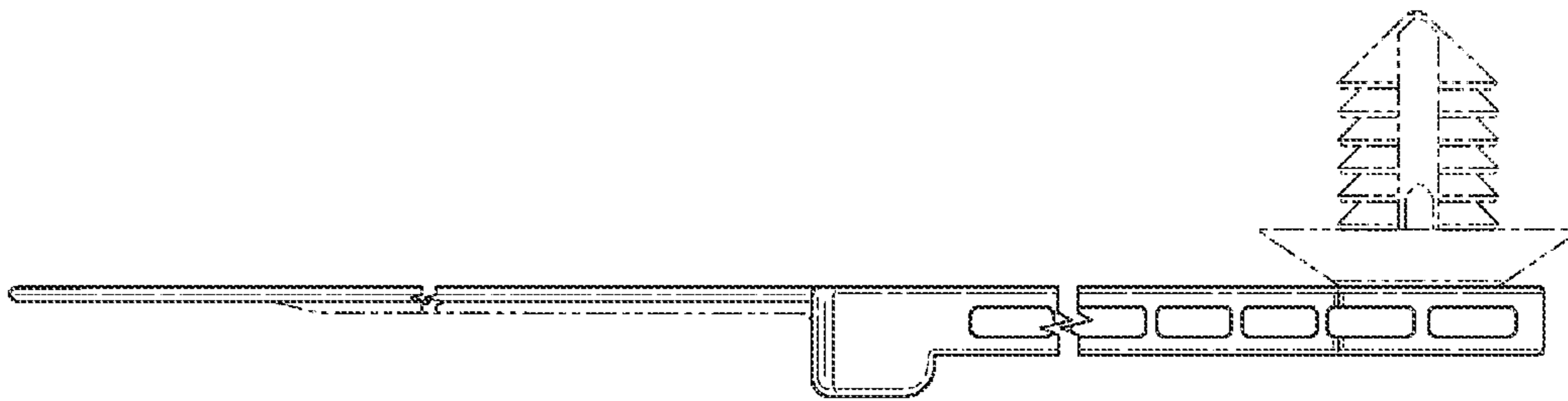


Fig. 9

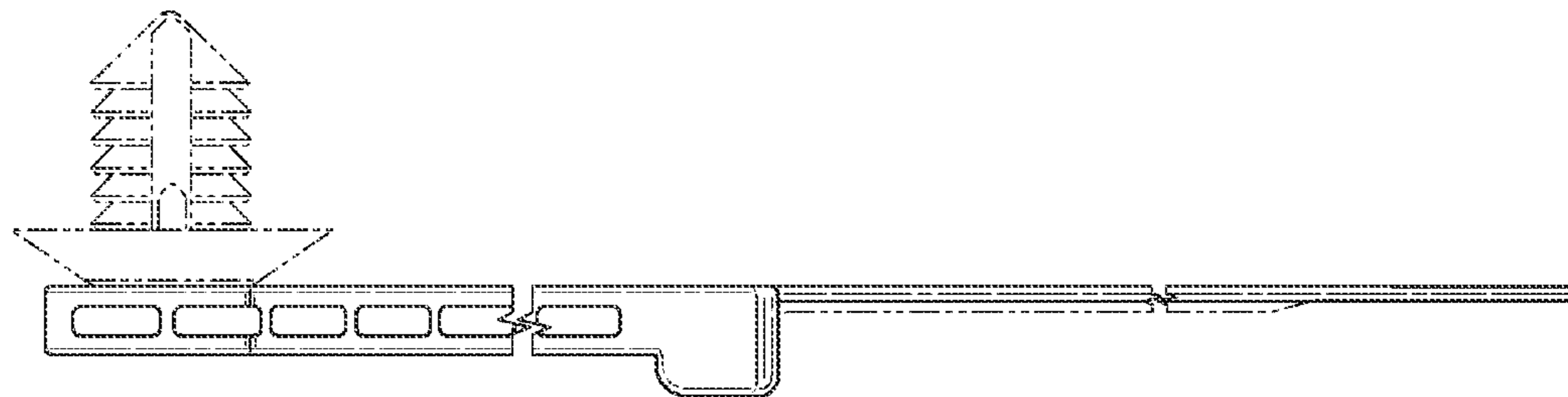


Fig. 10

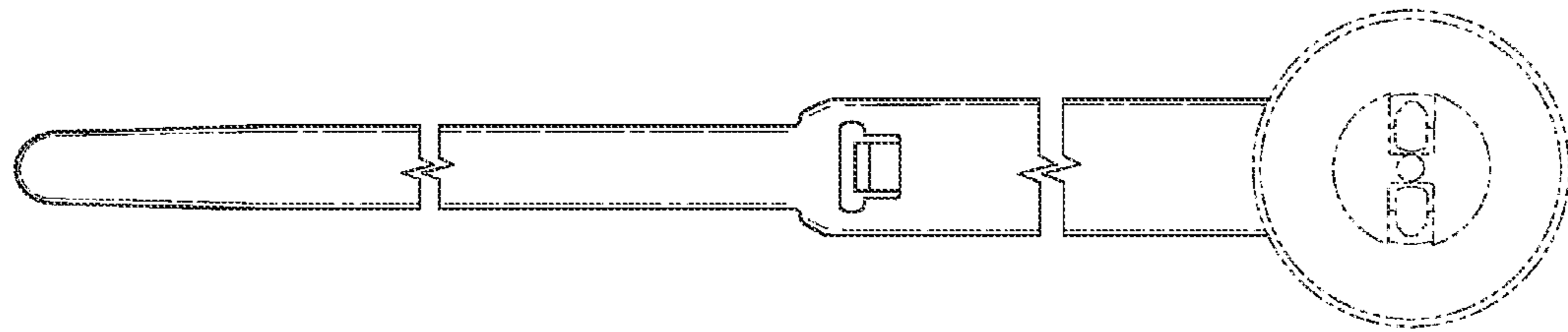


Fig. 11

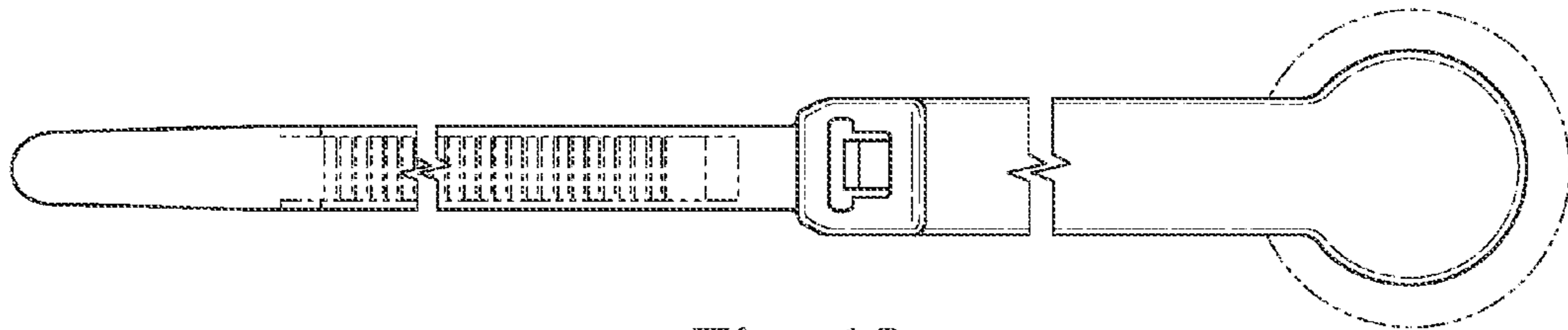


Fig. 12

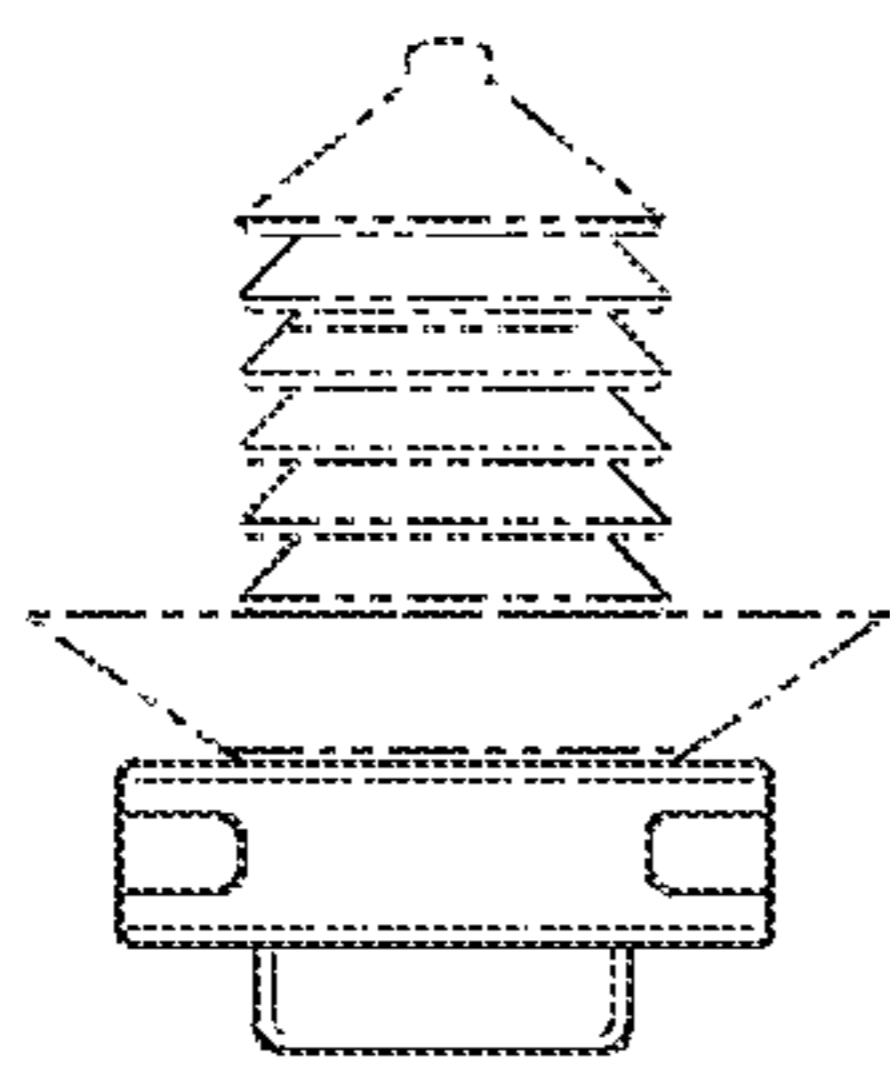


Fig. 13

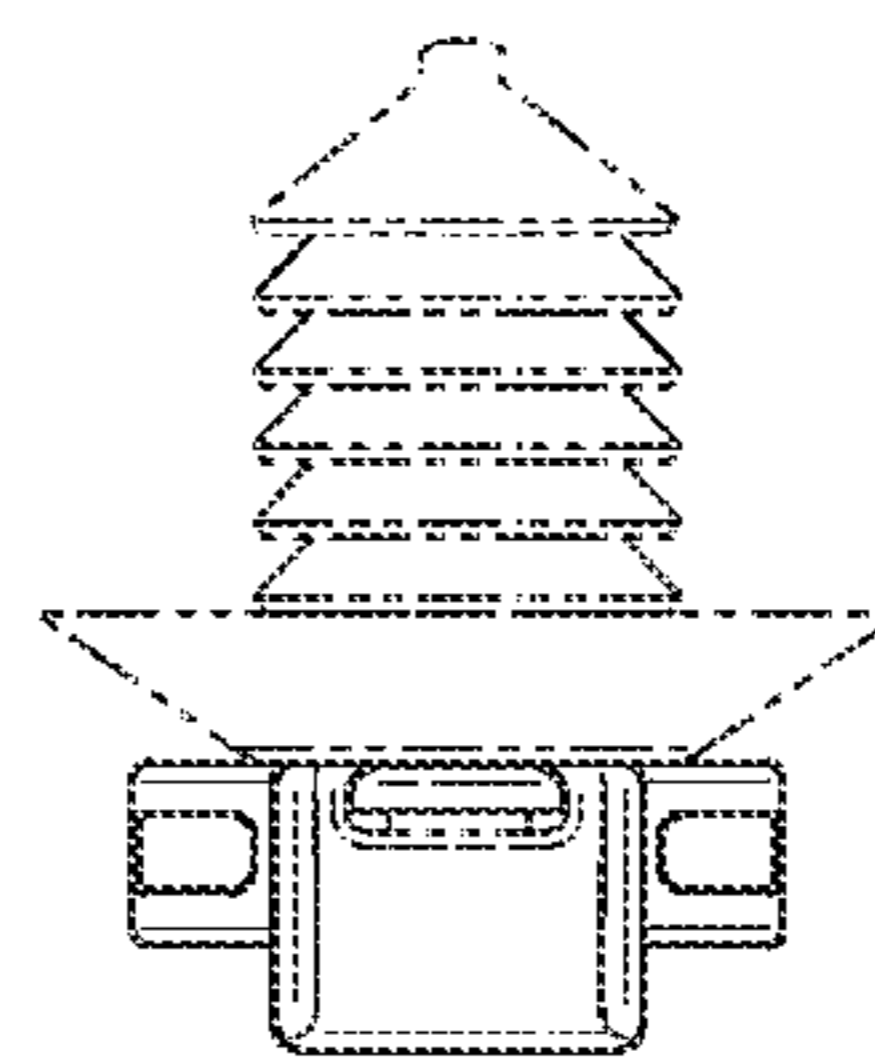


Fig. 14