

US00D698630S

(12) **United States Design Patent**
MacKenzie

(10) **Patent No.:** **US D698,630 S**

(45) **Date of Patent:** **** Feb. 4, 2014**

(54) **PLANTER SUPPORT RAIL**

(75) Inventor: **Dave MacKenzie**, Nunica, MI (US)

(73) Assignee: **Hortech, Inc.**, Nunica, MI (US)

(**) Term: **14 Years**

(21) Appl. No.: **29/418,147**

(22) Filed: **Apr. 12, 2012**

(51) **LOC (10) Cl.** **08-05**

(52) **U.S. Cl.**
USPC **D8/380**

(58) **Field of Classification Search**
USPC D8/376, 380; 47/46, 67, 68; 248/214,
248/274.1
See application file for complete search history.

(56) **References Cited**

U.S. PATENT DOCUMENTS

4,896,456 A * 1/1990 Grant 47/67
4,998,700 A * 3/1991 McKaig 248/214
D339,737 S * 9/1993 Hostetler D8/380

D558,036 S * 12/2007 Rogers D8/380
2005/0193625 A1 * 9/2005 Rosser et al. 47/68
2008/0197255 A1 * 8/2008 Bergevin 248/274.1

* cited by examiner

Primary Examiner — Doris Clark

(74) *Attorney, Agent, or Firm* — Price Heneveld LLP

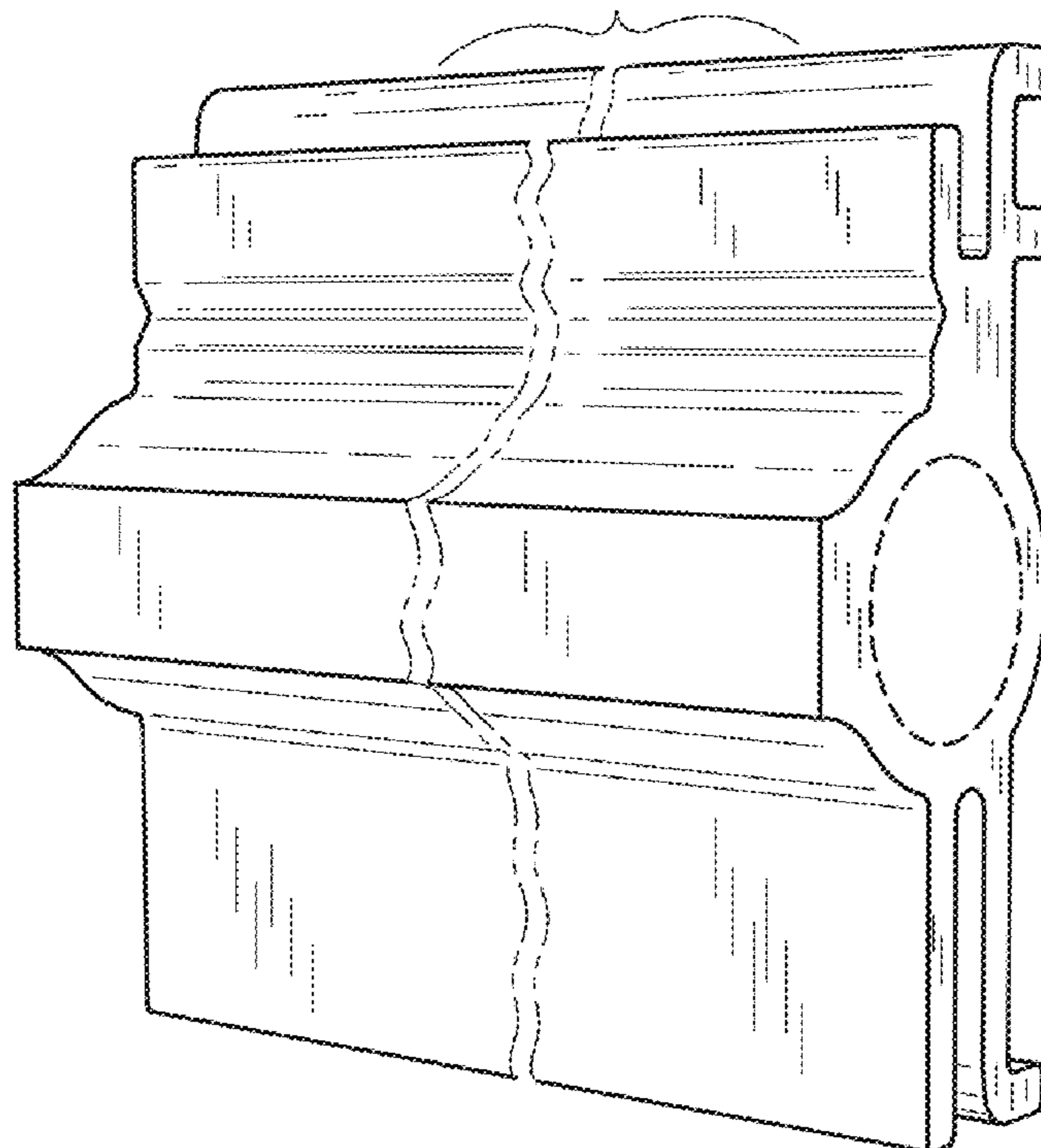
(57) **CLAIM**

I claim the ornamental design of the planter support rail, as shown and described.

DESCRIPTION

FIG. 1 is a perspective view showing a front, top and side of a planter support rail;
FIG. 2 is an elevational view of a right side of the planter support rail;
FIG. 3 is a front elevational view of the planter support rail;
FIG. 4 is a rear elevational view of the planter support rail;
FIG. 5 is a top plan view of the planter support rail; and,
FIG. 6 is a bottom plan view of the planter support rail.
The dashed lines within the figures are shown for illustrative purposes only and form no part of the claimed invention.
The left side view of the planter support assembly is a mirror image of the right side view.

1 Claim, 1 Drawing Sheet



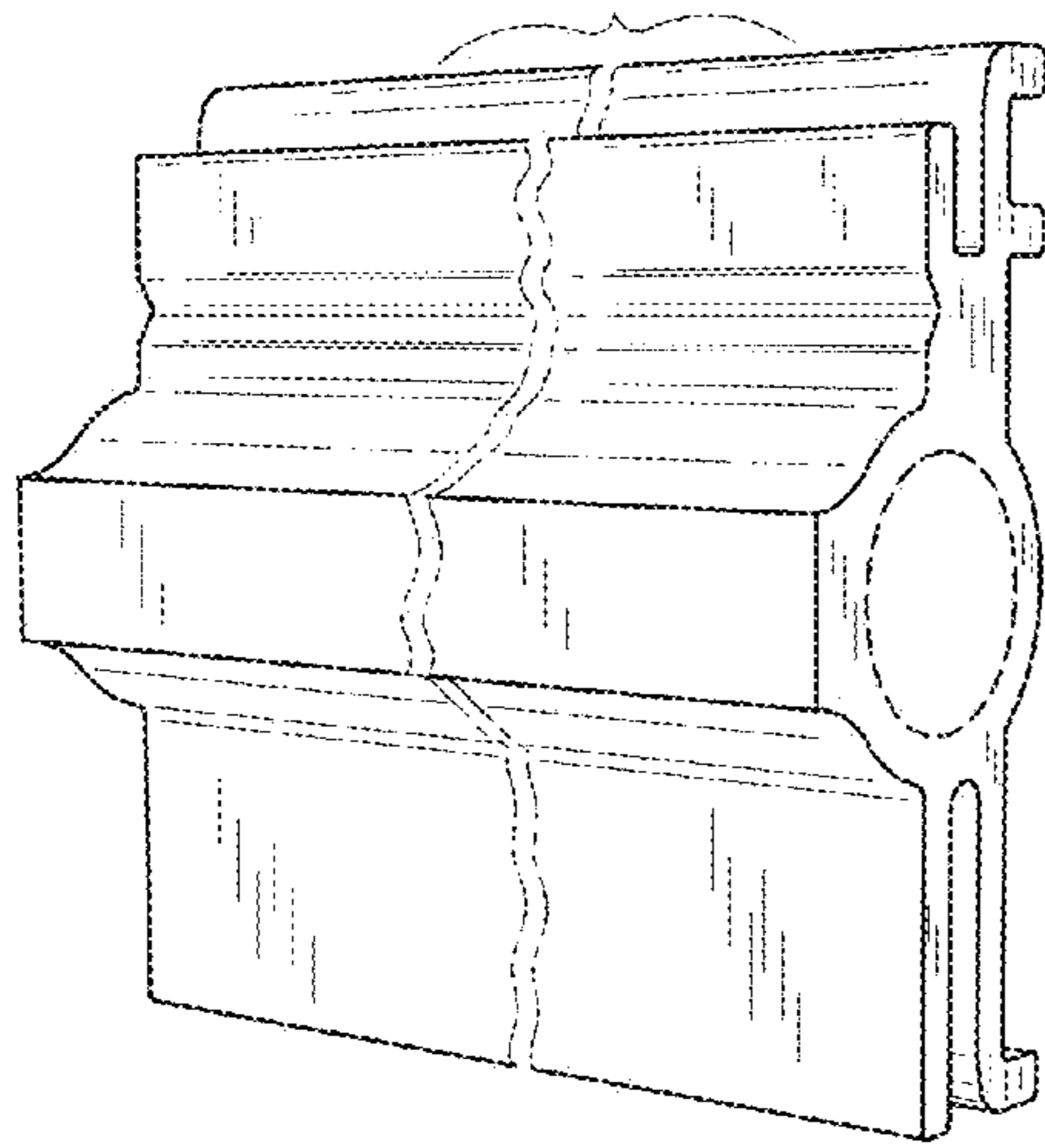


FIG. 1

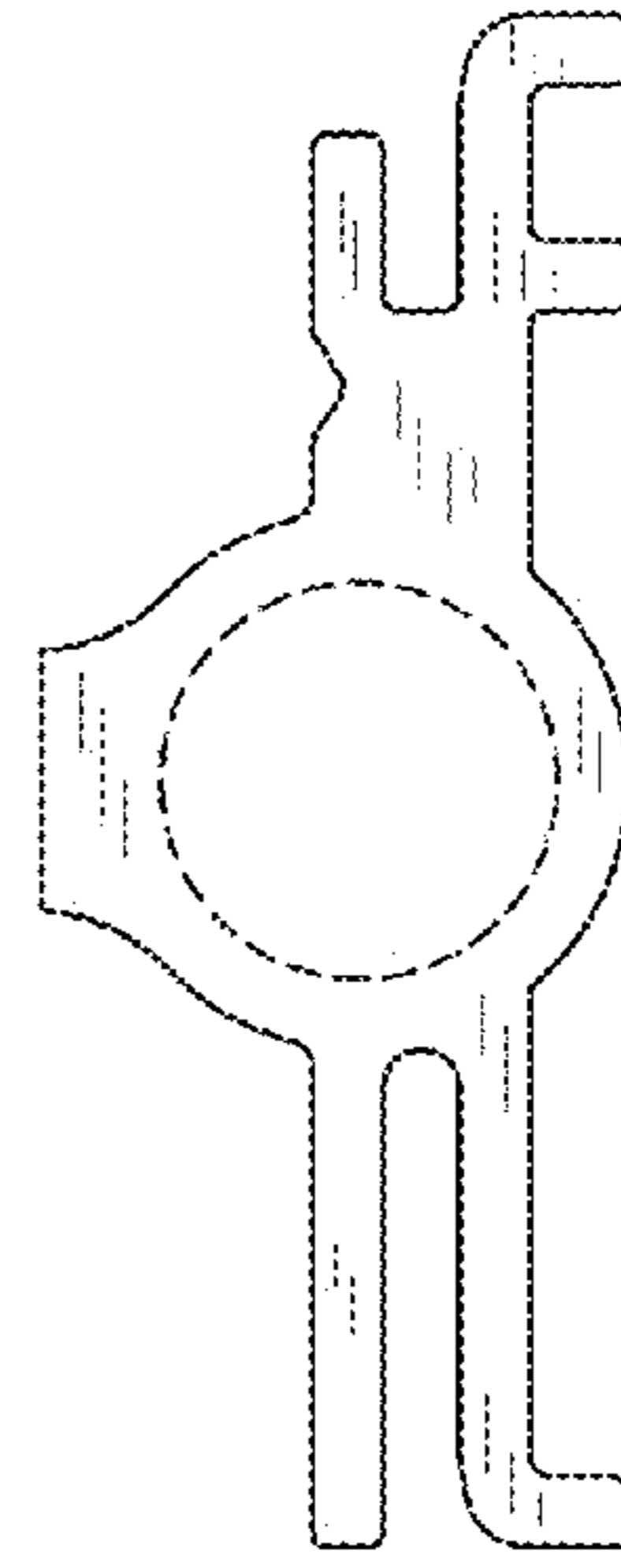


FIG. 2

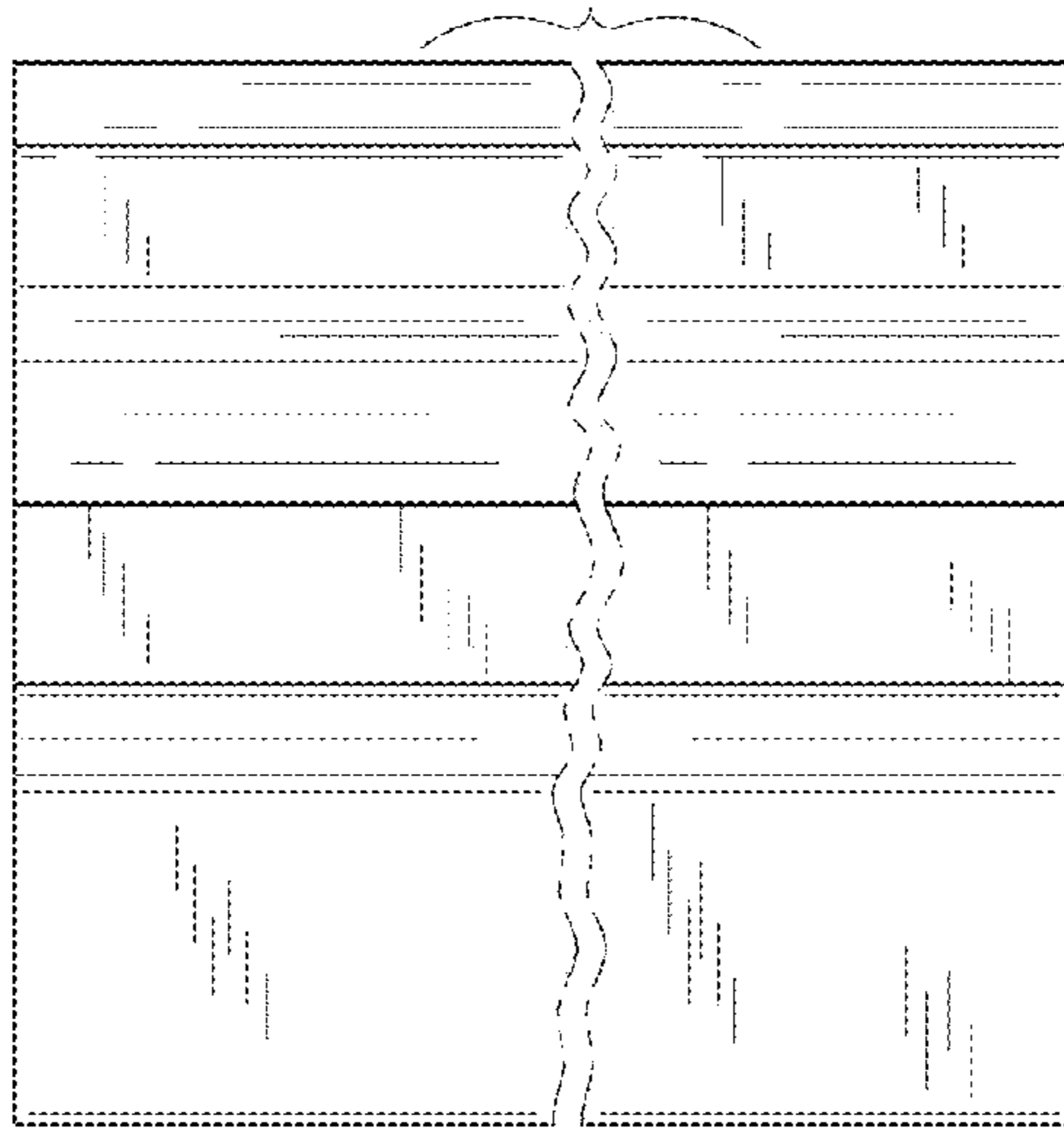


FIG. 3

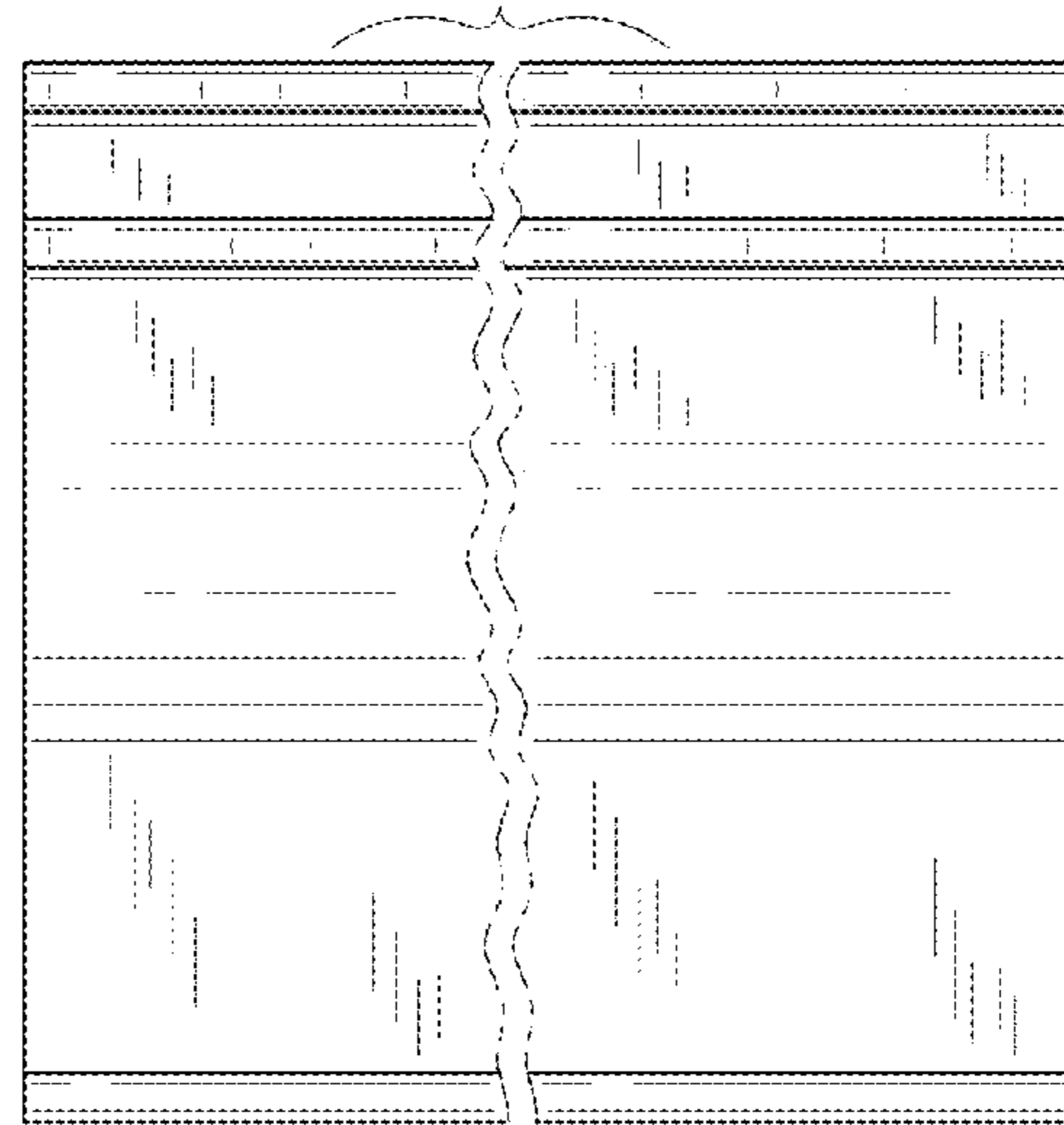


FIG. 4

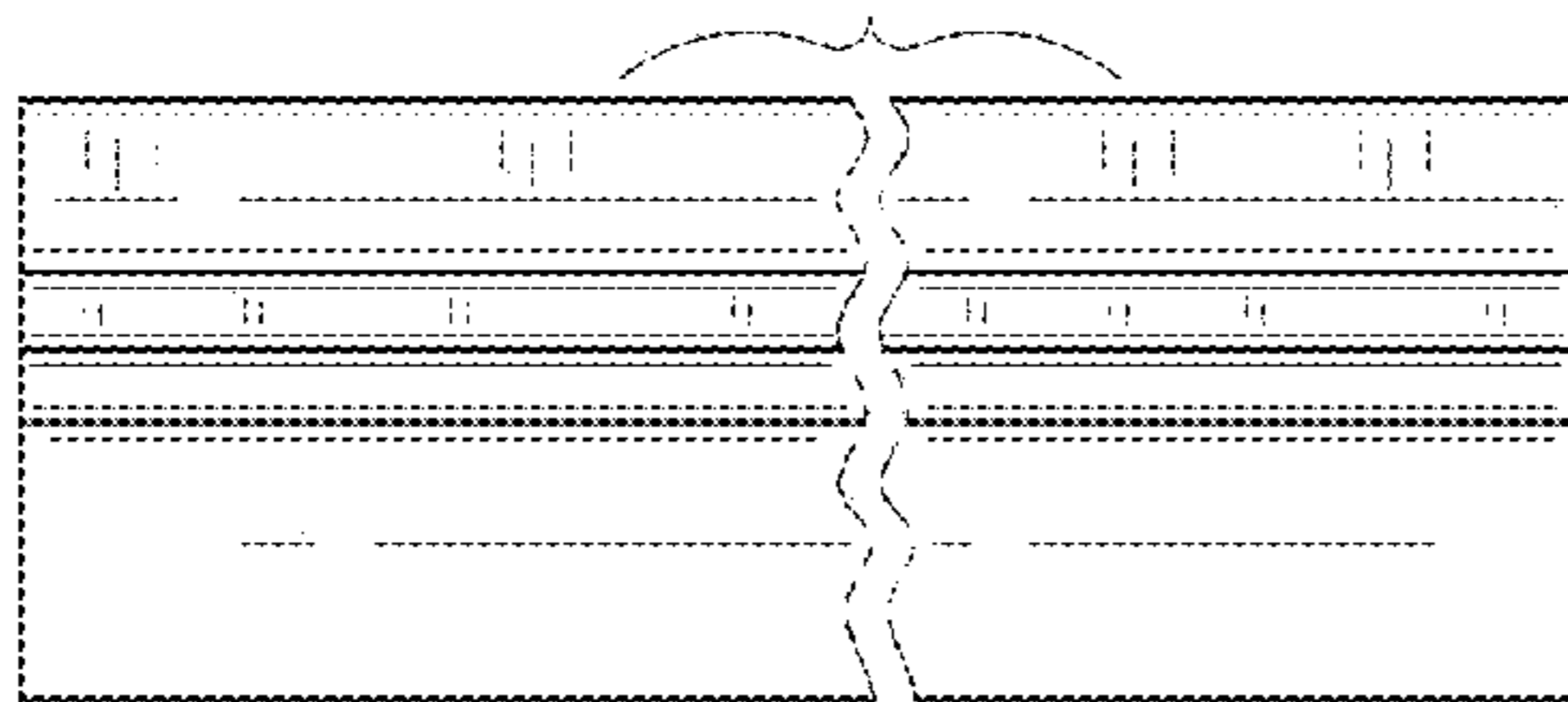


FIG. 5

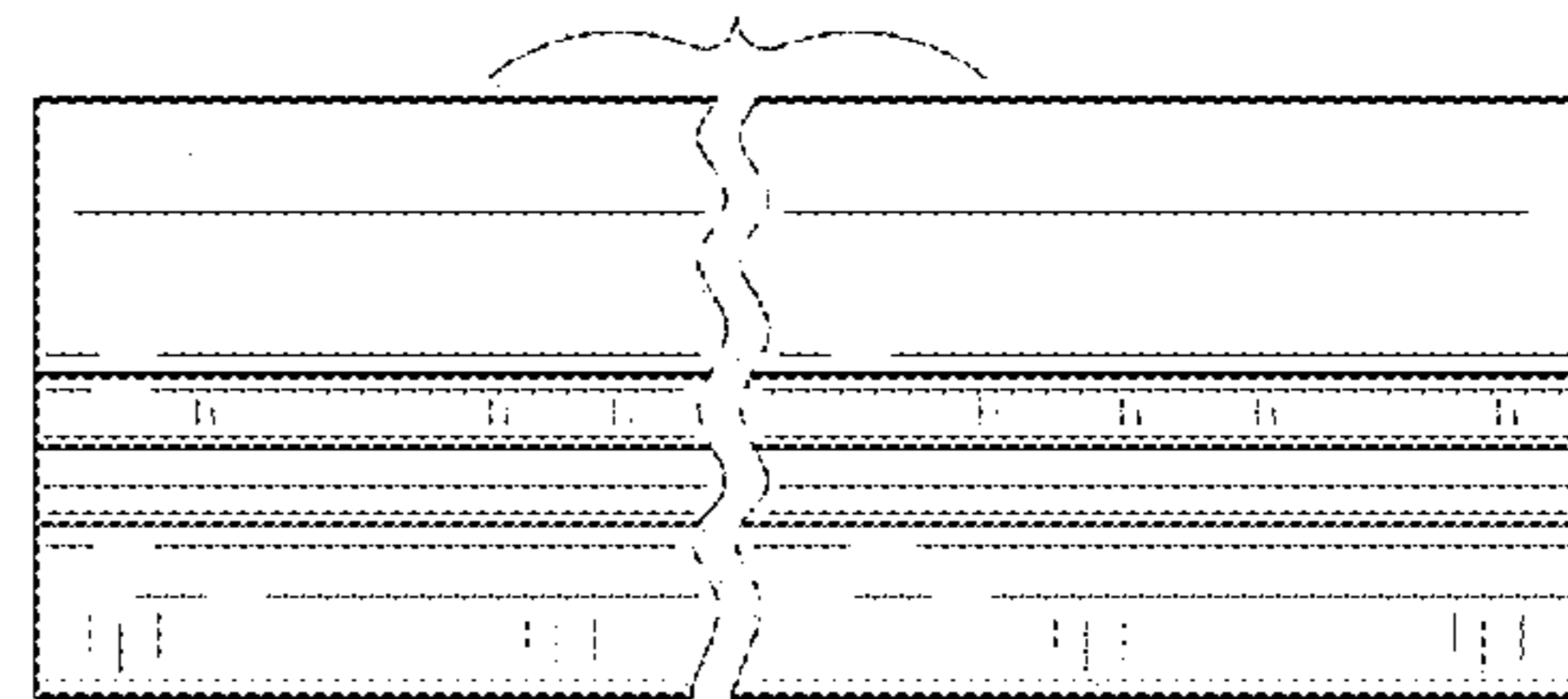


FIG. 6