



US00D698629S

(12) **United States Design Patent**
Hansen et al.

(10) **Patent No.:** **US D698,629 S**
(45) **Date of Patent:** **** Feb. 4, 2014**

(54) **ANGLED HOOK FOR SLIDING MOUNT IN CHANNEL RAIL**

D668,134 S * 10/2012 Barkdoll et al. D8/370

* cited by examiner

(76) Inventors: **William K. Hansen**, La Mesa, CA (US);
Warren William Burton, Alpine, CA (US)

Primary Examiner — Holly Baynham
(74) *Attorney, Agent, or Firm* — Palomar Patent; Mary Jo Redman; Calif Tervo

(**) Term: **14 Years**

(57) **CLAIM**

(21) Appl. No.: **29/425,735**

The ornamental design for an angled hook for sliding mount in channel rail, as shown and described.

(22) Filed: **Jun. 26, 2012**

(51) **LOC (10) Cl.** **03-01**

DESCRIPTION

(52) **U.S. Cl.**
USPC **D8/370**

(58) **Field of Classification Search**
USPC D8/370; 248/220.31, 220.41, 220.43,
248/221.11

FIG. 1 is an upper right side perspective view of an angled hook for sliding mount in channel rail showing our new design;

See application file for complete search history.

FIG. 2 is a left side elevation view thereof; the right side view being a mirror image;

(56) **References Cited**

U.S. PATENT DOCUMENTS

D255,324 S *	6/1980	Pierce	D8/380
D255,646 S *	7/1980	Fischer	D8/370
D432,316 S *	10/2000	Duggan	D6/317
D577,575 S *	9/2008	Ernst et al.	D8/373
D634,184 S *	3/2011	Koehn	D8/373
D655,986 S *	3/2012	Schneider	D7/620

FIG. 3 is a top plan view thereof;

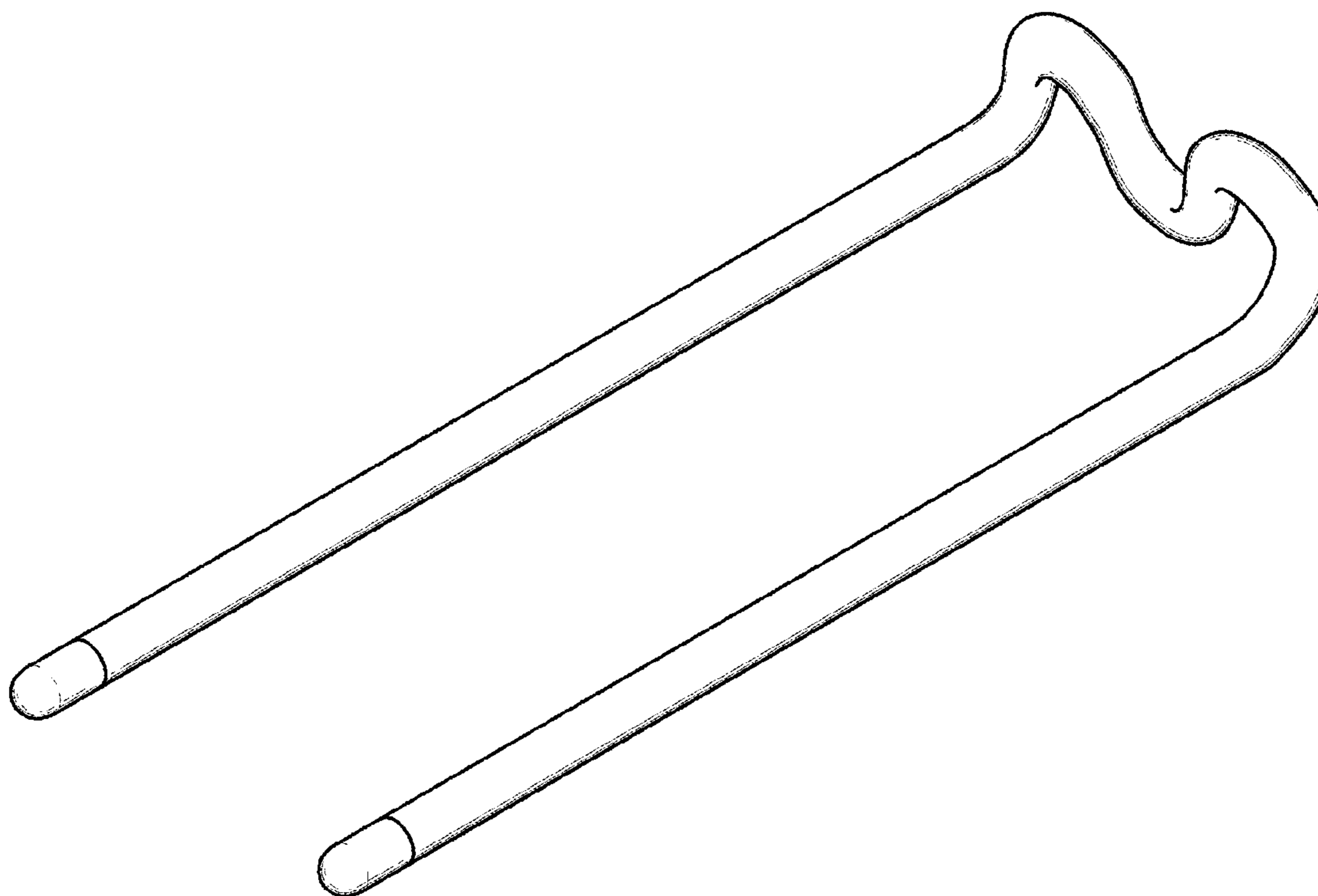
FIG. 4 is a bottom plan view thereof;

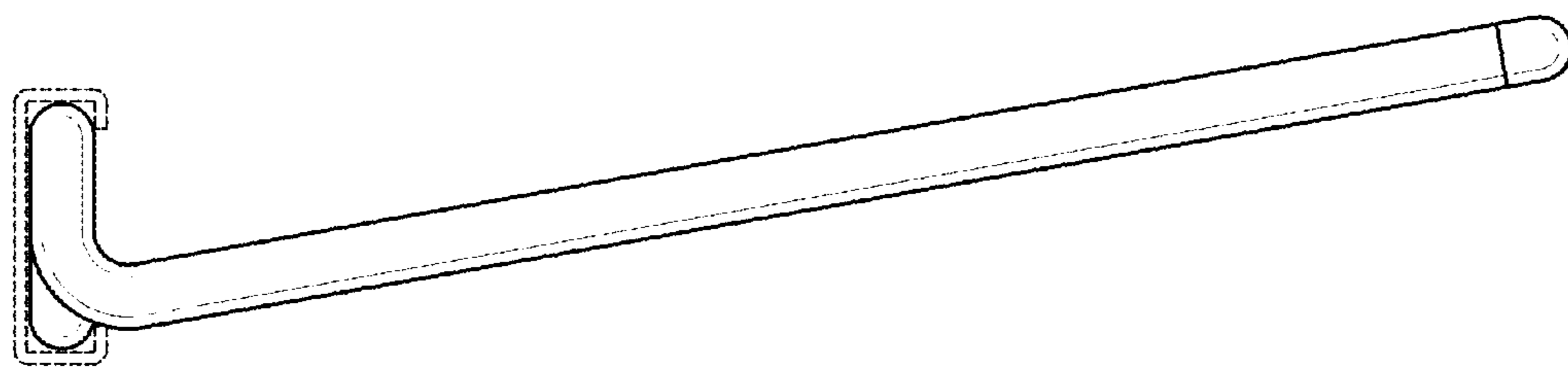
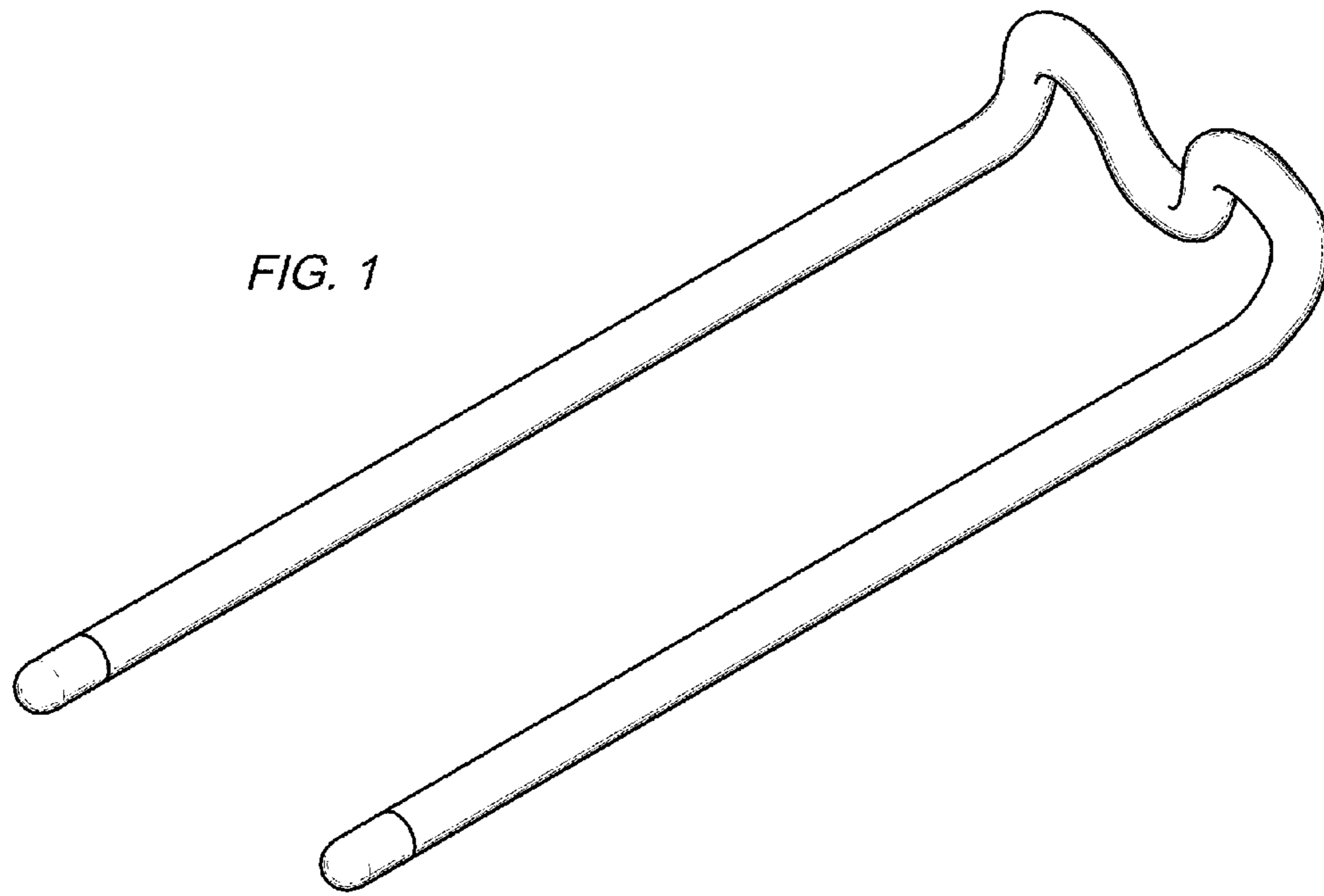
FIG. 5 is a front view thereof;

FIG. 6 is a back view thereof; and,

FIG. 7 is an environmental left side view of the angled hook for sliding mount in channel rail with the broken lines showing the channel rail being for the purposes of illustrating environment and forming no part of the claimed design.

1 Claim, 2 Drawing Sheets





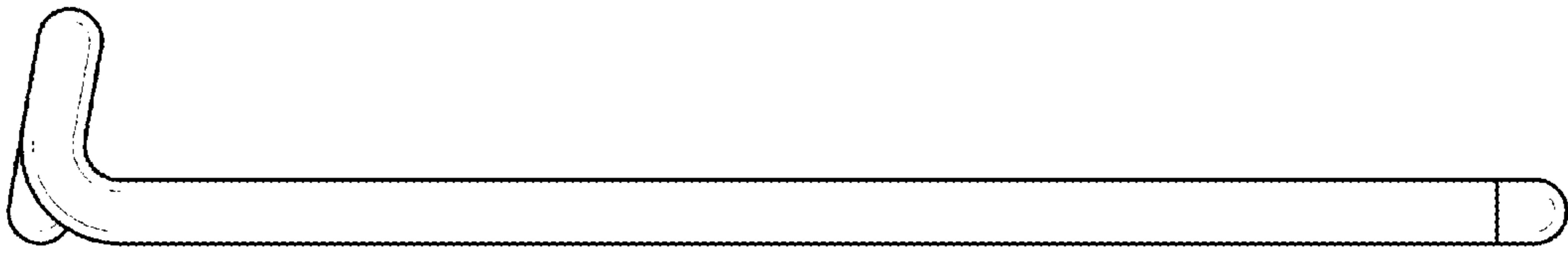


FIG. 2

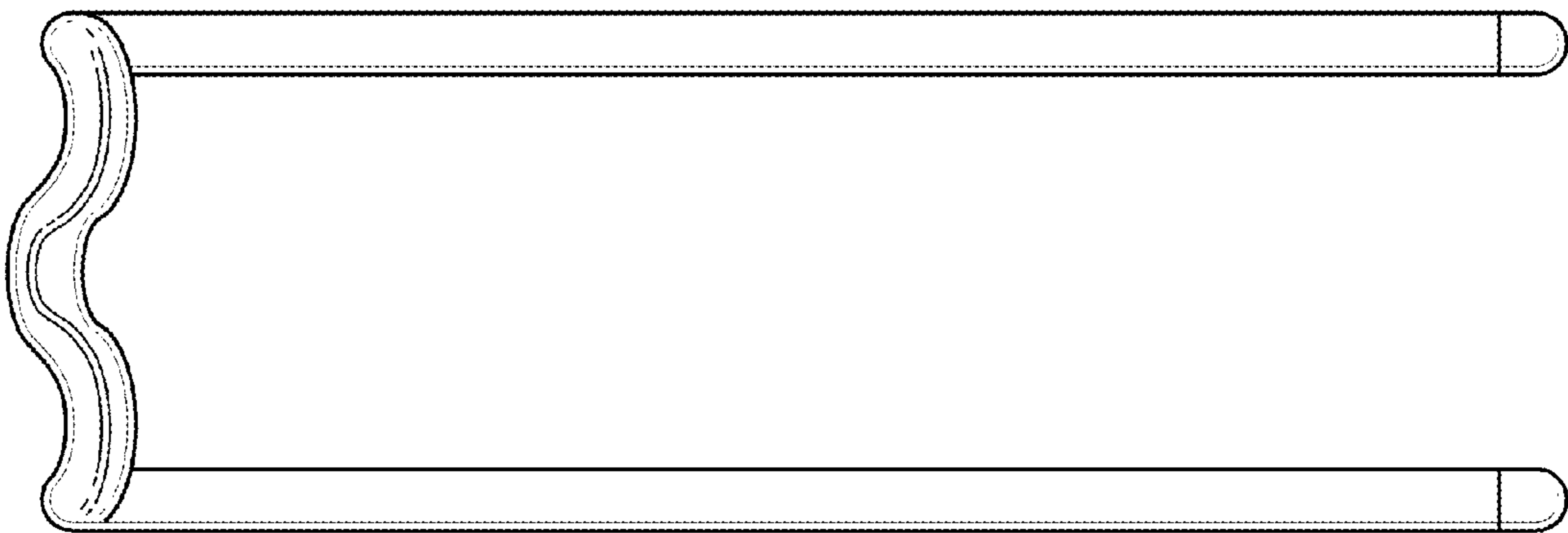


FIG. 3

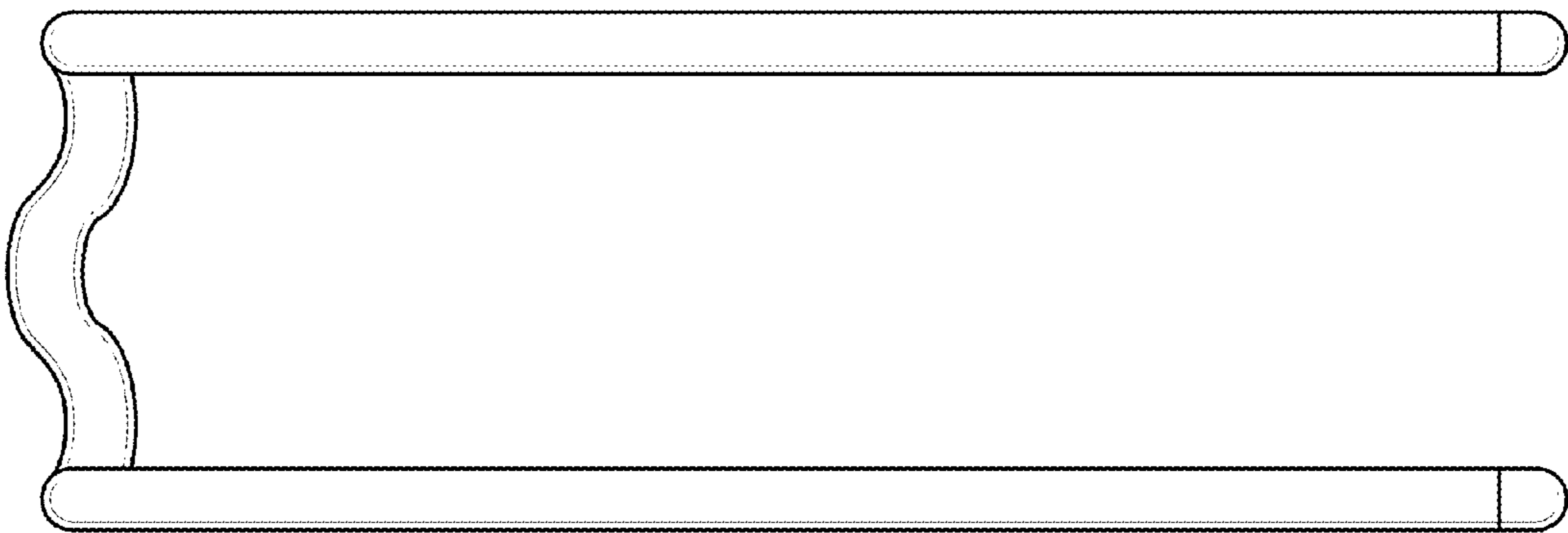


FIG. 4

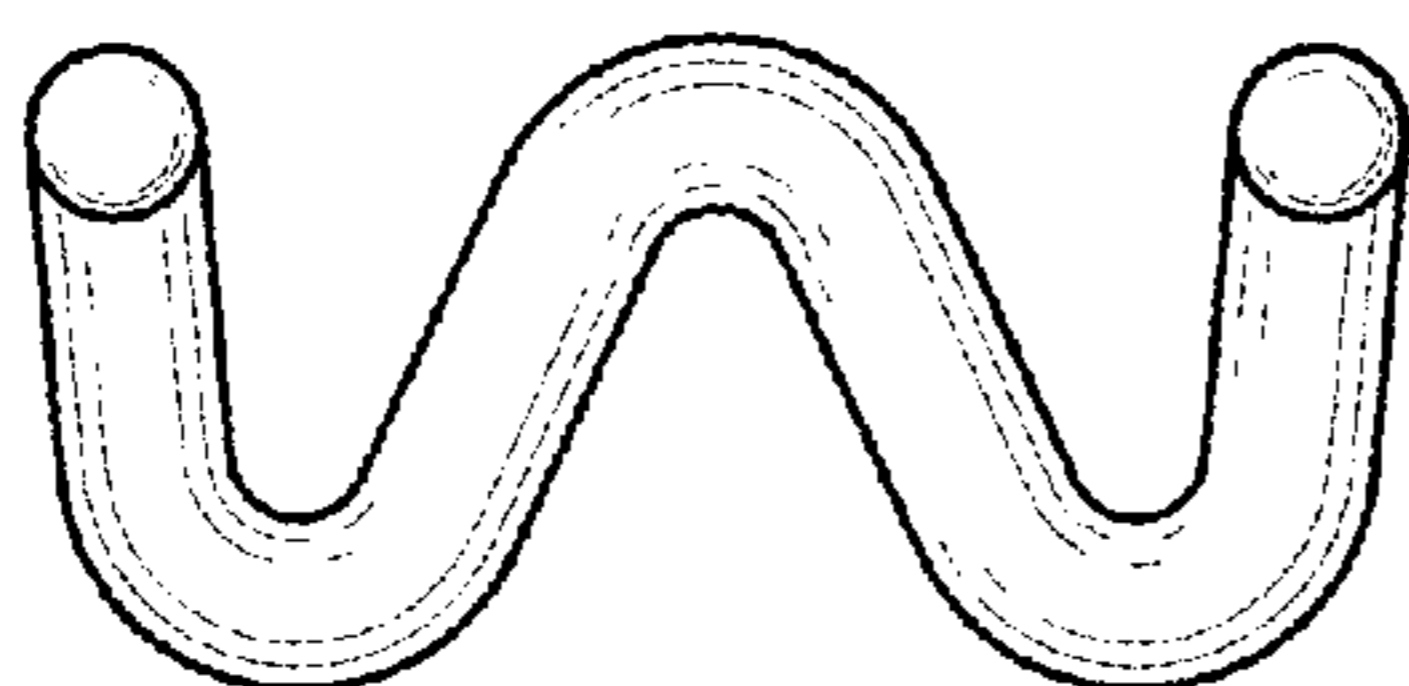


FIG. 5



FIG. 6