

US00D698628S

(12) **United States Design Patent**
Stanley

(10) **Patent No.:** **US D698,628 S**
(45) **Date of Patent:** **** Feb. 4, 2014**

- (54) **HINGE HOOK**
- (71) Applicant: **IP Holdings, LLC**, Vancouver, WA (US)
- (72) Inventor: **John Stanley**, Vancouver, WA (US)
- (73) Assignee: **IP Holdings, LLC**, Vancouver, WA (US)
- (**) Term: **14 Years**
- (21) Appl. No.: **29/434,634**
- (22) Filed: **Oct. 15, 2012**
- (51) **LOC (10) Cl.** **08-05**
- (52) **U.S. Cl.**
USPC **D8/367**
- (58) **Field of Classification Search**
USPC D7/367, 323, 353, 373, 381; D26/138,
D26/24; 362/368, 374, 355, 18, 220, 362;
52/39, 28; D8/367, 354, 349, 373;
D6/323; 248/301-304, 339
See application file for complete search history.

| | | | | | |
|--------------|------|---------|-------------------|-------|------------|
| D474,958 | S * | 5/2003 | Perdue | | D8/349 |
| 6,595,662 | B2 | 7/2003 | Wardenburg | | |
| D481,303 | S * | 10/2003 | Fell et al. | | D8/395 |
| 6,659,623 | B2 * | 12/2003 | Friend | | 362/249.06 |
| D485,484 | S * | 1/2004 | McCoy et al. | | D8/343 |
| D486,727 | S * | 2/2004 | Smith et al. | | D8/375 |
| D523,736 | S * | 6/2006 | Lu | | D8/373 |
| D548,051 | S * | 8/2007 | Ruppert et al. | | D8/354 |
| D593,248 | S * | 5/2009 | Quintin | | D26/138 |
| 7,641,367 | B2 | 1/2010 | Hargreaves et al. | | |
| D610,434 | S * | 2/2010 | Watts et al. | | D8/349 |
| D619,879 | S * | 7/2010 | McCarthy et al. | | D8/354 |
| D631,734 | S * | 2/2011 | Fernandez et al. | | D8/380 |
| D645,865 | S * | 9/2011 | Diehl | | D14/432 |
| D656,452 | S * | 3/2012 | Calvert | | D12/223 |
| D662,653 | S * | 6/2012 | Hochman | | D26/138 |
| 8,209,912 | B2 | 7/2012 | Hargreaves et al. | | |
| 8,234,826 | B1 * | 8/2012 | Proffitt, Jr. | | 52/293.3 |
| D667,718 | S * | 9/2012 | Preda | | D8/354 |
| D668,379 | S * | 10/2012 | Storey | | D26/138 |
| D679,176 | S * | 4/2013 | Tedesco et al. | | D8/394 |
| D690,188 | S * | 9/2013 | Pontus | | D8/349 |
| 2009/0173036 | A1 * | 7/2009 | Hand | | 52/715 |

* cited by examiner

Primary Examiner — Cynthia Underwood

(74) *Attorney, Agent, or Firm* — Robert J. Ireland; J. Douglas Wells

(56) **References Cited**

U.S. PATENT DOCUMENTS

| | | | | | |
|-----------|-----|---------|-----------------------|-------|---------|
| 2,701,840 | A | 2/1955 | Carlson | | |
| 2,791,681 | A | 5/1957 | Evans et al. | | |
| 3,019,333 | A | 1/1962 | Pascucci | | |
| 3,983,387 | A | 9/1976 | Van Steenhoven et al. | | |
| 4,155,111 | A | 5/1979 | Kelly et al. | | |
| 4,504,888 | A | 3/1985 | Rosenthal | | |
| 4,713,916 | A | 12/1987 | Brooks, Jr. | | |
| 4,825,621 | A * | 5/1989 | Jensen | | 52/702 |
| D324,990 | S * | 3/1992 | Gary | | D8/354 |
| D354,677 | S * | 1/1995 | Troyer | | D8/396 |
| D374,739 | S * | 10/1996 | Blanton | | D26/138 |
| 6,059,424 | A | 5/2000 | Kotloff | | |
| D437,282 | S * | 2/2001 | Joll | | D12/223 |
| 6,247,830 | B1 | 6/2001 | Winnett | | |
| 6,267,483 | B1 | 7/2001 | Hembry | | |
| 6,276,818 | B1 | 8/2001 | Wang | | |

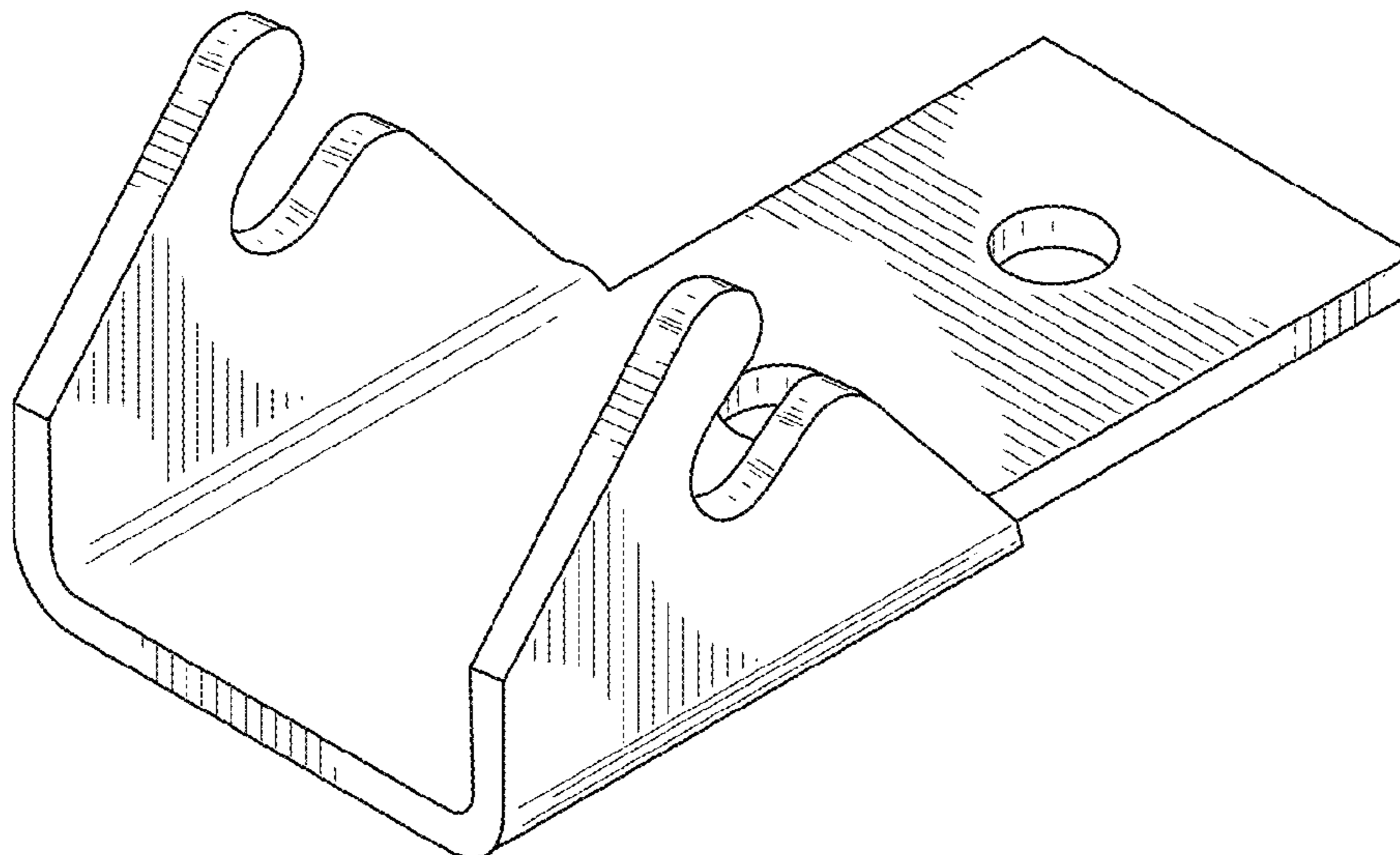
(57) **CLAIM**

The ornamental design for a hinge hook, as shown and described.

DESCRIPTION

FIG. 1 is a right perspective view;
FIG. 2 is a front view;
FIG. 3 is a back view;
FIG. 4 is a right side view;
FIG. 5 is a left side view;
FIG. 6 is a top view; and,
FIG. 7 is a bottom view.

1 Claim, 5 Drawing Sheets



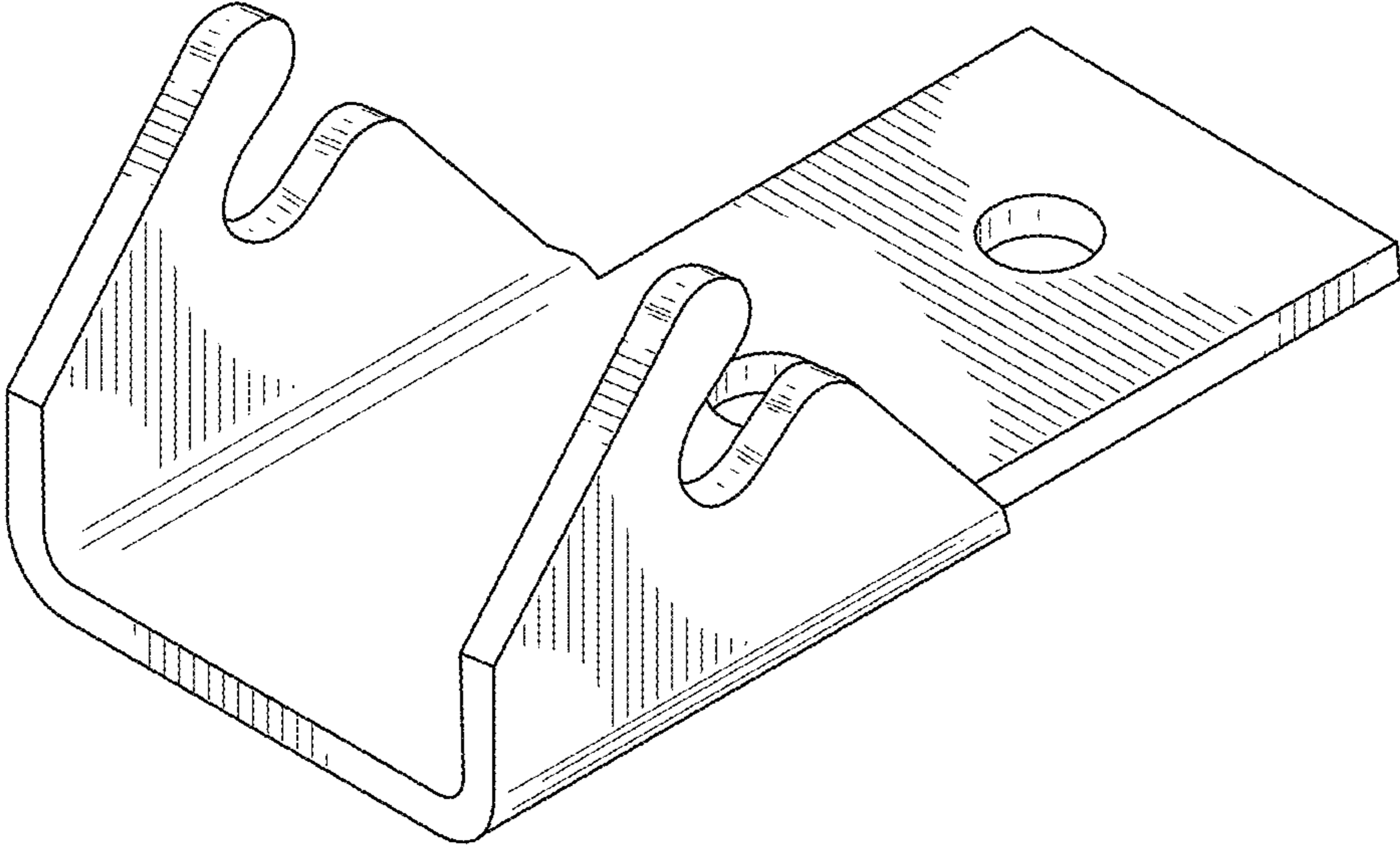


FIG. 1

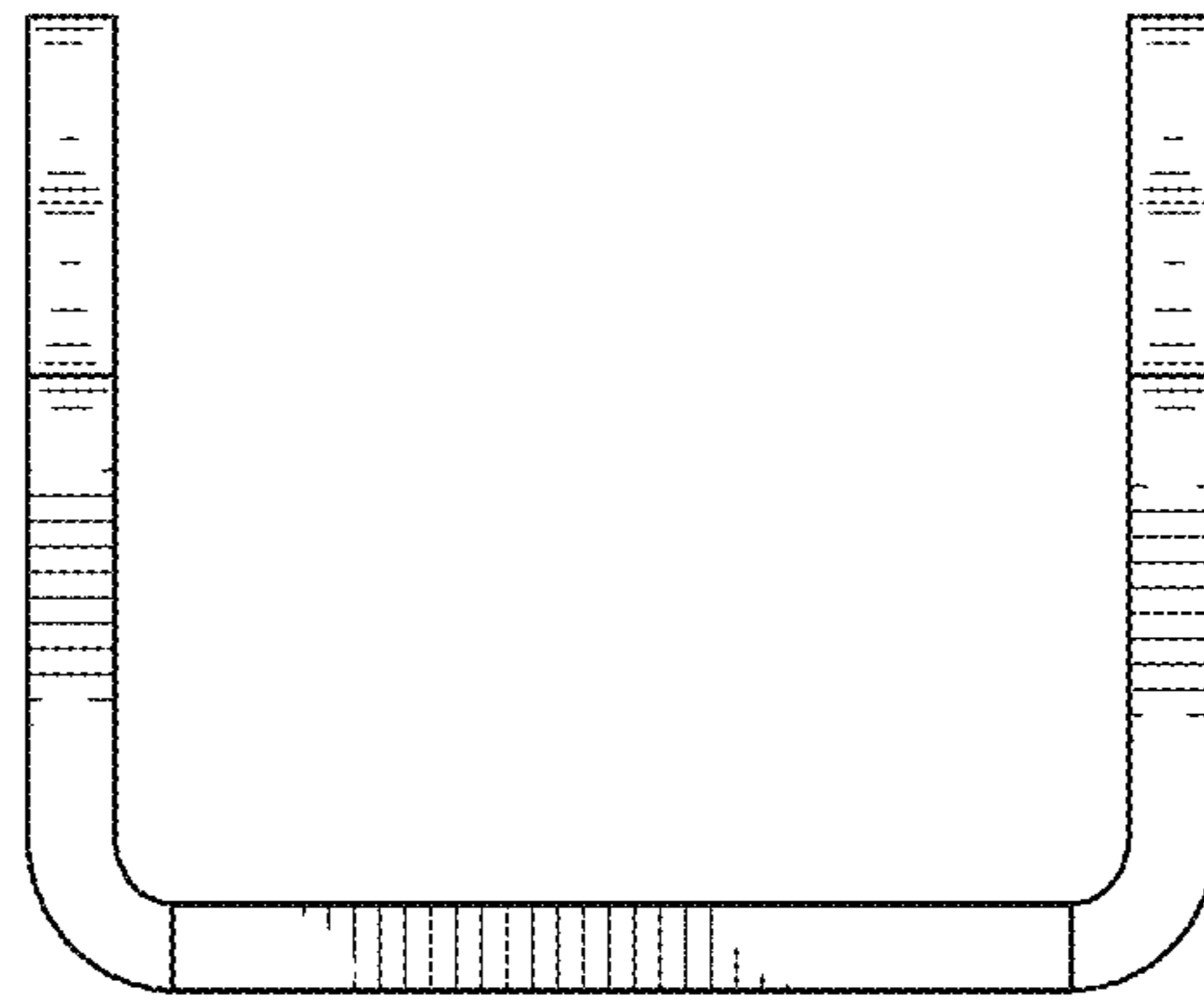


FIG. 2

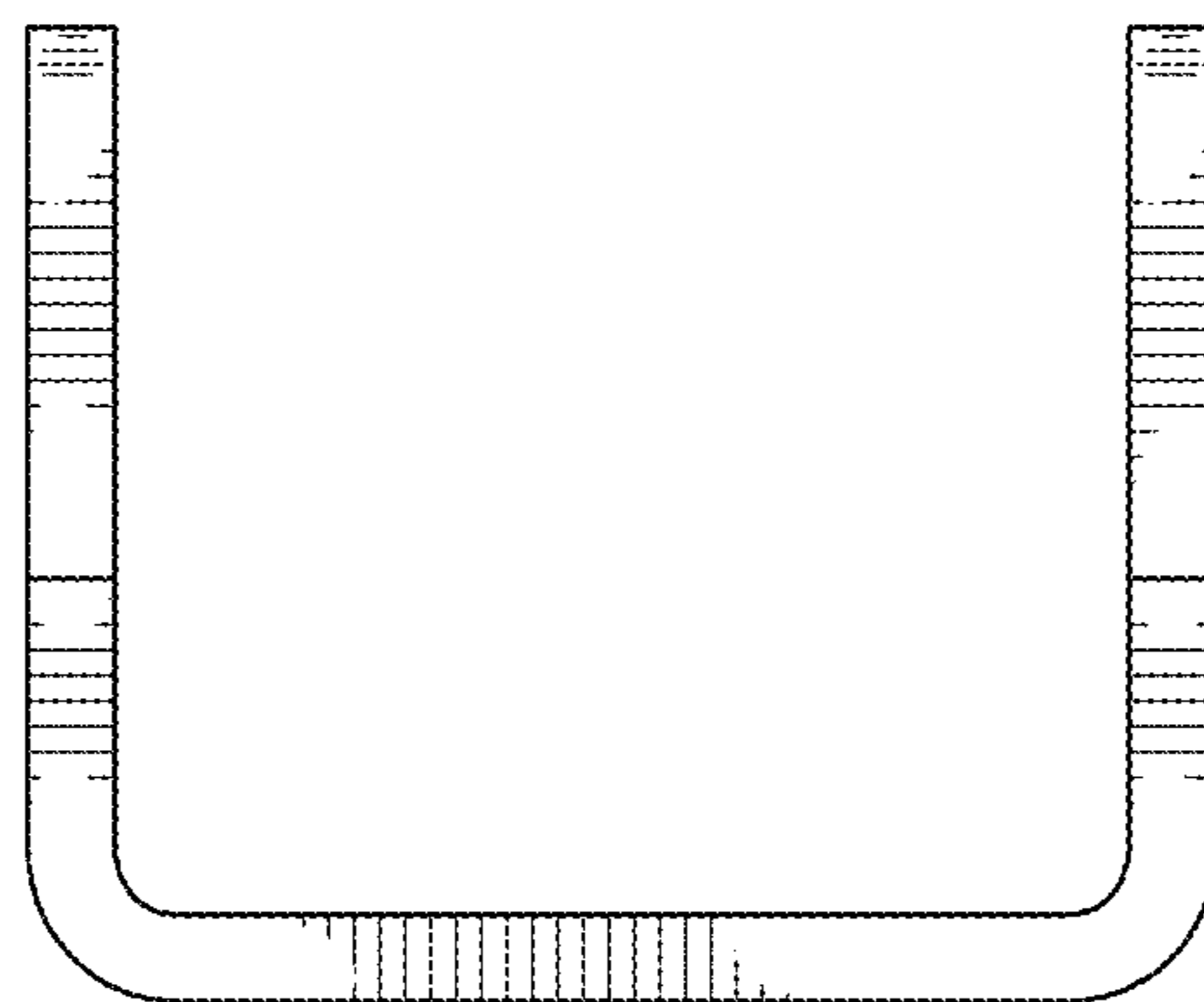


FIG. 3

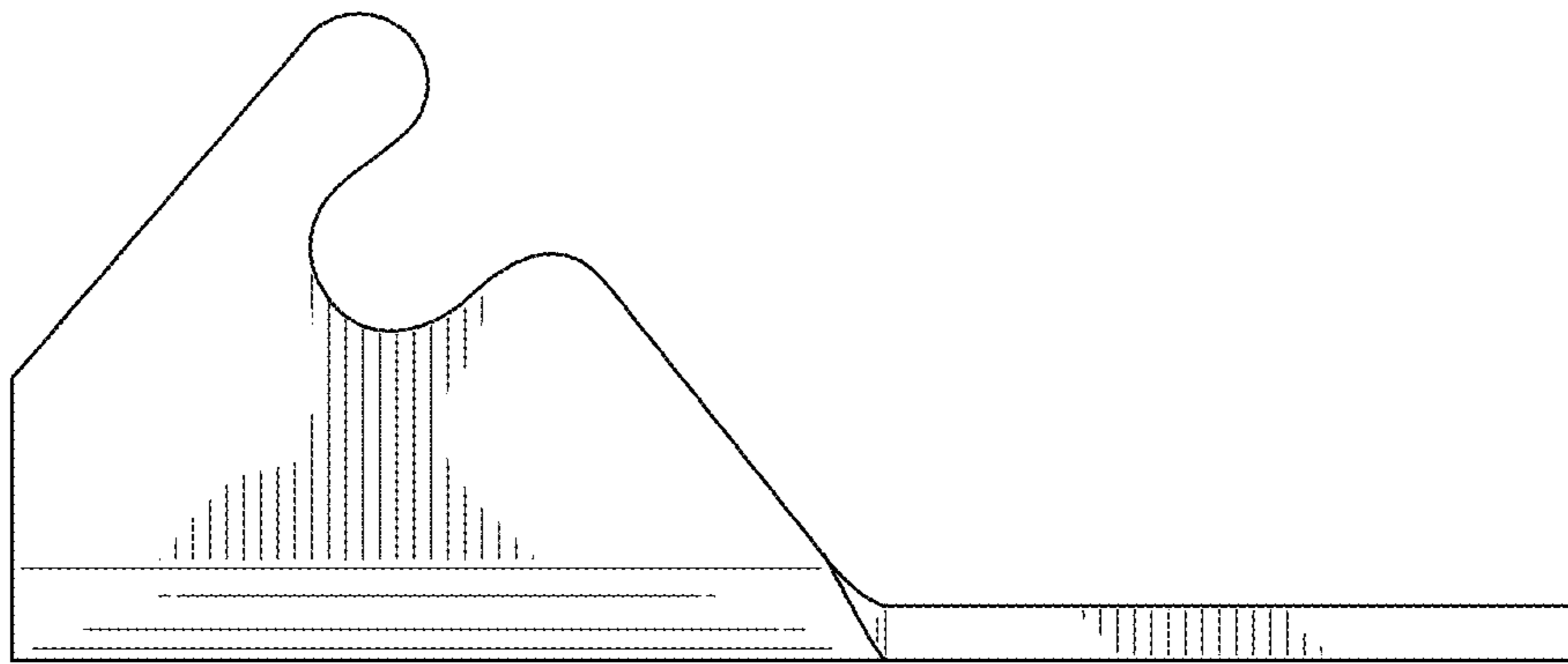


FIG. 4

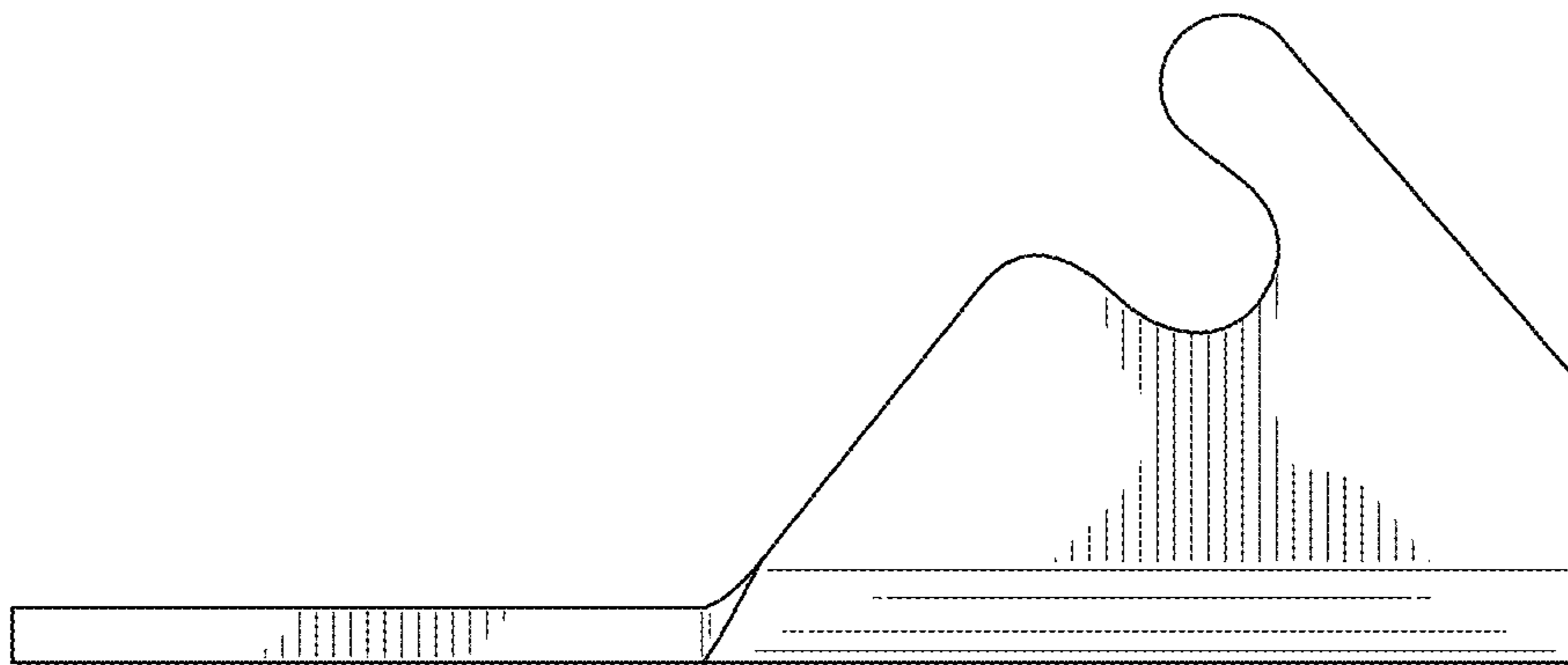


FIG. 5

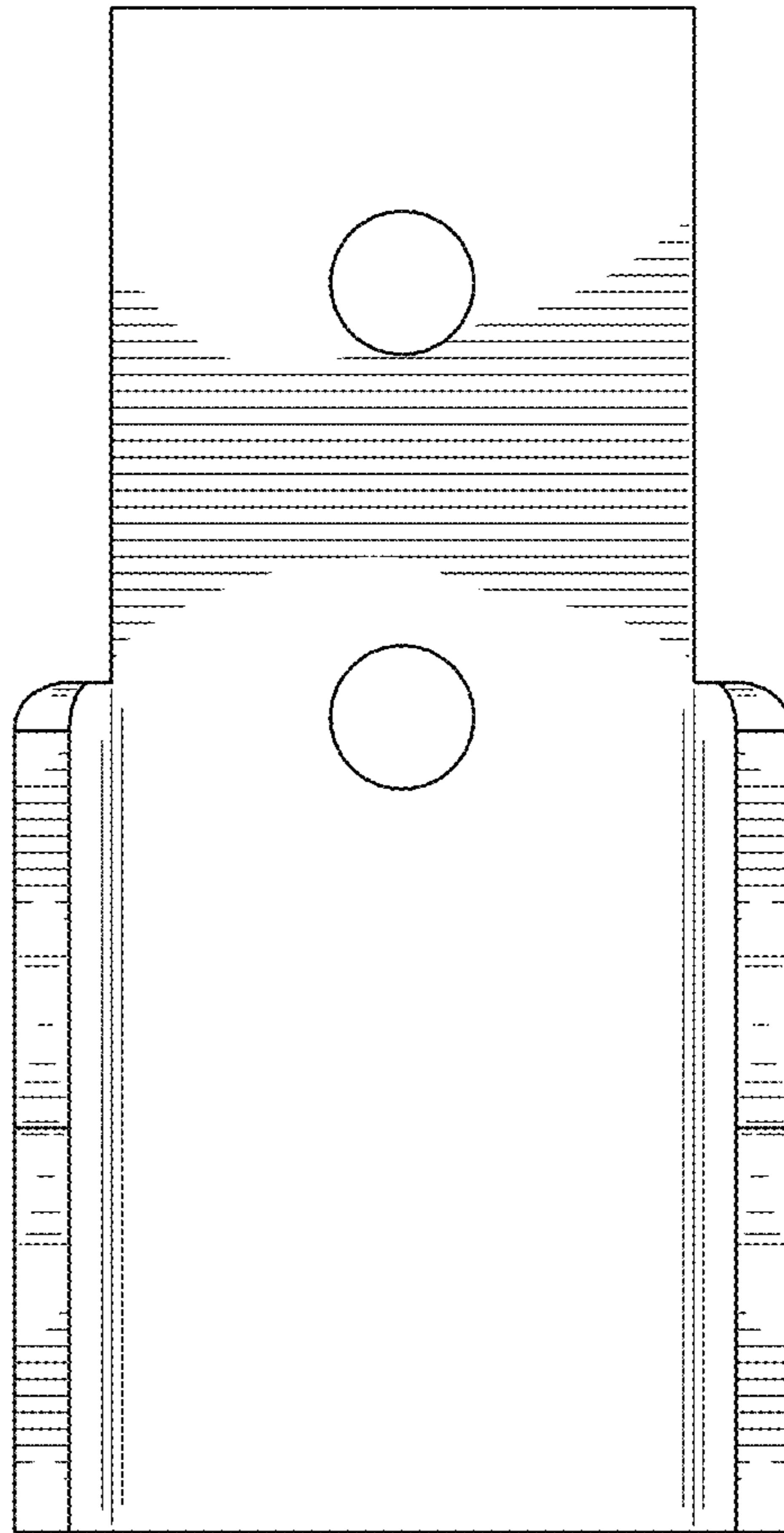


FIG. 6

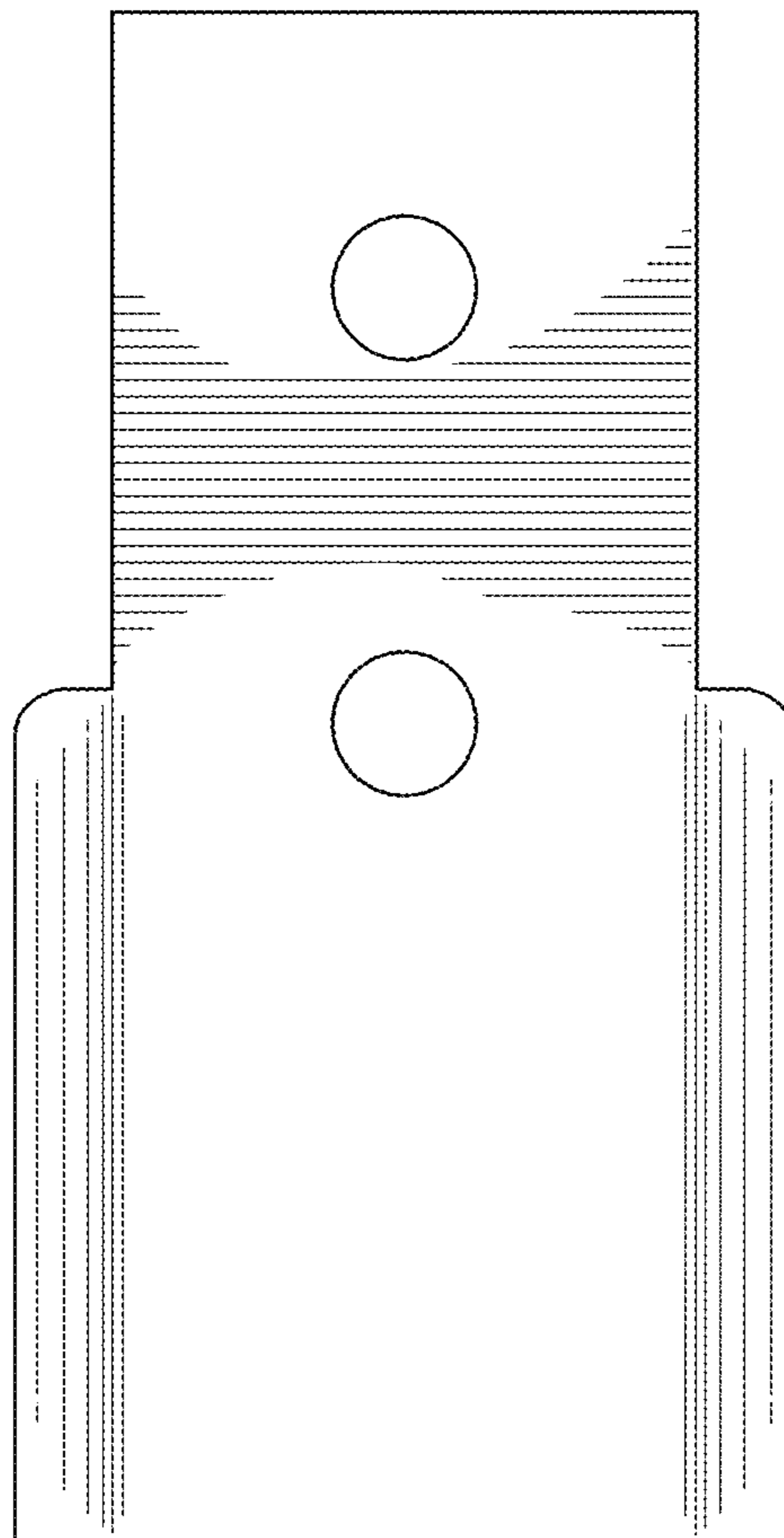


FIG. 7