



US00D698626S

(12) **United States Design Patent**
Ormsbee et al.

(10) **Patent No.:** **US D698,626 S**
(45) **Date of Patent:** **** Feb. 4, 2014**

(54) **LOCKING DOUBLE CARABINEER**
(71) Applicant: **Nite Ize, Inc.**, Boulder, CO (US)
(72) Inventors: **Bowden Ormsbee**, Longmont, CO (US);
Peter Zagone, Boulder, CO (US)
(73) Assignee: **Nite Ize, Inc.**, Boulder, CO (US)
(**) Term: **14 Years**
(21) Appl. No.: **29/441,484**
(22) Filed: **Jan. 6, 2013**
(51) **LOC (10) Cl.** **08-05**
(52) **U.S. Cl.**
USPC **D8/356; D8/367**
(58) **Field of Classification Search**
USPC D8/360.1, 356, 355, 354, 349, 383, 372,
D8/367, 1, 382, 395; 24/592.11, 599.1,
24/588.1, 601.5, 601, 599.9, 598.1, 599.6,
24/452, 129 R, 600.9; 70/59; 63/8, 7, 12,
63/15, 1.14; D12/317; D6/323;
248/301-304, 175, 63; 402/35;
114/218, 114; 294/137, 158, 82.19;
410/101; 182/3; D11/210; D19/32
See application file for complete search history.

(56) **References Cited**
U.S. PATENT DOCUMENTS
437,380 A * 9/1890 Lundborg 24/600.9
2,064,133 A * 12/1936 Von Schroeder 248/214
3,630,475 A * 12/1971 Barry 248/215
D244,910 S * 7/1977 Chasen et al. D8/367
D271,465 S 11/1983 Boissonnet
D271,466 S * 11/1983 Boissonnet D8/367
D273,273 S 4/1984 Faidide
D282,904 S 3/1986 Faidide
D292,385 S * 10/1987 Udelhofen D11/210
D323,104 S * 1/1992 Russell et al. D8/370
D407,297 S 3/1999 Mihailovic
D425,781 S * 5/2000 Hopper D8/382

D448,655 S 10/2001 Lai
D466,791 S * 12/2002 Kelleghan D8/356
D468,997 S 1/2003 Chang
D475,605 S 6/2003 Kelleghan
D493,092 S 7/2004 Kalat
D508,525 S 8/2005 Goldberg
D521,362 S 5/2006 Kelleghan
D528,238 S 9/2006 Kramer
7,214,171 B2 * 5/2007 Thelen et al. 482/124
D577,574 S 9/2008 Liang
D594,738 S * 6/2009 Kelleghan D8/356
D603,293 S * 11/2009 Merriam-Smith D11/200
D607,712 S * 1/2010 Kelleghan D8/356
D612,710 S * 3/2010 Kelleghan D8/356
D626,393 S * 11/2010 Ormsbee D8/34

(Continued)

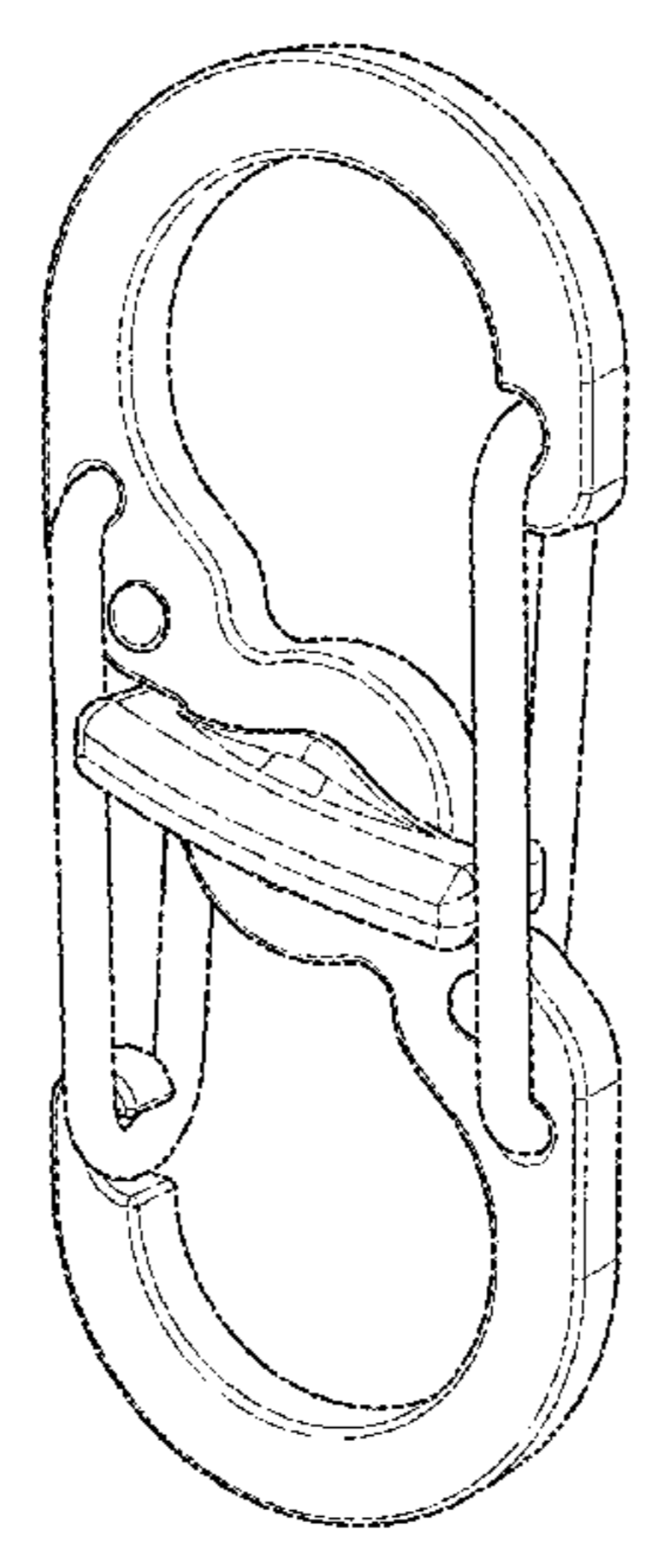
Primary Examiner — Cynthia Underwood
(74) *Attorney, Agent, or Firm* — Patton Boggs LLP

(57) **CLAIM**
The ornamental design for a locking double carabineer, as shown and described.

DESCRIPTION

FIG. 1 is a front perspective view of a locking double carabineer;
FIG. 2 is a rear perspective view of the locking double carabineer of FIG. 1;
FIG. 3 is a front view of the locking double carabineer of FIG. 1;
FIG. 4 is a rear view of the locking double carabineer of FIG. 1;
FIG. 5 is a left view of the locking double carabineer of FIG. 1;
FIG. 6 is a right view of the locking double carabineer of FIG. 1;
FIG. 7 is a top view of the locking double carabineer of FIG. 1; and,
FIG. 8 is a bottom view of the locking double carabineer of FIG. 1.

1 Claim, 3 Drawing Sheets



(56)

References Cited

U.S. PATENT DOCUMENTS

D631,332 S * 1/2011 Bauer et al. D8/367
D631,333 S * 1/2011 Bauer et al. D8/367
D637,473 S * 5/2011 Mitchell D8/336
D646,556 S * 10/2011 Kelleghan D8/356
8,151,419 B2 * 4/2012 Rolain et al. 24/601.5
D665,655 S * 8/2012 Ishii D8/367

D669,764 S * 10/2012 Kelleghan D8/356
D670,555 S * 11/2012 Lin D8/367
D684,845 S * 6/2013 Wood D8/356
D686,058 S * 7/2013 Paik et al. D8/356
D688,118 S * 8/2013 Hobson D8/356
2005/0087662 A1 * 4/2005 Jacobs 248/339
2007/0119891 A1 * 5/2007 Lawrence 224/669
2009/0000086 A1 * 1/2009 Bing 24/592.11

* cited by examiner

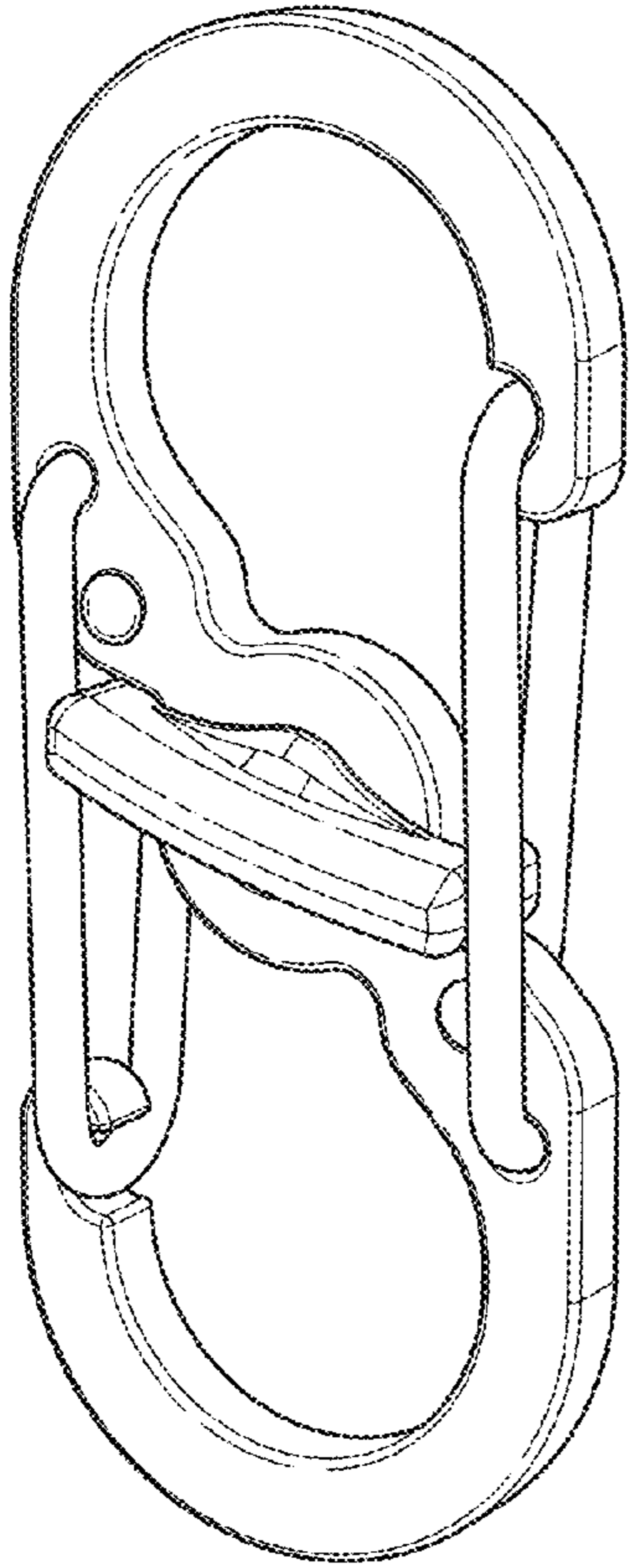


FIG. 1

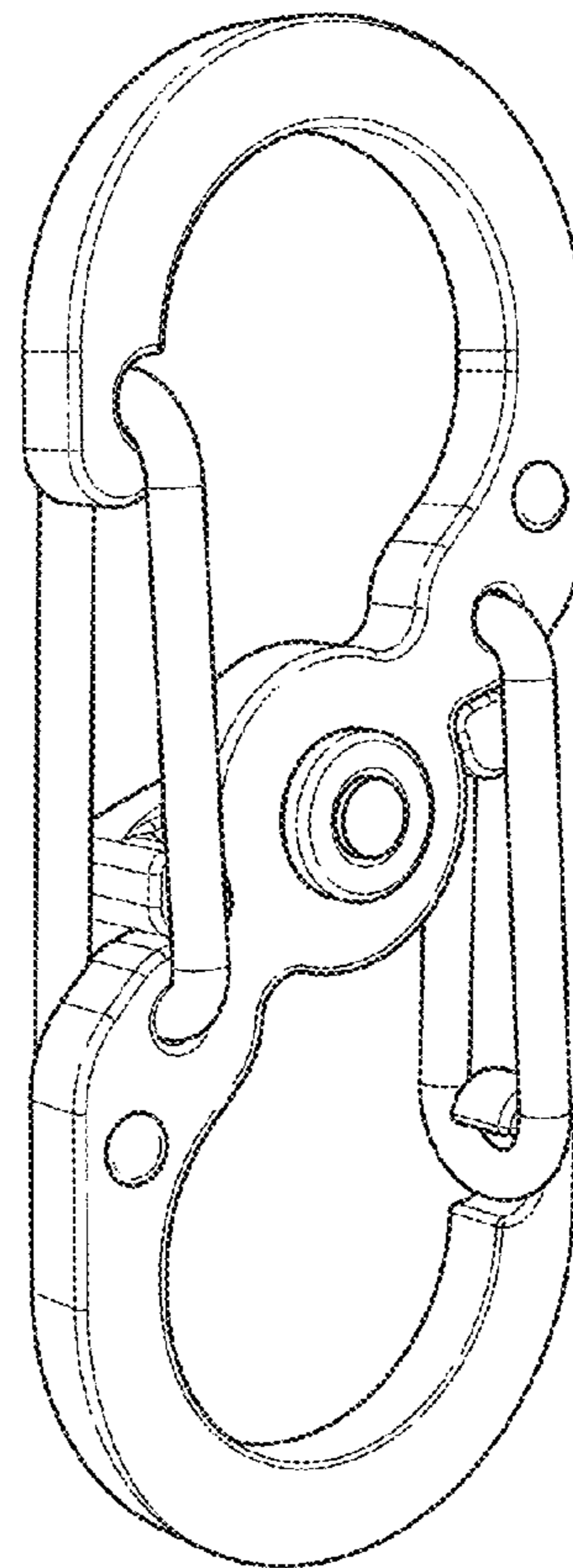


FIG. 2

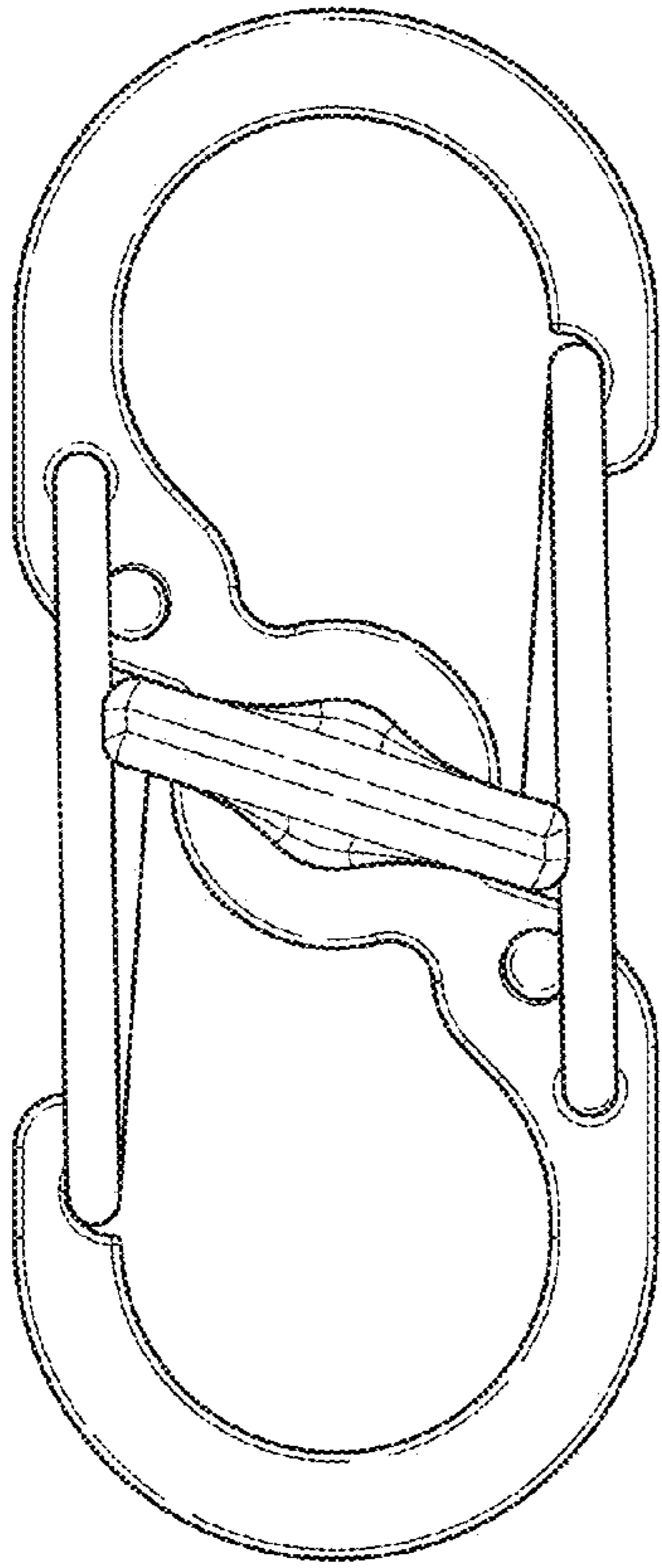


FIG. 3

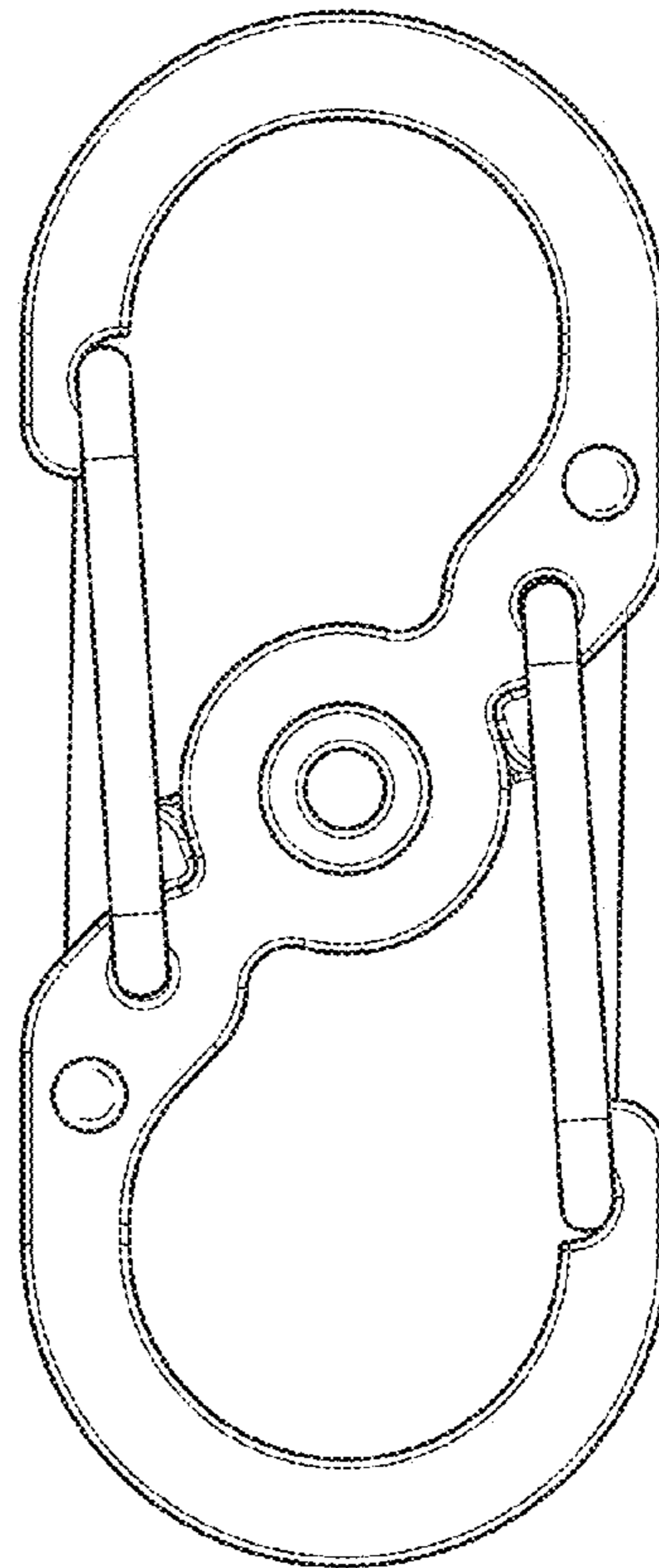


FIG. 4

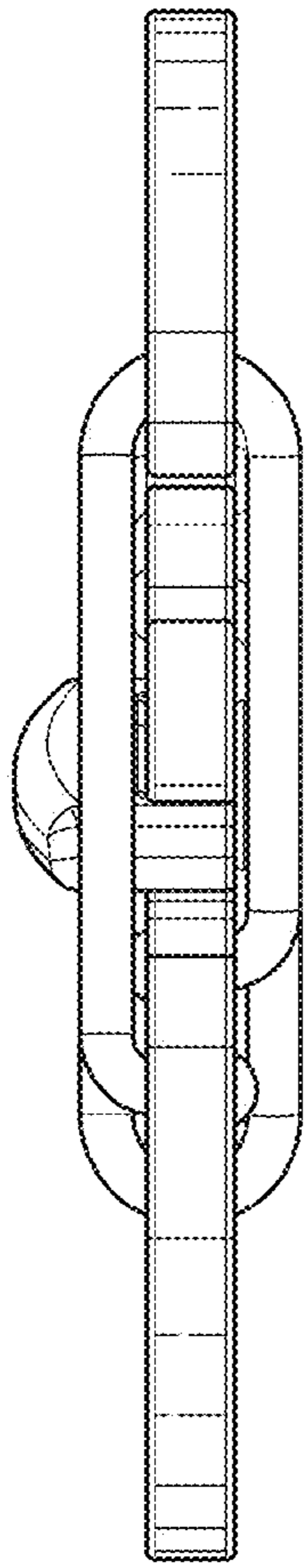


FIG. 5

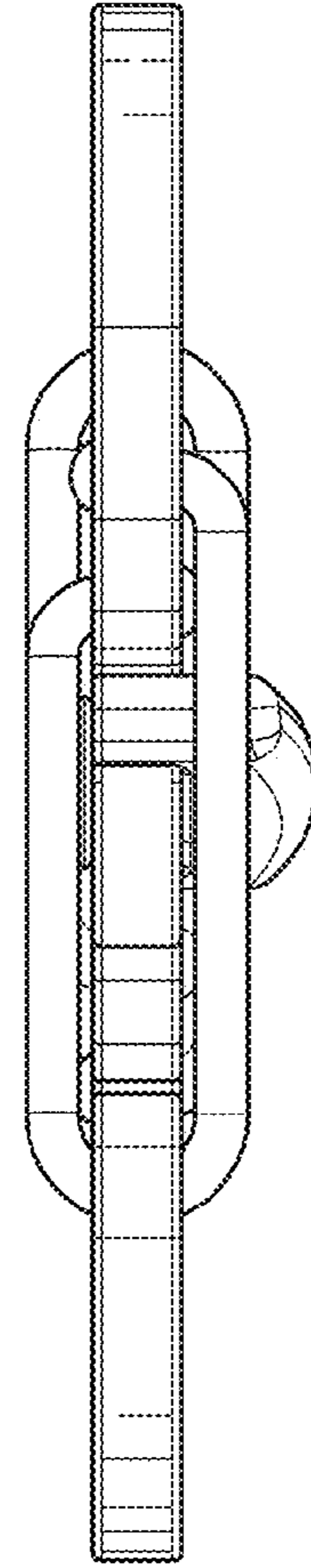


FIG. 6

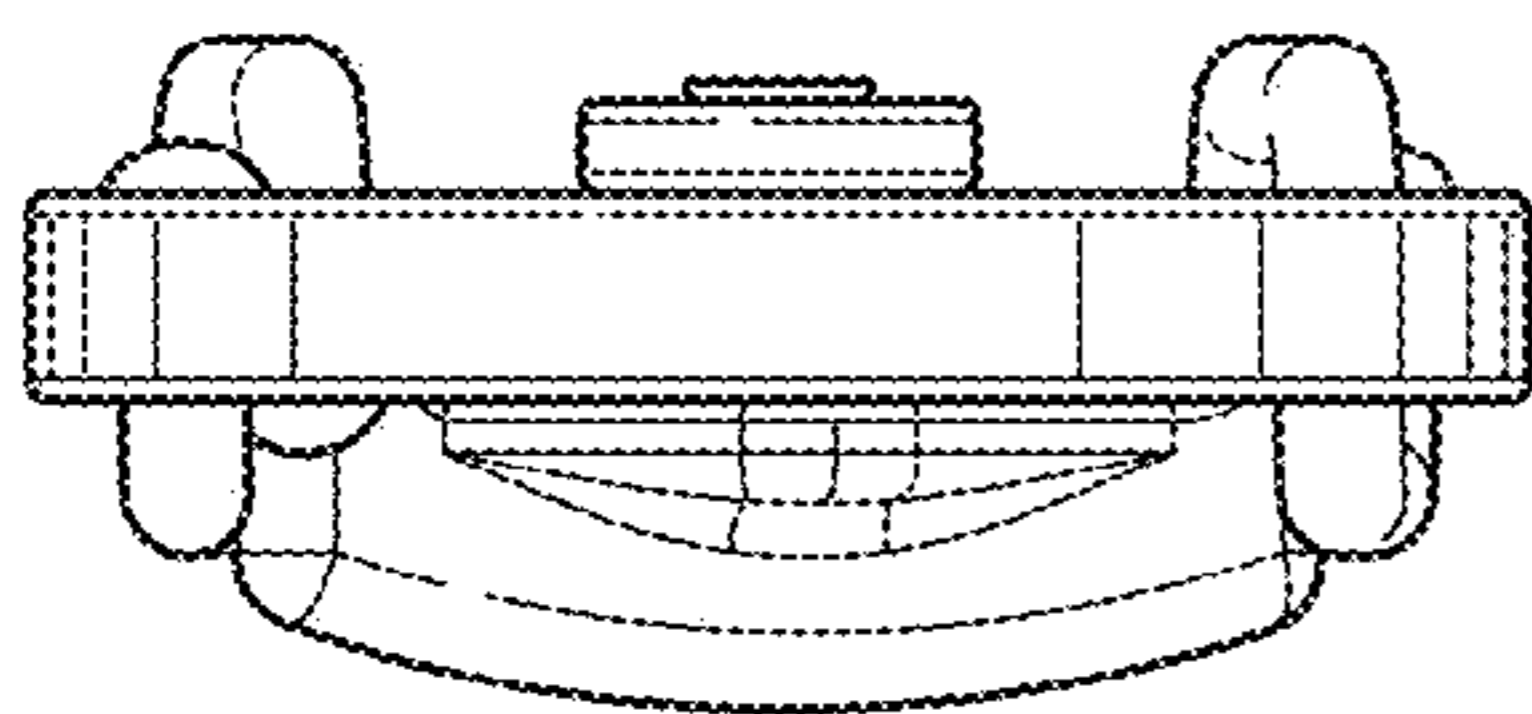


FIG. 7

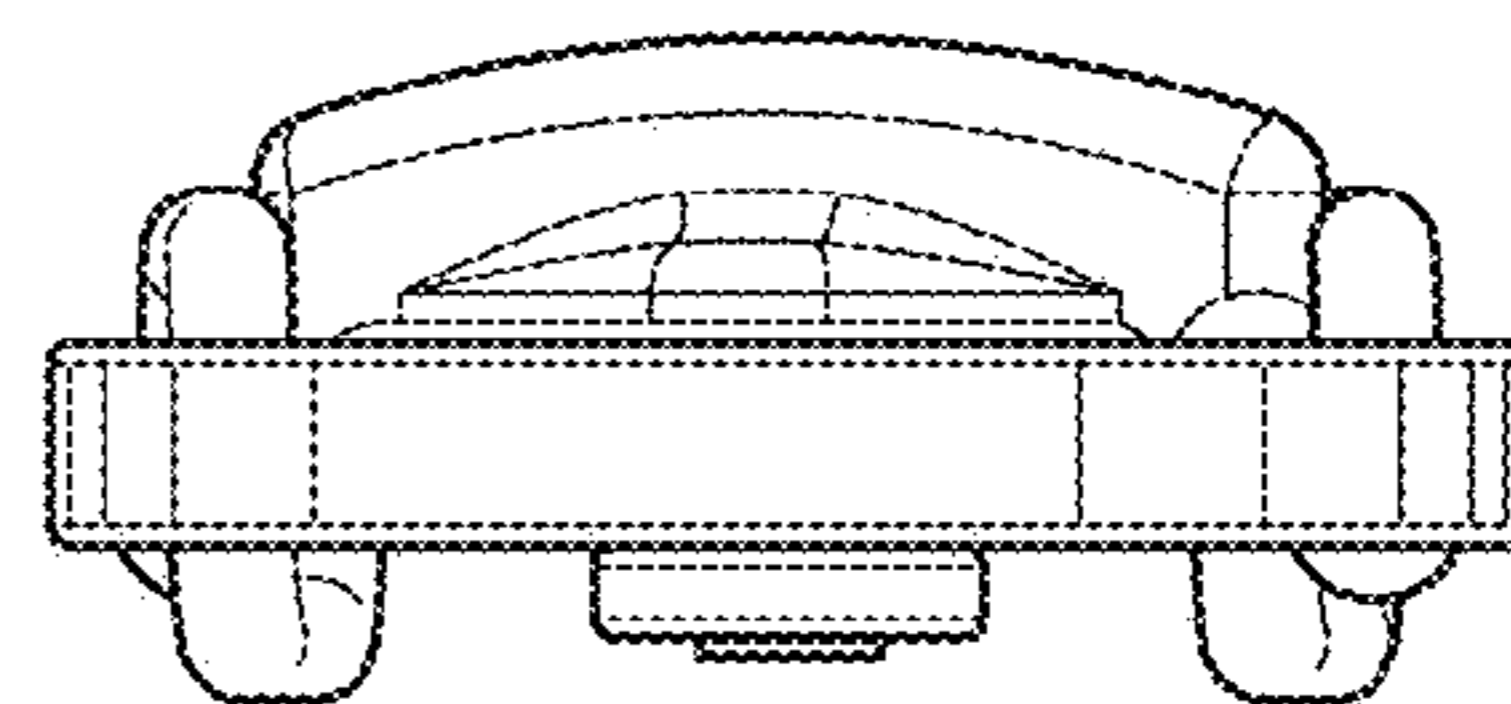


FIG. 8