

US00D698624S

(12) **United States Design Patent**
Chou

(10) **Patent No.:** **US D698,624 S**

(45) **Date of Patent:** **** Feb. 4, 2014**

(54) **BLIND CORD REEL BUSHING**

(76) Inventor: **Tser Wen Chou**, Taipei (TW)

(**) Term: **14 Years**

(21) Appl. No.: **29/398,329**

(22) Filed: **Jul. 29, 2011**

(51) **LOC (10) Cl.** **08-05**

(52) **U.S. Cl.**
USPC **D8/354**

(58) **Field of Classification Search**
USPC D8/354, 349, 356, 358, 360, 361.1, 363,
D8/373, 375, 383, 394; D13/118;
160/293.1, 321, 23.1, 405; 242/578.1,
242/376; 408/72 B; 174/83; 49/182, 260;
446/465

See application file for complete search history.

(56) **References Cited**

U.S. PATENT DOCUMENTS

2,713,525	A *	7/1955	Hinman	384/296
3,397,280	A *	8/1968	Klumpp, Jr.	174/153 G
3,643,290	A *	2/1972	Milne	16/2.1
4,267,875	A *	5/1981	Koks	160/176.1 V
4,377,194	A *	3/1983	Tsuhako	160/168.1 R
4,386,644	A *	6/1983	Debs	160/174 V
4,424,851	A *	1/1984	Kohayakawa	160/298
4,428,546	A *	1/1984	Weideman	242/578.1
4,726,538	A *	2/1988	Kovacik et al.	242/376
4,752,652	A *	6/1988	Danti et al.	174/83
4,779,662	A *	10/1988	Wilk	160/321
5,103,528	A *	4/1992	Olson et al.	16/2.2
5,170,938	A *	12/1992	Dewing	239/52
5,487,692	A *	1/1996	Mowrer et al.	446/465
5,494,446	A *	2/1996	DeLucia et al.	439/4
D411,508	S *	6/1999	Spillyards	D13/118

6,086,327	A *	7/2000	Mack et al.	415/160
6,089,484	A *	7/2000	Zwayer et al.	242/321
D436,021	S *	1/2001	Arnold	D8/358
6,241,181	B1 *	6/2001	Campbell	242/578
D458,285	S *	6/2002	Votruba et al.	D15/143
6,425,432	B1 *	7/2002	Gross et al.	160/176.1 R
D517,900	S *	3/2006	Goldenberg et al.	D8/354
D601,930	S *	10/2009	Chen	D12/114
D657,232	S *	4/2012	Stahl et al.	D8/354
D677,730	S *	3/2013	Yu Chen	D19/69
8,505,609	B2 *	8/2013	Huang	160/293.1
2003/0075281	A1 *	4/2003	Goldenberg et al.	160/23.1
2004/0216849	A1 *	11/2004	Goldenberg et al.	160/23.1
2005/0205224	A1 *	9/2005	Dalle Nogare et al.	160/321
2007/0119552	A1 *	5/2007	Wang et al.	160/321
2008/0047728	A1 *	2/2008	Tollefson	174/50
2008/0251624	A1 *	10/2008	Fraczek et al.	242/389
2012/0175449	A1 *	7/2012	Gouda	242/376
2012/0255686	A1 *	10/2012	Huang	160/293.1

* cited by examiner

Primary Examiner — Mark Goodwin

(74) *Attorney, Agent, or Firm* — Ming Chow; Sinorica, LLC

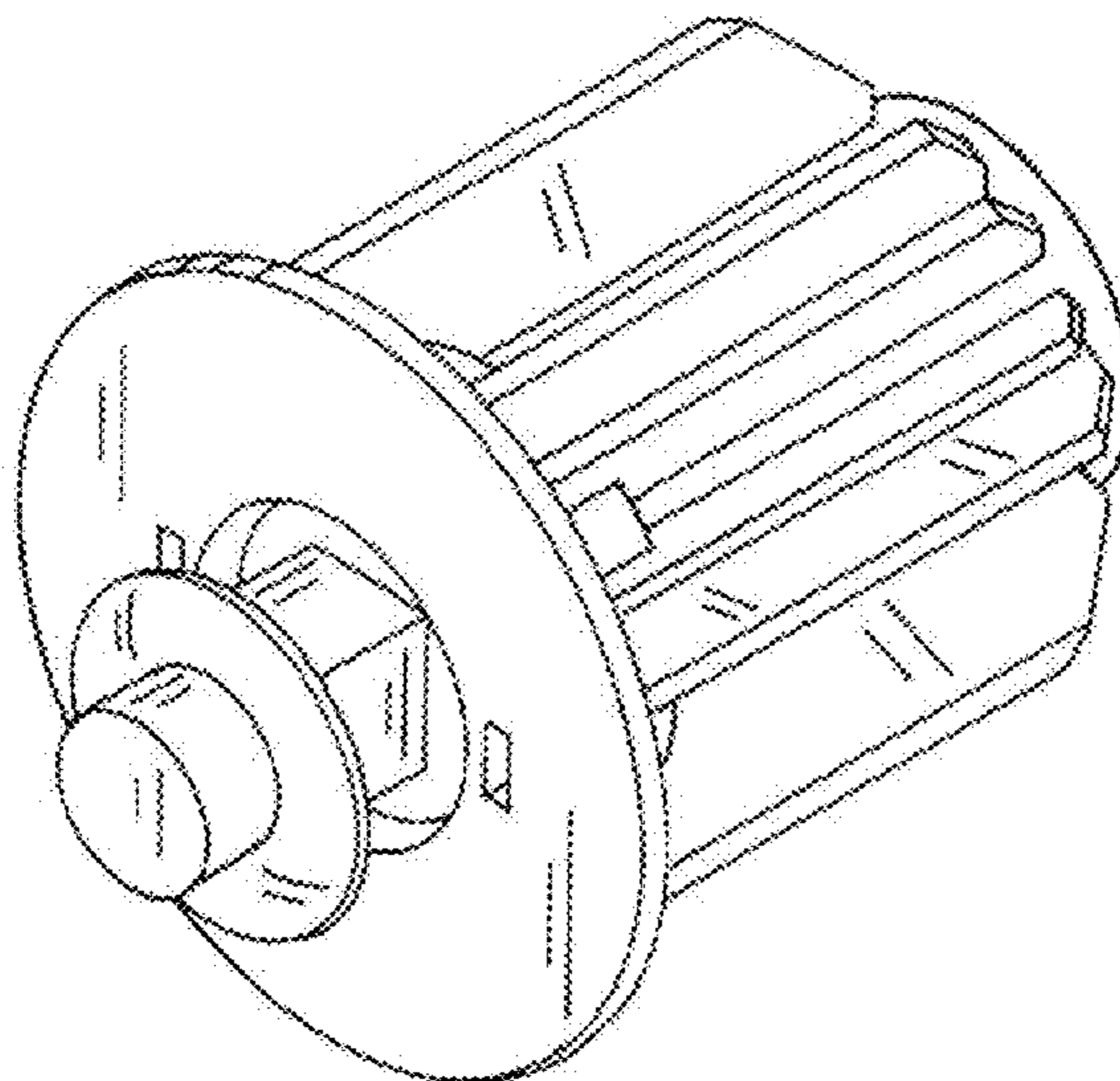
(57) **CLAIM**

The ornamental design for a blind cord reel bushing, as shown and described.

DESCRIPTION

FIG. 1 is a perspective view of a blind cord reel bushing showing my new design;
FIG. 2 is a front view thereof;
FIG. 3 is a rear view thereof;
FIG. 4 is a left side view thereof;
FIG. 5 is a right side view thereof;
FIG. 6 is a bottom view thereof; and,
FIG. 7 is a top view thereof.

1 Claim, 4 Drawing Sheets



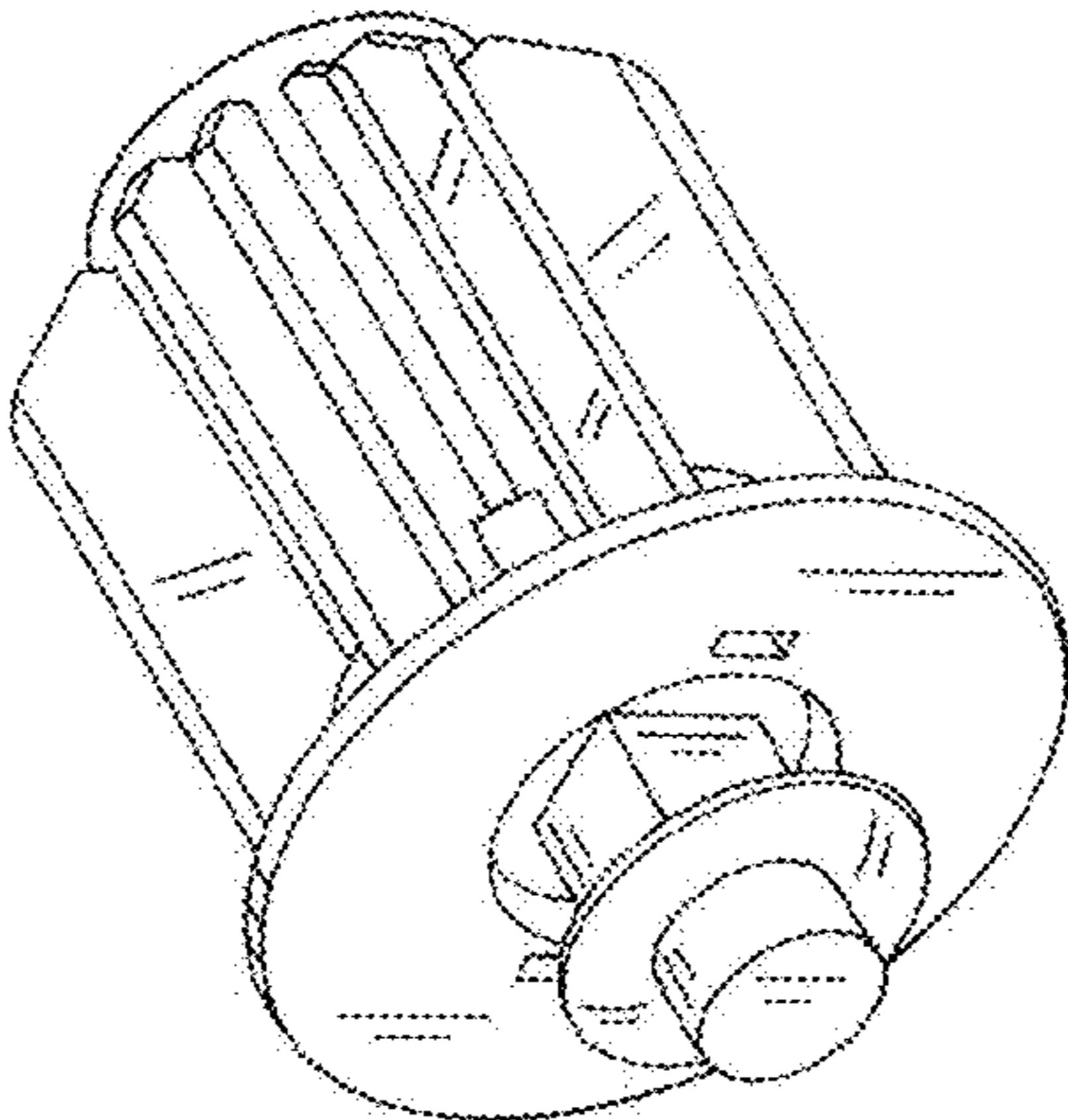


FIG 1

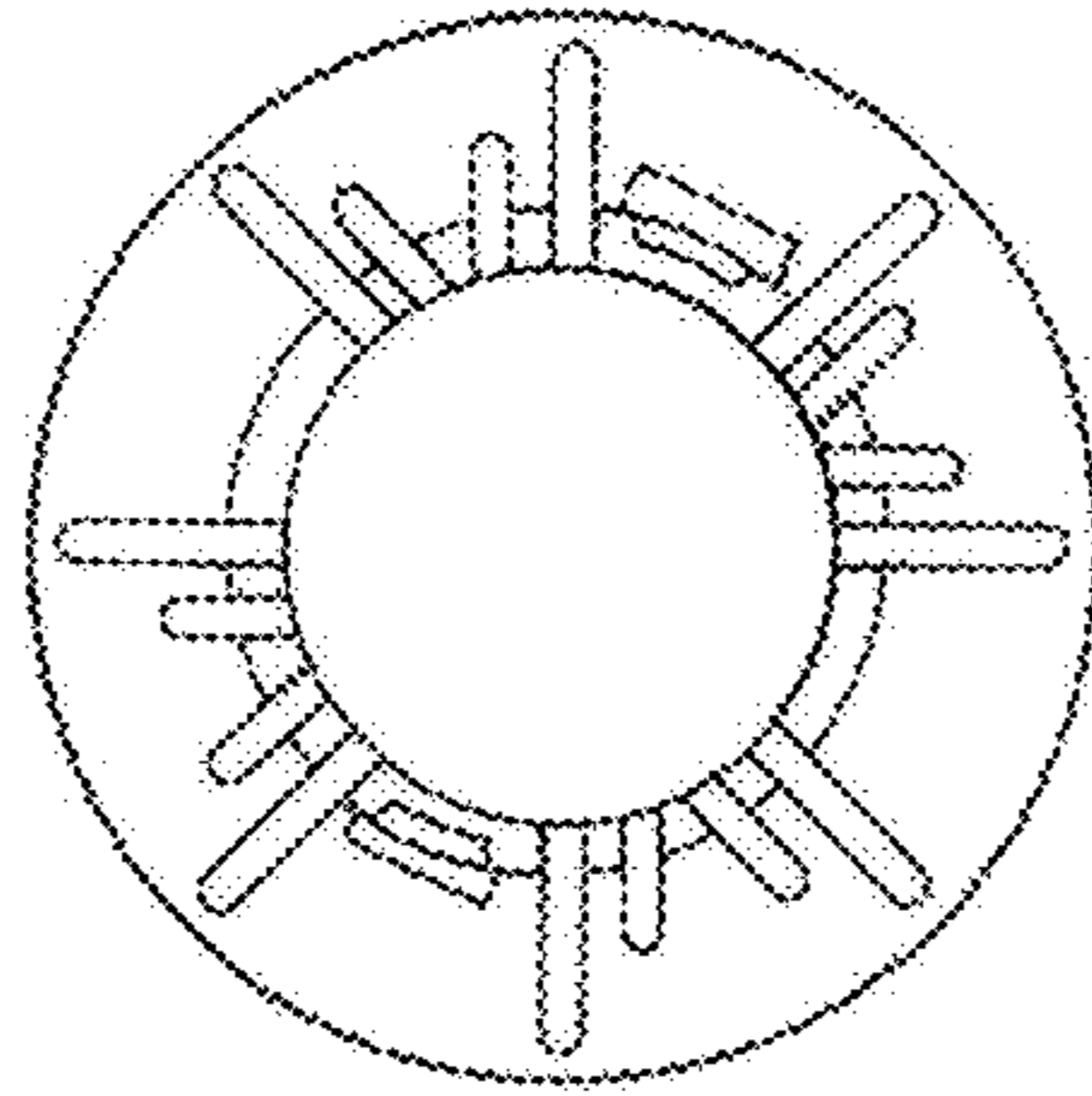


FIG 3

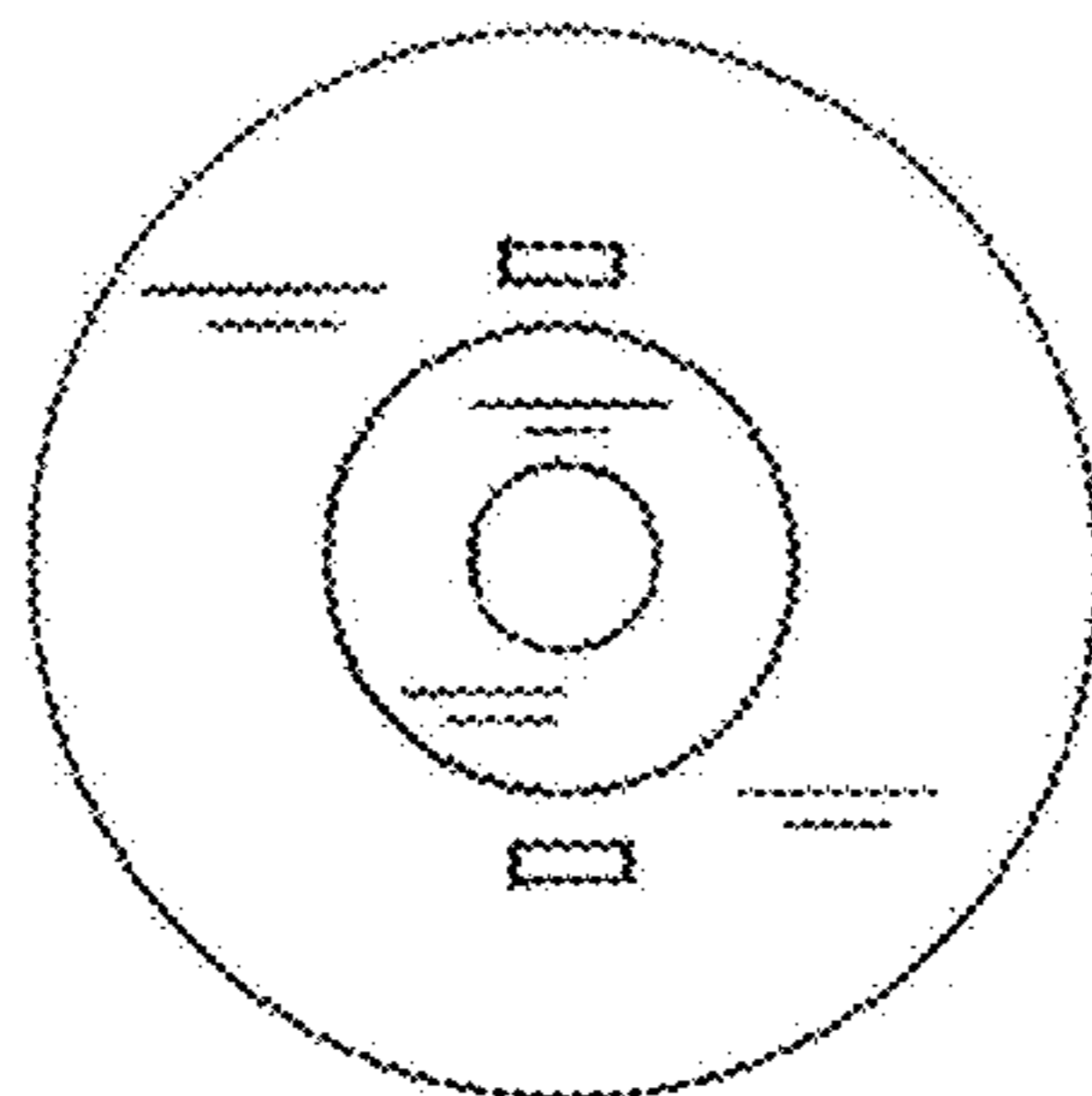


FIG 2

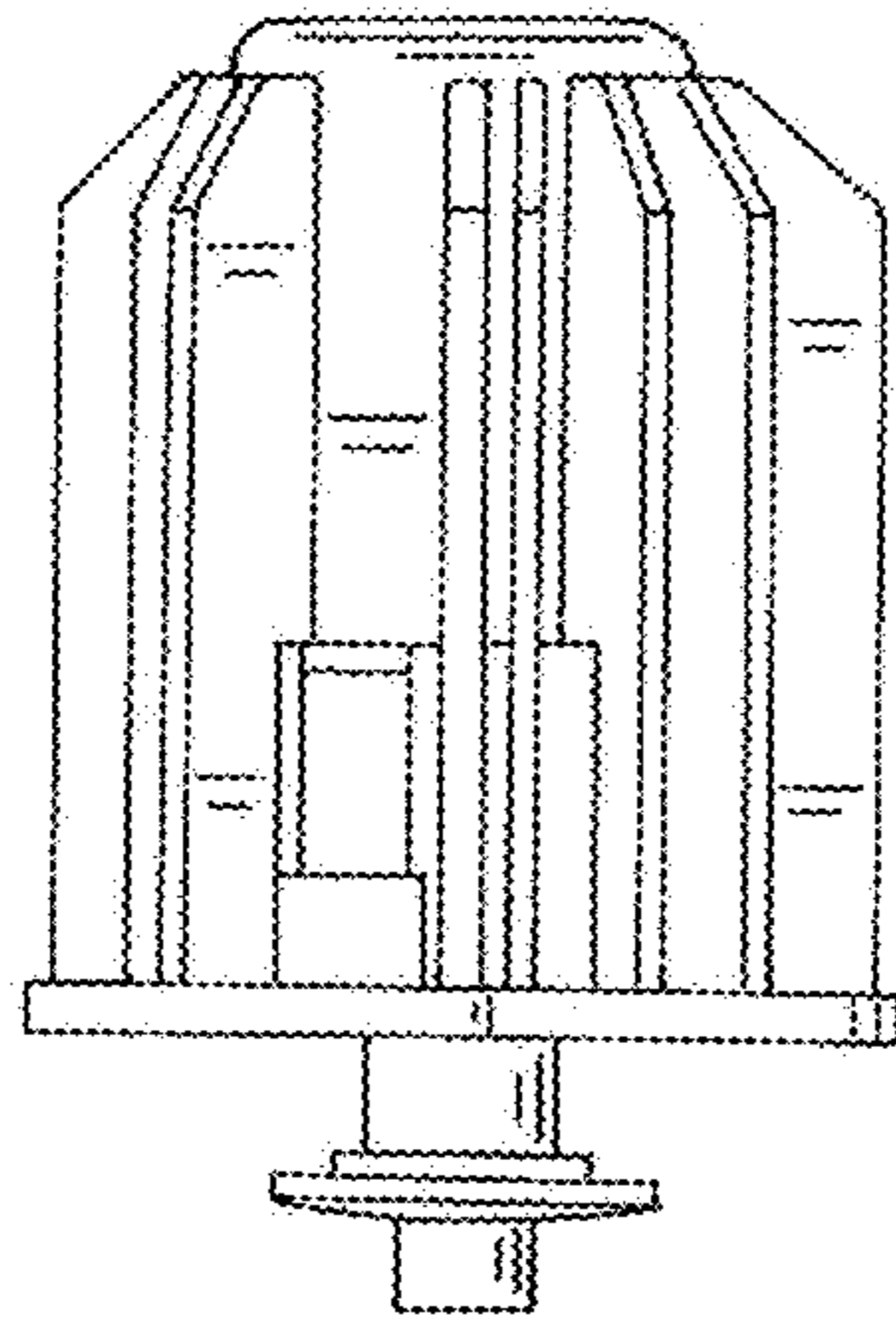


FIG 5

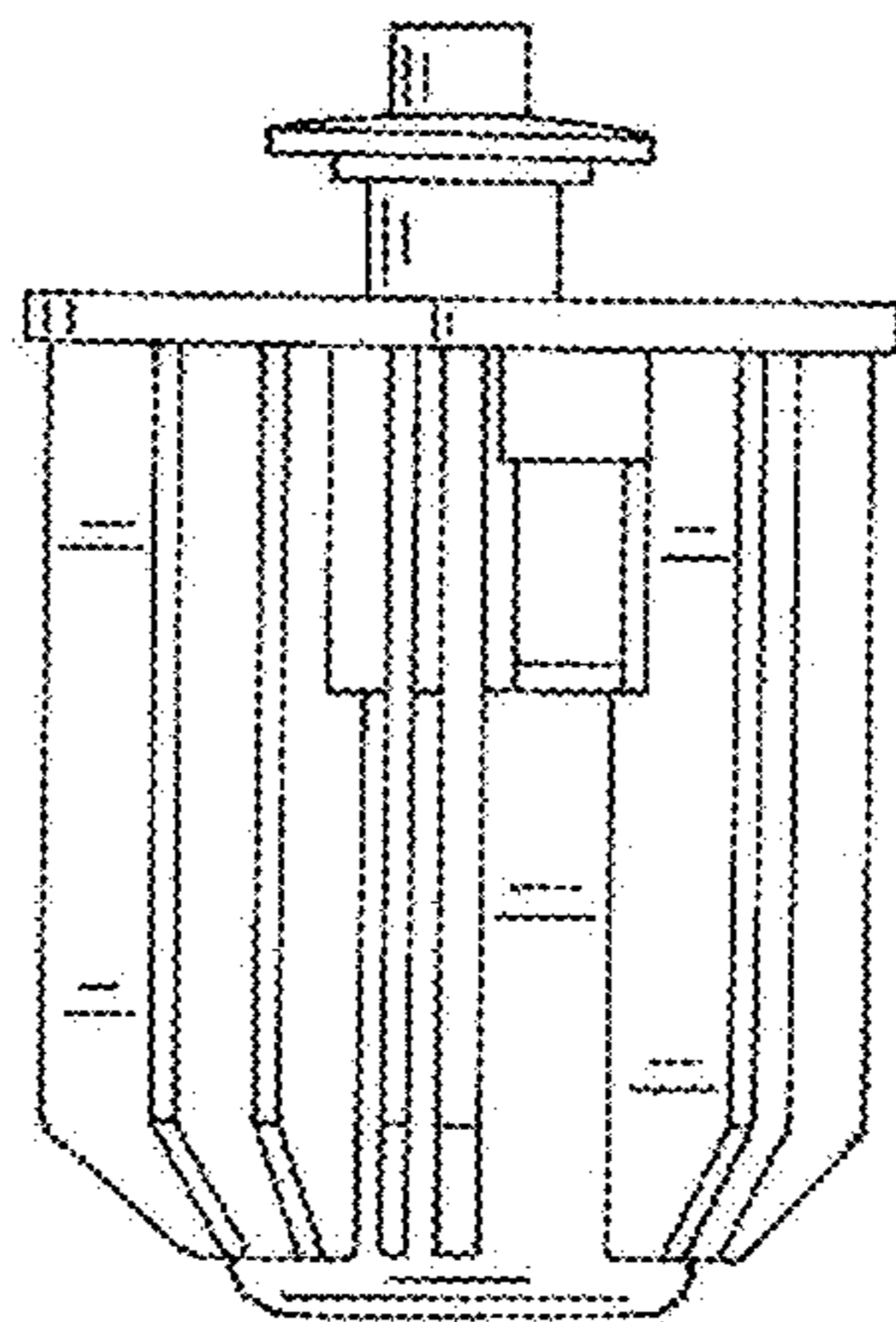


FIG 4

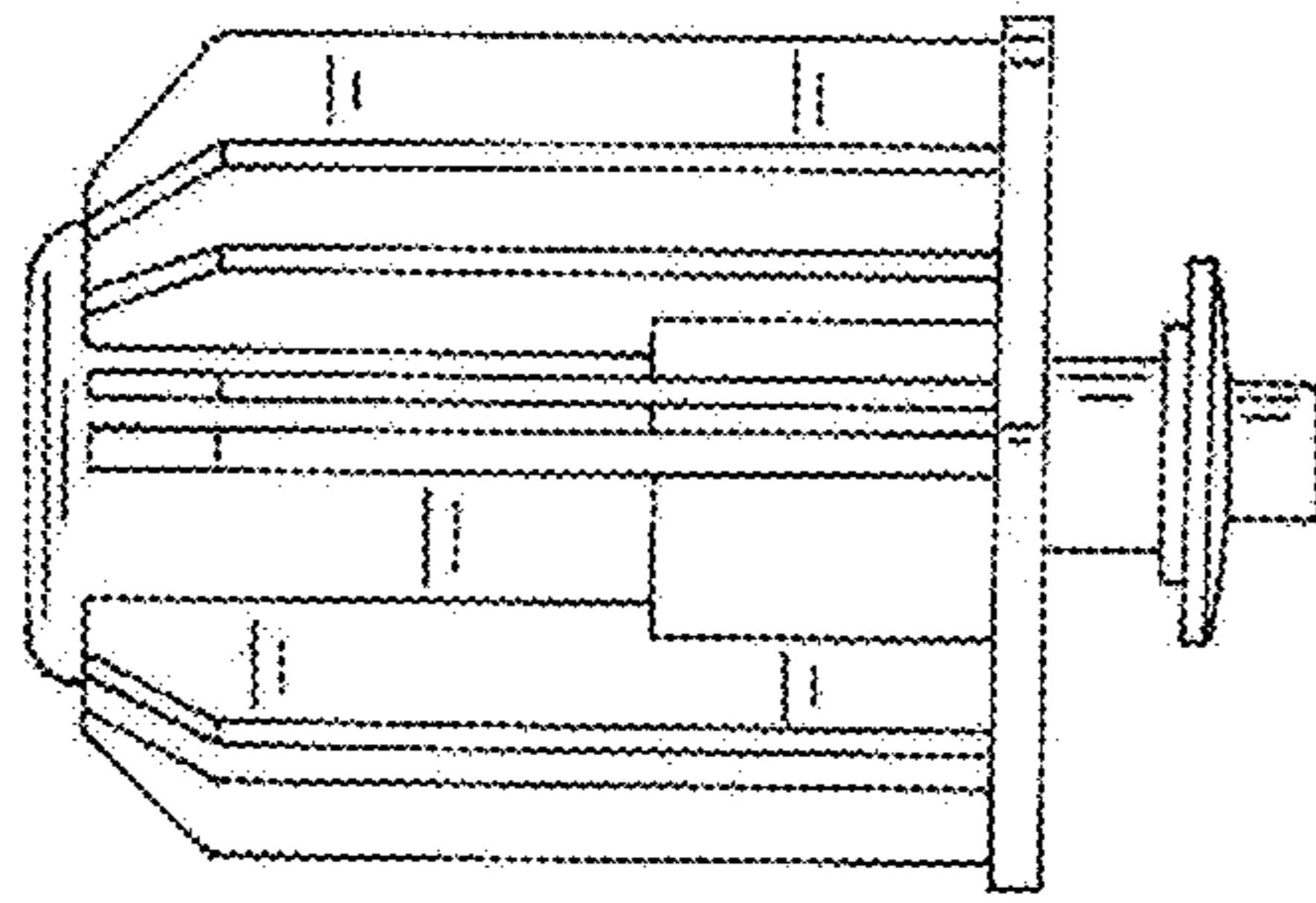


FIG 7

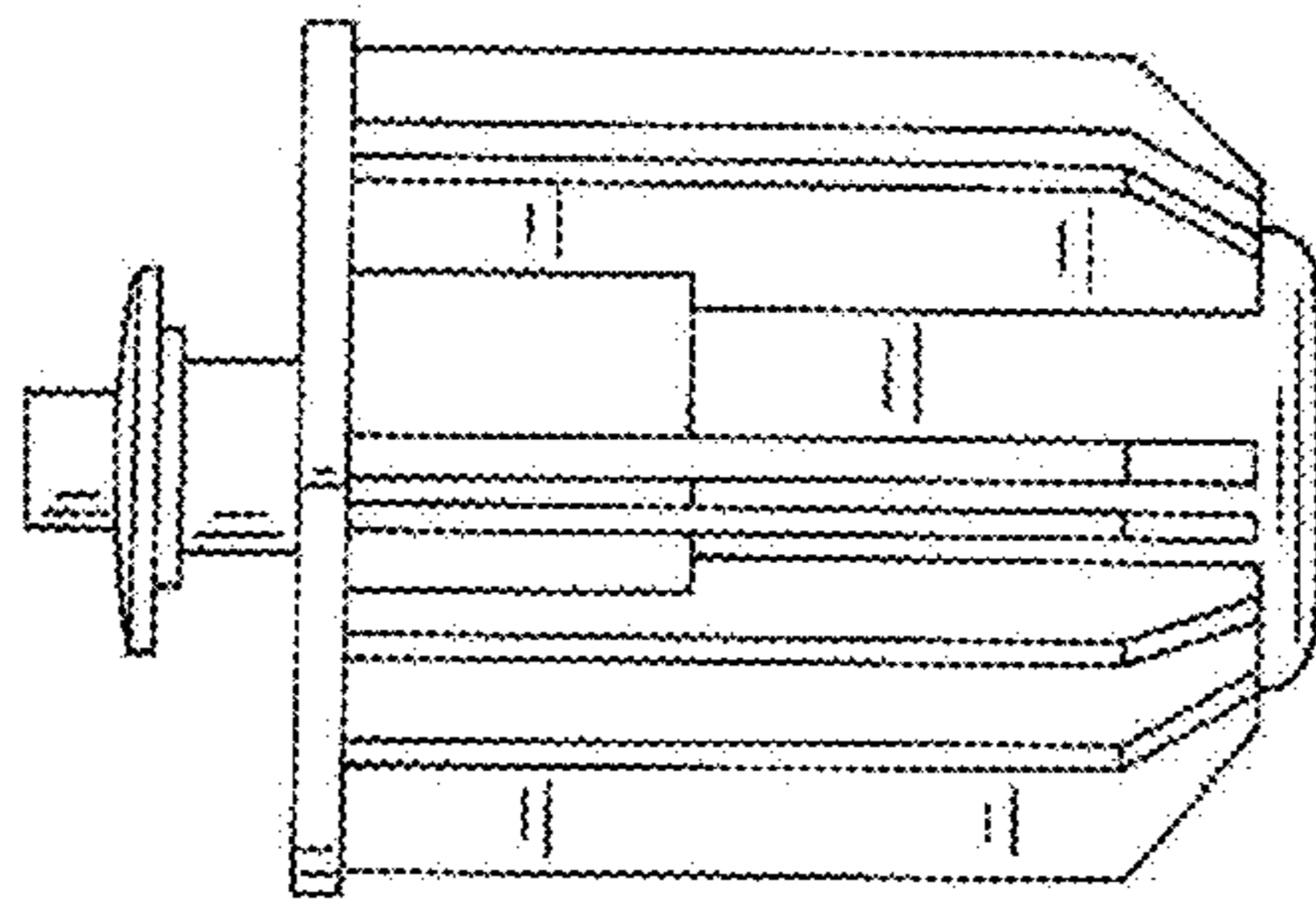


FIG 6