

US00D698623S

(12) **United States Design Patent**
Bird

(10) **Patent No.:** **US D698,623 S**

(45) **Date of Patent:** **** Feb. 4, 2014**

(54) **BRACKET**

(75) Inventor: **Gregory M. Bird**, Solon, OH (US)

(73) Assignee: **Fasteners For Retail, Inc.**, Twinsburg, OH (US)

(**) Term: **14 Years**

(21) Appl. No.: **29/396,753**

(22) Filed: **Jul. 6, 2011**

(51) **LOC (10) Cl.** **08-05**

(52) **U.S. Cl.**
USPC **D8/354**

(58) **Field of Classification Search**
USPC D8/349, 354, 380, 382, 366, 363, 371, D8/373, 376; 248/300, 237, 309.1, 200, 248/205.1, 207, 214, 235, 247, 351, 248/220.41; 52/188, 182, 191, 702, 712, 52/745.06, 189, 506.5, 586.1; 29/428, 29/525.01, 464; 249/14, 205, 208; 403/167, 169; 211/86.01, 90.01, 105.1, 211/193, 134; 108/152; 40/642.02; D12/400, 223, 159; D15/21, 28
See application file for complete search history.

(56) **References Cited**

U.S. PATENT DOCUMENTS

852,975	A	5/1907	Morgan	
1,037,122	A	8/1912	Buffinger et al.	
D47,283	S	5/1915	Eagan	
D240,013	S	* 5/1976	McKey D8/354
D251,343	S	3/1979	Hansen	
4,854,534	A	8/1989	Porter	
D310,165	S	8/1990	Cobb	
D384,879	S	10/1997	Carlson	
5,692,717	A	12/1997	Glaeser	

5,931,429	A	8/1999	Hellwig et al.	
D424,121	S	5/2000	Kump	
D425,134	S	5/2000	Kump	
6,082,687	A	7/2000	Kump et al.	
6,289,618	B1	9/2001	Kump et al.	
6,341,755	B1	1/2002	Kump	
6,354,546	B1	3/2002	Mueller	
D474,395	S	5/2003	Mueller	
D496,693	S	* 9/2004	Mueller D20/43
7,114,277	B2	* 10/2006	Valiulis et al. 40/648
D592,669	S	* 5/2009	Malisse et al. D14/451
D609,554	S	* 2/2010	Koizumi D8/354
7,726,057	B2	* 6/2010	Brinkman et al. 40/661.03
7,740,144	B2	* 6/2010	Kosir 211/119.003

OTHER PUBLICATIONS

FFR-DSI Yellow Pages 2011 Product Catalog, cover page, pp. 104 and 114-116.

* cited by examiner

Primary Examiner — Mark Goodwin

(74) *Attorney, Agent, or Firm* — Fay Sharpe LLP

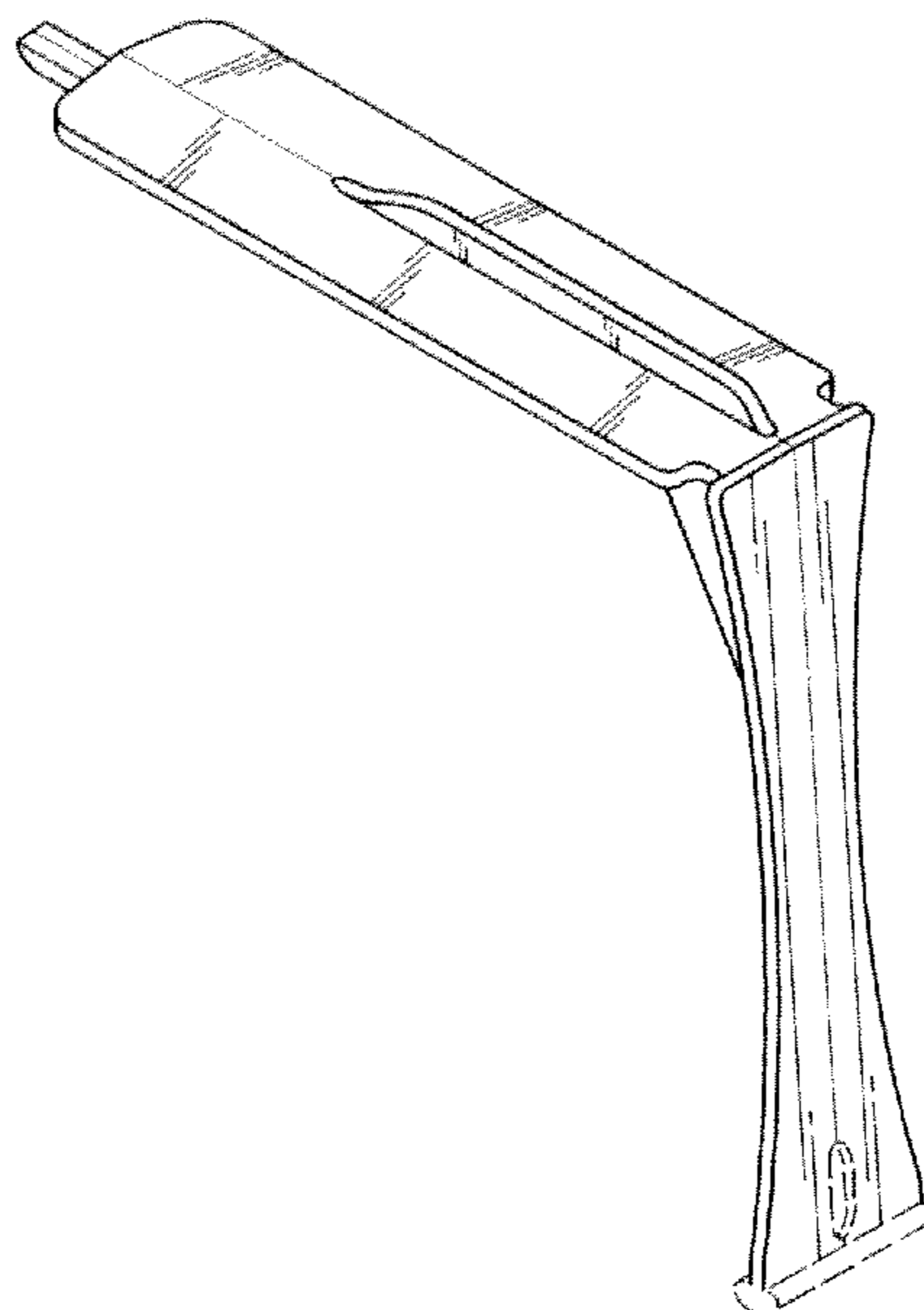
(57) **CLAIM**

The ornamental design for a bracket, as shown and described.

DESCRIPTION

FIG. 1 is a perspective view of a bracket illustrating a first embodiment of my new design;
FIG. 2 is a left side elevational view thereof, with a right side elevational view being a mirror image thereof;
FIG. 3 is a front elevational view thereof;
FIG. 4 is a rear elevational view thereof;
FIG. 5 is a top plan view thereof; and,
FIG. 6 is a bottom plan view thereof.
The parts illustrated in dashed lines in FIGS. 1-6 form no part of the claimed design.

1 Claim, 2 Drawing Sheets



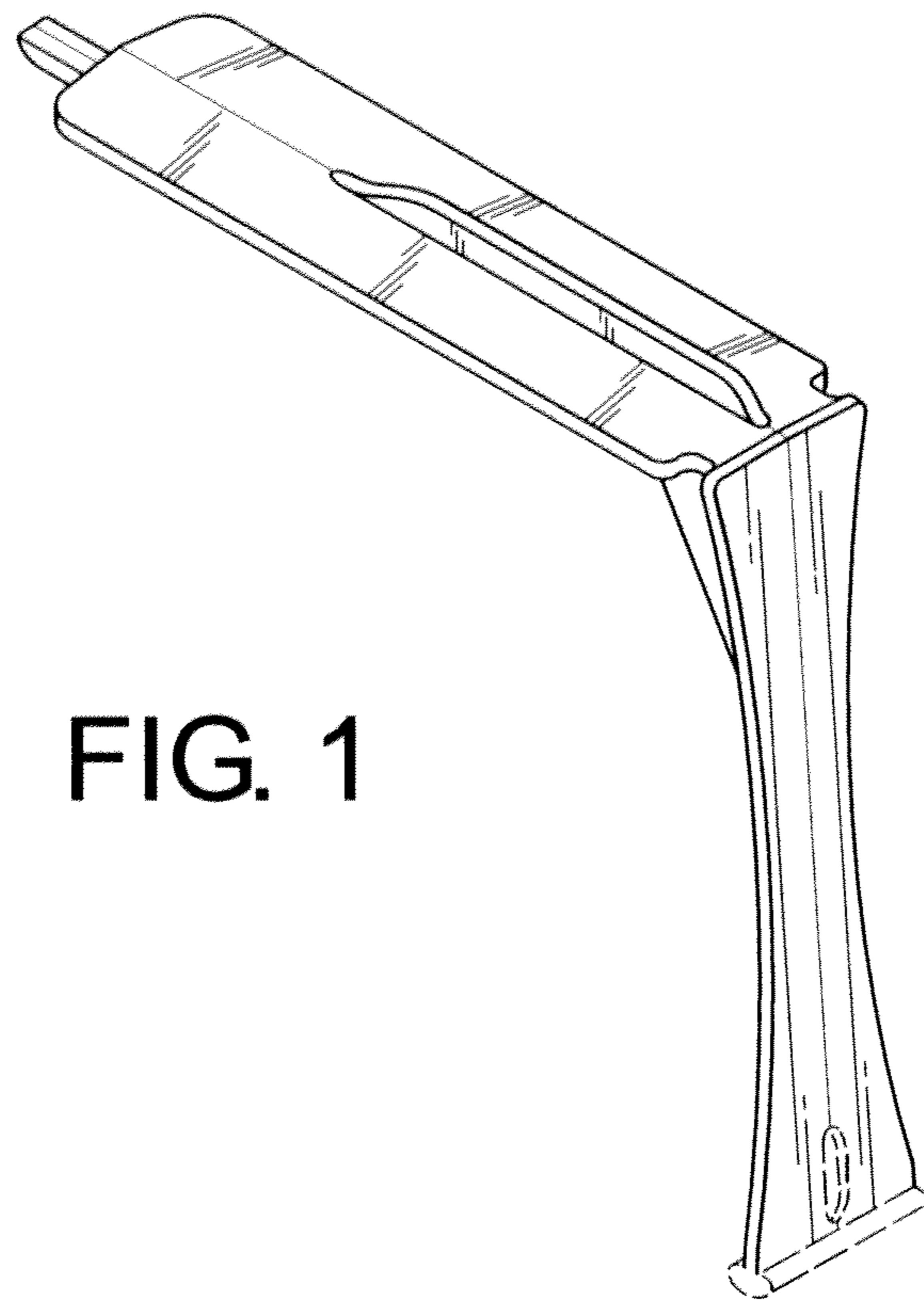


FIG. 1

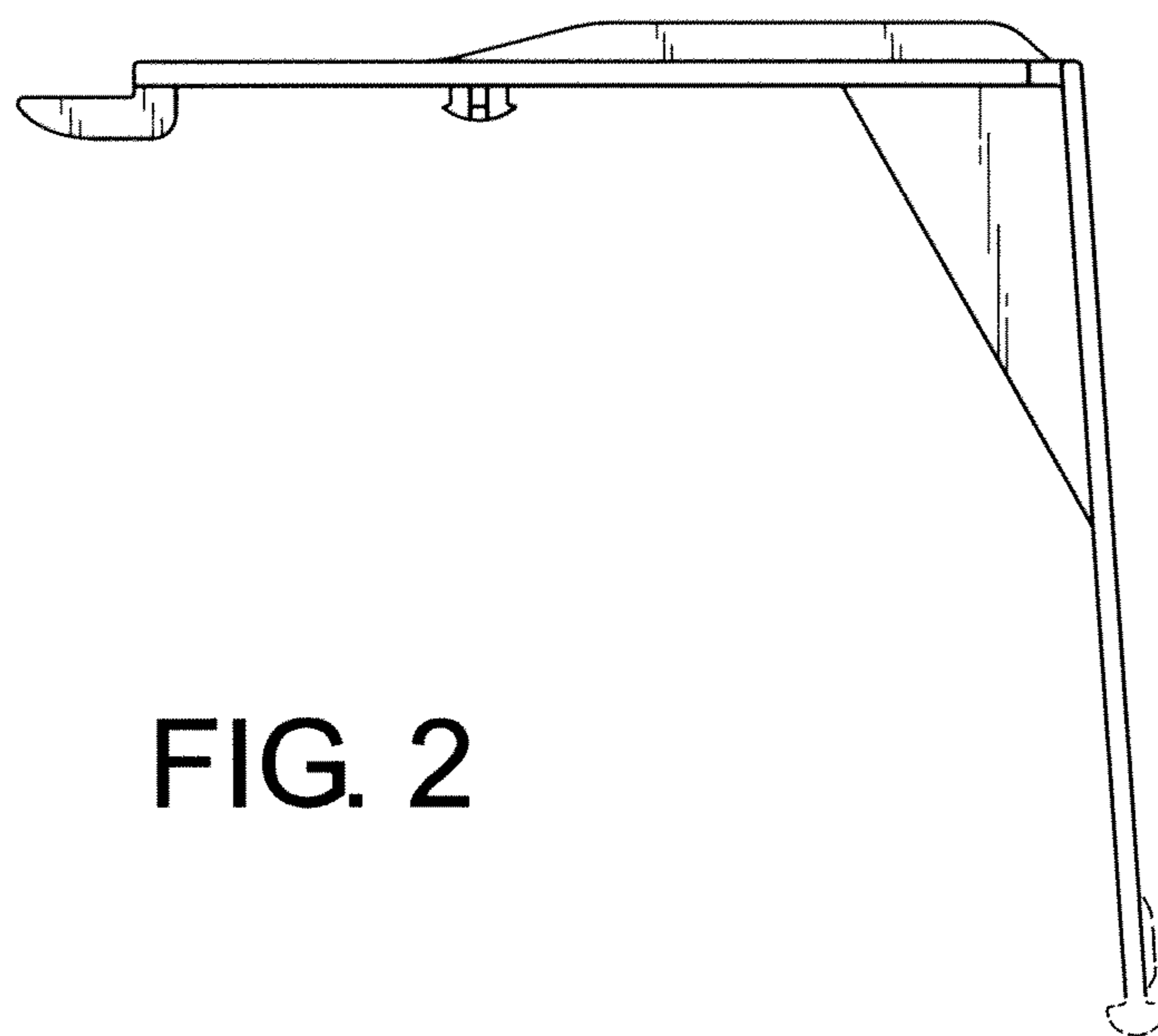


FIG. 2

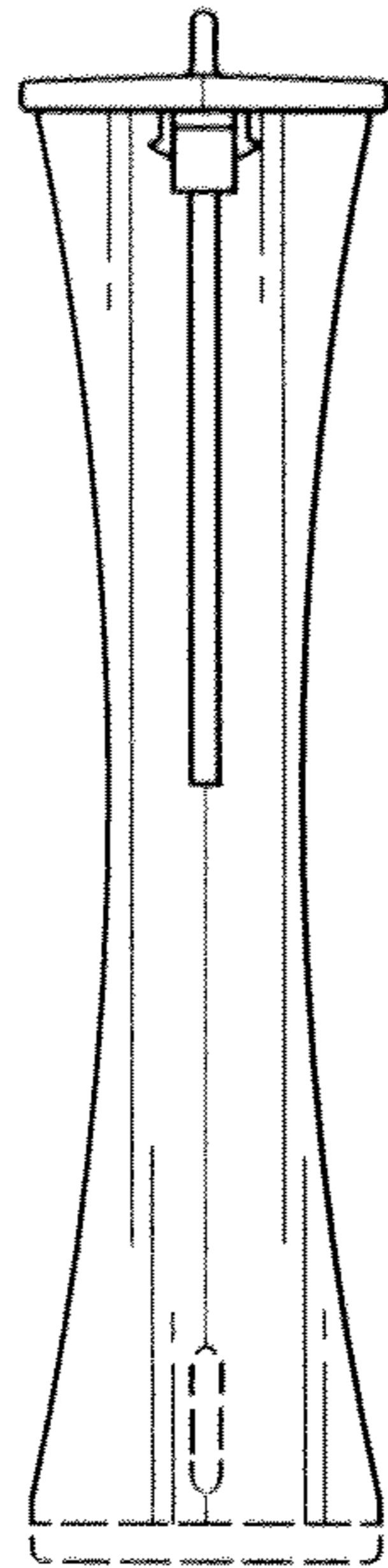


FIG. 4

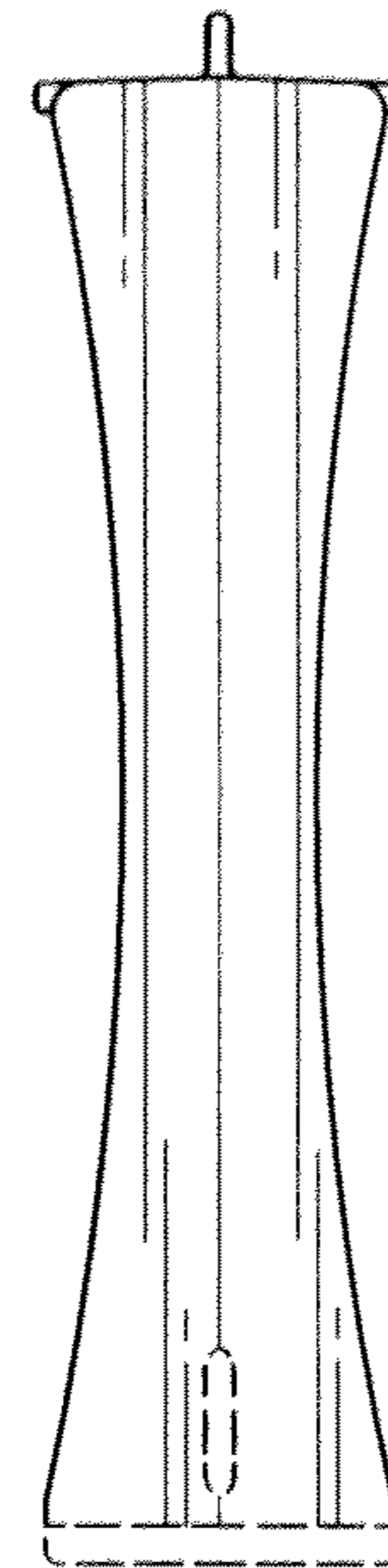


FIG. 3

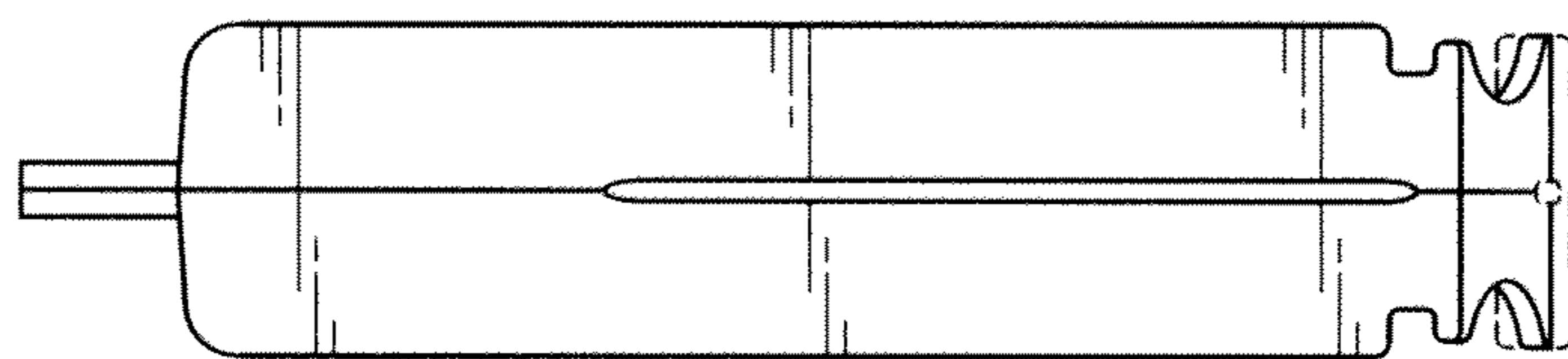


FIG. 5

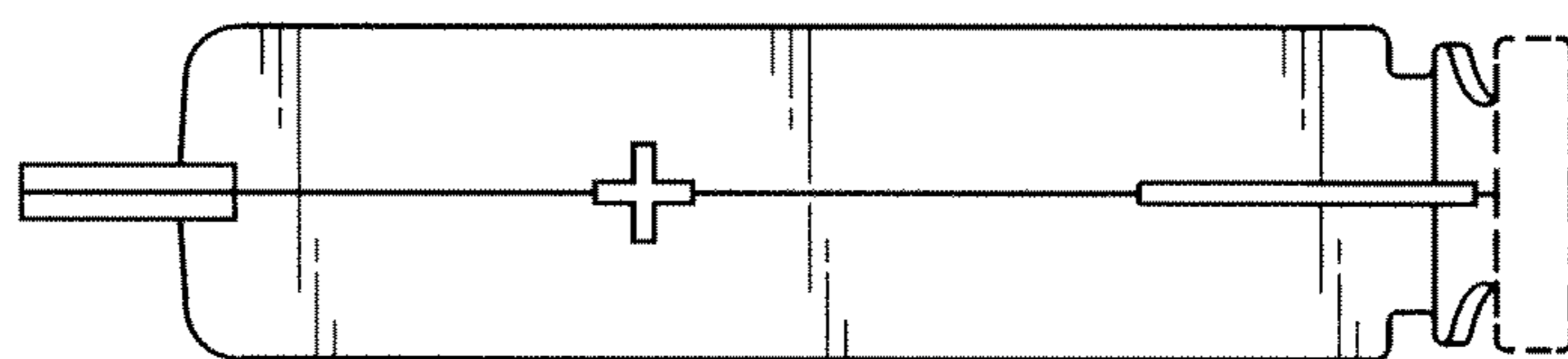


FIG. 6