



US00D698616S

(12) **United States Design Patent**  
**Van Wijk et al.**

(10) **Patent No.:** **US D698,616 S**  
(45) **Date of Patent:** **\*\* Feb. 4, 2014**

(54) **DISPENSING DEVICE**

(75) Inventors: **Adrian Albert Van Wijk**, Vancouver (CA); **Samuel Charles Richards**, North Vancouver (CA); **James William McDonald**, North Vancouver (CA)

(73) Assignee: **JDI Design, Inc.**, Vancouver (CA)

(\*\*) Term: **14 Years**

(21) Appl. No.: **29/401,620**

(22) Filed: **Sep. 13, 2011**

(30) **Foreign Application Priority Data**

Mar. 14, 2011 (CA) ..... 139681

(51) **LOC (10) Cl.** ..... **07-04**

(52) **U.S. Cl.**  
USPC ..... **D7/672**

(58) **Field of Classification Search**

USPC ..... D7/667, 300, 300.1, 301, 302, 310, 317, D7/318, 320-322, 368, 369, 380, 589-593, D7/598, 600, 622, 668, 669, 678, 692, D7/705; D9/544-549; 209/251, 282, 323, 209/347, 352, 355, 357, 365.1, 374, 381; 222/287, 309, 323, 387, 391; 241/169, 241/169.1, 273.1-273.4; 425/87, 191, 425/376.1

See application file for complete search history.

(56) **References Cited**

**U.S. PATENT DOCUMENTS**

958,994 A 5/1910 Davis  
1,188,840 A \* 6/1916 Schneider ..... 209/282  
1,996,628 A \* 4/1935 Schneider ..... 425/376.1  
2,376,052 A \* 5/1945 Hacmac ..... 222/153.04  
2,695,708 A \* 11/1954 Lucian ..... 209/357

3,161,325 A 12/1964 Hinkel et al.

(Continued)

**OTHER PUBLICATIONS**

Norpro 4-Cup Batter Dispenser: Amazon.com: Kitchen & Dining, [online], earliest review Mar. 3, 2012, retrieved on Oct. 31, 2012. Retrieved from, <URL: <http://www.amazon.com/Norpro-1013-4-Cup-Batter-Dispenser/dp/B005XPES9Q>>, 1 page.\*

(Continued)

*Primary Examiner* — Ian Simmons

*Assistant Examiner* — Shannon Morgan

(74) *Attorney, Agent, or Firm* — Holland & Hart; Bryan G. Pratt

(57) **CLAIM**

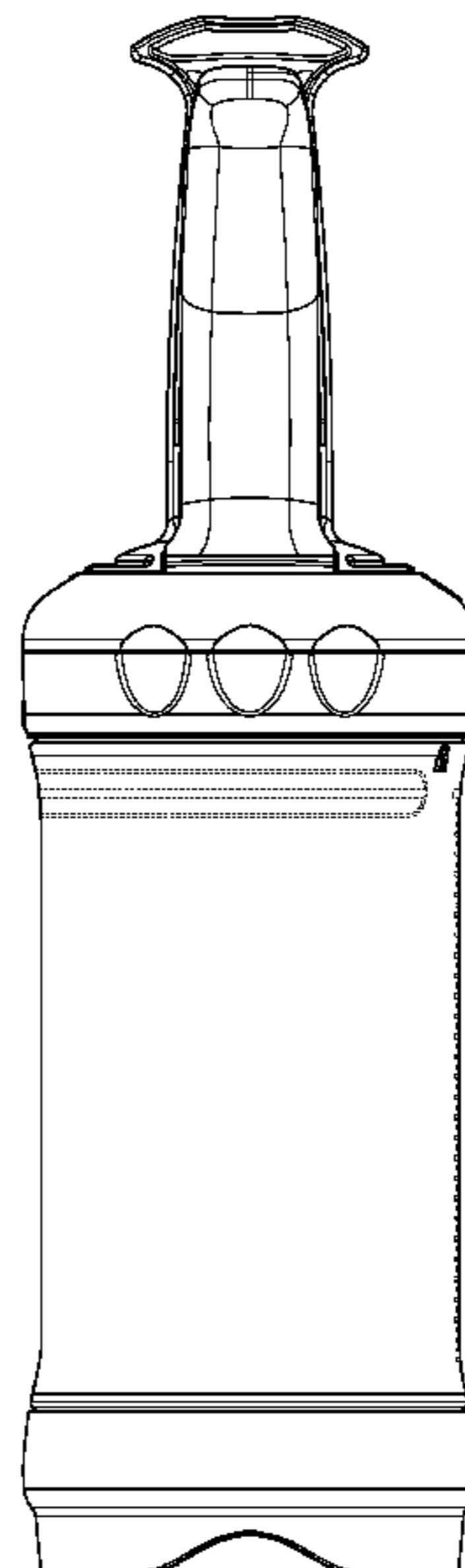
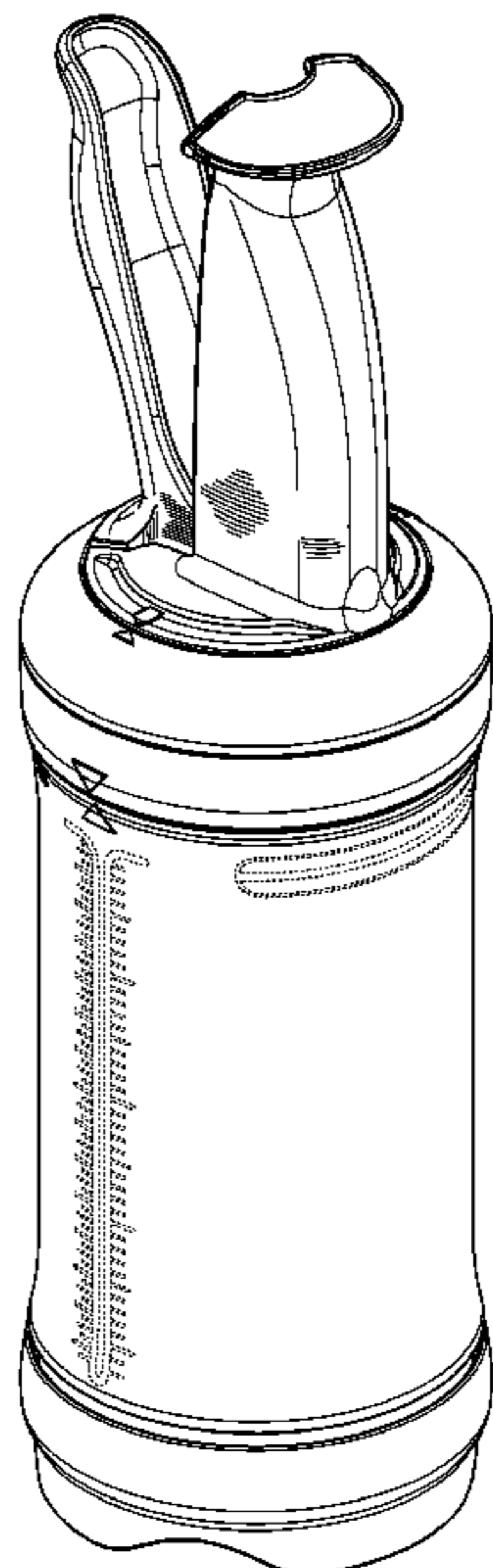
The ornamental design for a dispensing device, as shown and described.

**DESCRIPTION**

FIG. 1 is a left side perspective view of the dispensing device; FIG. 2 is a right side view of the dispensing device; FIG. 3 is a front side view of the dispensing device; FIG. 4 is a left side view of the dispensing device; FIG. 5 is a rear view of the dispensing device; FIG. 6 is an enlarged top view of the dispensing device; FIG. 7 is an enlarged bottom view of the dispensing device; FIG. 8 is an enlarged bottom view of a first variant of FIG. 7 of the dispensing device; and, FIG. 9 is an enlarged bottom view of a second variant of FIG. 7 of the dispensing device.

The broken lines shown throughout the views of the dispensing device are for environmental purposes only and form no part of the claimed design.

**1 Claim, 9 Drawing Sheets**



(56)

References Cited

U.S. PATENT DOCUMENTS

4,318,499	A	3/1982	Hamilton	
4,323,176	A	4/1982	Sartain	
4,966,537	A	10/1990	Bowles et al.	
5,375,740	A *	12/1994	Umetsu et al.	222/95
5,850,923	A *	12/1998	DeCoster et al.	209/417
6,026,985	A *	2/2000	Elliott, Sr.	222/1
D448,257	S *	9/2001	Stewart et al.	D7/679
D462,584	S *	9/2002	So	D7/669
6,598,764	B1 *	7/2003	Stern	222/95
6,708,853	B1 *	3/2004	Melling	222/391
7,367,519	B2 *	5/2008	de Groote et al.	241/169.1
D616,259	S *	5/2010	Harris et al.	D7/672
7,959,038	B2 *	6/2011	de Oliveira et al.	222/327
2002/0179645	A1 *	12/2002	So	222/156
2012/0217270	A1 *	8/2012	Robbins	222/287
2012/0228334	A1 *	9/2012	Van Wijk et al.	222/287

OTHER PUBLICATIONS

Restaurant Portion Control Kit, [online], retrieved on Nov. 1, 2012. Retrieved from, <URL: [http://www.cooksdirect.com/product/fmp-280-1821/squeeze-bottles](http://www.google.com/imgres?q=portion+control+kit+portion+pal&um=1&hl=en&safe=active&rls=com.microsoft:en-us:IE-SearchBox&biw=931&bih=517&tbn=isch&tbnid=A5n9wgzB2ZcqDM:&imgrefurl=http://...>, 1 page.*</p>
<p>FMP 24 oz Fifo Portion Control Bottle—CooksDirect.com, [online], reviewed on Jun. 14, 2012, retrieved on Nov. 1, 2012. Retrieved from, <URL: <a href=)>, 1 page.\*

Cuisipro Batter Dispenser; <http://www.cookware.com/Cuisipro-Batter-Dispenser-74712000-CPR1114.html> <http://cooking.cuisipro.com/en/Batter-Dispenser-plu74-712000.html>.

FIFO Bottle with Portion Control; <https://www.fifobottle.com/catalog/product.php?pid=137> <http://www.hubert.com/pres251005/Portion-Control-FIFO-Bottle.html>.

\* cited by examiner

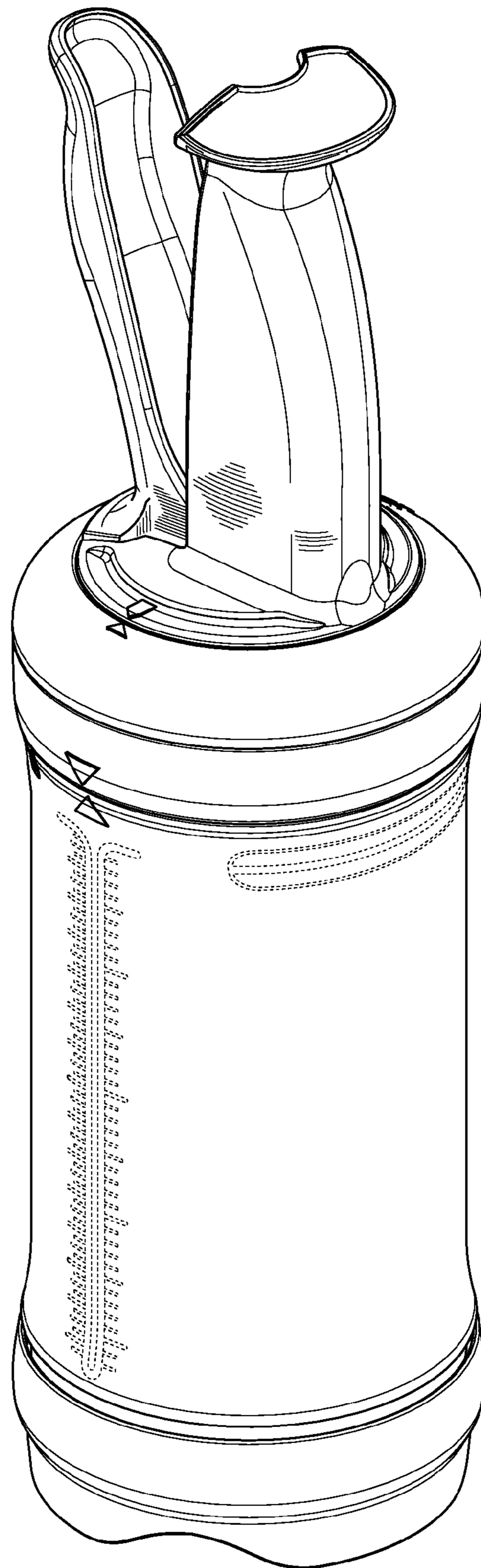


Fig. 1

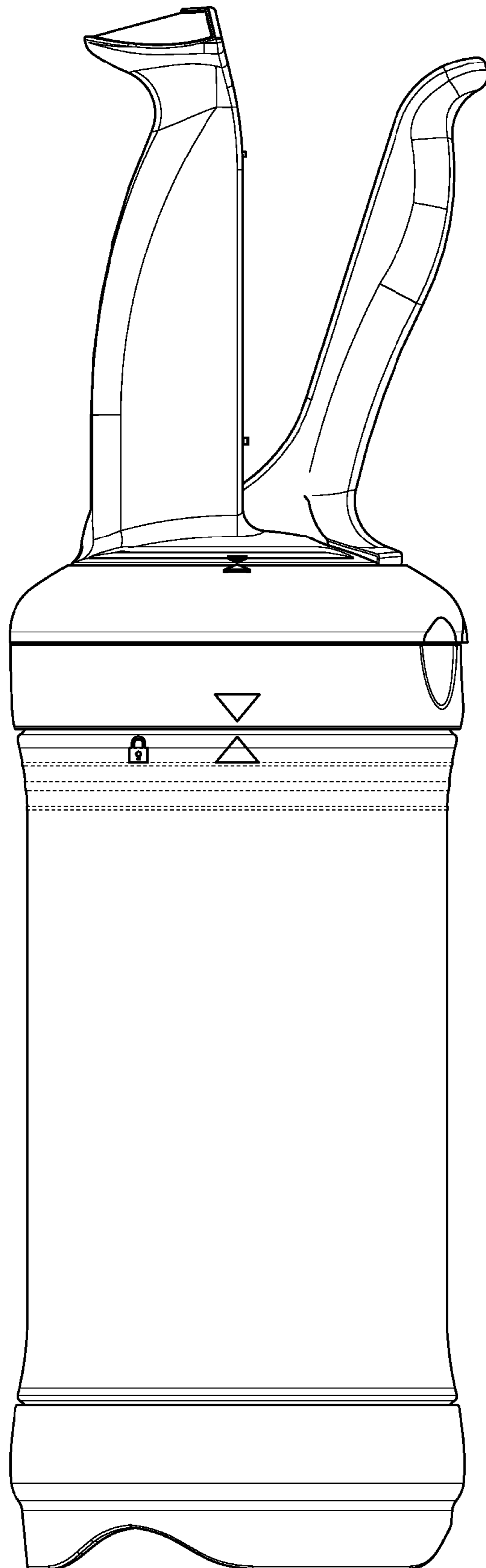


Fig. 2

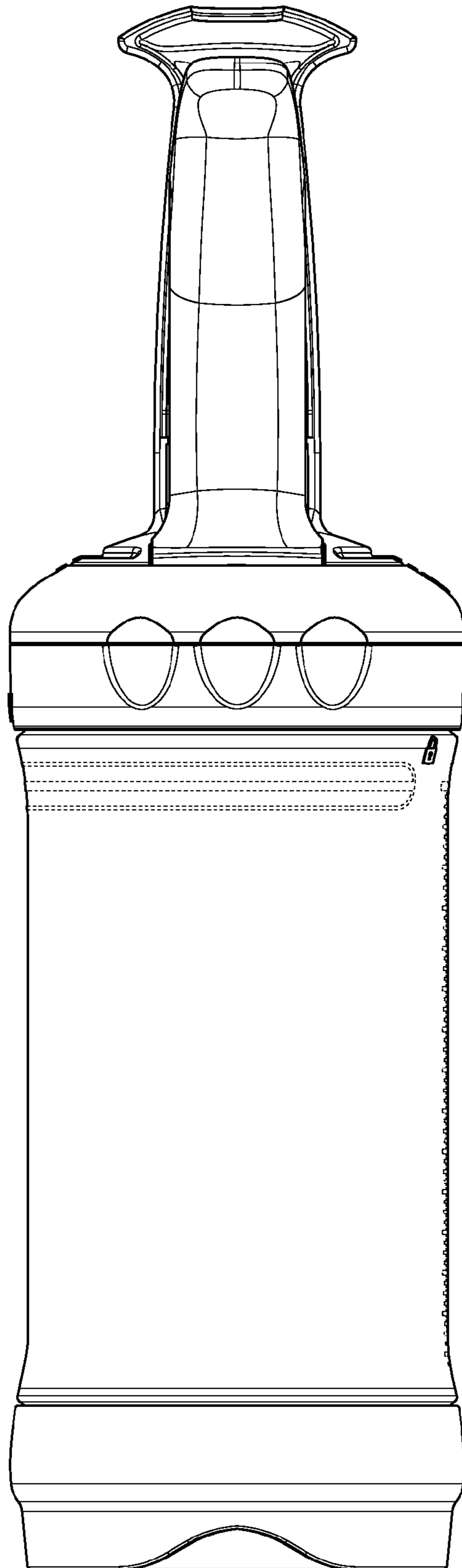


Fig. 3

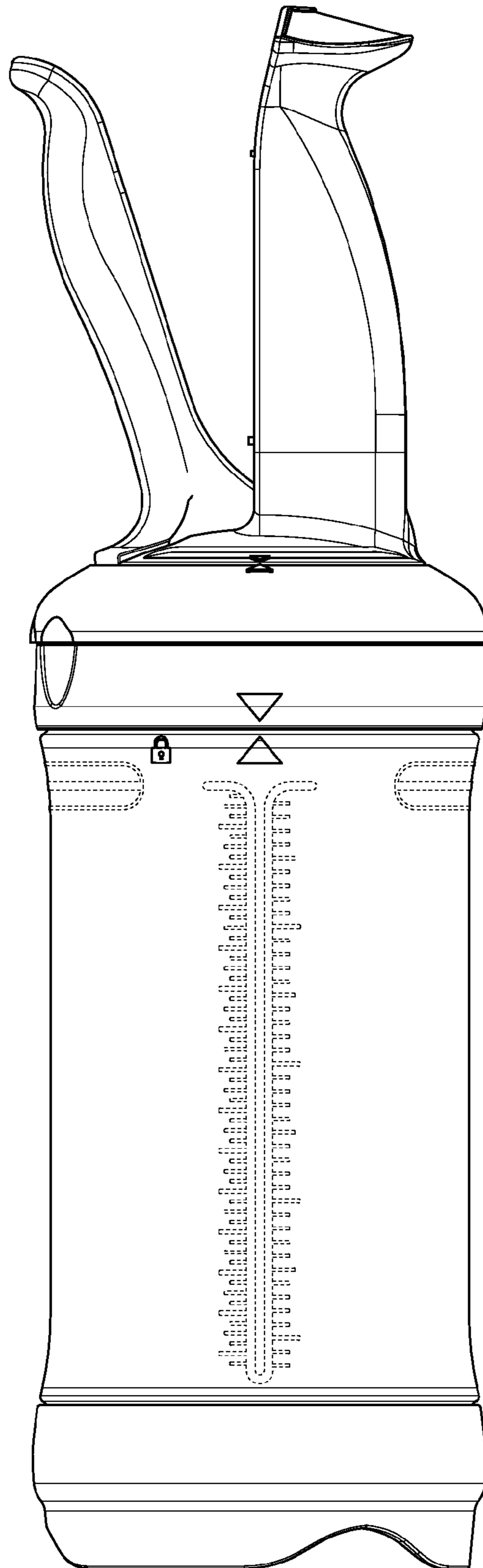


Fig. 4

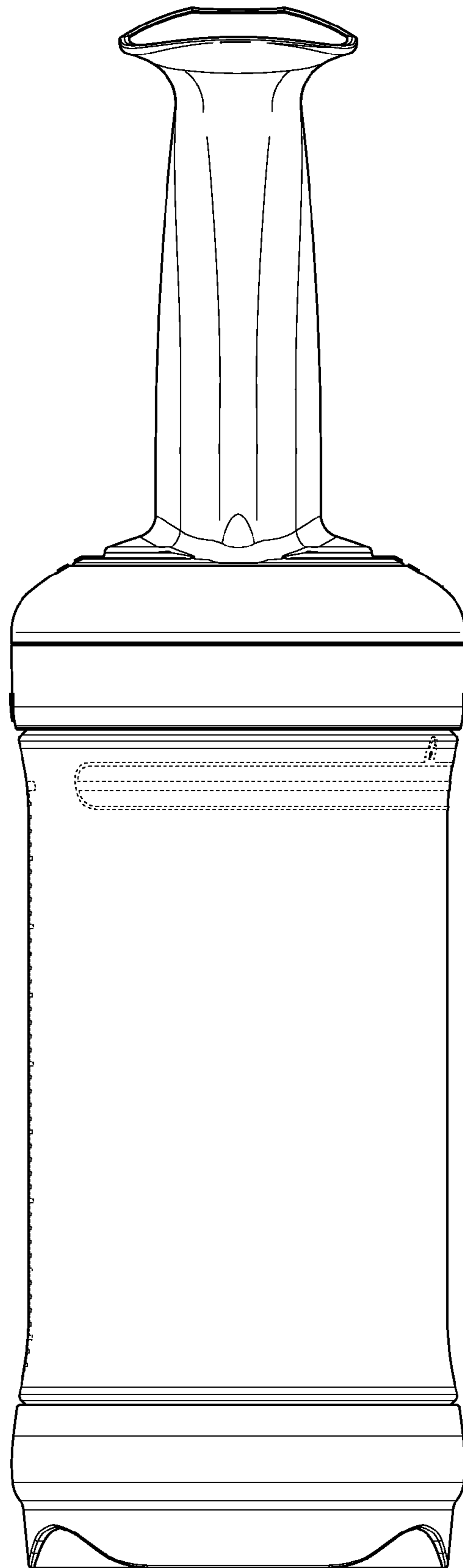


Fig. 5

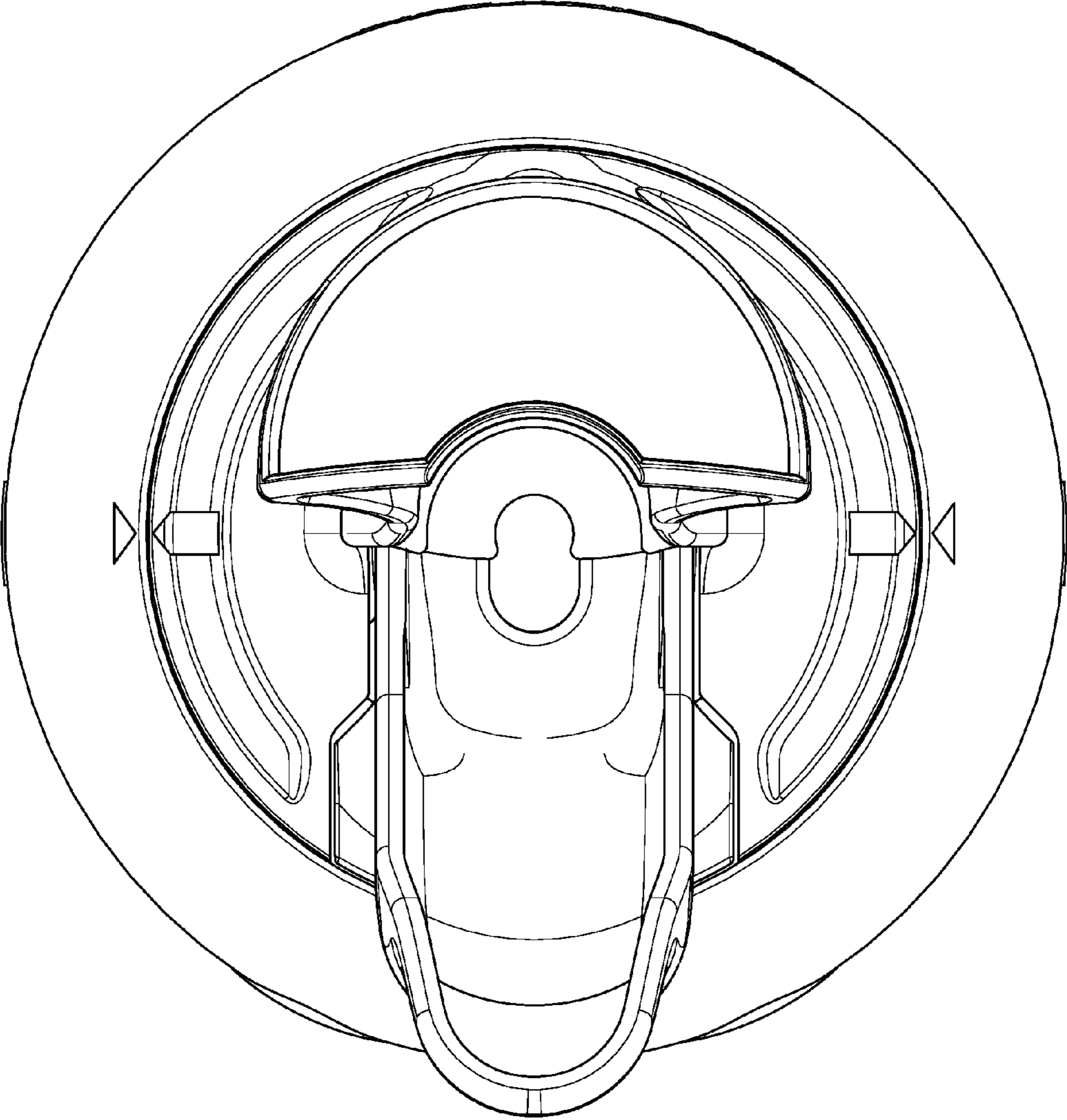


Fig. 6



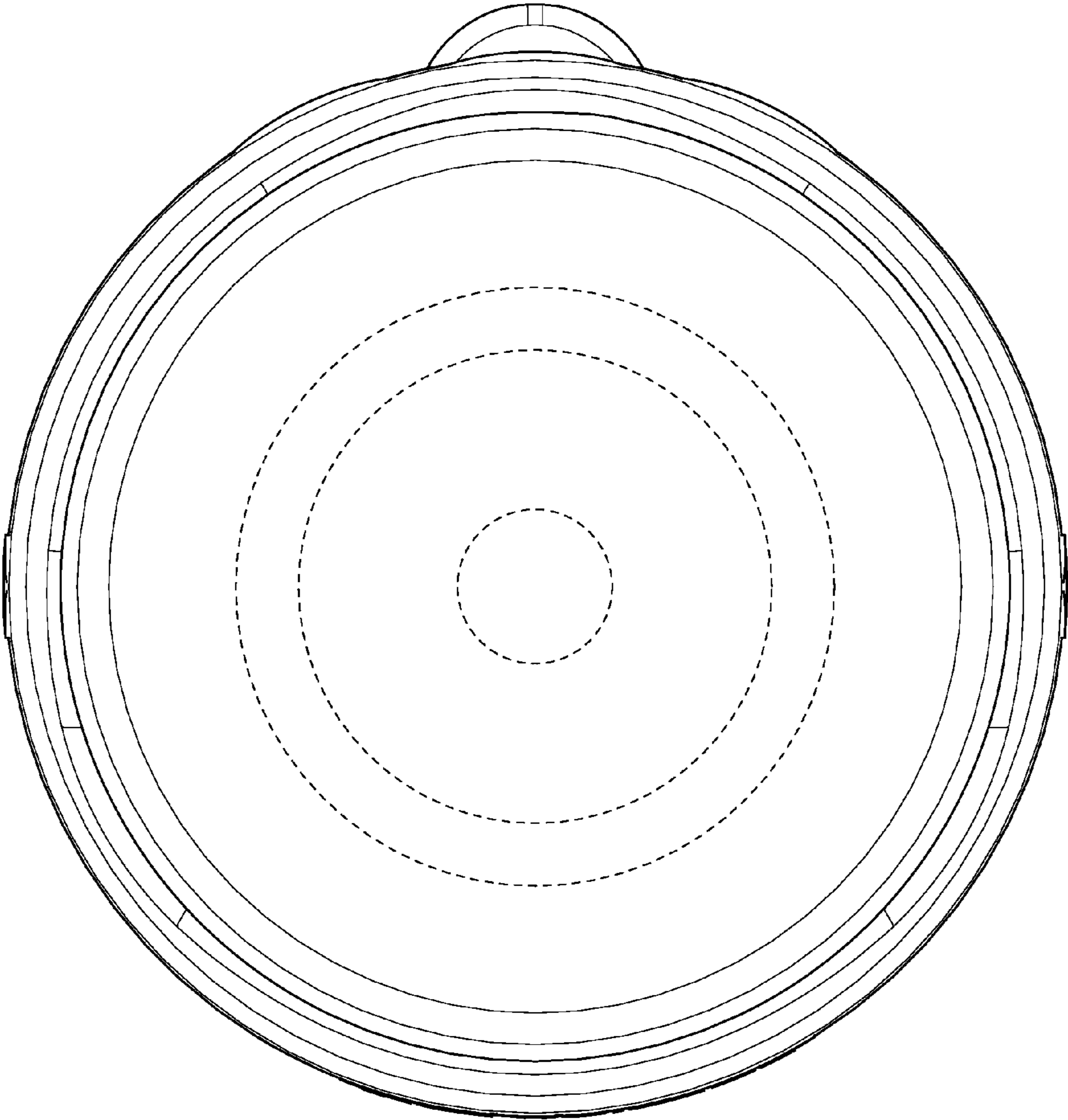


Fig. 7

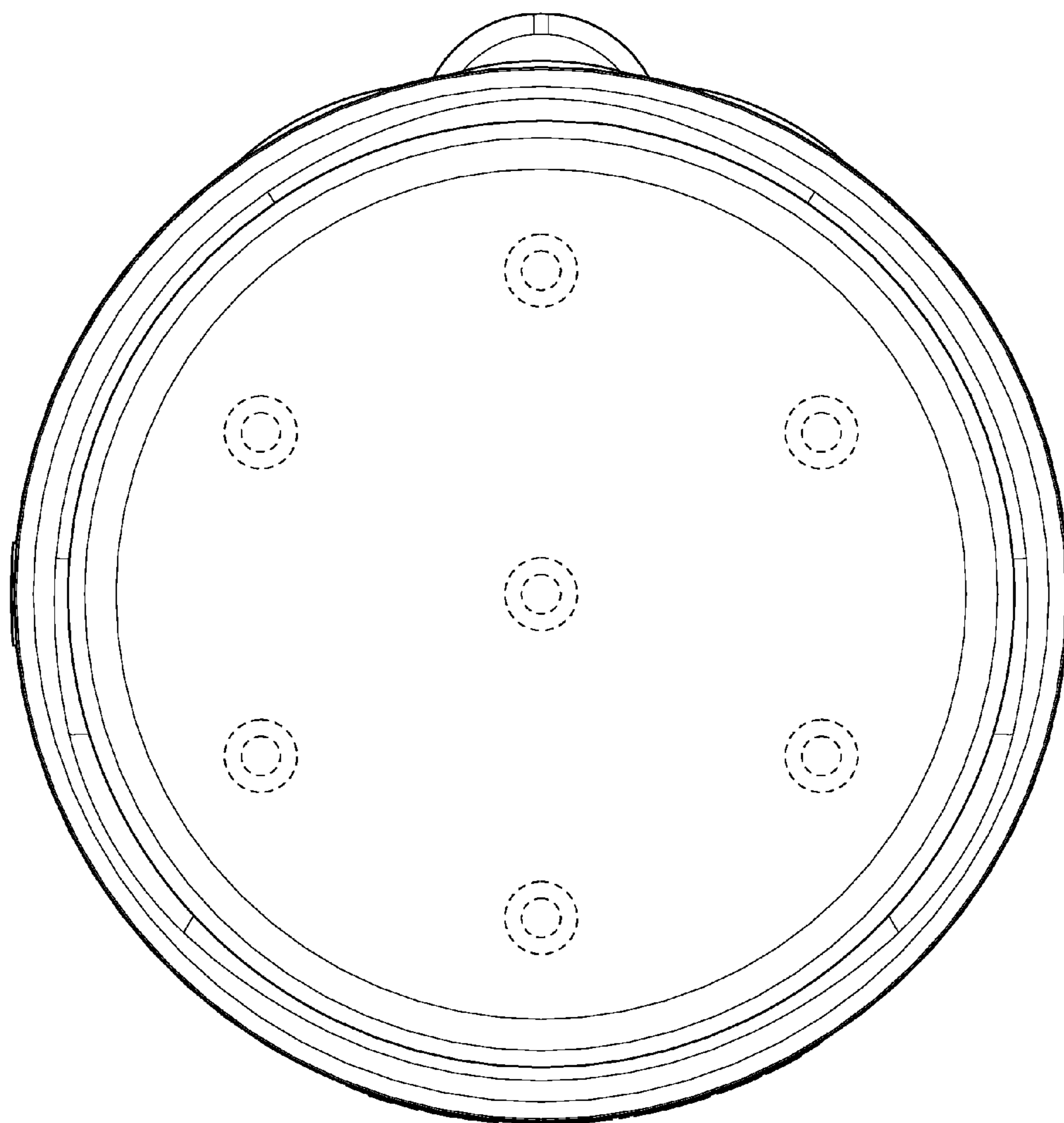


Fig. 8

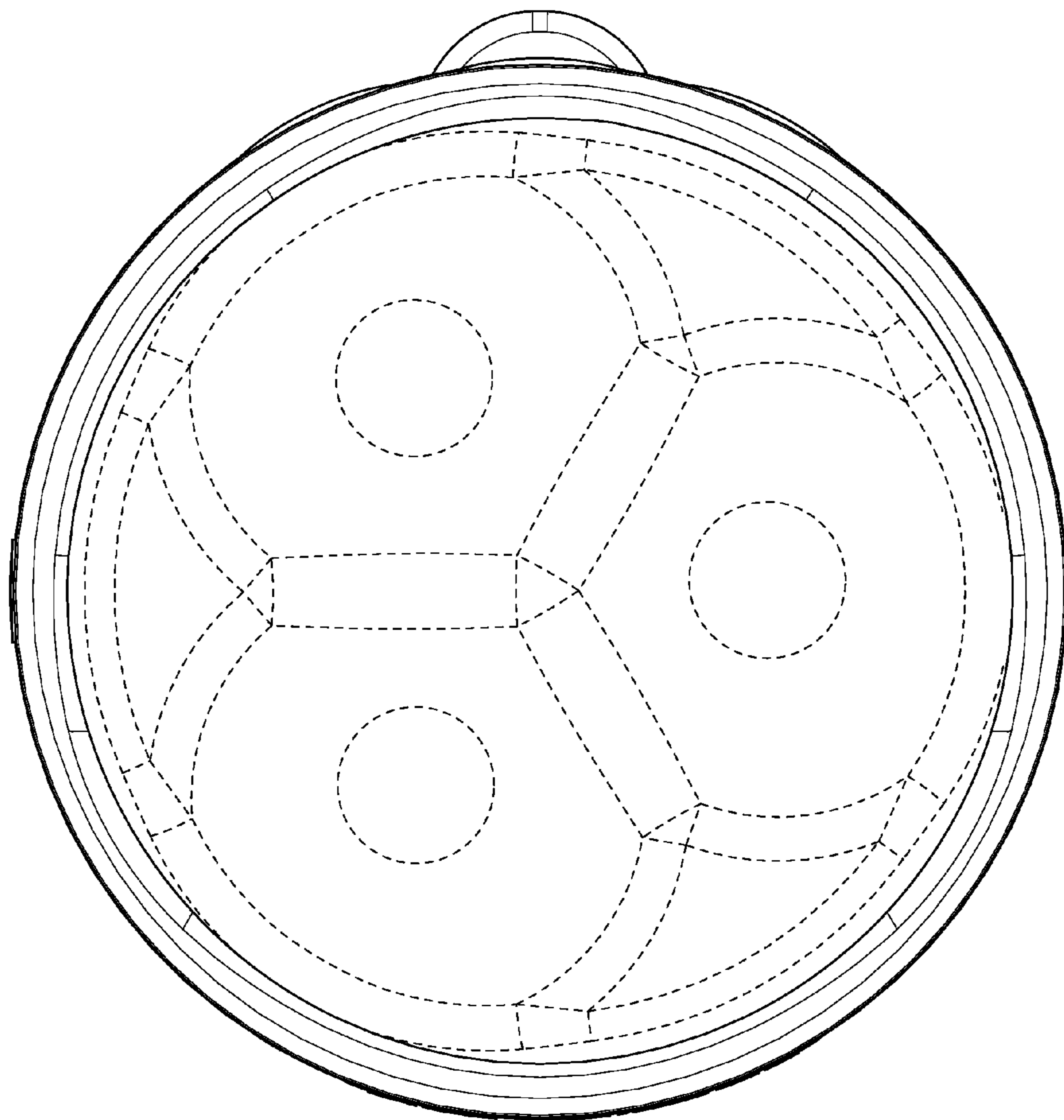


Fig. 9