



US00D698614S

(12) **United States Design Patent**  
**Duvigneau**

(10) **Patent No.:** **US D698,614 S**

(45) **Date of Patent:** **\*\* Feb. 4, 2014**

(54) **CONTAINER WITH LID**

(71) Applicant: **Curver Luxembourg Sarl**, Neidercorn (LU)

(72) Inventor: **Nikolai Duvigneau**, Zichron Yaacov, IL (US)

(73) Assignee: **Curver Luxembourg Sarl**, Neidercorn (LU)

(\*\*) Term: **14 Years**

(21) Appl. No.: **29/462,927**

(22) Filed: **Aug. 9, 2013**

**Related U.S. Application Data**

(62) Division of application No. 29/399,150, filed on Aug. 10, 2011.

**Foreign Application Priority Data**

Feb. 11, 2011 (EM) ..... 001259949-0007  
Feb. 11, 2011 (EM) ..... 001259949-0008

(51) **LOC (10) Cl.** ..... **07-07**

(52) **U.S. Cl.**  
USPC ..... **D7/629**

(58) **Field of Classification Search**  
USPC ..... D7/602, 629, 630, 612-615, 538-542,  
D7/391-392, 584, 586, 587; 220/780-806,  
220/669-673, 675, 574-575, 573.1, 660,  
220/260, 326; D9/424-432

See application file for complete search history.

(56) **References Cited**

U.S. PATENT DOCUMENTS

D452,374 S *	12/2001	Kim	.....	D3/302
6,415,947 B1 *	7/2002	Kim	.....	220/788
D481,910 S *	11/2003	Kim	.....	D7/629
6,793,096 B1 *	9/2004	Seok	.....	220/788
D517,311 S *	3/2006	Kim	.....	D3/218
D544,762 S *	6/2007	Zimmerman	.....	D7/629
D618,516 S *	6/2010	DiPietro et al.	.....	D7/629
D660,095 S *	5/2012	Kyung	.....	D7/629
2004/0084464 A1 *	5/2004	Koo	.....	220/784
2005/0006390 A1 *	1/2005	Wang	.....	220/326
2005/0035125 A1 *	2/2005	Bae	.....	220/326
2008/0203092 A1 *	8/2008	Stamper et al.	.....	220/203.01

\* cited by examiner

*Primary Examiner* — Terry Wallace

(74) *Attorney, Agent, or Firm* — Nath, Goldberg & Meyer; Jerald L. Meyer; Scott C. Langford

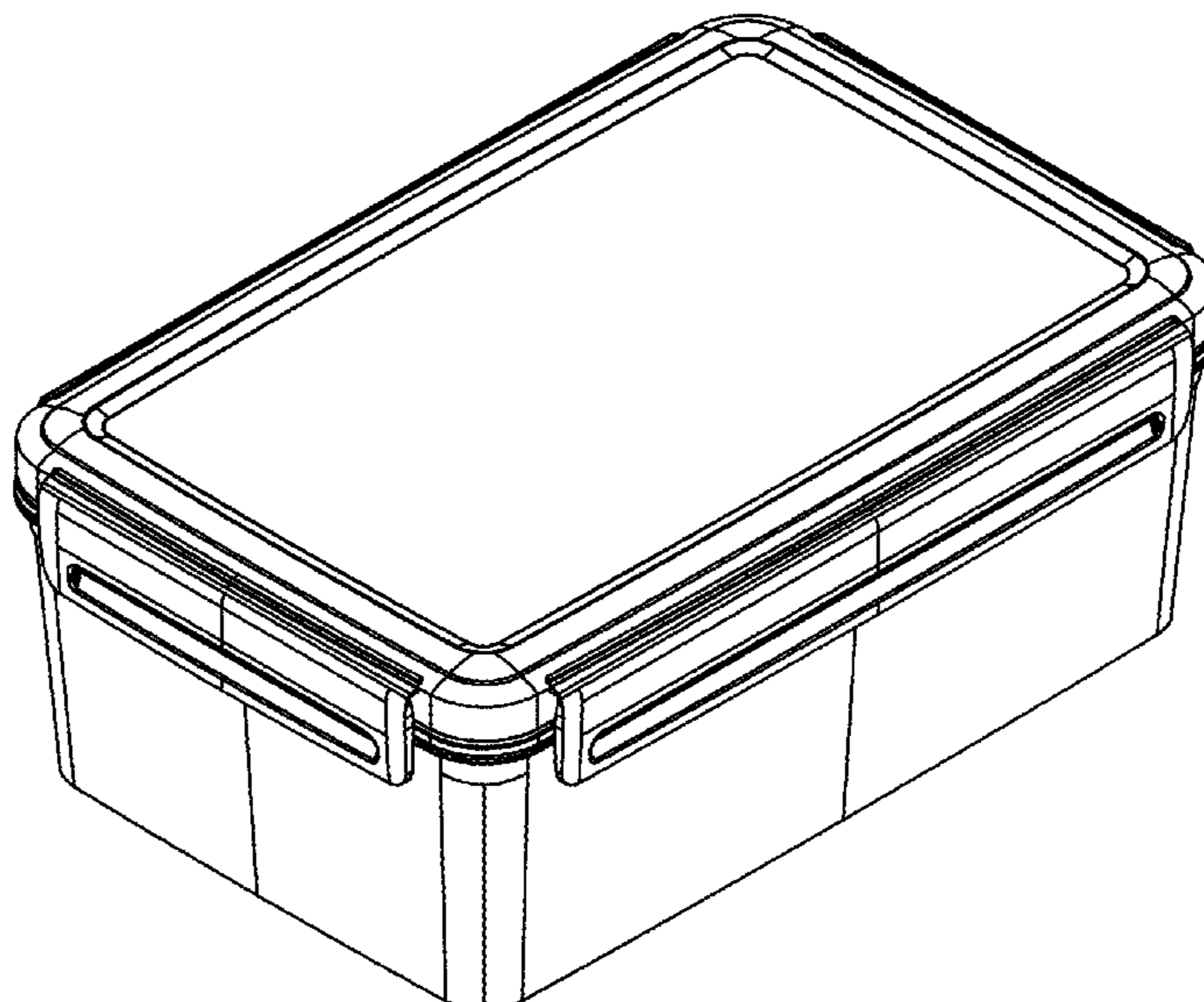
(57) **CLAIM**

The ornamental design for container with lid, as shown and described.

**DESCRIPTION**

FIG. 1 is a top perspective view of a container with lid; FIG. 2 is a front elevational view of the container with lid as seen in FIG. 1, with the rear elevational view being identical; FIG. 3 is a right elevational view of the container with lid as seen in FIG. 1, with the left elevational view being identical; FIG. 4 is a top planar view of the container with lid as seen in FIG. 1; FIG. 5 is a top perspective view of a second embodiment of a container with lid; FIG. 6 is a front elevational view of the container with lid as seen in FIG. 5, with the rear elevational view being identical; FIG. 7 is a right elevational view of the container with lid as seen in FIG. 5, with the left elevational view being identical; and, FIG. 8 is a top planar view of the container with lid as seen in FIG. 5.

**1 Claim, 8 Drawing Sheets**



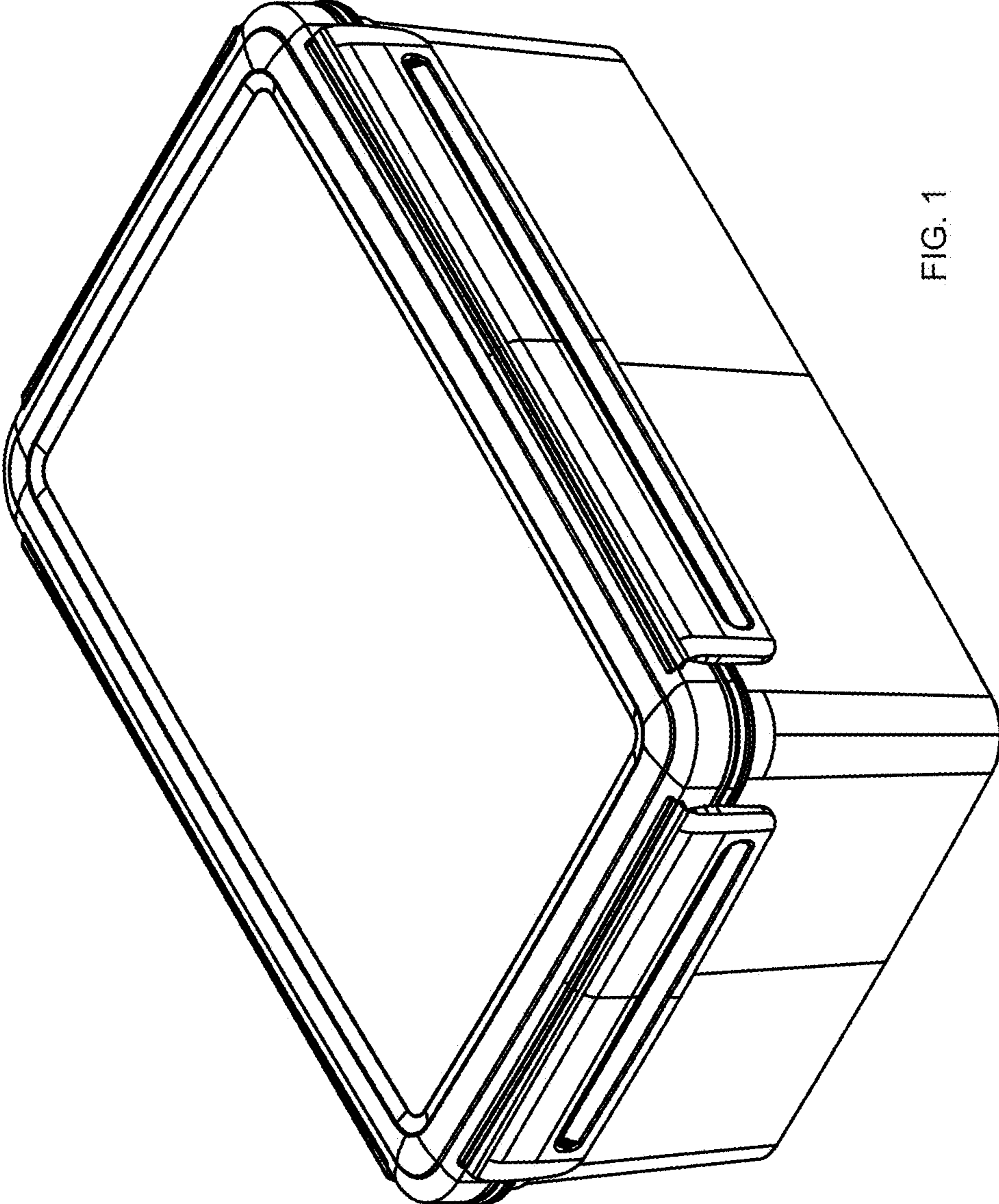


FIG. 1

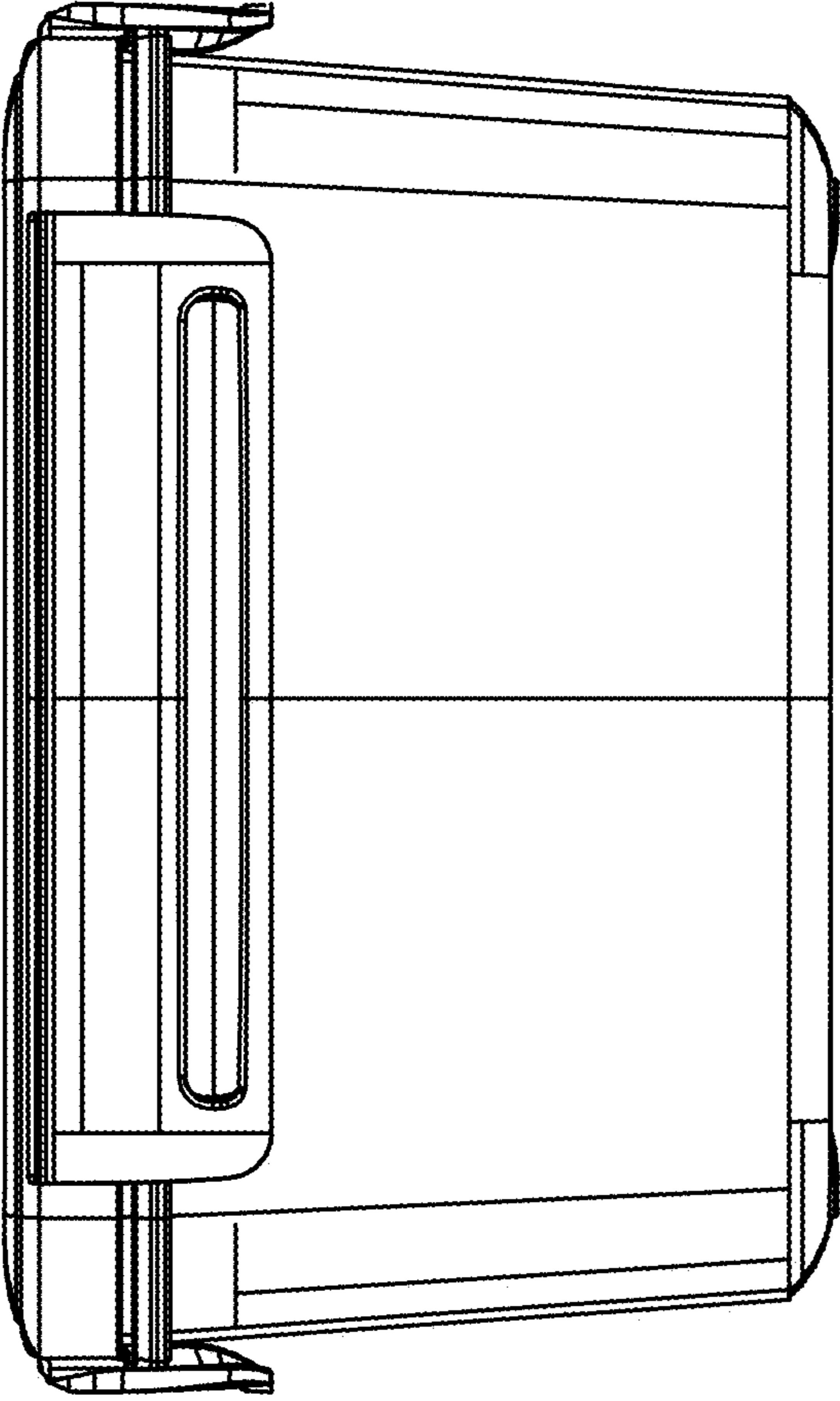


FIG. 2

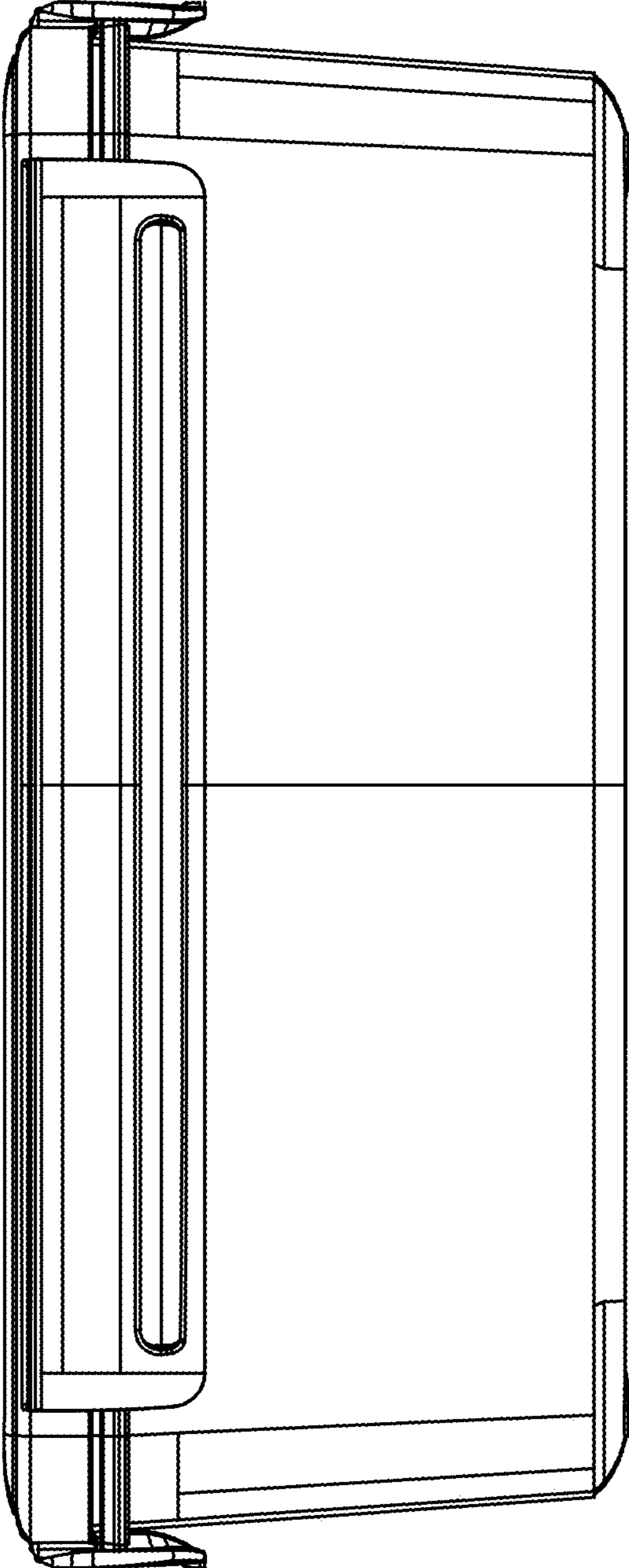


FIG. 3

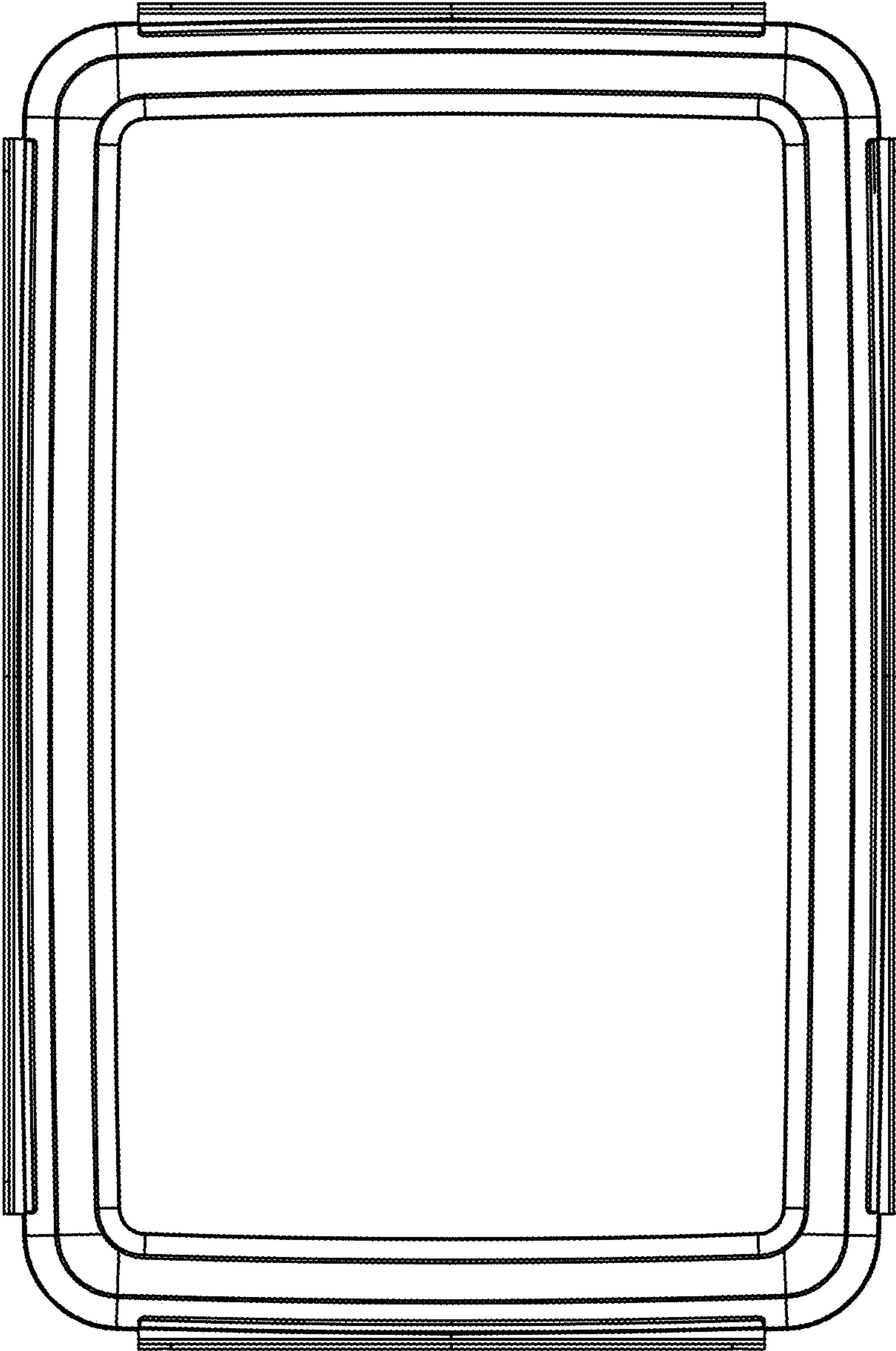


FIG. 4

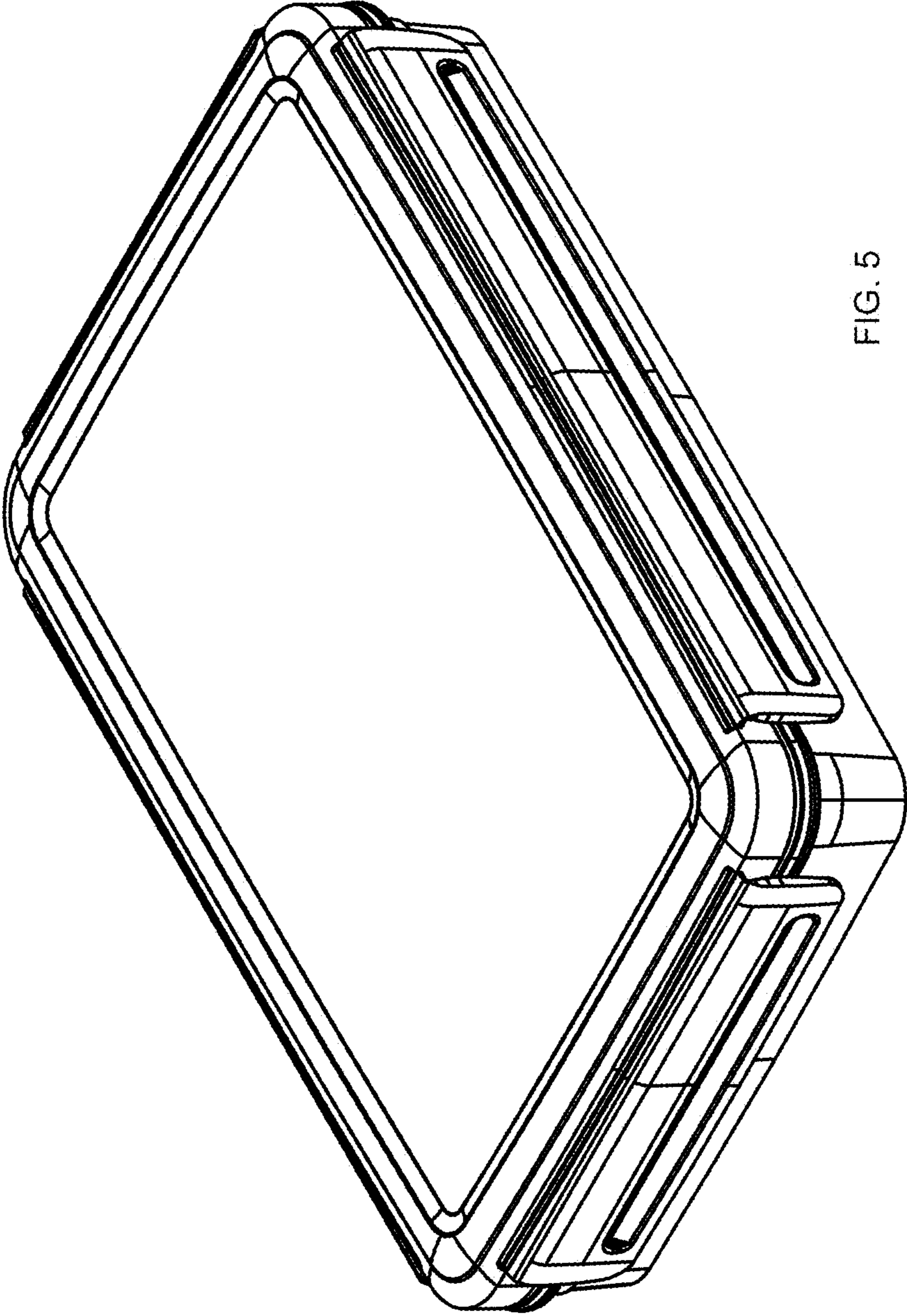


FIG. 5

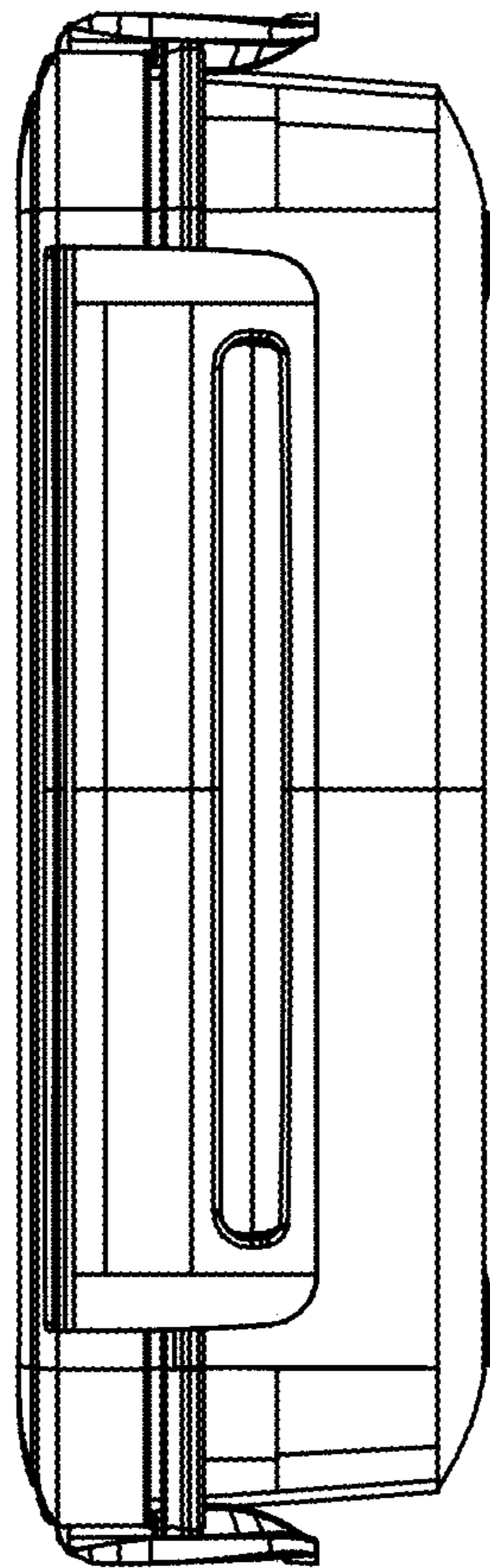


FIG. 6

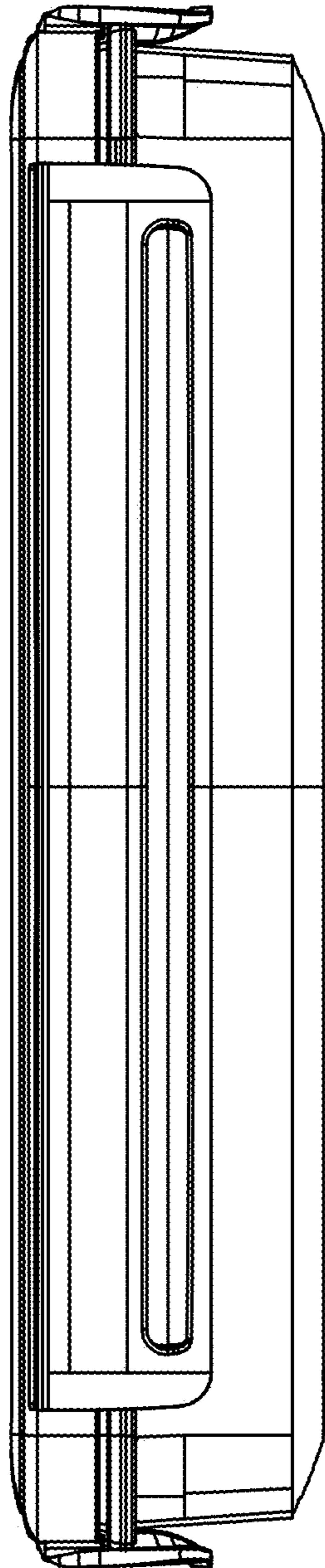


FIG. 7



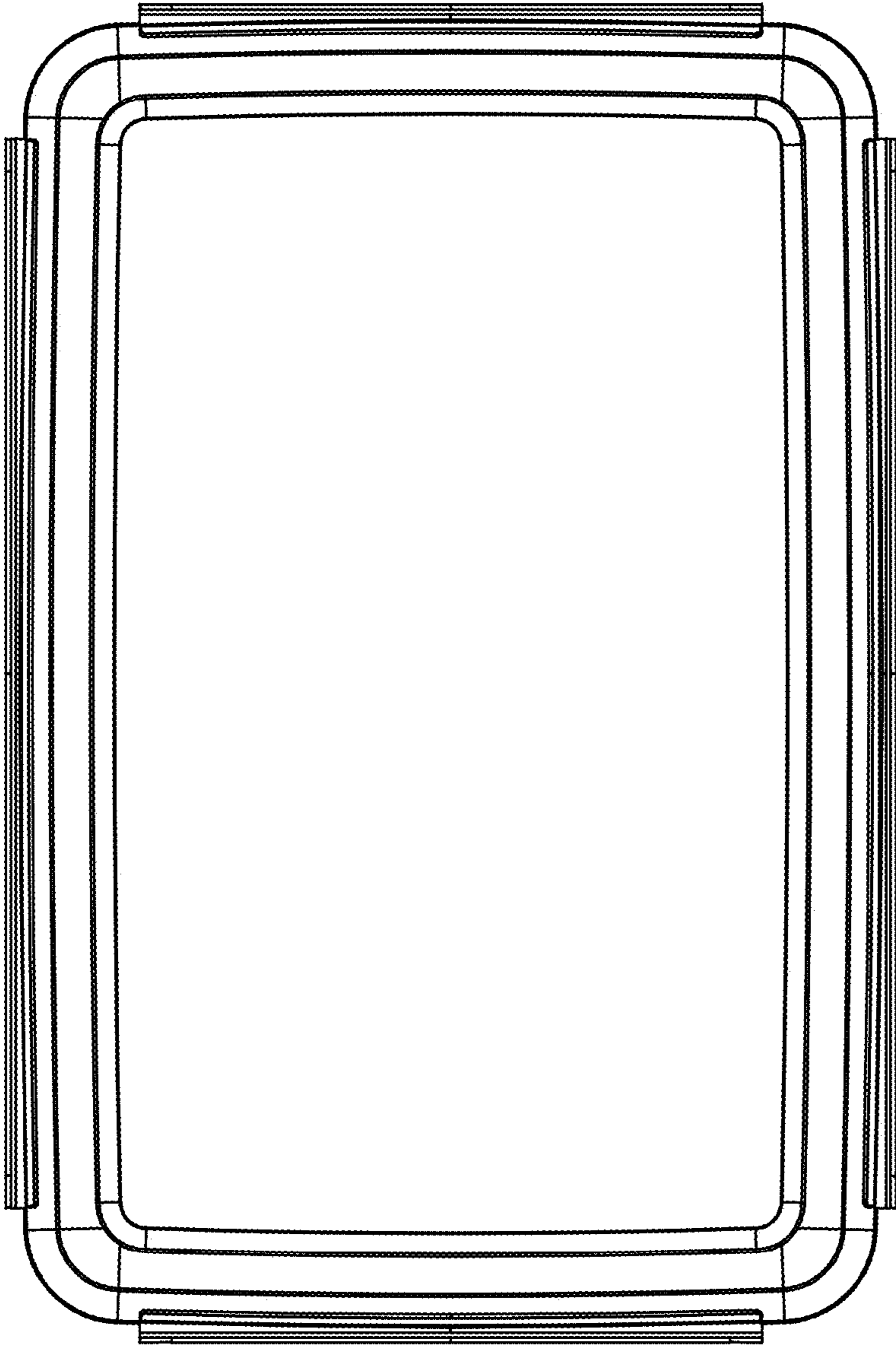


FIG. 8