

US00D698612S

(12) **United States Design Patent**
Kraemer

(10) **Patent No.:** **US D698,612 S**
(45) **Date of Patent:** **** Feb. 4, 2014**

(54) **REFRIGERATOR EGG HOLDER**

- (71) Applicant: **InterDesign, Inc.**, Solon, OH (US)
- (72) Inventor: **Kevin Francis Kraemer**, Cuyahoga Falls, OH (US)
- (73) Assignee: **InterDesign, Inc.**, Solon, OH (US)
- (**) Term: **14 Years**
- (21) Appl. No.: **29/444,254**
- (22) Filed: **Jan. 29, 2013**
- (51) **LOC (10) Cl.** **07-01**
- (52) **U.S. Cl.**
USPC **D7/611**
- (58) **Field of Classification Search**
USPC D7/611; D9/757; D15/90;
62/457.1-457.9; 206/541; 249/70, 119,
249/126, 127, 129
See application file for complete search history.

(56) **References Cited**

U.S. PATENT DOCUMENTS

D137,887 S *	5/1944	Shulman	D7/611
D224,518 S *	8/1972	Pearl et al.	D9/757
D239,875 S *	5/1976	Armstrong	D7/611
D292,802 S *	11/1987	Fails	D15/90
D374,177 S *	10/1996	Onneweer	D9/757
D676,470 S *	2/2013	Norin et al.	D15/90

OTHER PUBLICATIONS

Images of 70739 Fridge Binz Egg Holder, which was sold prior to Jan. 29, 2013 (sold prior to the filing date of the parent U.S. Appl. No. 29/444,254).

* cited by examiner

Primary Examiner — Brian N Vinson

(74) *Attorney, Agent, or Firm* — Calfee, Halter & Griswold LLP

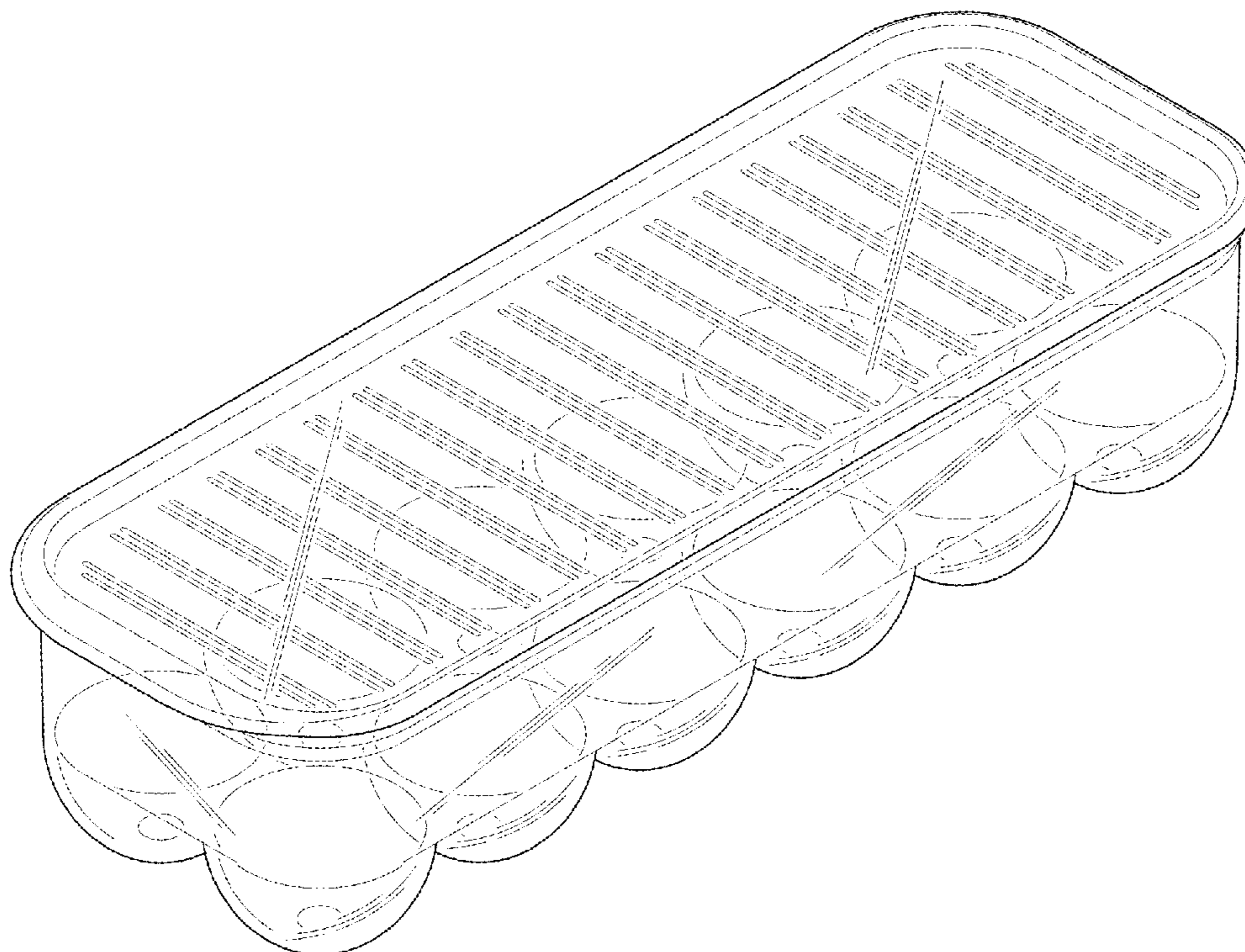
(57) **CLAIM**

The ornamental design for a refrigerator egg holder, as shown.

DESCRIPTION

FIG. 1 is a top, front, and left side perspective view of a refrigerator egg holder showing my new design; FIG. 2 is a bottom, rear, and right side perspective view thereof; FIG. 3 is a left side elevational view thereof; FIG. 4 is a right side elevational view thereof; FIG. 5 is a front elevational view thereof; FIG. 6 is a rear elevational view thereof; FIG. 7 is a top plan view thereof; and, FIG. 8 is a bottom plan view thereof.

1 Claim, 6 Drawing Sheets



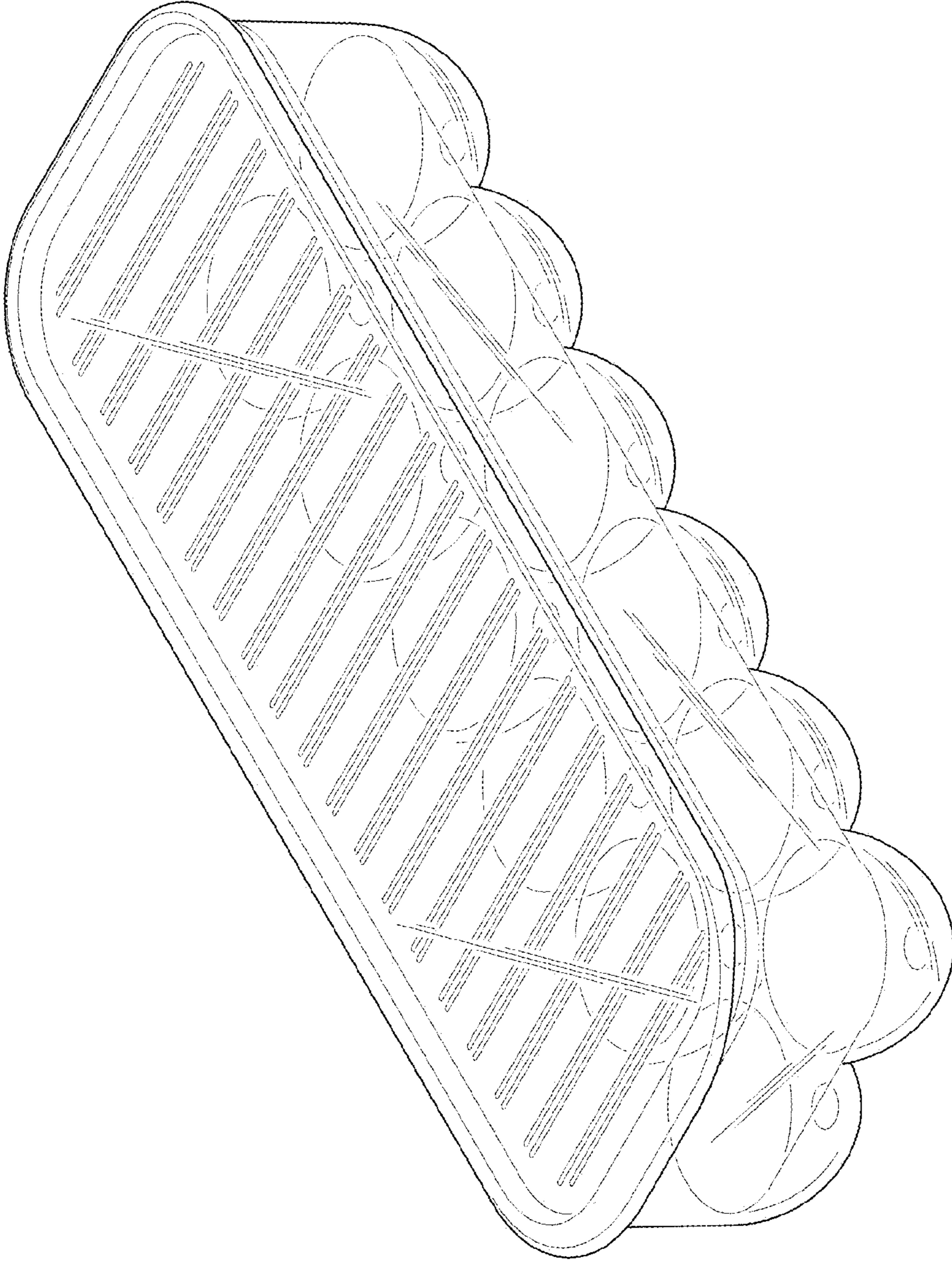


FIG. 1

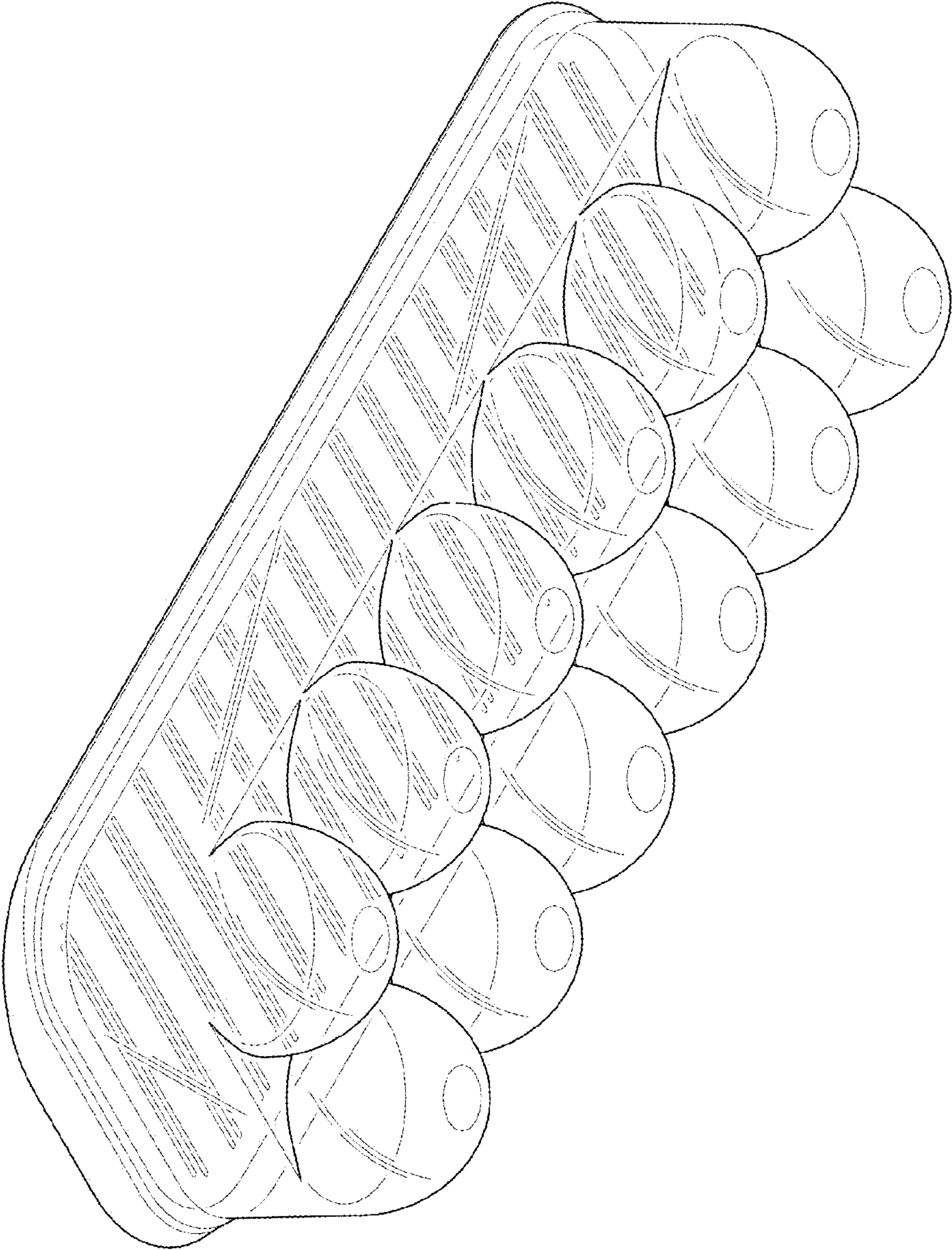


FIG. 2

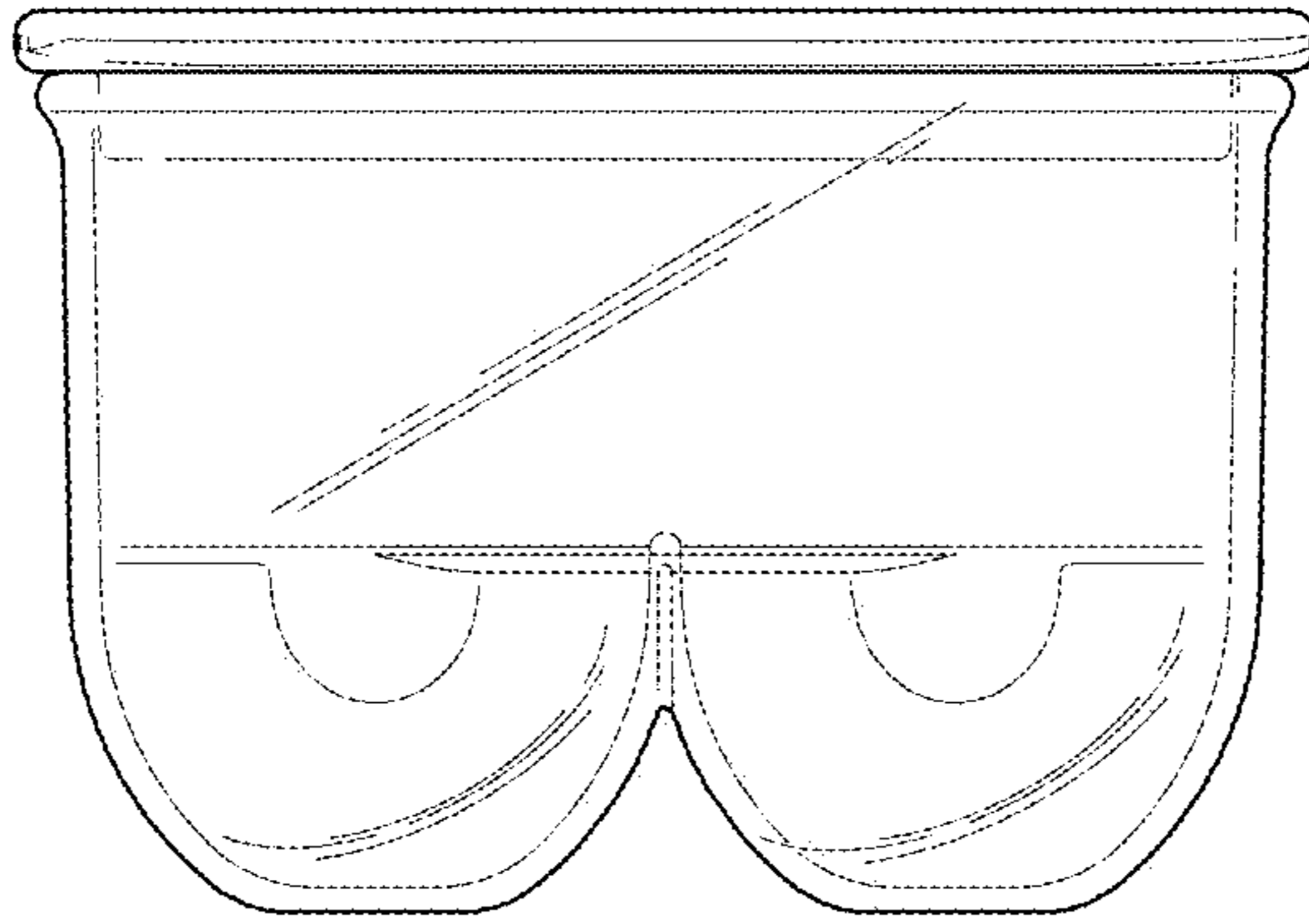


FIG. 3

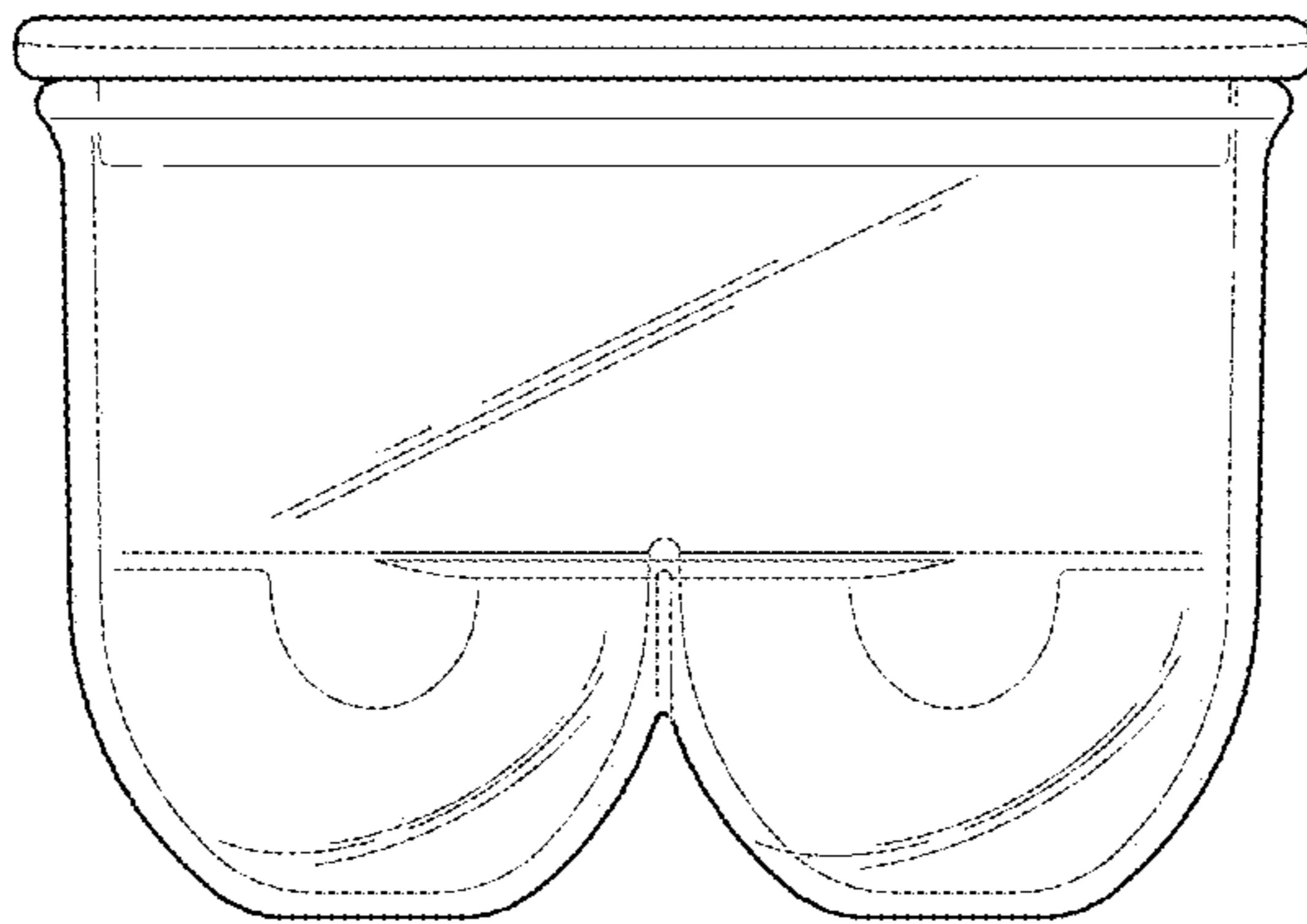


FIG. 4

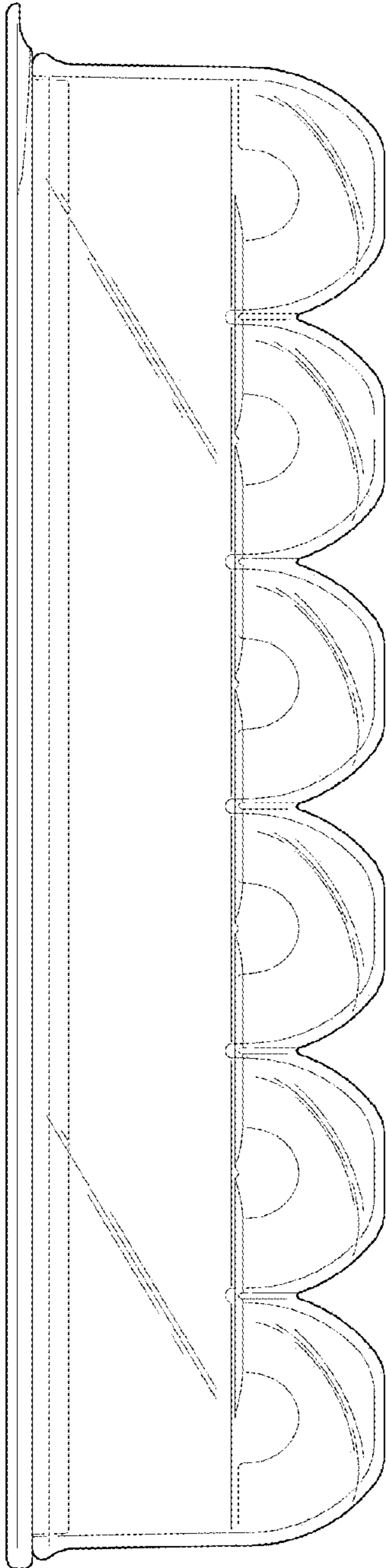


FIG. 5

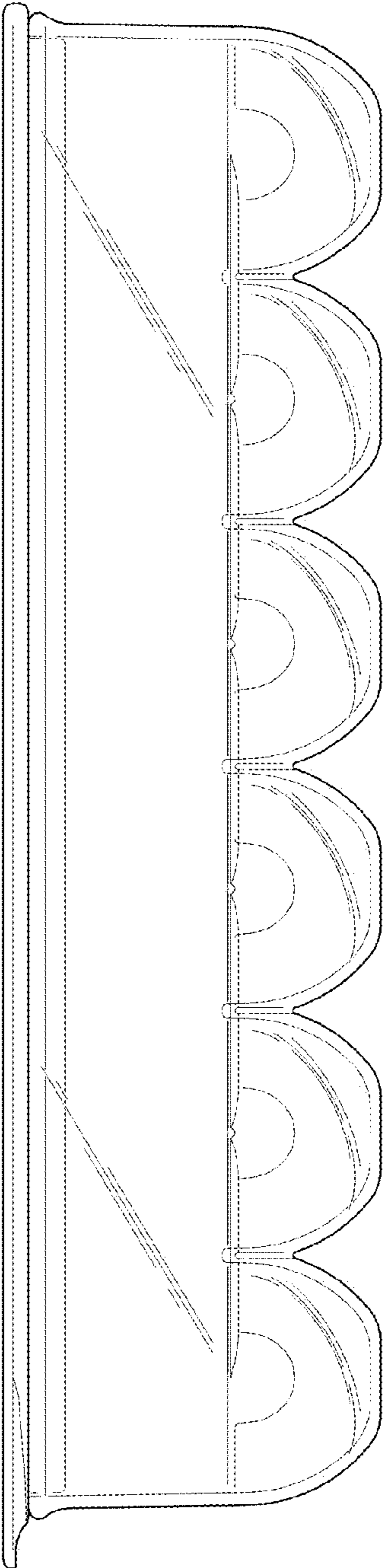


FIG. 6

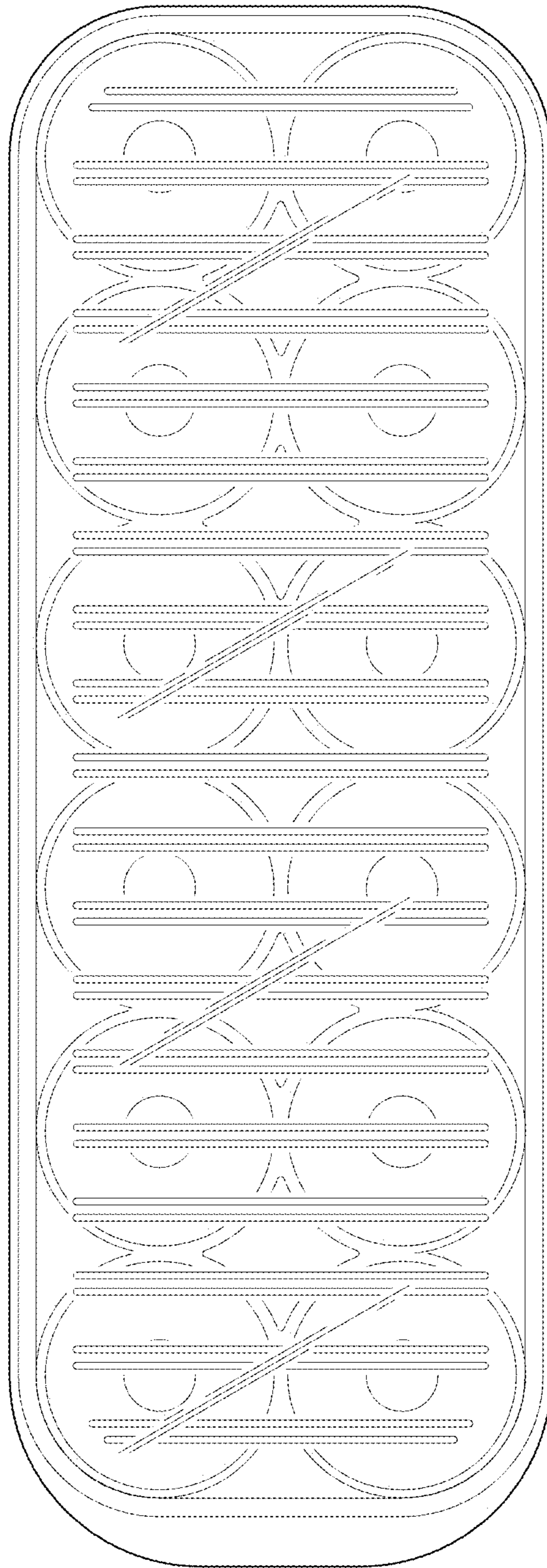


FIG. 7

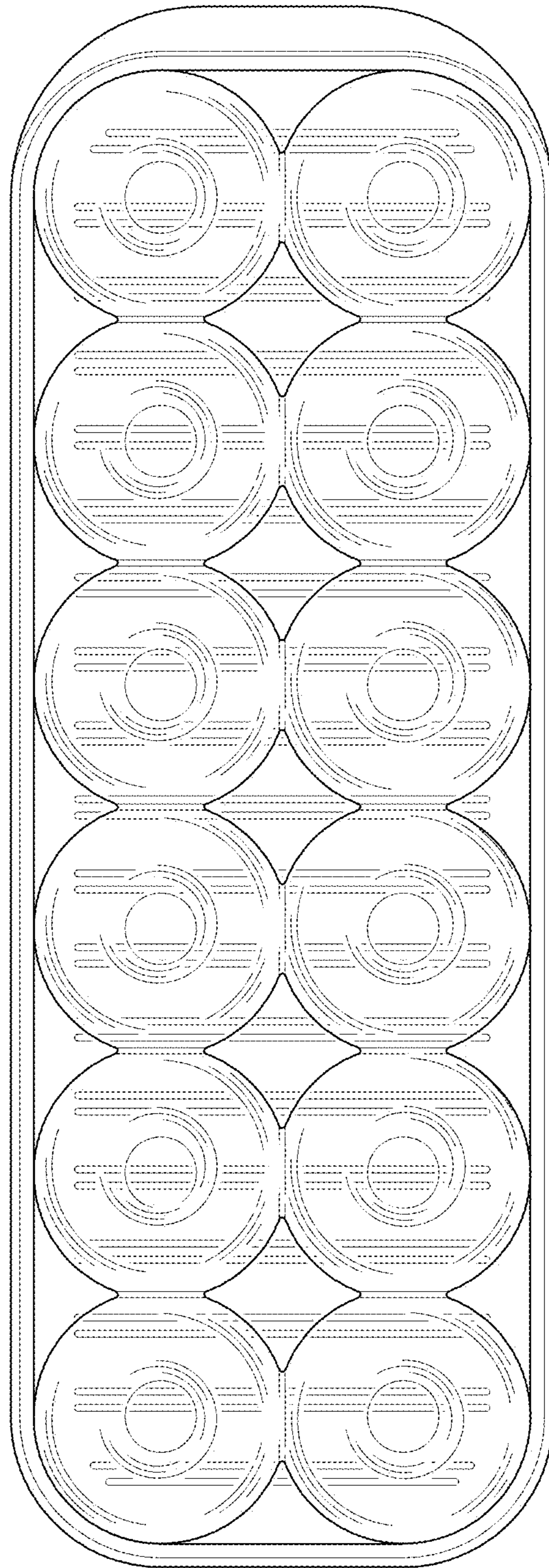


FIG. 8