



US00D698610S

(12) **United States Design Patent**  
**Tavoularis, II**

(10) **Patent No.:** **US D698,610 S**

(45) **Date of Patent:** **\*\* Feb. 4, 2014**

(54) **CUPCAKE CONTAINER**

D653,916 S \* 2/2012 Ablo ..... D7/629  
D658,014 S \* 4/2012 Miga, Jr. .... D7/629  
D666,460 S \* 9/2012 Kolano ..... D7/628

(71) Applicant: **Tom Harry Tavoularis, II**, El Segundo,  
CA (US)

(72) Inventor: **Tom Harry Tavoularis, II**, El Segundo,  
CA (US)

(73) Assignee: **Dylan's Candy Bar LLC**, New York,  
NY (US)

(\*\*) Term: **14 Years**

(21) Appl. No.: **29/436,884**

(22) Filed: **Nov. 9, 2012**

(51) **LOC (10) Cl.** ..... **07-07**

(52) **U.S. Cl.**  
USPC ..... **D7/610; D7/628**

(58) **Field of Classification Search**  
USPC ..... D7/629, 610, 628, 630, 538-542, 571,  
D7/354; D9/600, 643, 761, 762; 206/457,  
206/776, 551, 754, 755, 804, 817;  
220/780-806; D3/271.1, 270; 229/906;  
D1/127, 116, 118  
See application file for complete search history.

(56) **References Cited**

**U.S. PATENT DOCUMENTS**

D334,865 S \* 4/1993 Munch ..... D7/354  
D404,535 S \* 1/1999 Biniaris ..... D1/101  
6,176,375 B1 \* 1/2001 Truscello et al. .... 206/776  
D478,785 S \* 8/2003 Rorke et al. .... D7/628  
6,896,140 B1 \* 5/2005 Perry ..... 206/551  
D521,872 S \* 5/2006 Wu ..... D9/643  
D527,520 S \* 9/2006 Green ..... D3/271.1  
D594,285 S \* 6/2009 Merrey ..... D7/610  
D611,775 S \* 3/2010 Yung ..... D7/628  
D625,151 S \* 10/2010 Matthews ..... D7/610

**OTHER PUBLICATIONS**

[http://www.staples.com/Staples-Cupcake-Tape-Dispenser/product\\_463270](http://www.staples.com/Staples-Cupcake-Tape-Dispenser/product_463270) (last visited Jul. 15, 2013).  
[http://www.womansday.com/life/back-to-school-supplies?click=main\\_sr#slide-3](http://www.womansday.com/life/back-to-school-supplies?click=main_sr#slide-3) (last visited Jul. 15, 2013).  
<http://www.amazon.com/Evriholder-Cupcake-Corer-Holder-Set/dp/B00B319EI4> (last visited 7-15-13).  
Cupcake container prototype/sample. Origin unknown.

\* cited by examiner

*Primary Examiner* — Terry Wallace

(74) *Attorney, Agent, or Firm* — Amster, Rothstein & Ebenstein LLP

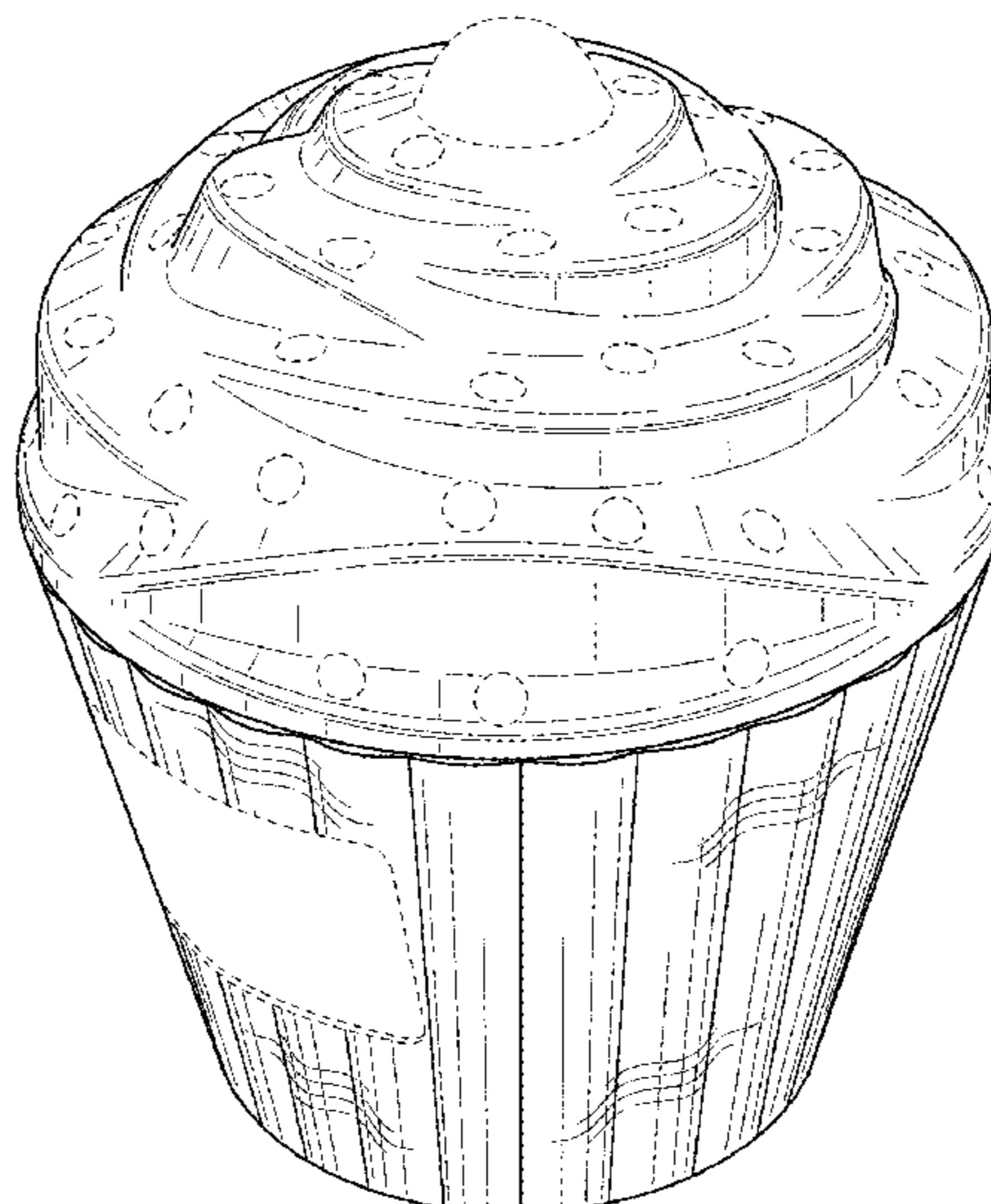
(57) **CLAIM**

The ornamental design for a cupcake container, as shown and described.

**DESCRIPTION**

FIG. 1 is a perspective view of a cupcake container showing my new design;  
FIG. 2 is a front view thereof;  
FIG. 3 is a rear view thereof;  
FIG. 4 is a right side view thereof;  
FIG. 5 is a left side view thereof;  
FIG. 6 is a top view thereof;  
FIG. 7 is a bottom view thereof; and,  
FIG. 8 is a perspective view of my new design in an open configuration.  
The broken lines are for illustrative purposes only and form no part of the claimed design.

**1 Claim, 5 Drawing Sheets**



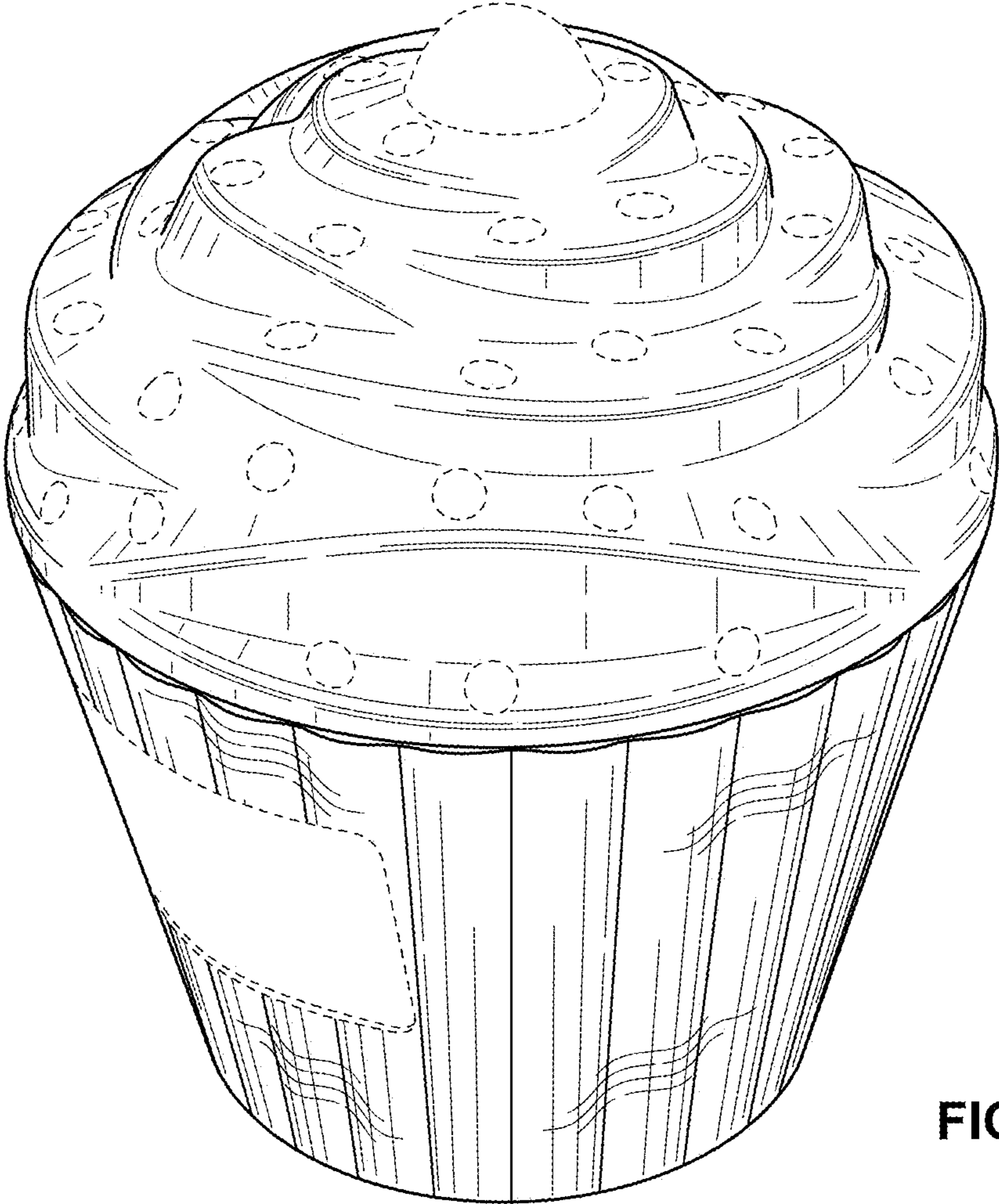


FIG. 1

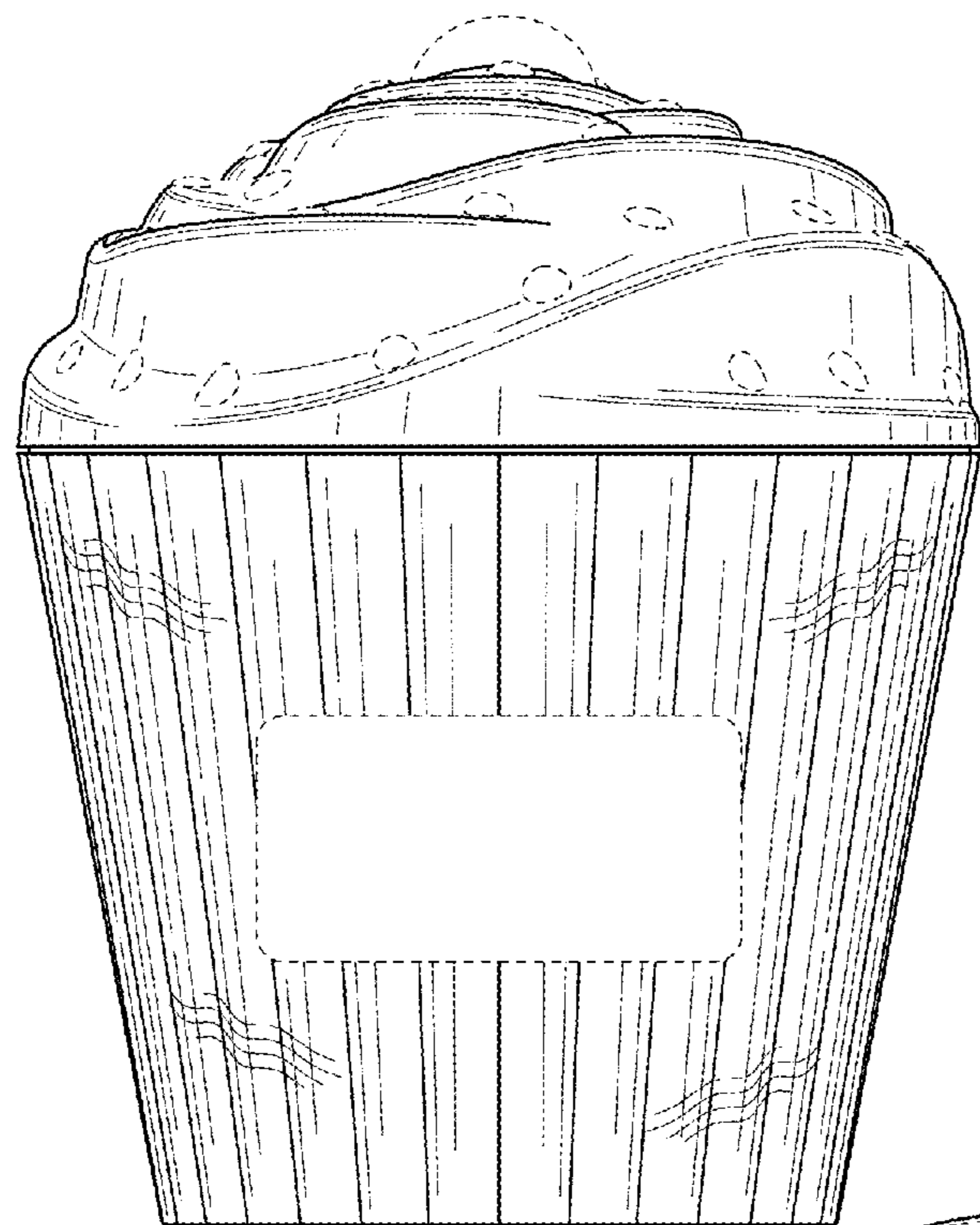


FIG. 2

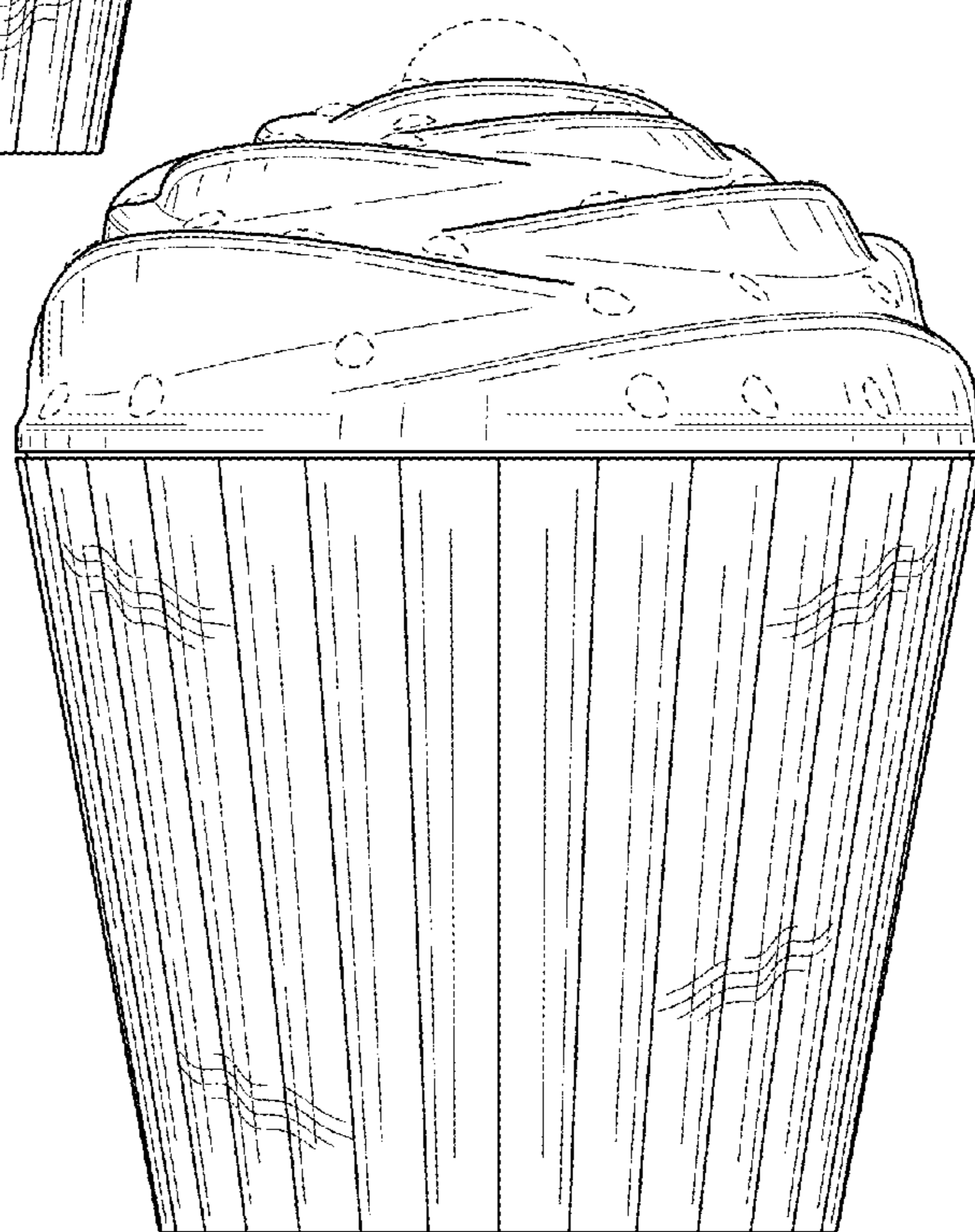


FIG. 3



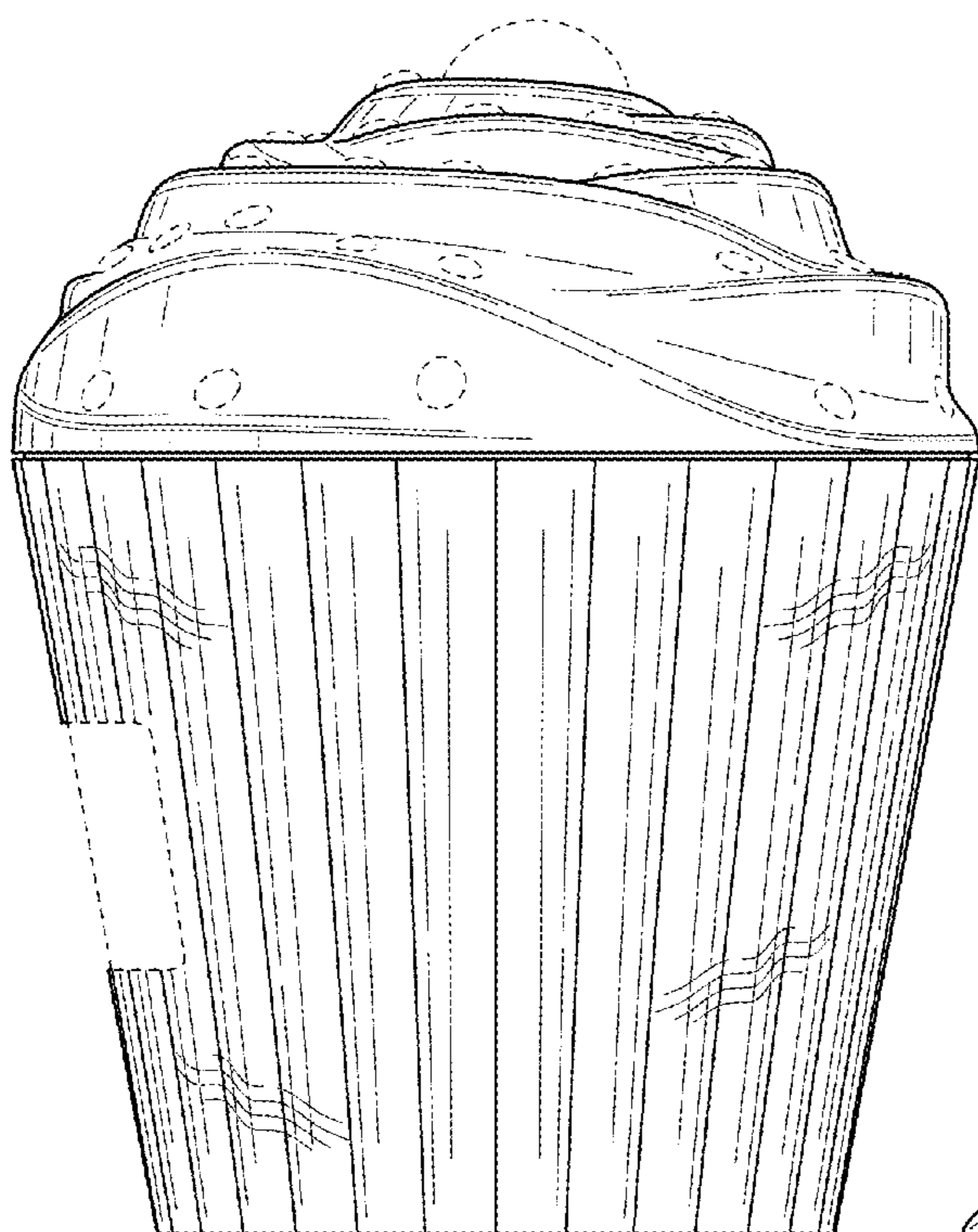


FIG. 4

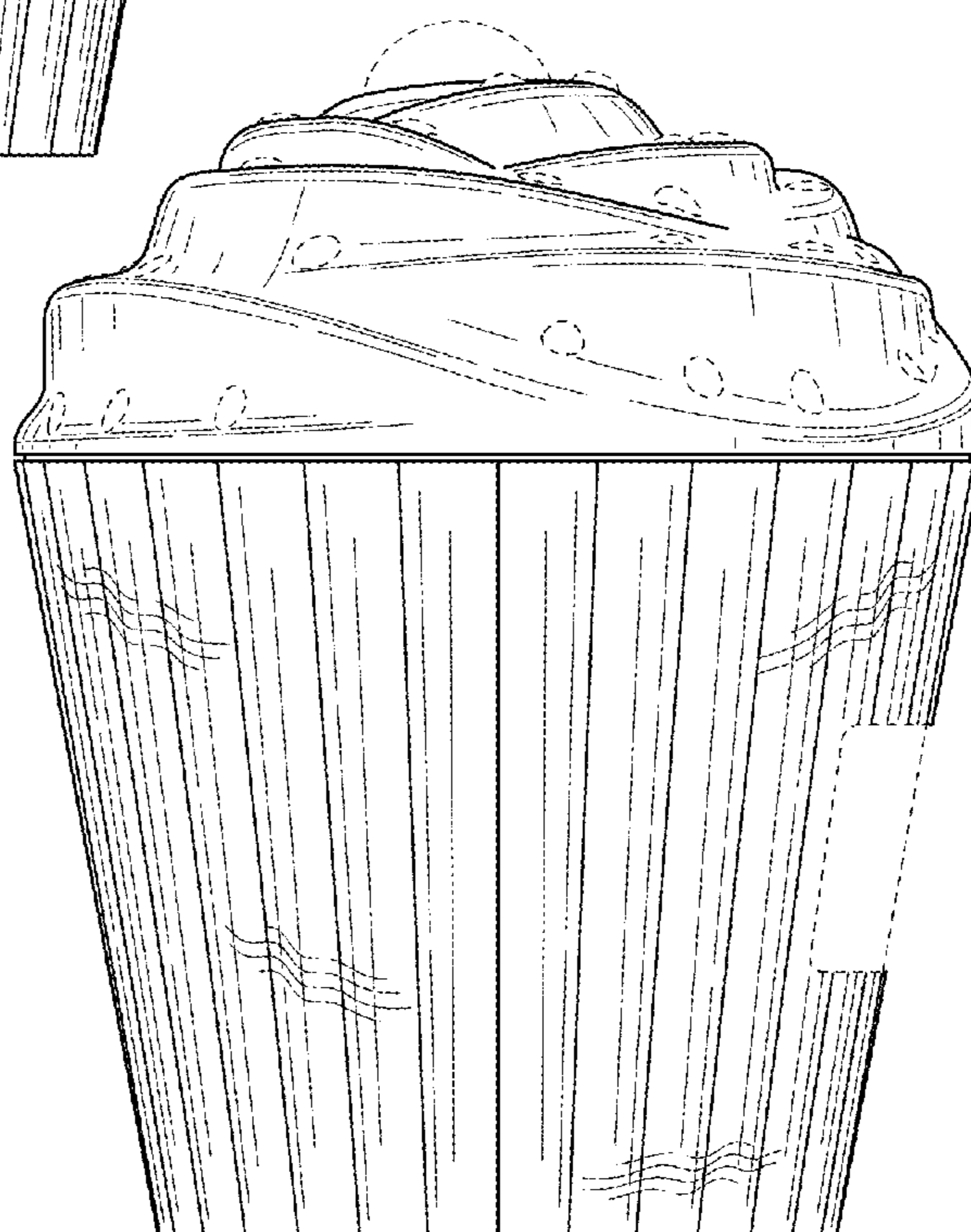


FIG. 5



FIG. 6

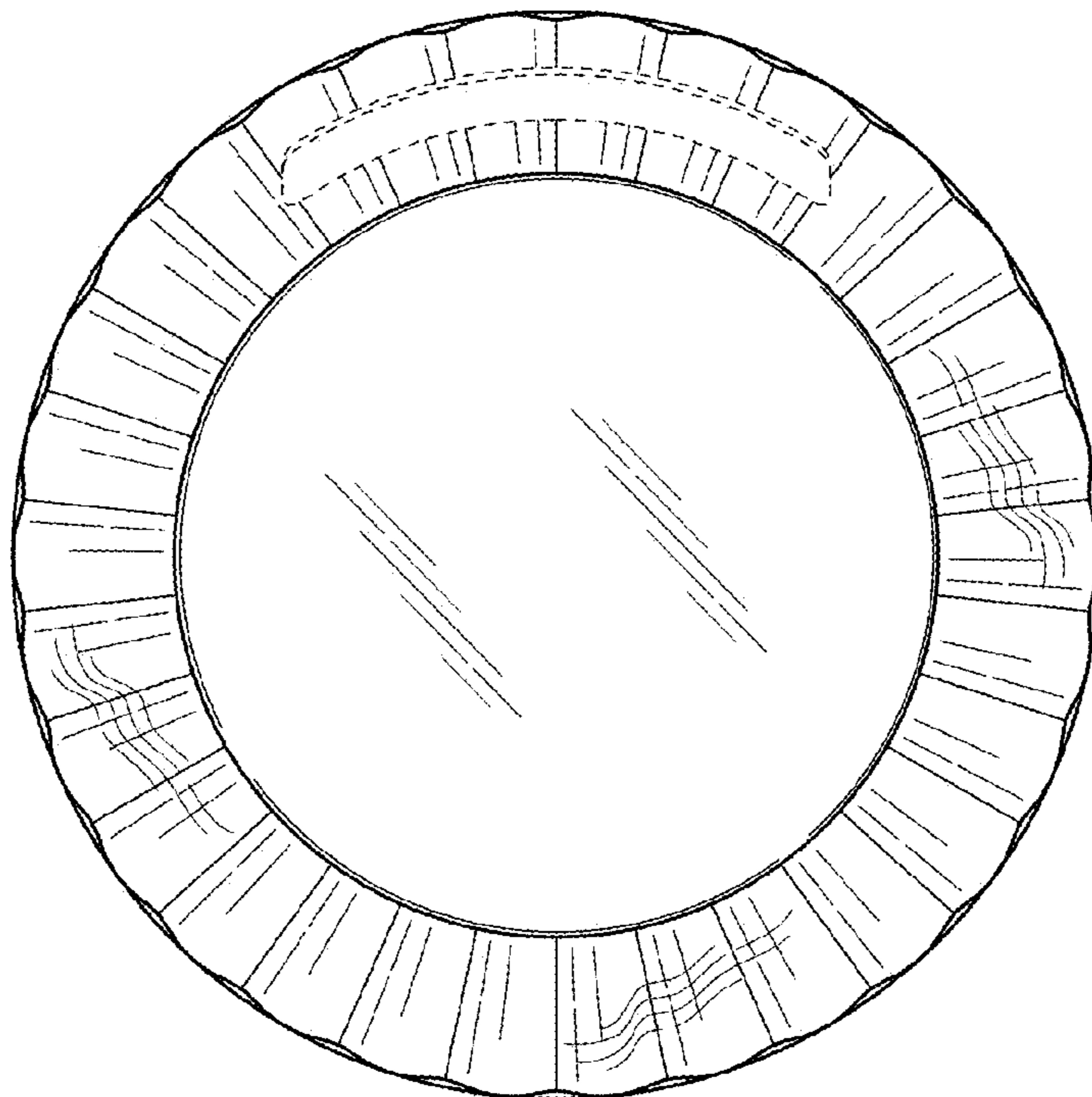


FIG. 7

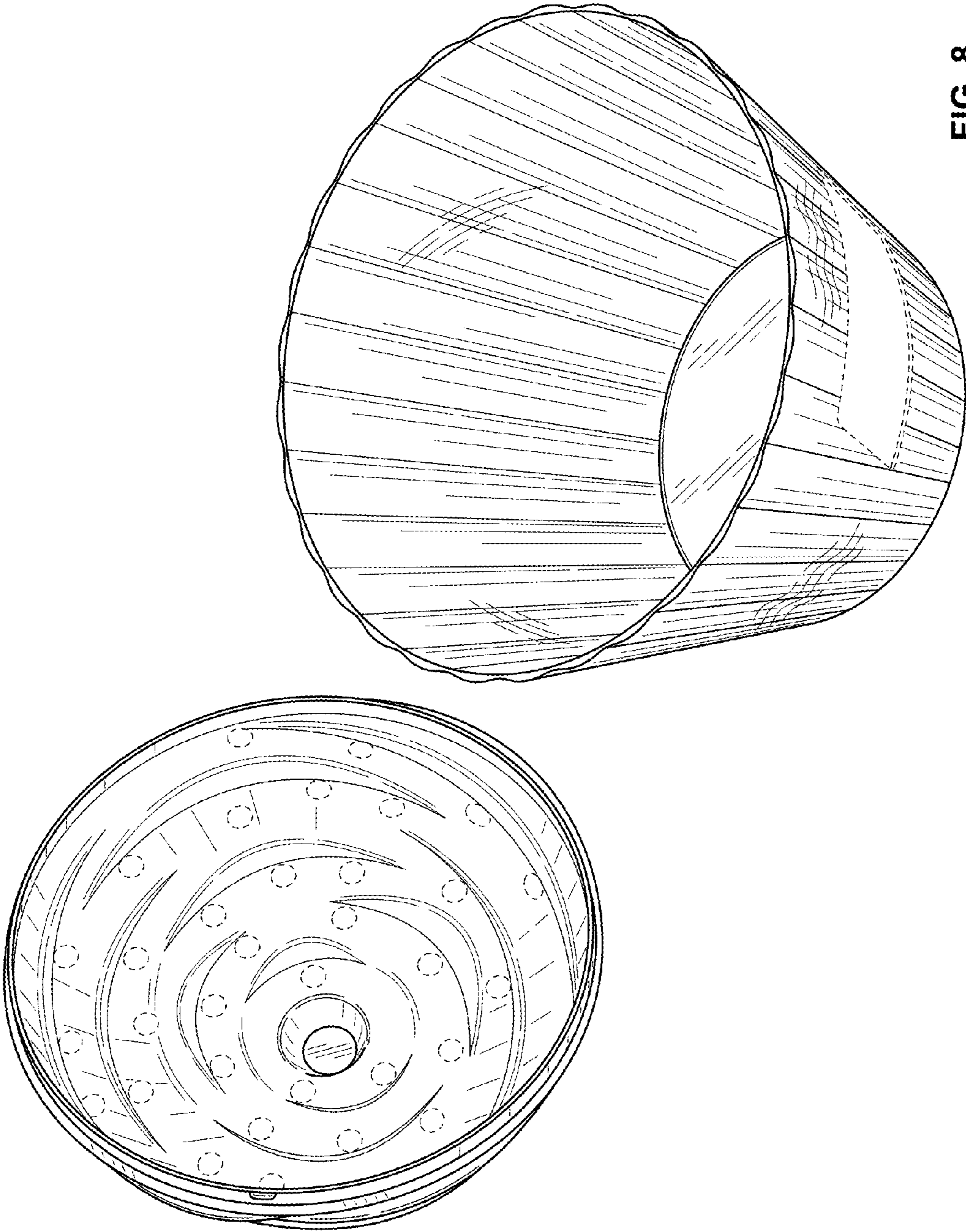


FIG. 8