

US00D698609S

(12) **United States Design Patent**
Duvigneau

(10) **Patent No.:** **US D698,609 S**

(45) **Date of Patent:** **** Feb. 4, 2014**

(54) **CONTAINER**

(71) Applicant: **Curver Luxembourg Sarl**, Neidercorn (LU)

(72) Inventor: **Nikolai Duvigneau**, Zichron Yaacov (IL)

(73) Assignee: **Curver Luxembourg Sarl**, Neidercorn (LU)

(**) Term: **14 Years**

(21) Appl. No.: **29/462,938**

(22) Filed: **Aug. 9, 2013**

Related U.S. Application Data

(62) Division of application No. 29/399,150, filed on Aug. 10, 2011.

Foreign Application Priority Data

Feb. 11, 2011 (EM) 001259949-0026

(51) **LOC (10) Cl.** **07-07**

(52) **U.S. Cl.**
USPC **D7/602**

(58) **Field of Classification Search**
USPC D7/602, 629, 630, 612-615, 538-542,
D7/391-392, 584, 586, 587; 220/780-806,
220/669-673, 675, 574-575, 573.1, 660,
220/260, 326; D9/424-432
See application file for complete search history.

(56) **References Cited**

U.S. PATENT DOCUMENTS

3,424,342	A	*	1/1969	Scopp et al.	220/793
D246,560	S	*	12/1977	Beauchamp et al.	D7/629
D272,505	S	*	2/1984	Daenen et al.	D7/554.3
D530,625	S	*	10/2006	Darin	D9/761
D544,762	S	*	6/2007	Zimmerman	D7/629
D574,179	S	*	8/2008	DeLuca	D7/354
D588,859	S	*	3/2009	Simon et al.	D7/354
D618,516	S	*	6/2010	DiPietro et al.	D7/629
D631,299	S	*	1/2011	Samartgis	D7/602
D660,095	S	*	5/2012	Kyung	D7/629
2008/0203092	A1	*	8/2008	Stamper et al.	220/203.01

* cited by examiner

Primary Examiner — Terry Wallace

(74) *Attorney, Agent, or Firm* — Nath, Goldberg & Meyer; Jerald L. Meyer; Scott C. Langford

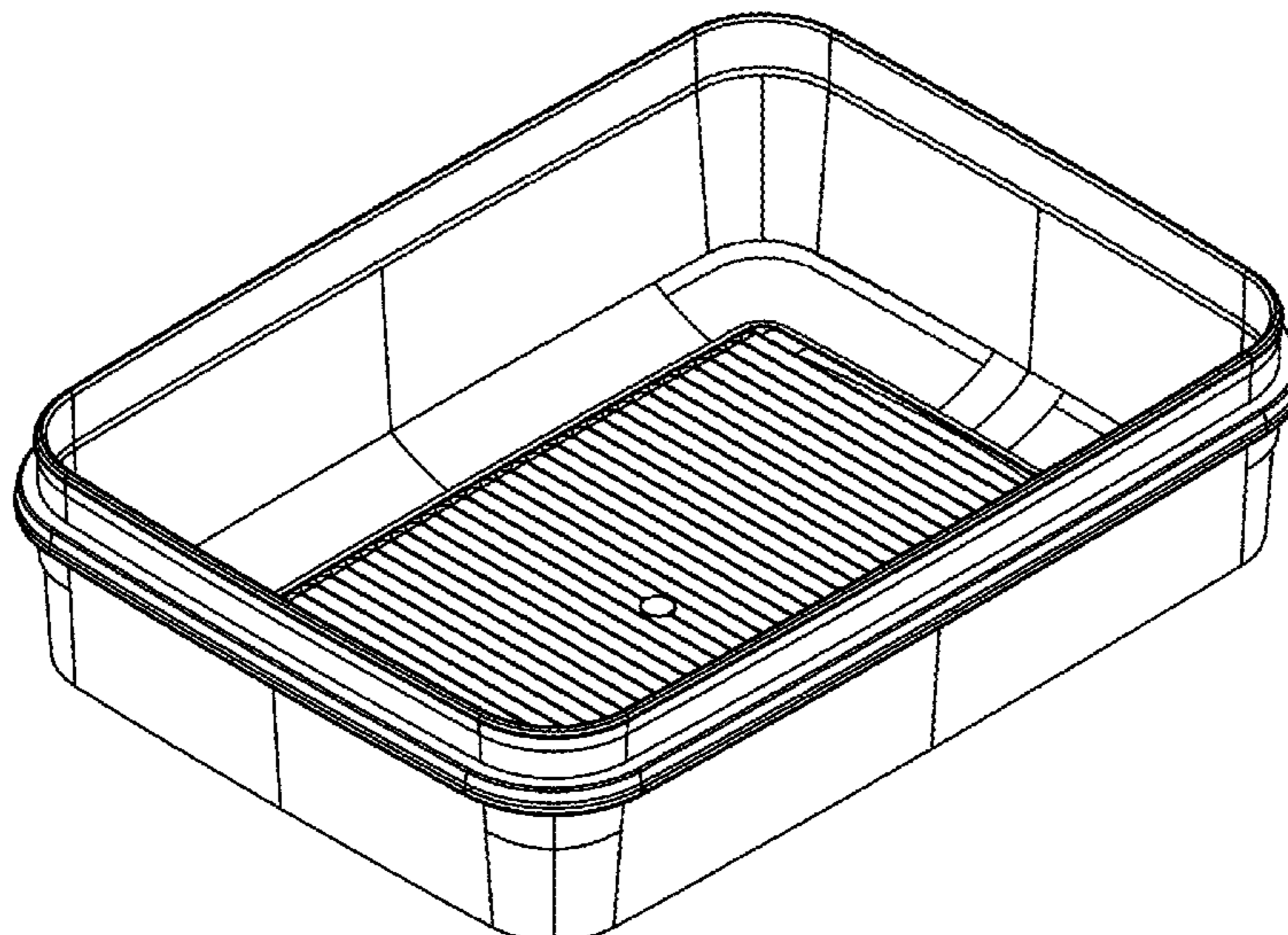
(57) **CLAIM**

The ornamental design for a container, as shown and described.

DESCRIPTION

FIG. 1 is a top perspective view of a container;
FIG. 2 is a front elevational view of the container as seen in FIG. 1, with the rear elevational view being identical;
FIG. 3 is a right elevational view of the container as seen in FIG. 1, with the left elevational view being identical;
FIG. 4 is a top planar view of the container as seen in FIG. 1; and,
FIG. 5 is a bottom planar view of the container as seen in FIG. 1.

1 Claim, 5 Drawing Sheets



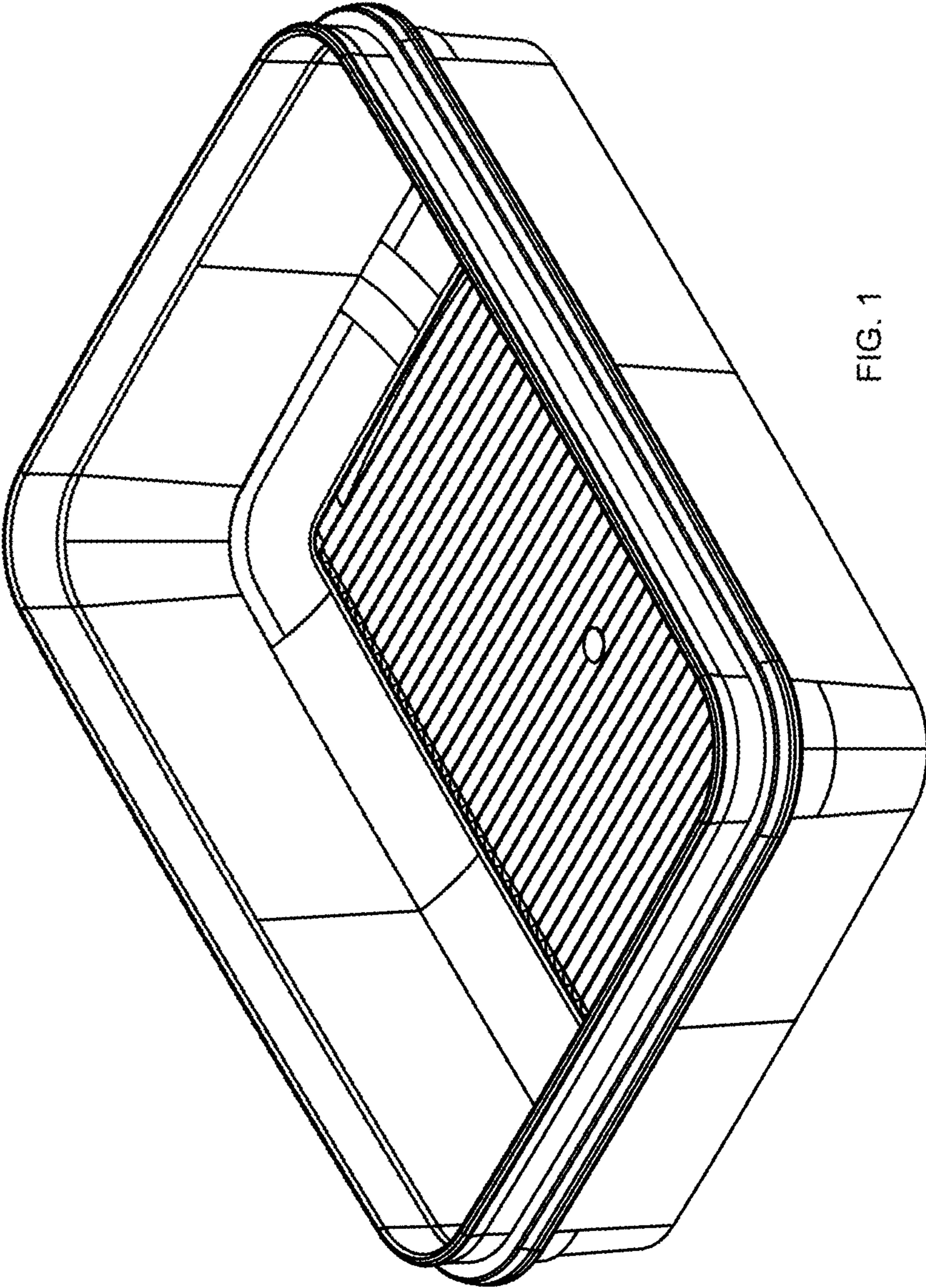


FIG. 1

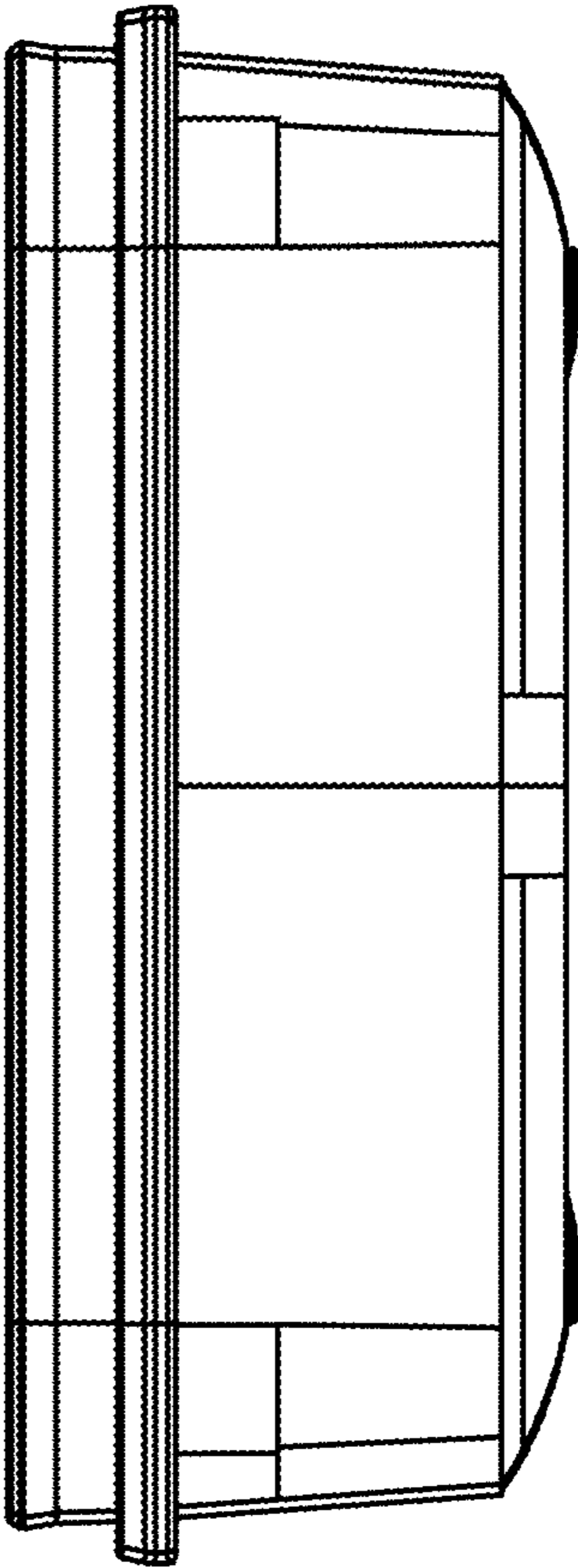


FIG. 2

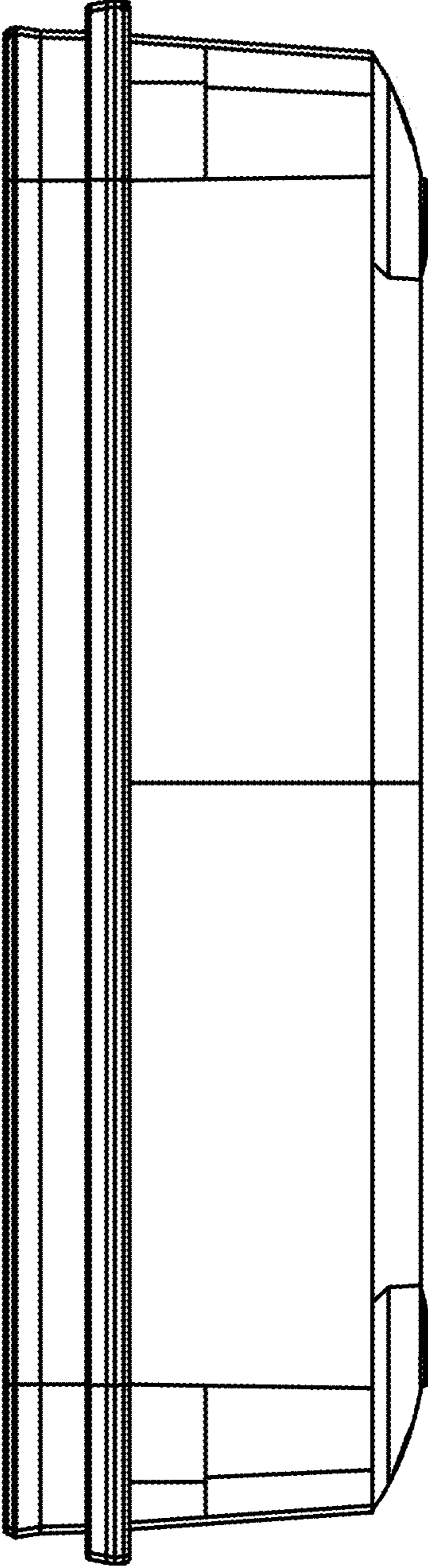


FIG. 3

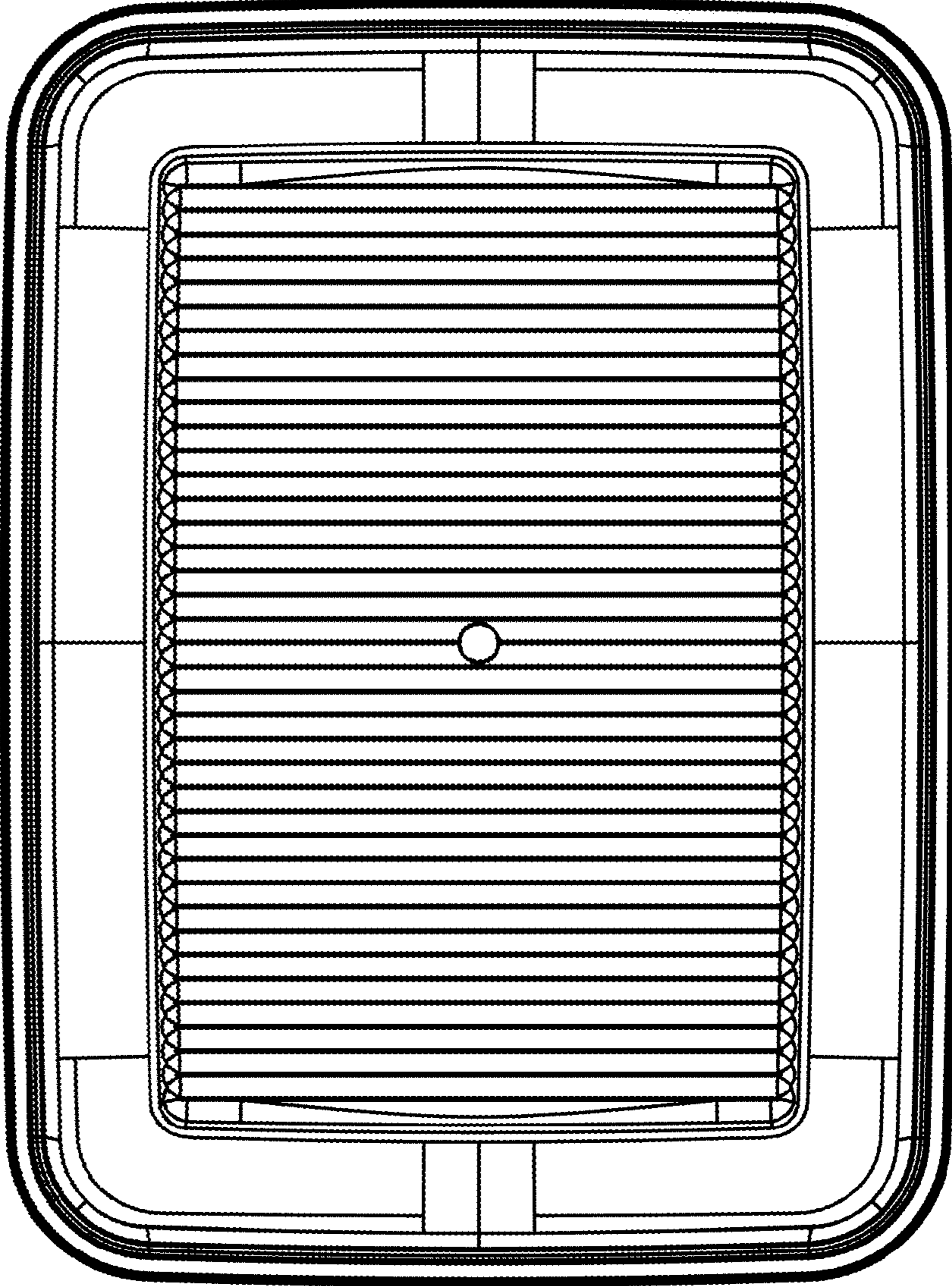


FIG. 4

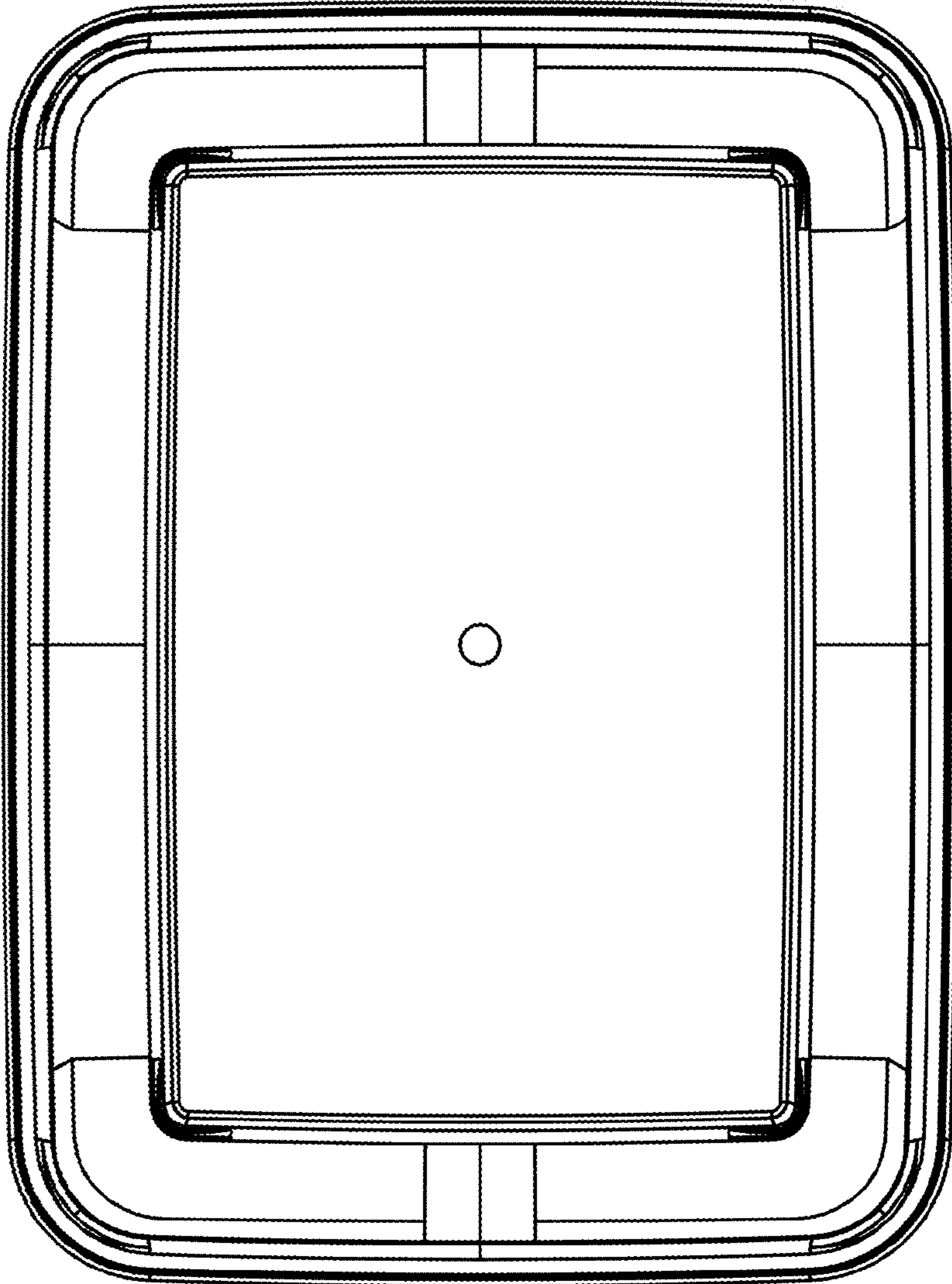


FIG. 5