

US00D698608S

(12) **United States Design Patent**
Renz et al.

(10) **Patent No.:** **US D698,608 S**
(45) **Date of Patent:** **** Feb. 4, 2014**

- (54) **CONTAINER**
- (75) Inventors: **Charles Renz**, Briarcliff Manor, NY (US); **Matthew Esecson**, Kailua, HI (US); **William Wear**, Amherst, MA (US)
- (73) Assignee: **Eveready Battery Company, Inc.**, St. Louis, MO (US)
- (**) Term: **14 Years**
- (21) Appl. No.: **29/427,532**
- (22) Filed: **Jul. 19, 2012**
- (51) **LOC (10) Cl.** **77-07**
- (52) **U.S. Cl.**
USPC **D7/602**
- (58) **Field of Classification Search**
USPC D7/602, 629, 555, 557, 584-586;
220/669-673, 675, 574-575, 573.1,
220/660, 260, 288, 780-806, 326, 236,
220/4.21, 4.24; D9/751, 755, 761
See application file for complete search history.

6,367,670	B1	4/2002	Warner et al.	
6,405,885	B1	6/2002	Elliott	
6,497,344	B1	12/2002	Dial	
D476,892	S	7/2003	Martin et al.	
D483,999	S	* 12/2003	Beachum et al. D7/553.6
6,820,767	B2	11/2004	Nicholas	
6,935,543	B2	8/2005	DeGroot et al.	
D530,202	S	10/2006	Herald et al.	
7,121,438	B2	10/2006	Hopener et al.	
D588,915	S	3/2009	Lohrman et al.	
D602,785	S	10/2009	Rothberg et al.	
D613,552	S	4/2010	Woog	
D618,063	S	6/2010	Davies et al.	
D628,887	S	12/2010	Groubert et al.	
D628,890	S	12/2010	Groubert et al.	
7,870,980	B2	1/2011	Wilson et al.	
D634,198	S	3/2011	Groubert et al.	
D672,615	S	* 12/2012	Stamper et al. D7/602
D673,009	S	* 12/2012	Stamper et al. D7/602
2009/0101646	A1	4/2009	Paul et al.	
2009/0242564	A1	10/2009	Danks et al.	

FOREIGN PATENT DOCUMENTS

CH 619413 A5 9/1980

* cited by examiner

Primary Examiner — Terry Wallace

(74) *Attorney, Agent, or Firm* — Playtex Products LLC

(57) **CLAIM**

We claim the ornamental design for the container, as shown and described.

DESCRIPTION

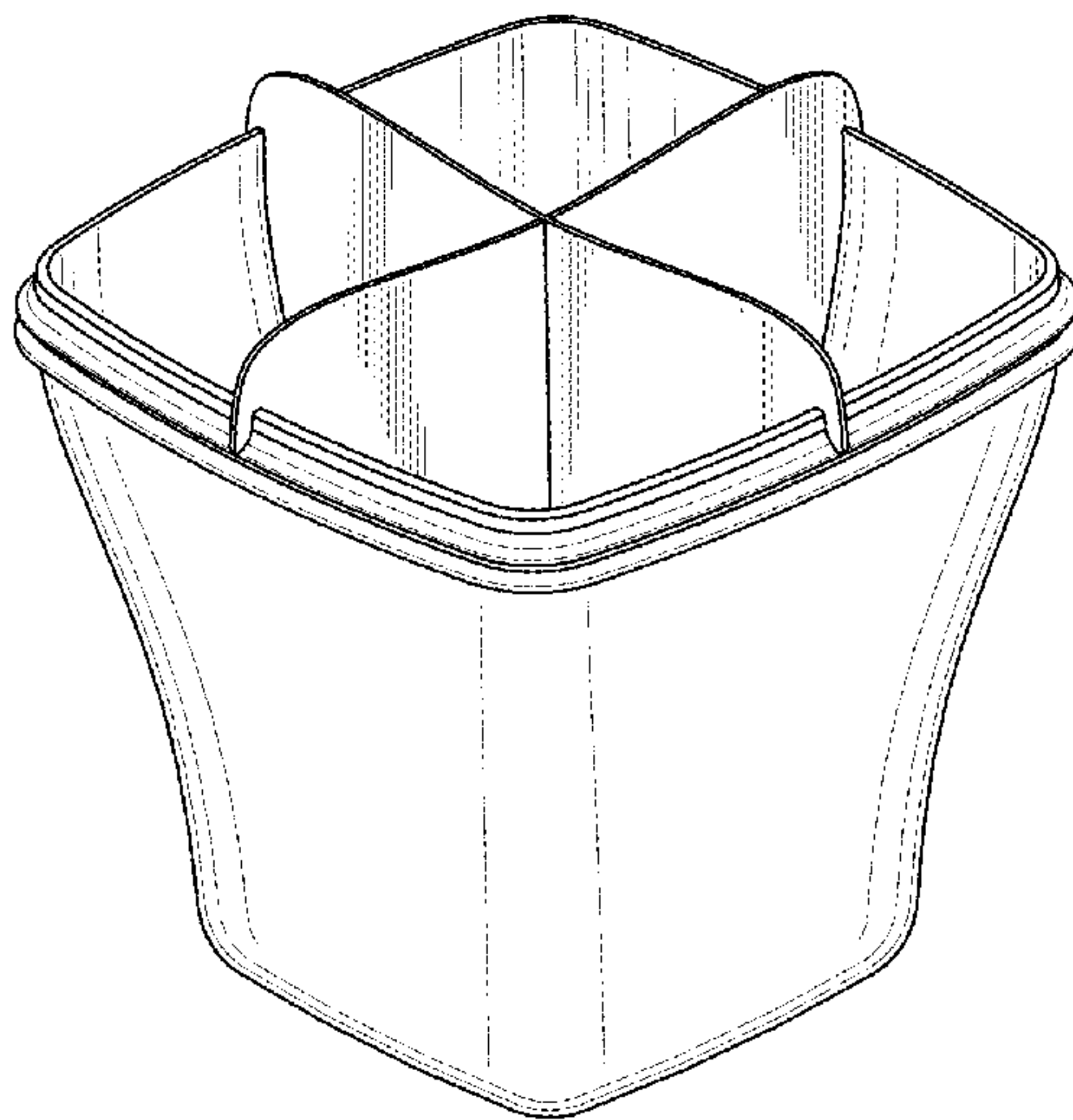
FIG. 1 is an upper perspective view of a container.
 FIG. 2 is a bottom perspective view thereof.
 FIG. 3 is a top view thereof.
 FIG. 4 is a bottom view thereof.
 FIG. 5 is a left side view thereof.
 FIG. 6 is a right side view of FIG. 5.
 FIG. 7 is a front view of FIG. 5; and,
 FIG. 8 is a rear view of FIG. 5.

1 Claim, 5 Drawing Sheets

(56) **References Cited**

U.S. PATENT DOCUMENTS

2,540,931	A	2/1951	Carvalho	
D162,579	S	3/1951	Roop	
D190,450	S	5/1961	Sanchez	
3,142,422	A	7/1964	Mojonnier	
3,209,961	A	10/1965	Wassell	
3,547,303	A	12/1970	Mascia et al.	
D224,554	S	* 8/1972	Swett D7/629
4,387,819	A	6/1983	Corsette	
D271,555	S	11/1983	Daenen et al.	
4,488,667	A	12/1984	Swett et al.	
5,441,164	A	* 8/1995	Beck et al. 220/575
5,794,299	A	8/1998	Gockel et al.	
5,890,627	A	4/1999	Storey	
D424,379	S	5/2000	Kim	
D436,040	S	1/2001	Warner et al.	
6,244,439	B1	6/2001	Dennis	
6,338,414	B1	1/2002	Shellenbach	



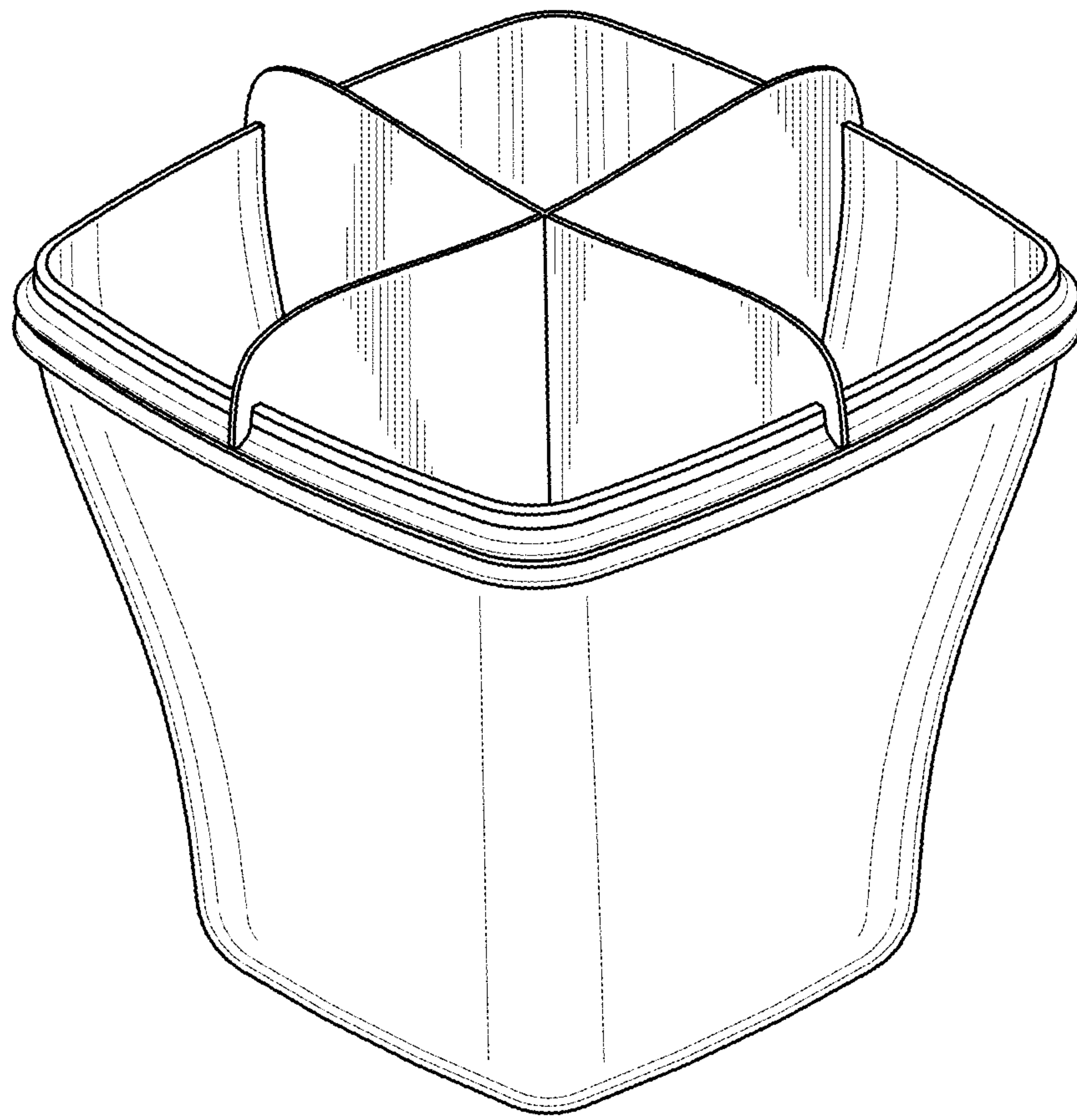


FIG. 1

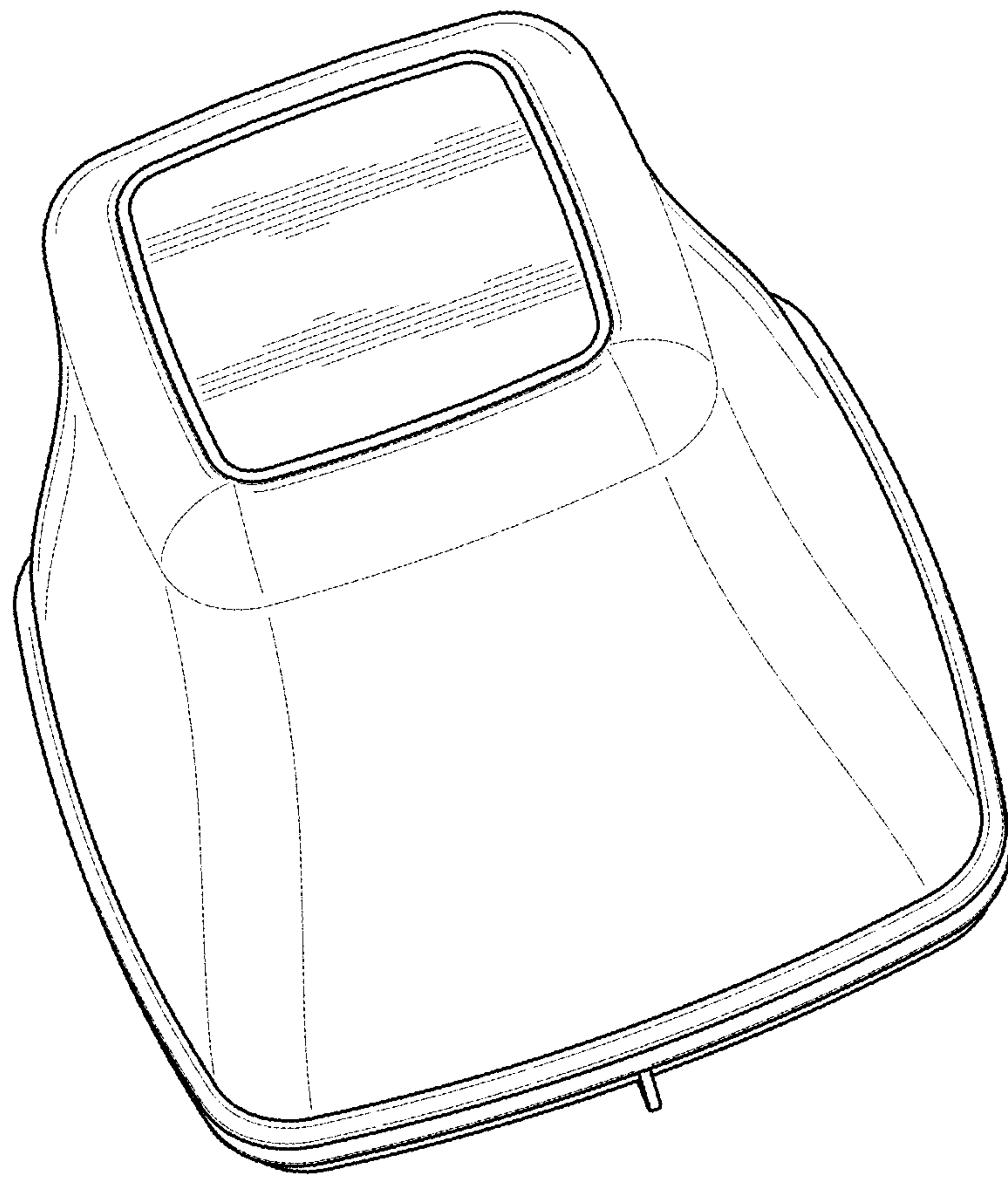


FIG. 2

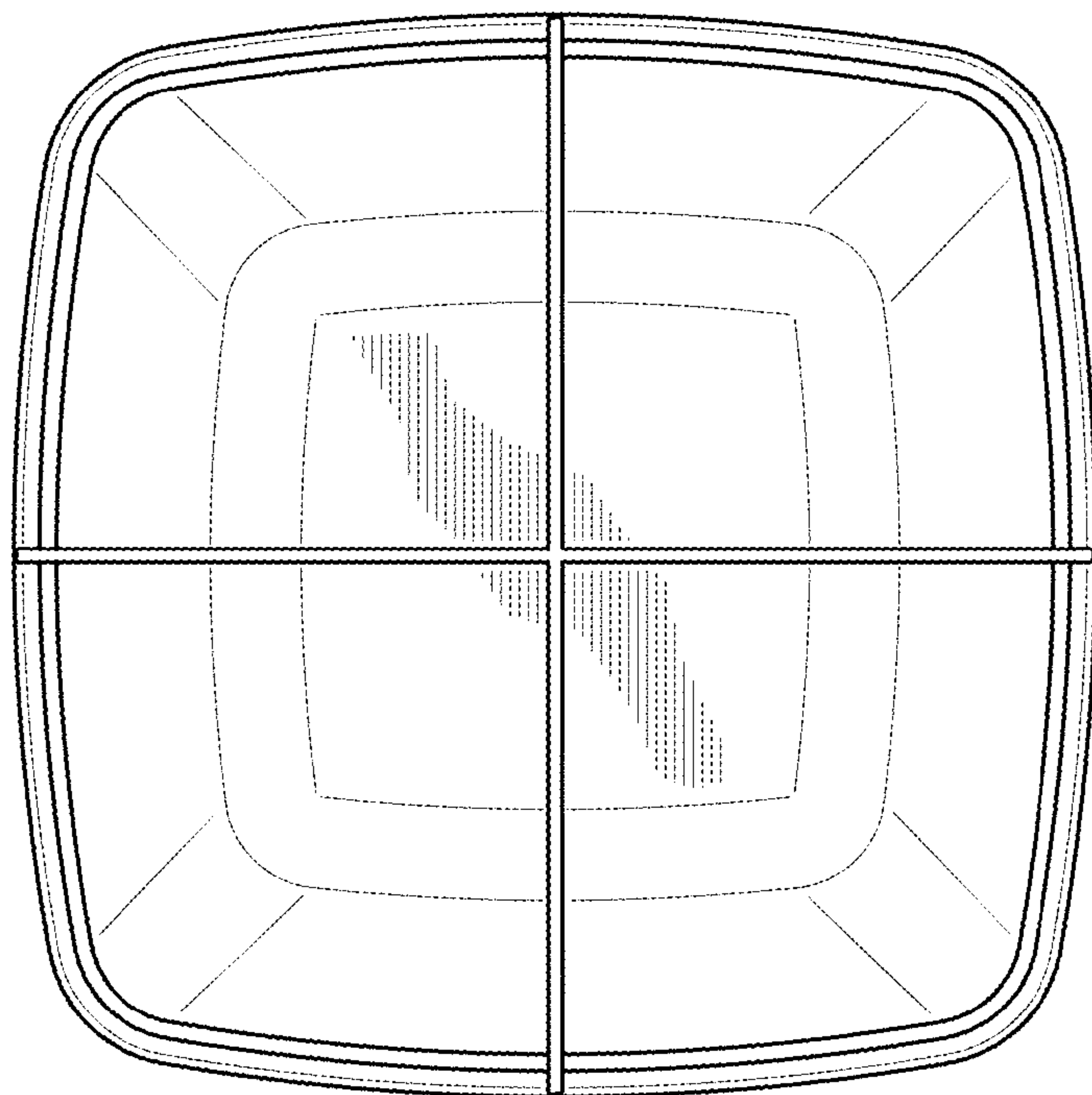


FIG. 3

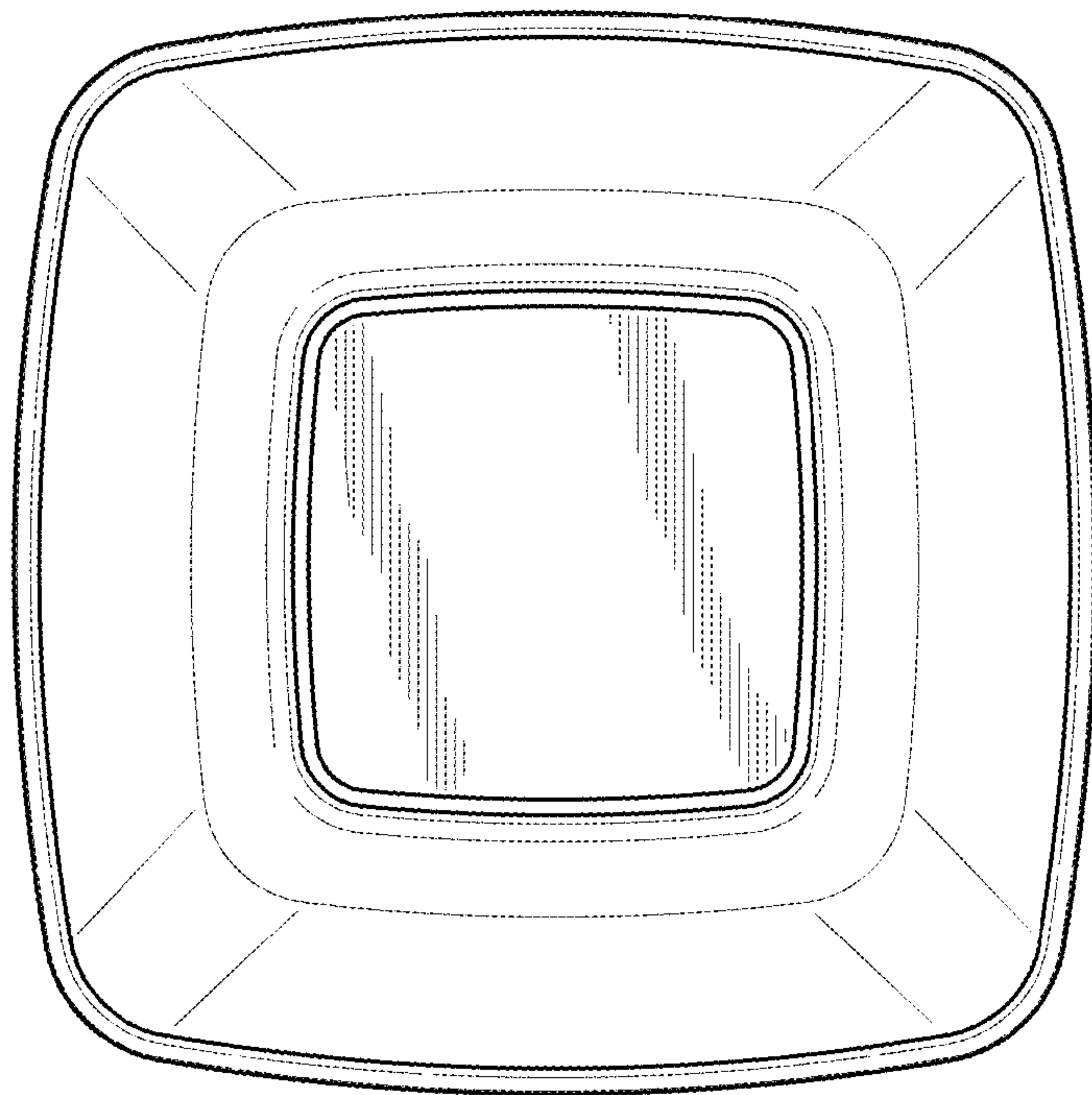


FIG. 4

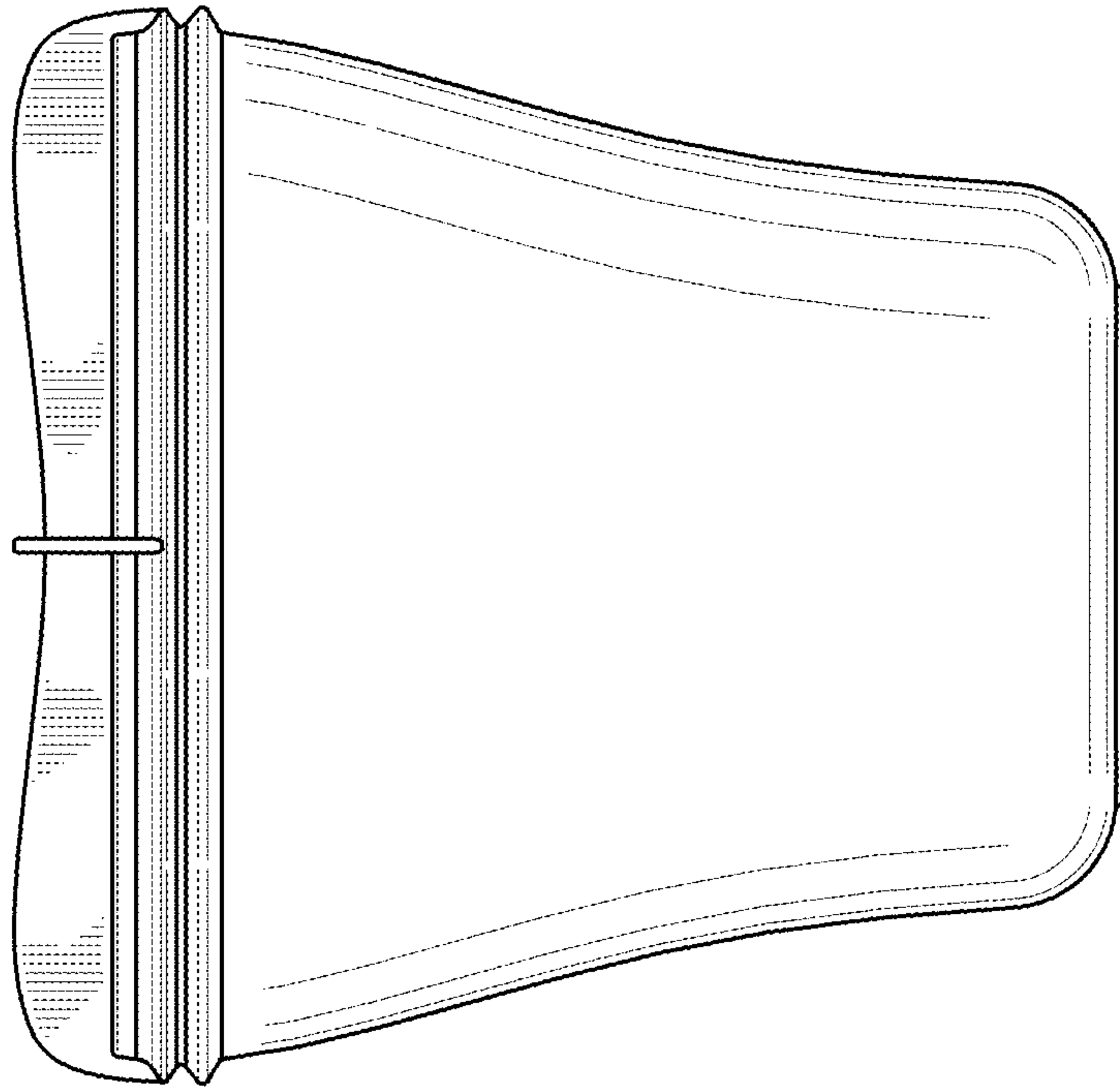


FIG. 6

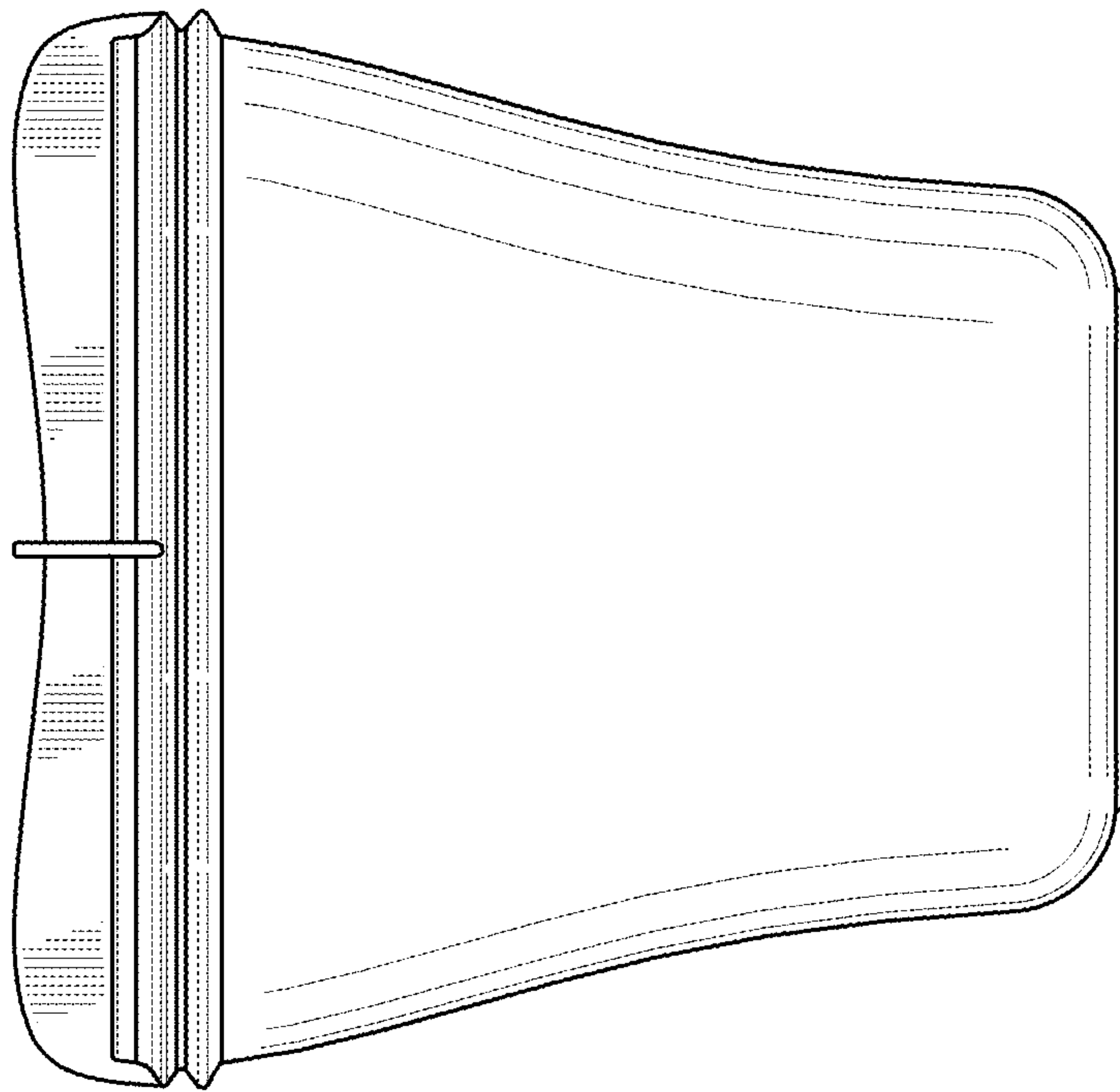


FIG. 5

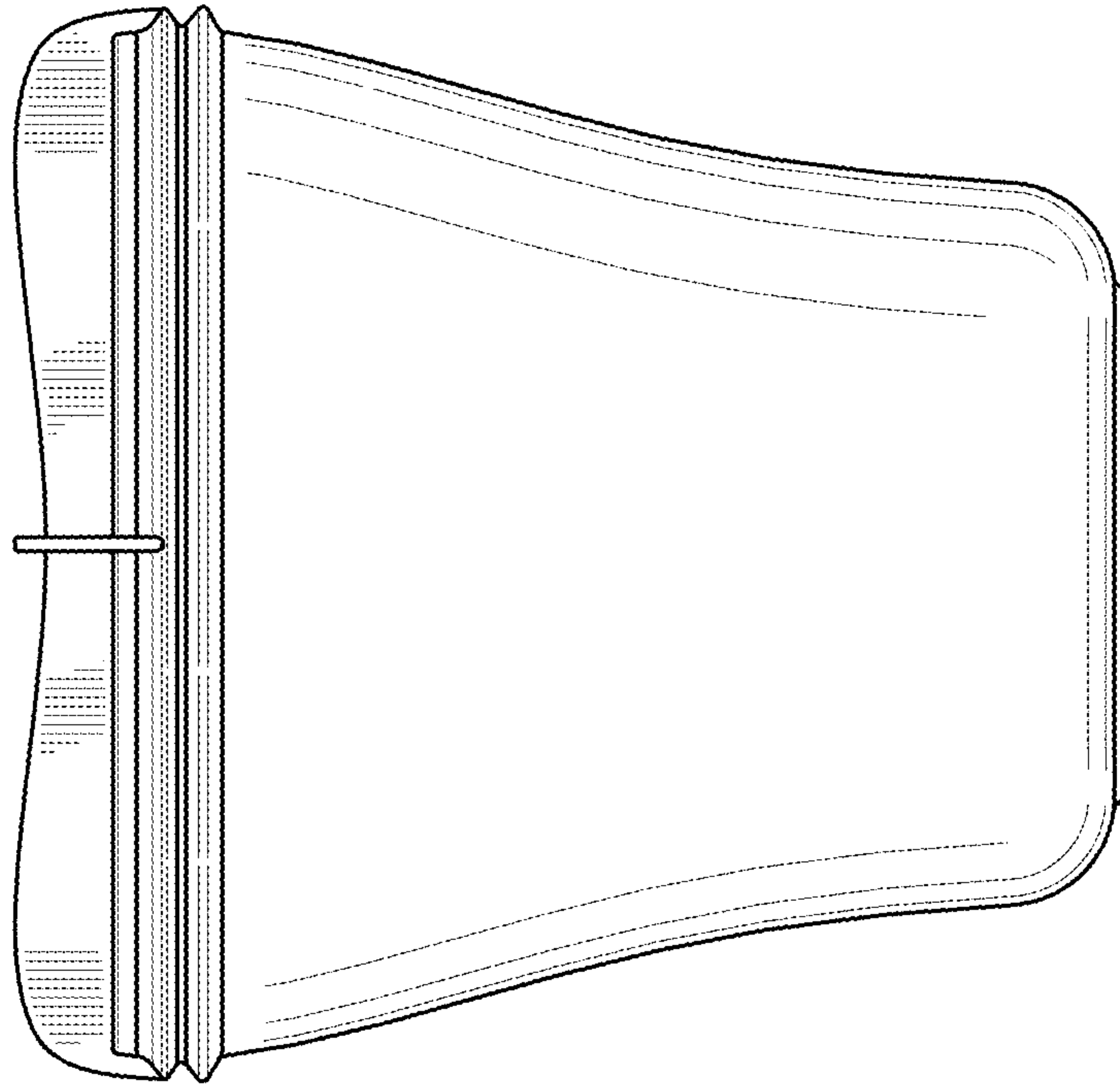


FIG. 8

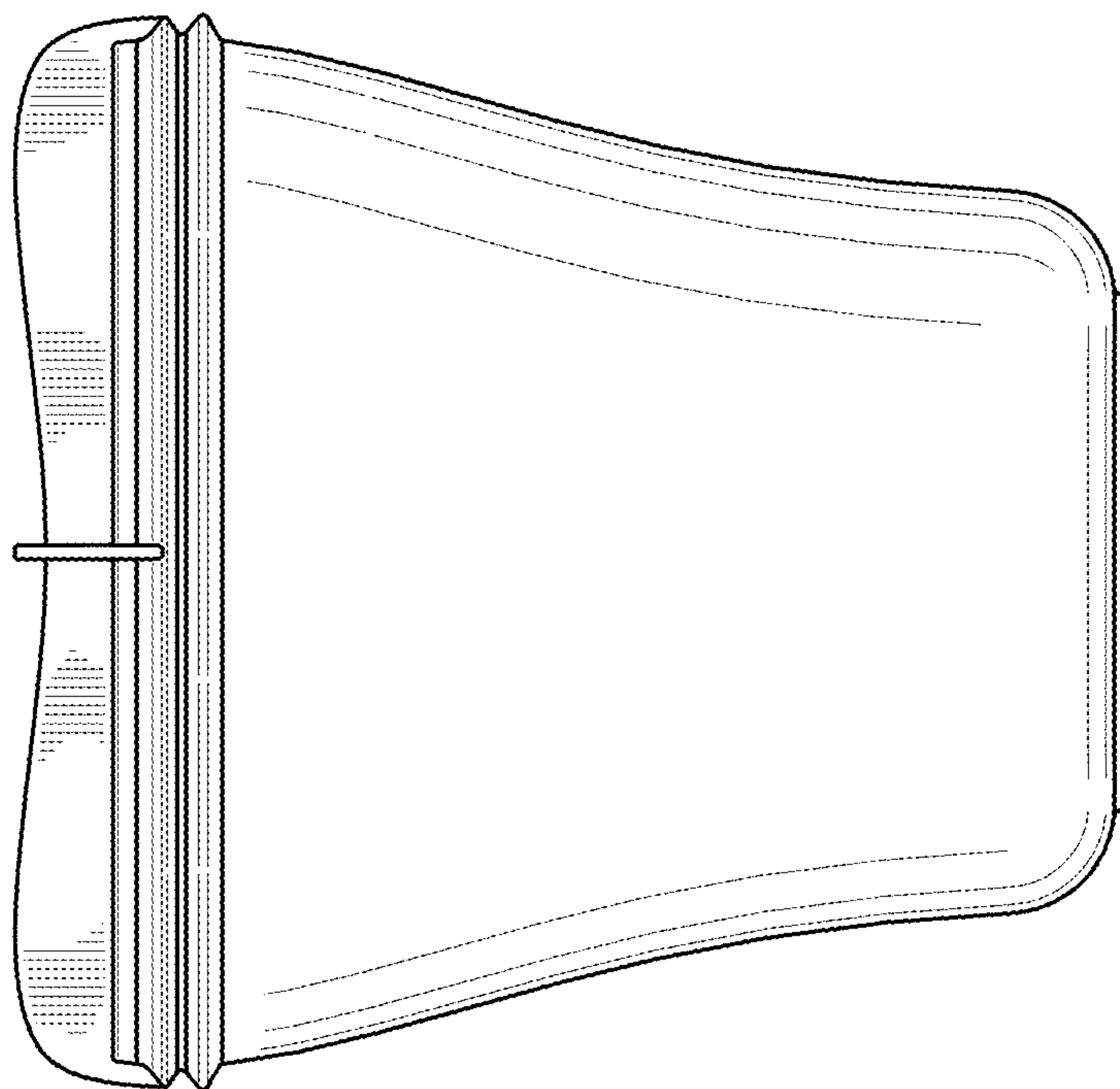


FIG. 7