



US00D698606S

(12) **United States Design Patent**
Tsai

(10) **Patent No.:** **US D698,606 S**
(45) **Date of Patent:** **** Feb. 4, 2014**

(54) **CUP HOLDER**

(71) Applicant: **Dongguan Master United Plastic & Hardware Products Co., Ltd.,**
Dongguan (CN)

(72) Inventor: **Tsung-Yu Tsai,** Changhua (TW)

(73) Assignee: **Dongguan Master United Plastic & Hardware Products Co., Ltd.,**
Dongguan, Guandong Province (CN)

(**) Term: **14 Years**

(21) Appl. No.: **29/437,205**

(22) Filed: **Nov. 14, 2012**

(51) **LOC (10) Cl.** **07-06**

(52) **U.S. Cl.**
USPC **D7/600.2**

(58) **Field of Classification Search**
USPC D7/600.1–600.4, 590, 600, 602, 603,
D7/619.1, 701–708; D6/403, 405,
D6/512–517, 521, 525, 526, 527, 534, 537,
D6/539, 552, 557, 566, 570, 571, 572, 672,
D6/673, 674, 675, 675.1, 675.2, 675.3,
D6/677, 677.1, 676.5, 677.2, 675.5, 677.3,
D6/677.5, 678.4, 680, 680.2, 680.3, 681;
211/14, 59.2, 70.6, 70.7, 71.01, 74, 75,
211/77, 78, 85.26, 85.4, 85.5, 106, 126.7,
211/129.1, 131.1, 133.1, 133.2, 133.4,
211/133.5, 133.6; D9/739, 741, 744, 747;
220/23.83, 23.88; 221/92, 221, 223,
221/224, 225, 197, 283, 303, 305, 46
See application file for complete search history.

(56) **References Cited**

U.S. PATENT DOCUMENTS

D76,662 S * 10/1928 Buchenau et al. D6/455
D90,492 S * 8/1933 Levinsohn D6/462

D110,304 S * 6/1938 Knipple et al. D6/408
D153,090 S * 3/1949 Sexton D7/704
D175,057 S * 6/1955 Winzen D6/397
2,797,013 A * 6/1957 Powell 220/488
2,946,456 A * 7/1960 Liguori 211/77
D222,008 S * 9/1971 Ivory D6/458
D245,048 S * 7/1977 Pool D6/455
D297,198 S * 8/1988 Liebe et al. D7/590
4,842,149 A * 6/1989 Vining 211/59.2
D332,191 S * 1/1993 Axhamre D6/458
D399,394 S * 10/1998 Rapaz D7/590
D476,502 S * 7/2003 Sparkowski D6/408
D544,308 S * 6/2007 Tiemann D7/590
D586,185 S * 2/2009 Tiemann D7/600.2
D625,570 S * 10/2010 Melocchi D7/704
D626,382 S * 11/2010 Tiemann D7/600.2
D636,639 S * 4/2011 Chen D7/600.1
D637,042 S * 5/2011 Chen D7/600.1
D640,884 S * 7/2011 Tiemann D6/458

(Continued)

Primary Examiner — Ian Simmons

Assistant Examiner — Shannon Morgan

(74) *Attorney, Agent, or Firm* — Muncy, Geissler, Olds & Lowe, PLLC

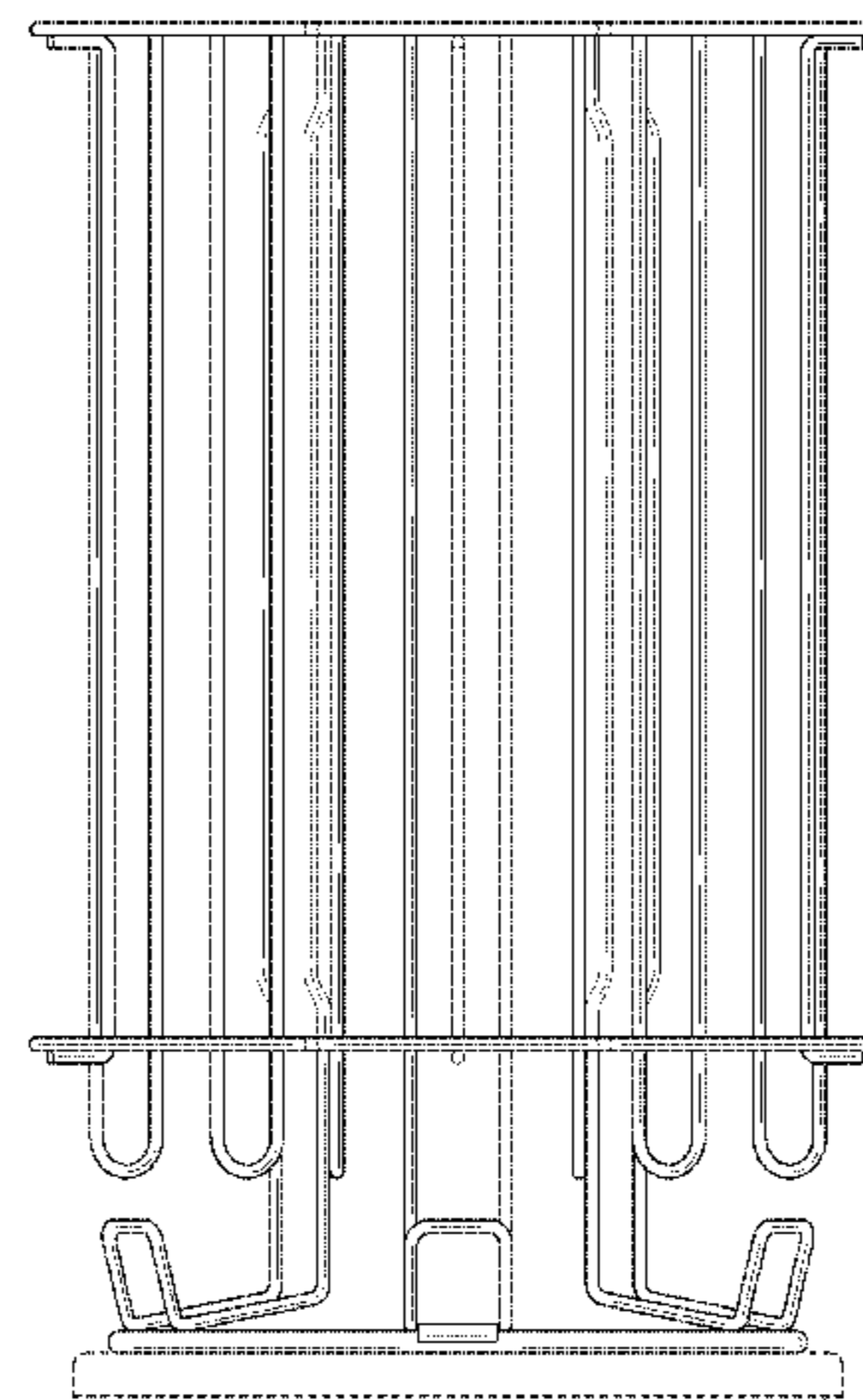
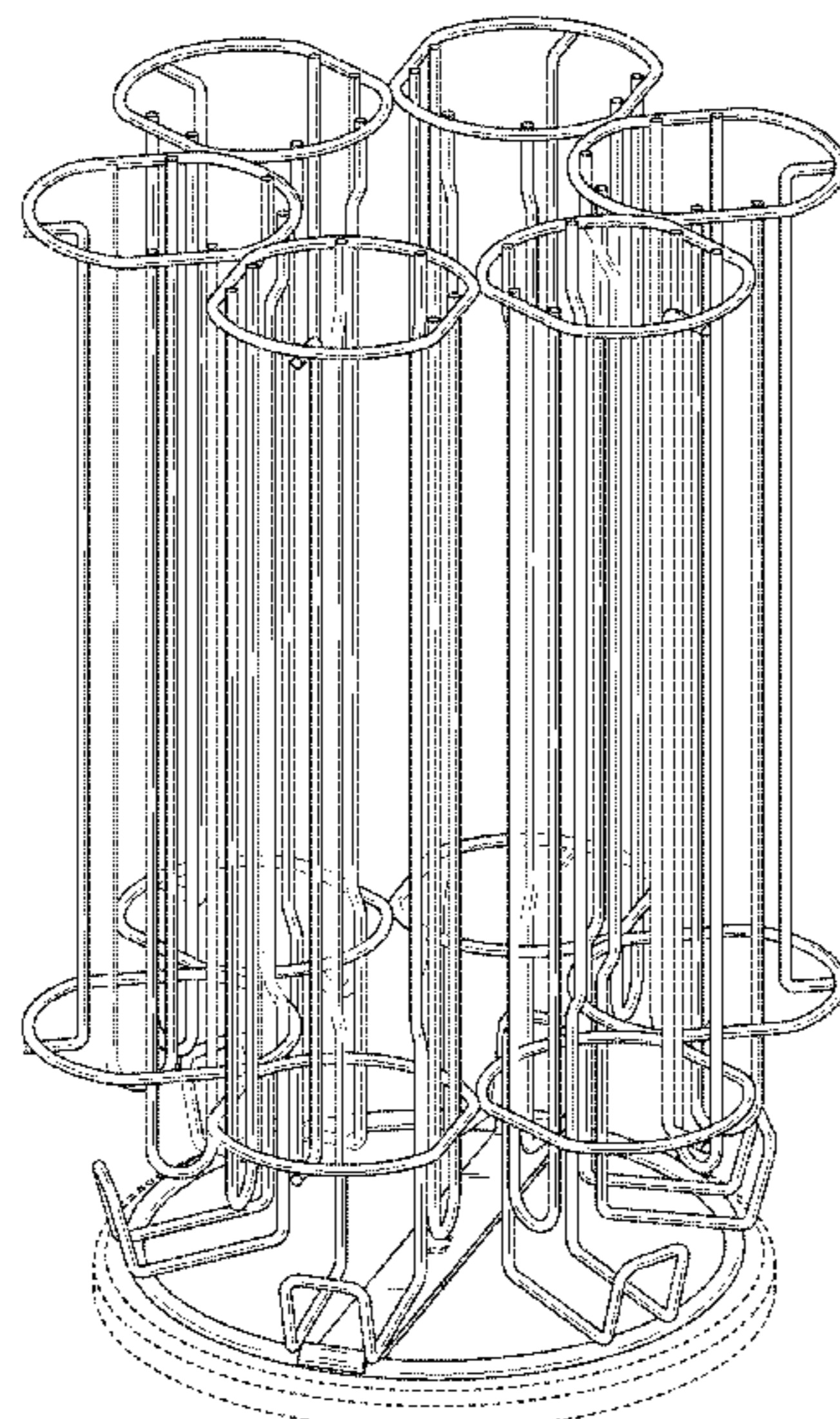
(57) **CLAIM**

The ornamental design for a cup holder, as shown and described.

DESCRIPTION

FIG. 1 is a top, front perspective view of a cup holder showing my new design;
FIG. 2 is a front elevational view thereof;
FIG. 3 is a rear elevational view thereof;
FIG. 4 is a left side elevational view thereof;
FIG. 5 is a right side elevational view thereof;
FIG. 6 is a top plan view thereof; and,
FIG. 7 is a bottom plan view thereof.
The broken lines in FIGS. 1-7 of the cup holder are for the purpose of illustrating environment, and form no part of the claimed design.

1 Claim, 7 Drawing Sheets



US D698,606 S

Page 2

(56)

References Cited

U.S. PATENT DOCUMENTS

D643,684 S * 8/2011 Tiemann D7/600.2
D646,526 S * 10/2011 Chen D7/600.1
D648,600 S * 11/2011 Tiemann D7/600.2
D649,837 S * 12/2011 Chapman et al. D7/600.1

D650,240 S * 12/2011 Hertaus D7/600.2
D651,435 S * 1/2012 Dieudonne et al. D6/515
D673,792 S * 1/2013 Hertaus D6/407
D680,385 S * 4/2013 Hsu D7/600.4
D688,919 S * 9/2013 Tiemann D7/600.4

* cited by examiner

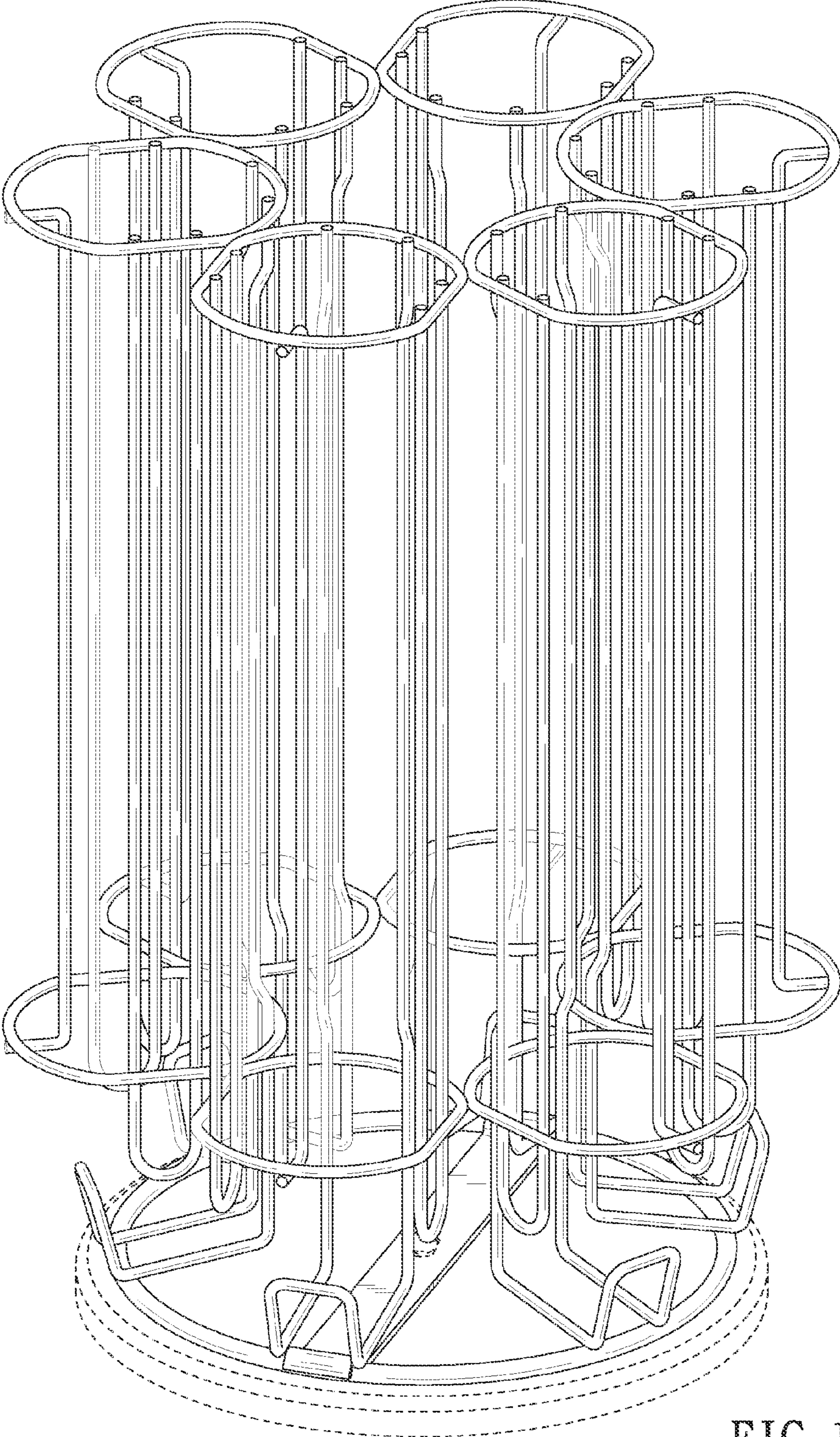


FIG. 1

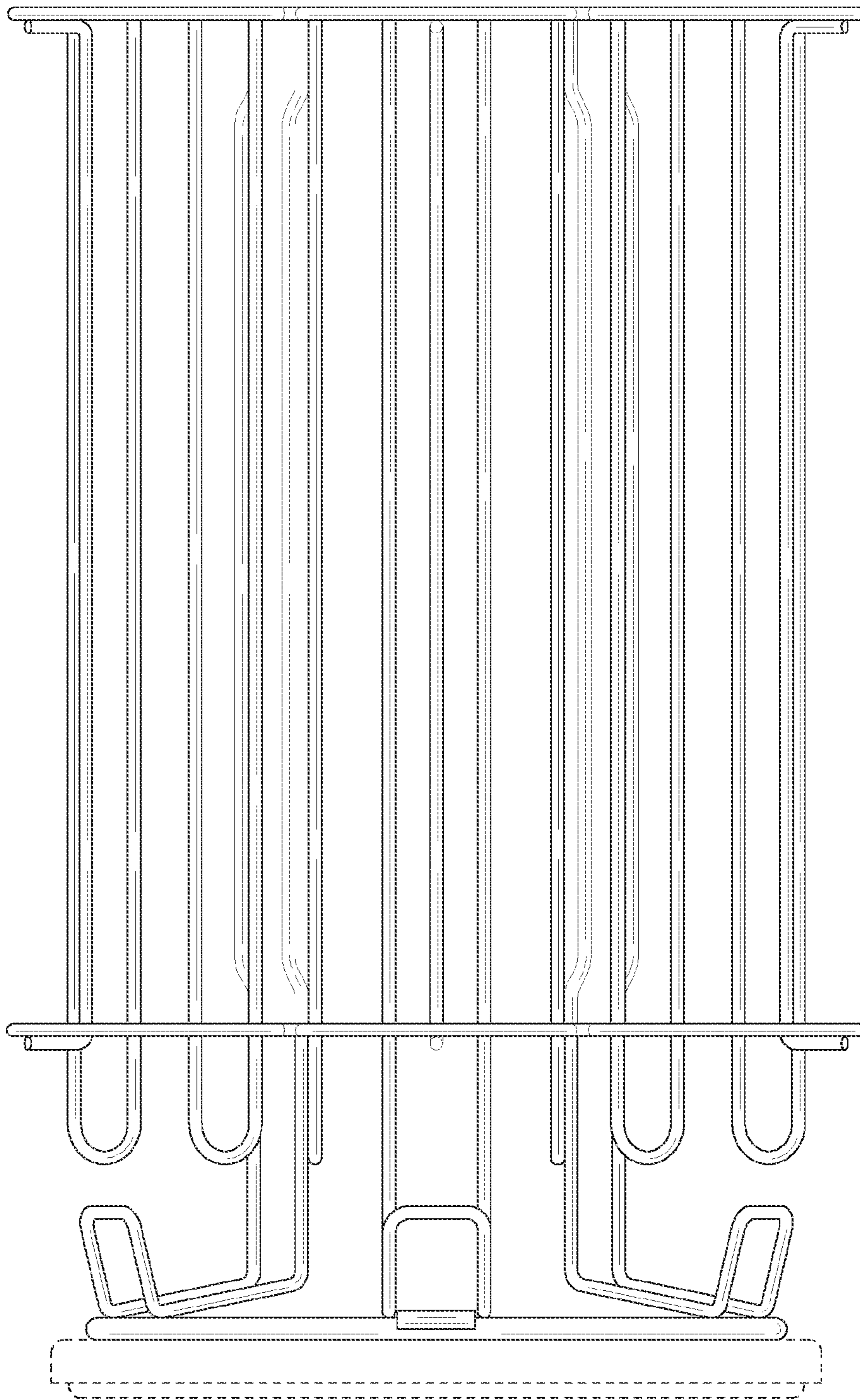


FIG. 2

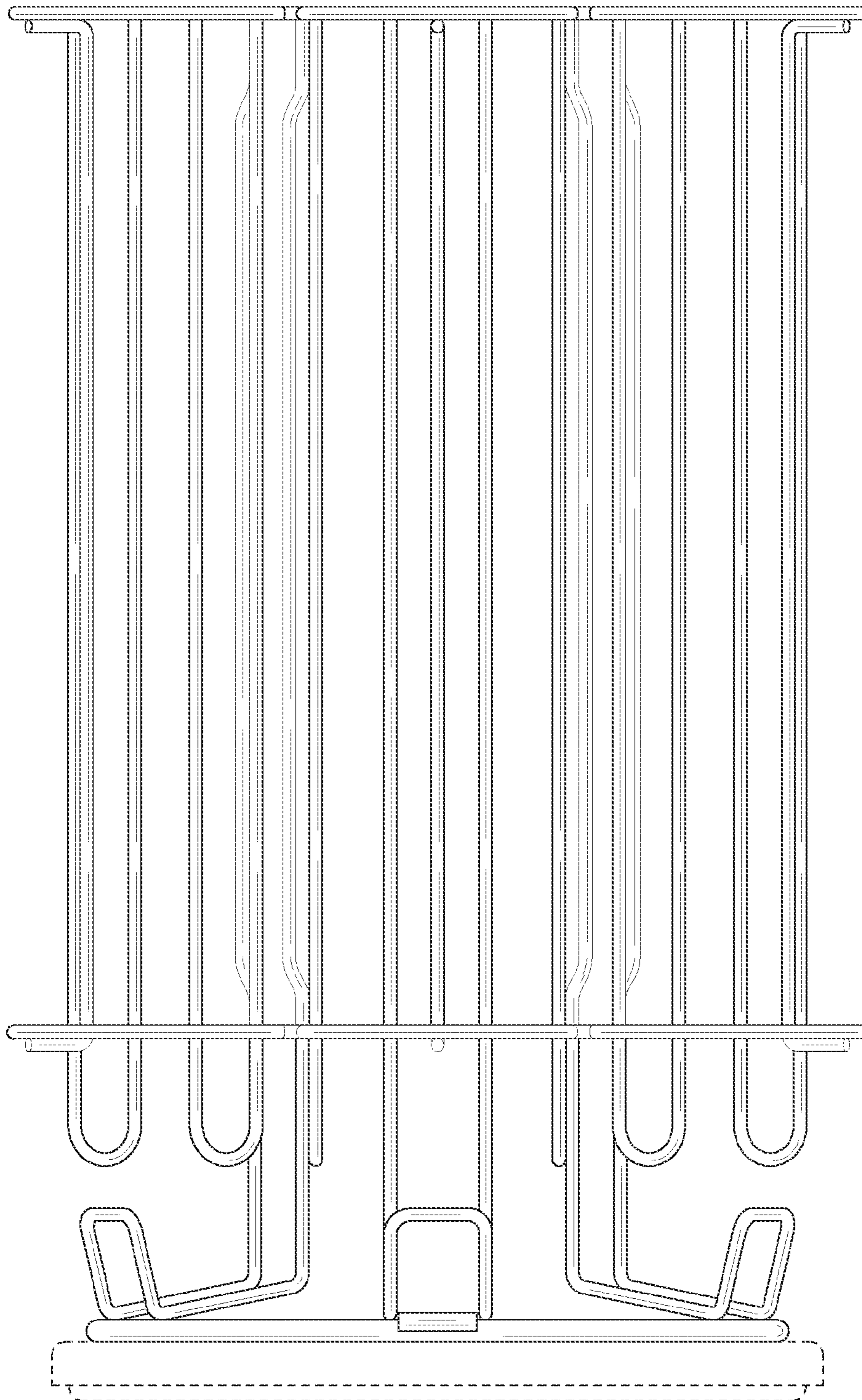


FIG. 3

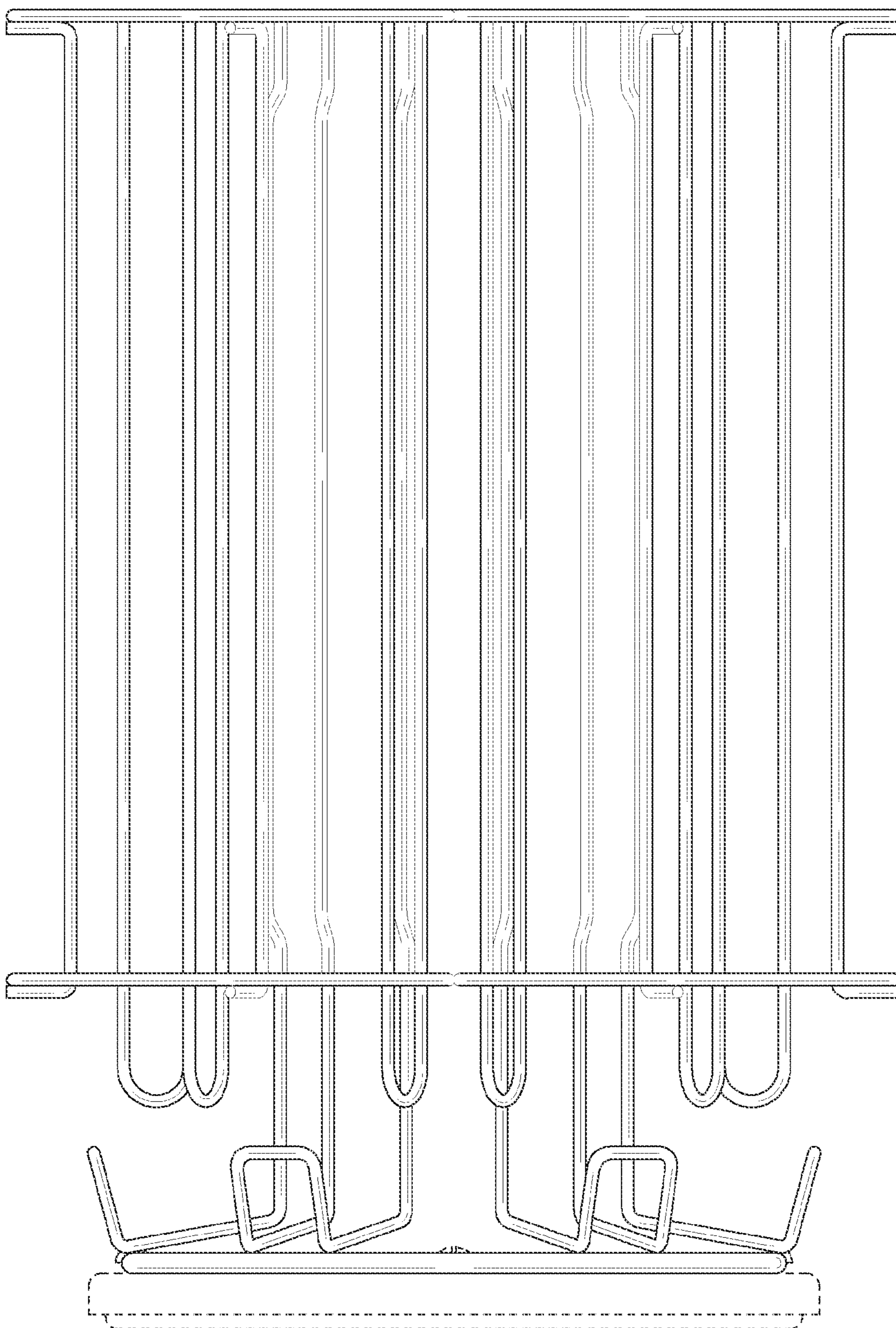


FIG. 4

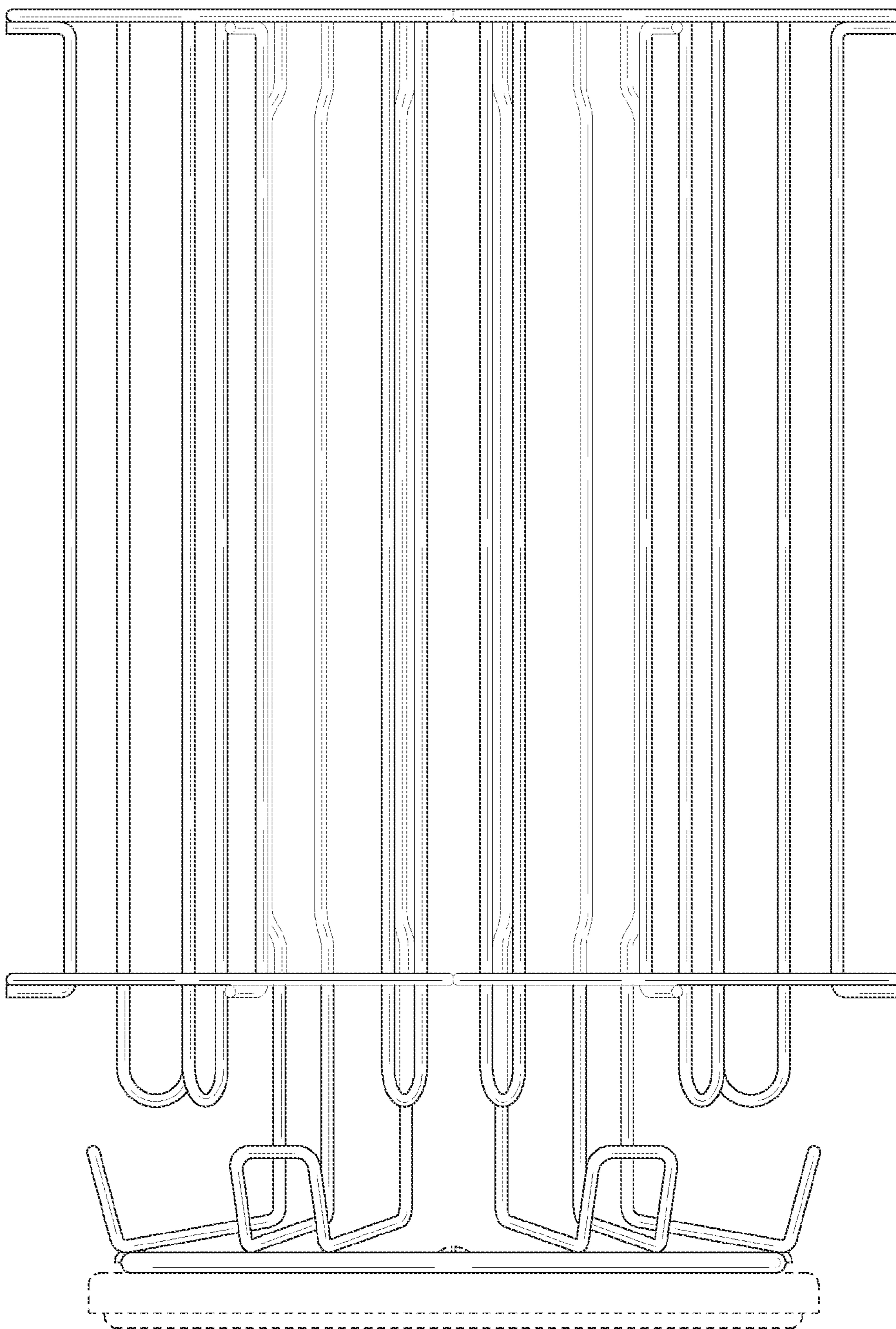


FIG. 5

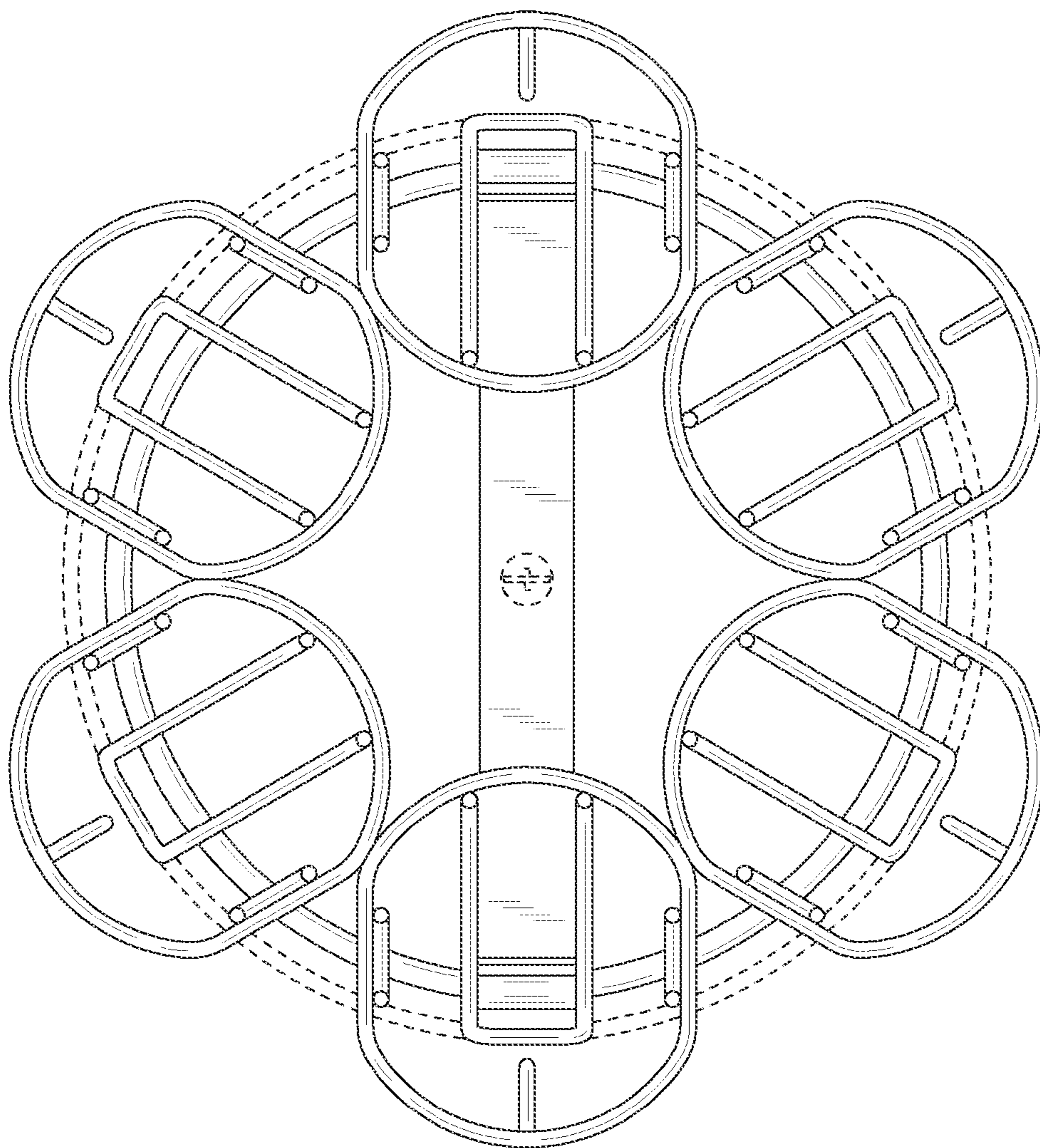


FIG. 6

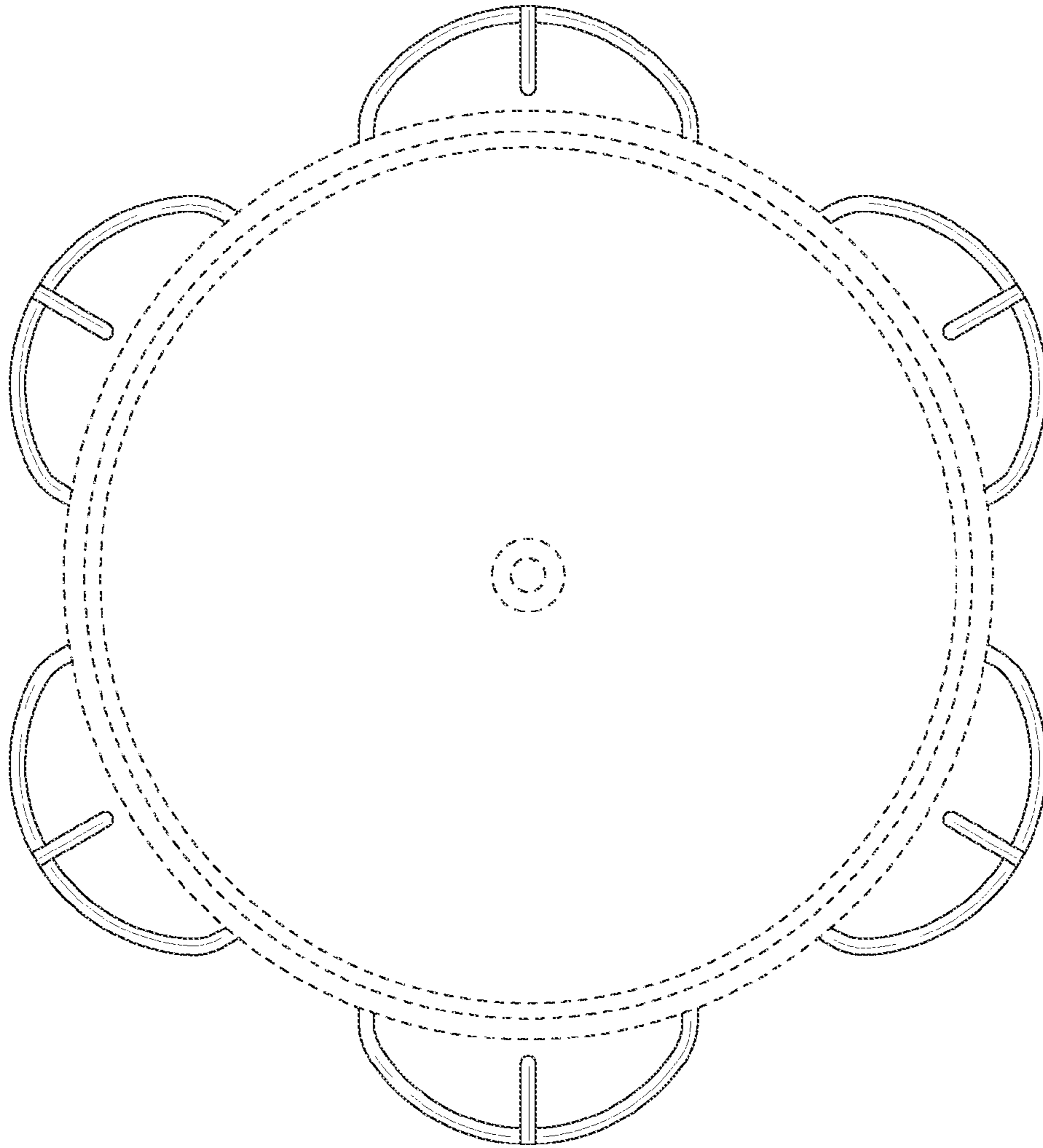


FIG. 7