

US00D698602S

(12) **United States Design Patent**
Beller

(10) **Patent No.:** **US D698,602 S**
(45) **Date of Patent:** **** Feb. 4, 2014**

(54) **PILSNER GLASS**
(76) Inventor: **Daveenia Cher Beller**, Marietta, GA
(US)
(**) Term: **14 Years**
(21) Appl. No.: **29/426,948**
(22) Filed: **Jul. 12, 2012**
(51) **LOC (10) Cl.** **07-01**
(52) **U.S. Cl.**
USPC **D7/523; D7/509; D7/396.2**
(58) **Field of Classification Search**
USPC D7/510, 511, 536, 533, 512, 529, 534,
D7/535, 523, 532, 396.2; D24/197;
220/703, 719, 713, 592.16, 592.17
See application file for complete search history.

D569,187 S 5/2008 Sandberg
D591,106 S * 4/2009 Dominique et al. D7/507
D600,071 S * 9/2009 Carreno D7/509
D609,055 S 2/2010 Specht et al.
D611,302 S 3/2010 Specht et al.
D618,509 S * 6/2010 Aarnoudse et al. D7/510
D624,364 S 9/2010 Specht et al.
D624,365 S 9/2010 Specht et al.
D634,159 S 3/2011 Bodum
D634,160 S * 3/2011 Cetera D7/510
7,992,331 B2 * 8/2011 Schnuckle 40/324
D646,928 S 10/2011 Specht et al.
D646,929 S 10/2011 Specht et al.
D653,492 S * 2/2012 Enghard D7/300.1
D653,493 S * 2/2012 Enghard D7/300.1
D657,198 S 4/2012 Bodum
D660,082 S 5/2012 Wahl

* cited by examiner

Primary Examiner — Marianne Pandozzi
(74) *Attorney, Agent, or Firm* — Maxwell & Anderson LLC.

(56) **References Cited**
U.S. PATENT DOCUMENTS

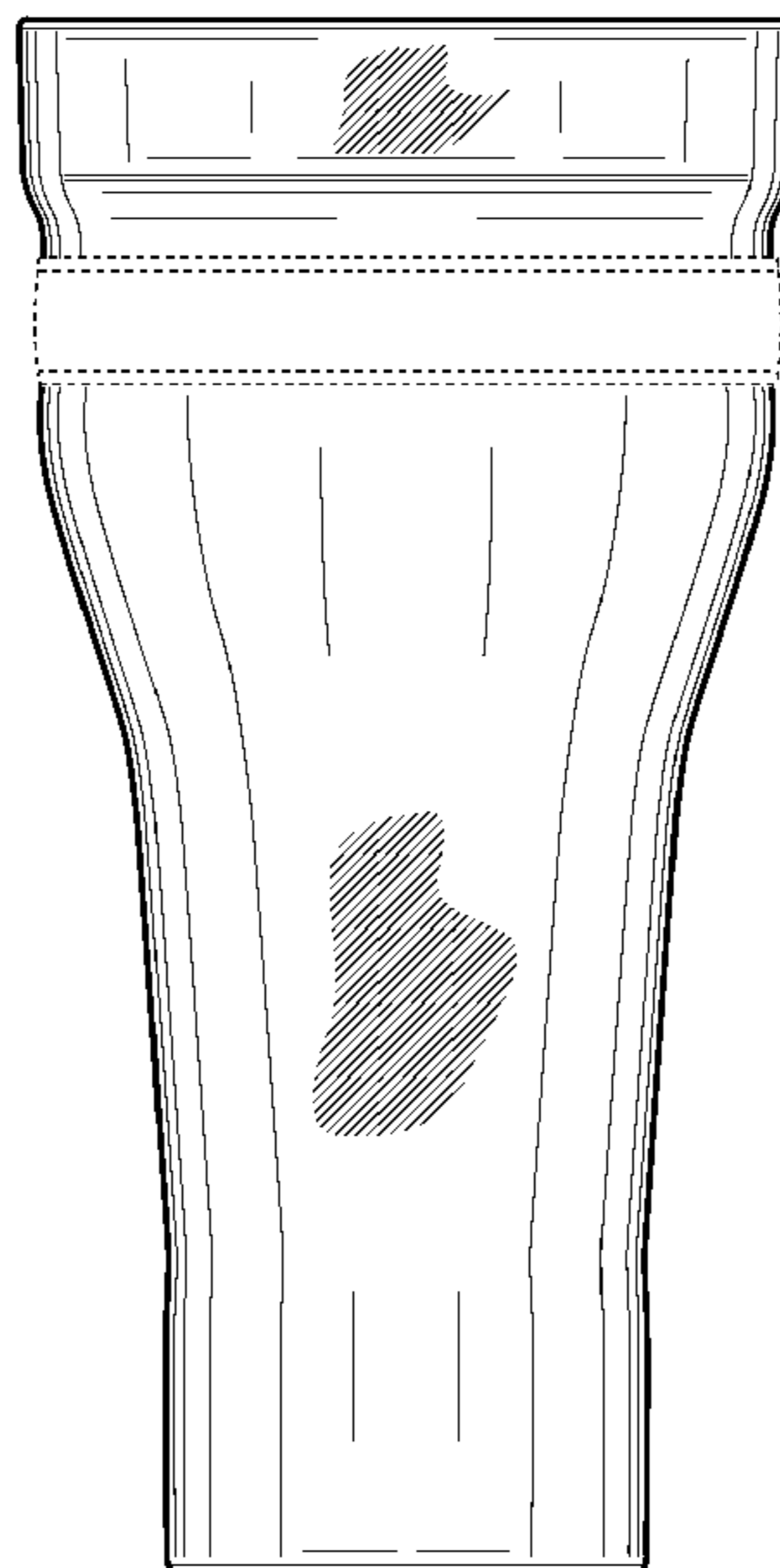
D11,568 S * 1/1880 Koonen D6/450
D38,248 S * 9/1906 Helmer D7/523
D67,869 S * 7/1925 Boswell D7/523
D269,147 S * 5/1983 Trombly D7/536
D335,382 S * 5/1993 O'Brien D99/25
5,449,089 A * 9/1995 Turner et al. 220/675
D386,948 S * 12/1997 Wissinger D7/533
D435,195 S 12/2000 Joergensen
D436,297 S 1/2001 Shook
D450,535 S * 11/2001 McDonough et al. D7/510
D452,415 S * 12/2001 McDonough et al. D7/510
D454,755 S * 3/2002 Jørgensen D7/510
D464,849 S * 10/2002 Norris et al. D7/523
D505,831 S * 6/2005 Liu D7/510
D514,887 S * 2/2006 Liu D7/536
D519,780 S 5/2006 Lai
D534,038 S * 12/2006 Kramer et al. D7/510
D534,770 S 1/2007 Gluck
D541,109 S 4/2007 Rocha
D568,103 S 5/2008 Bodum

(57) **CLAIM**
The ornamental design for a pilsner glass, as shown and described.

DESCRIPTION

FIG. 1 is a perspective view of a pilsner glass showing my new design;
FIG. 2 is a front elevational view thereof;
FIG. 3 is a top plan view thereof;
FIG. 4 is a bottom plan view thereof;
FIG. 5 is a perspective view of a pilsner glass showing my new design;
FIG. 6 is a front elevational view thereof;
FIG. 7 is a top plan view thereof; and,
FIG. 8 is a bottom plan view thereof.
The broken lines in the drawings are included for the purpose of illustration and form no part of the claimed design.

1 Claim, 4 Drawing Sheets



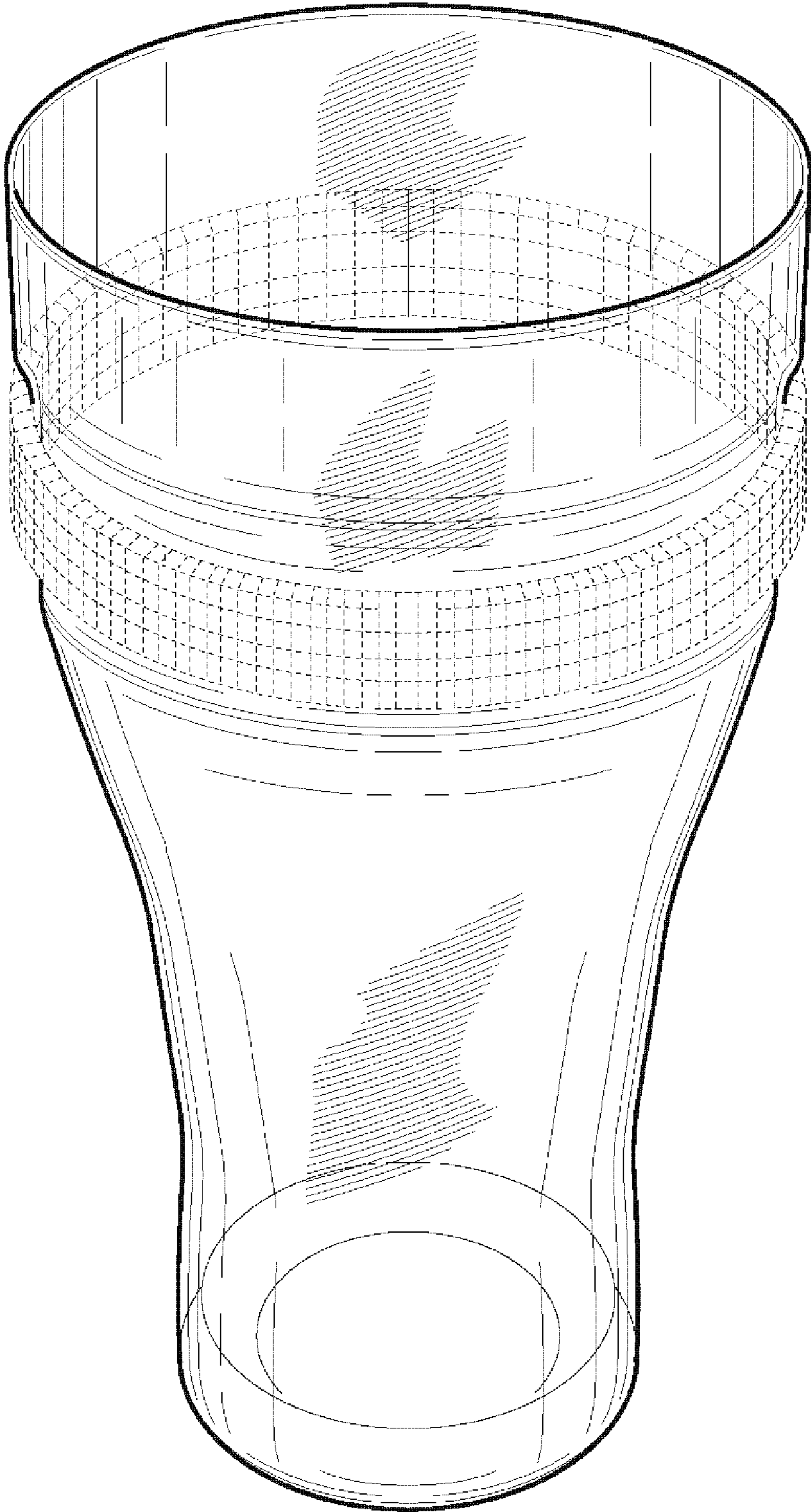


FIG. 1

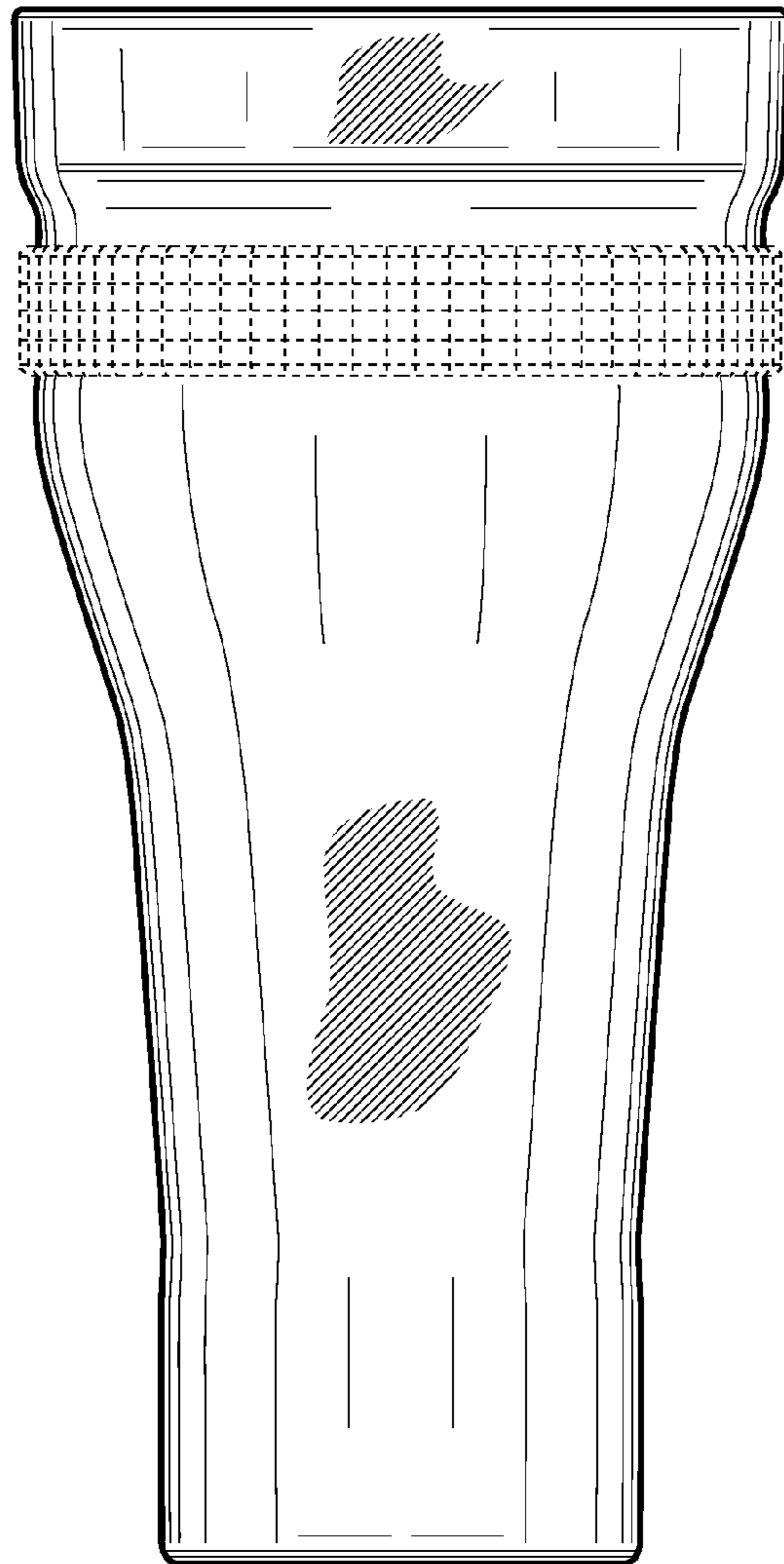


FIG. 2

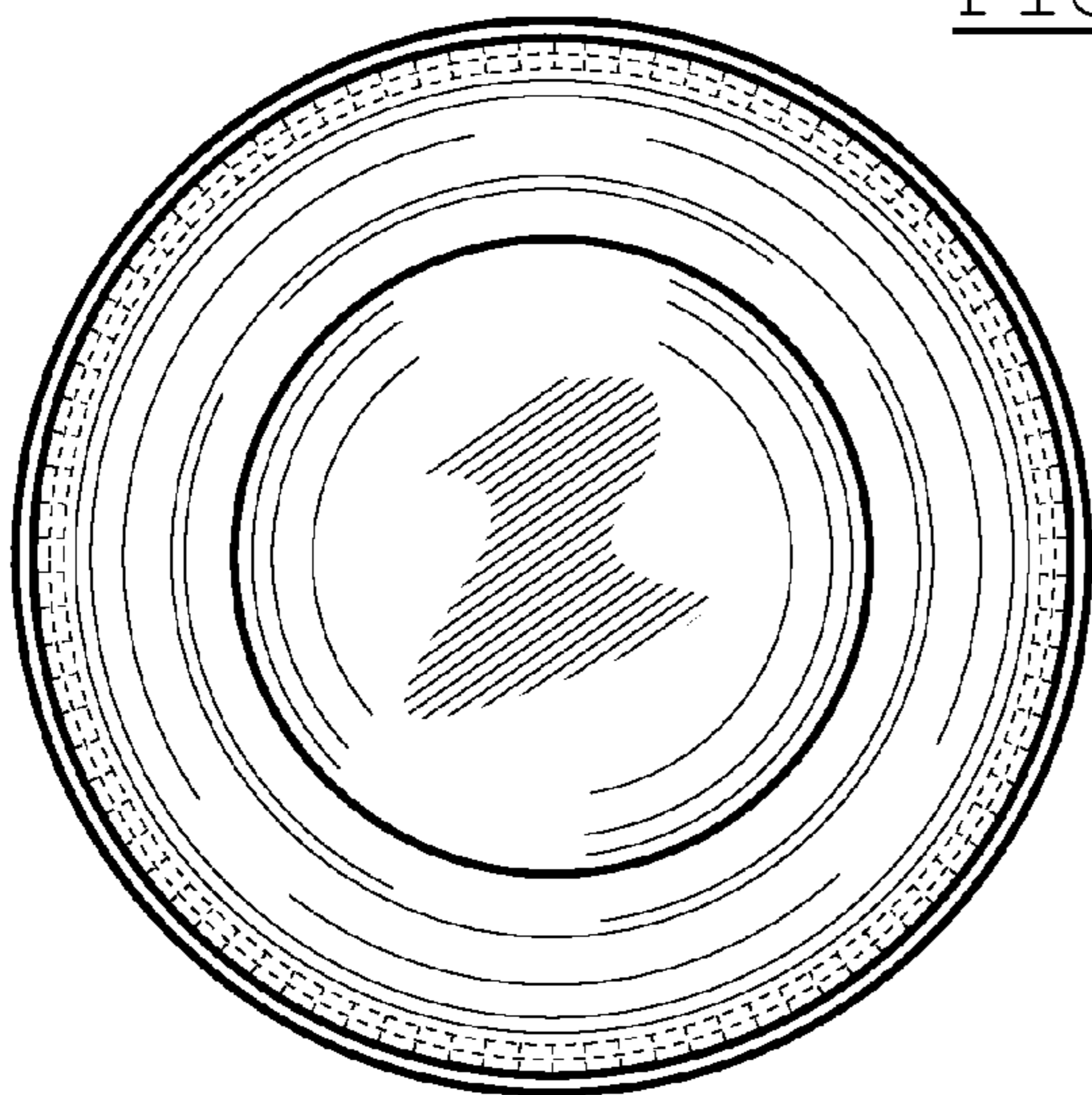


FIG. 3

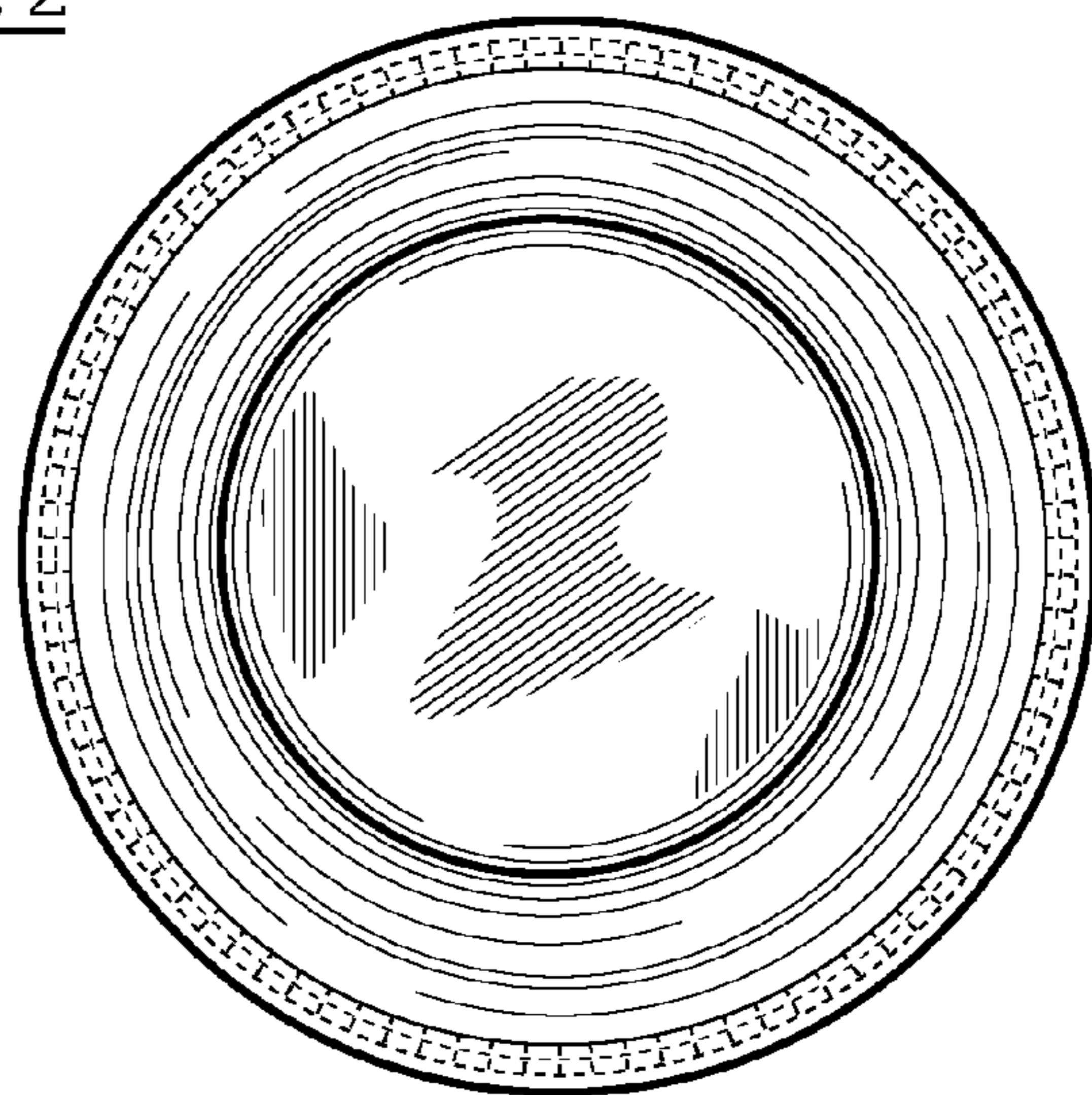


FIG. 4

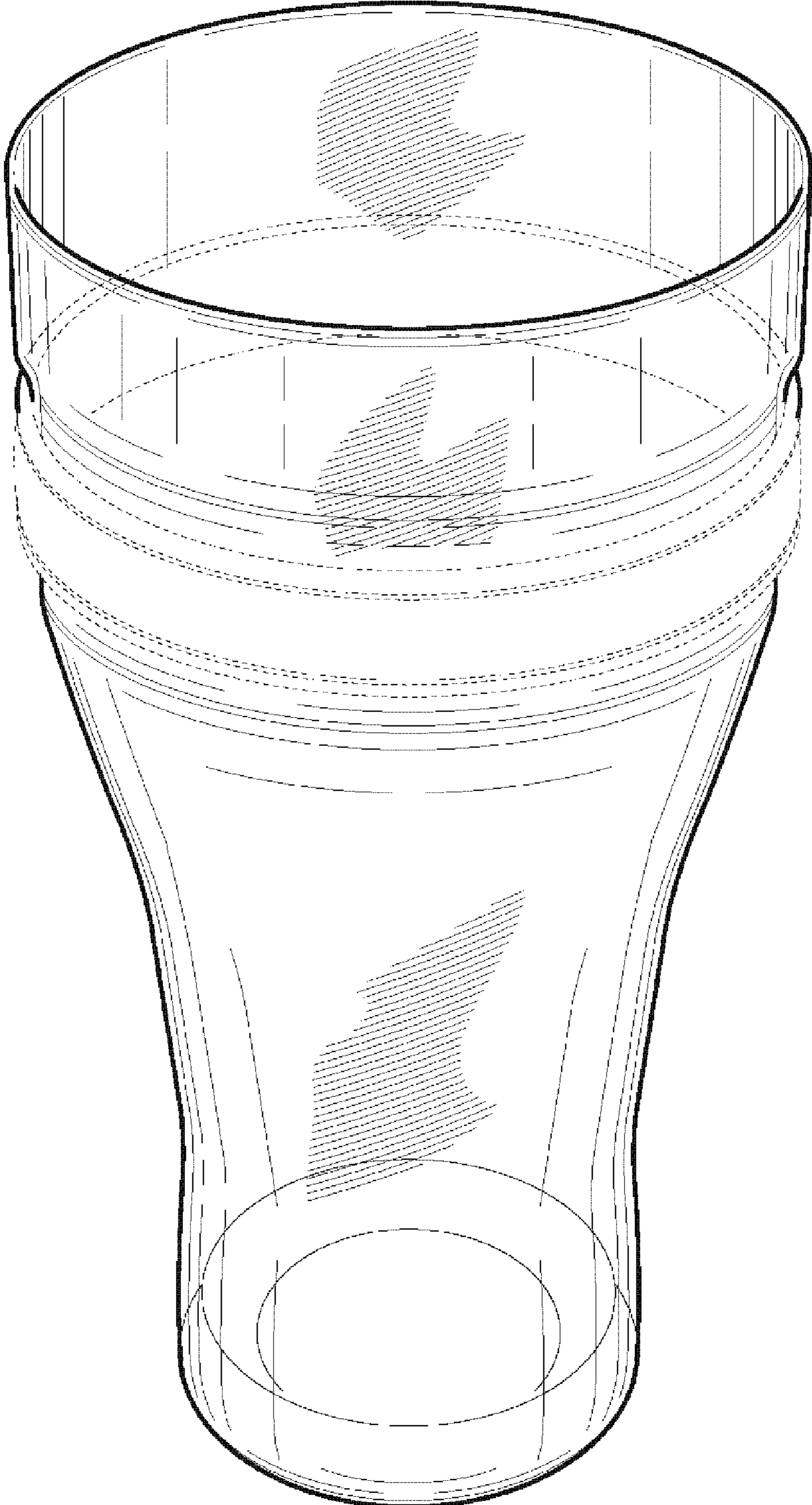


FIG. 5

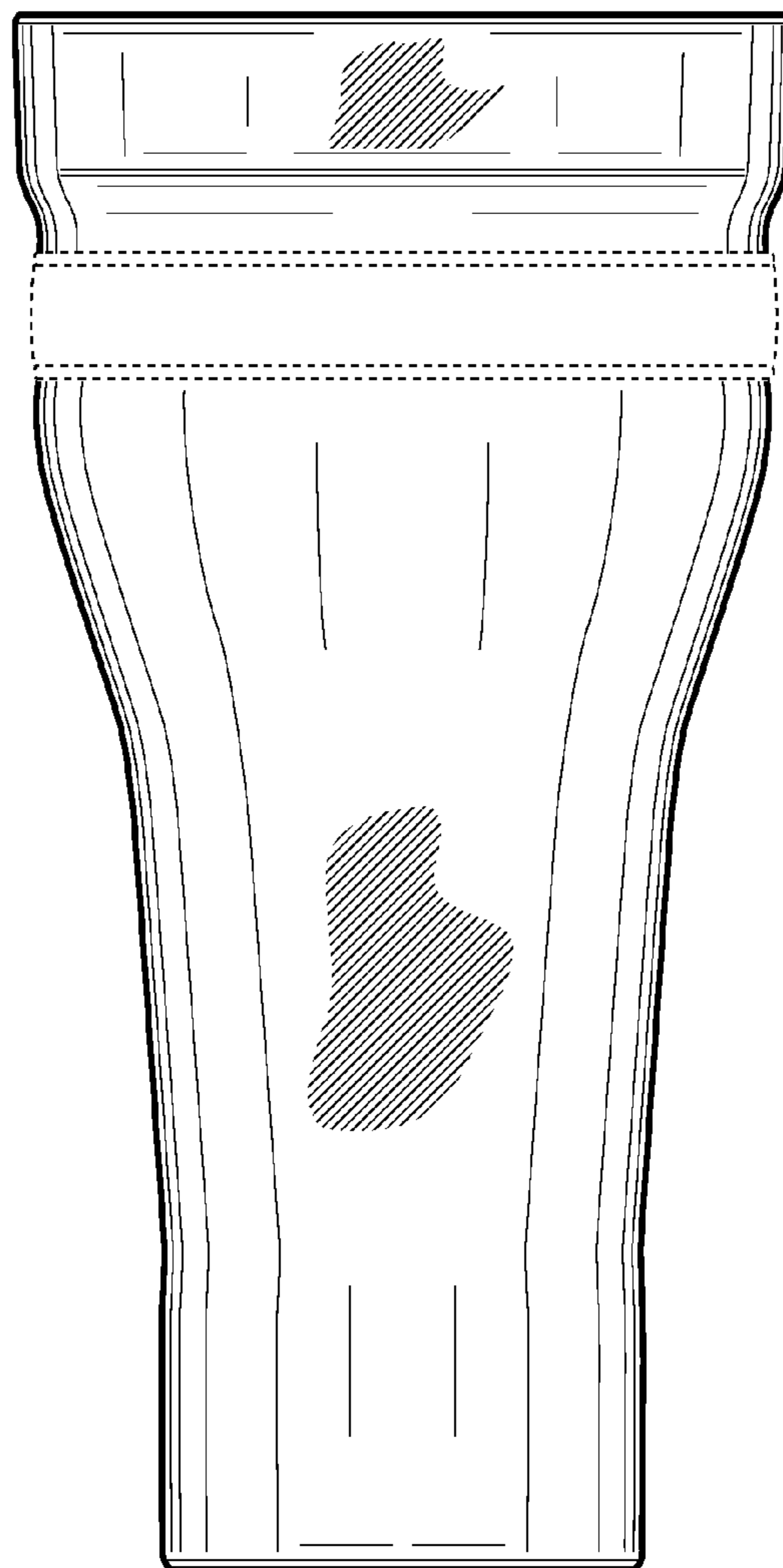


FIG. 6

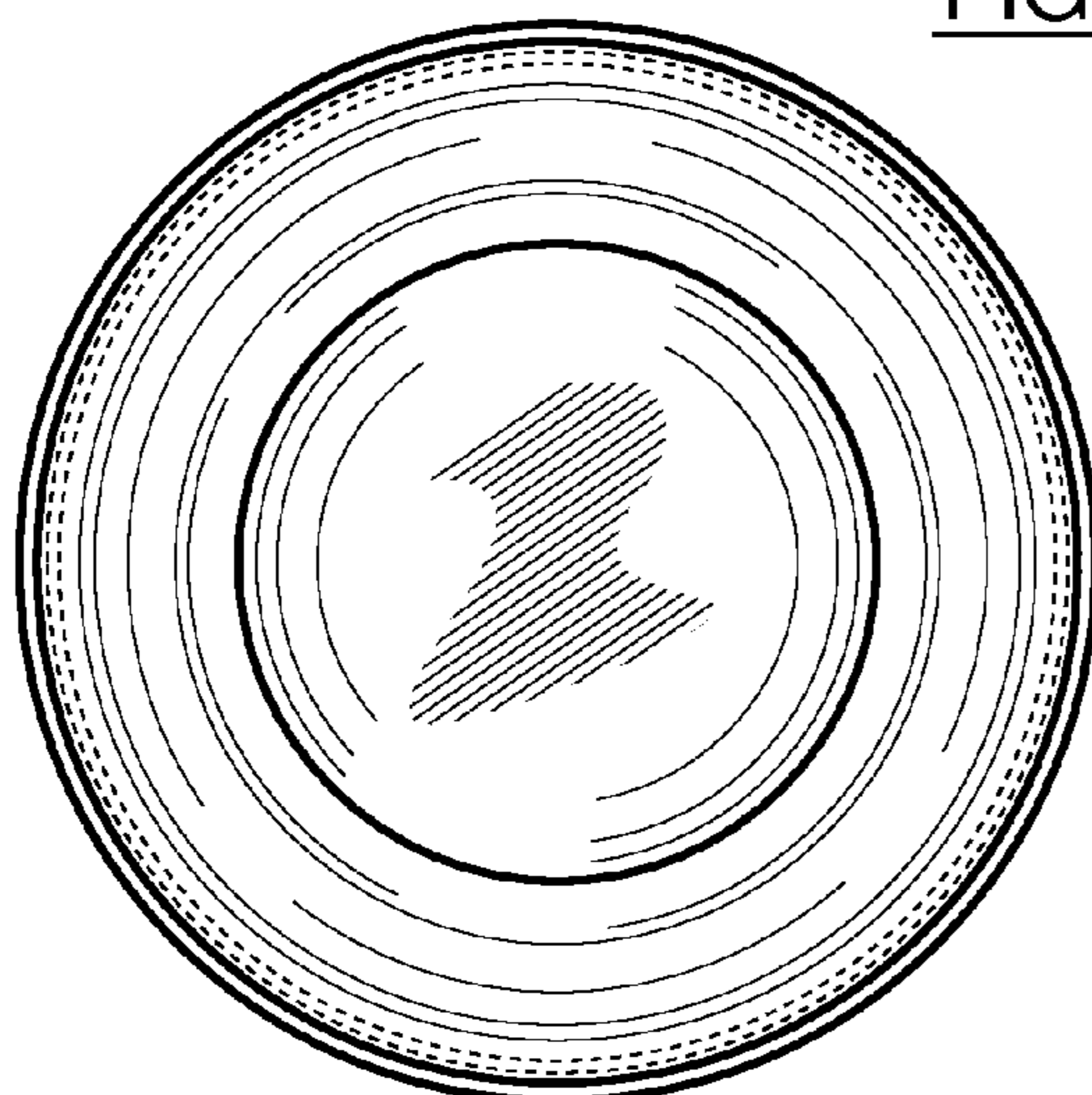


FIG. 7

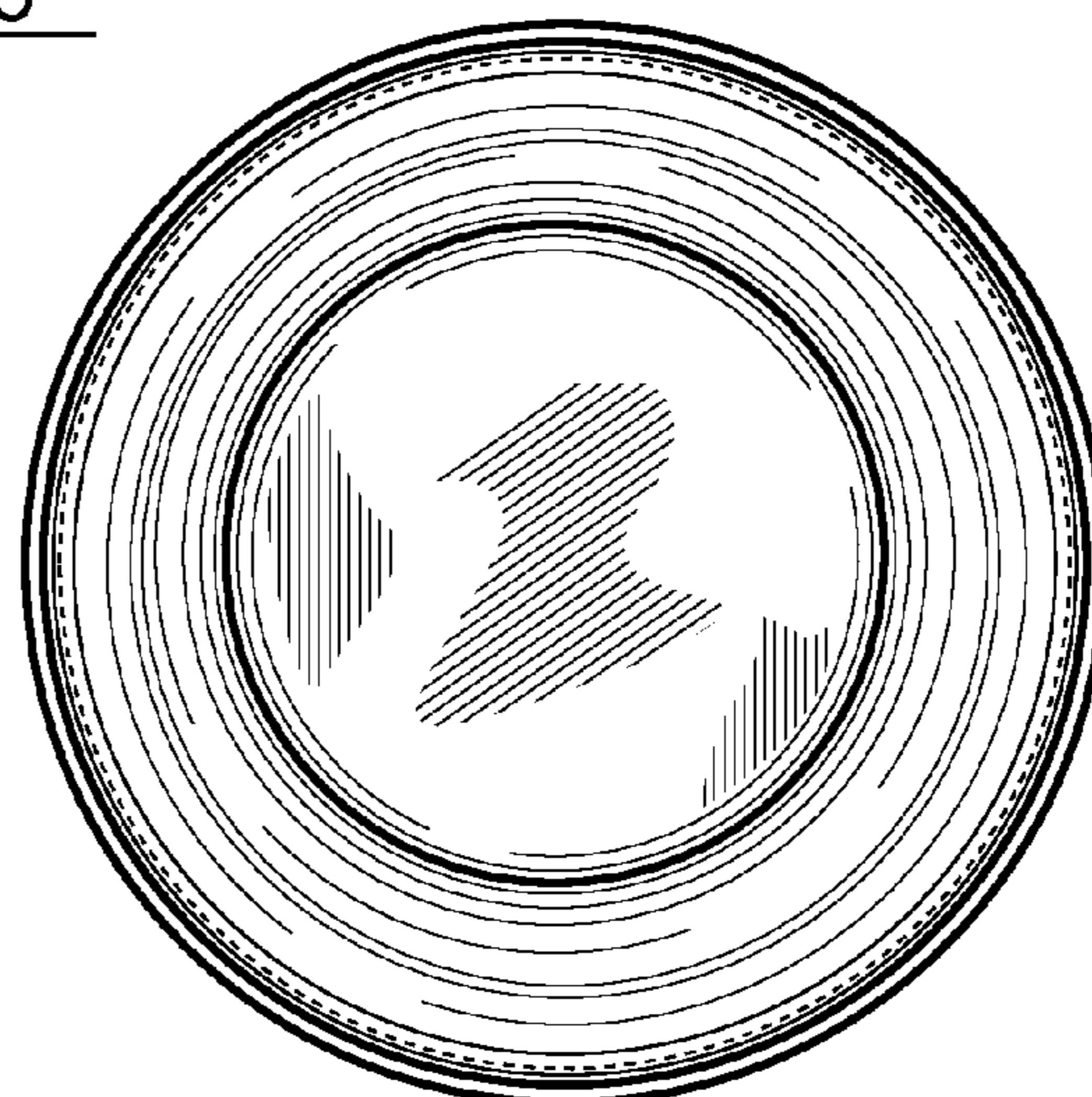


FIG. 8