



US00D698599S

(12) **United States Design Patent**
Malik

(10) **Patent No.:** **US D698,599 S**

(45) **Date of Patent:** **** Feb. 4, 2014**

(54) **COVER FOR LIQUID CONTAINER**

(71) Applicant: **Neil K. Malik**, Riverside, RI (US)

(72) Inventor: **Neil K. Malik**, Riverside, RI (US)

(**) Term: **14 Years**

(21) Appl. No.: **29/457,950**

(22) Filed: **Jun. 14, 2013**

(51) **LOC (10) Cl.** **07-02**

(52) **U.S. Cl.**
USPC **D7/392.1; D9/451**

(58) **Field of Classification Search**
USPC D7/300.2, 392.1, 396.2, 398, 510, 511,
D7/515, 537, 900; D9/435, 441, 451;
D29/102, 104, 105, 106; D2/865, 869,
D2/878, 879; 446/28, 72; 215/229
See application file for complete search history.

D587,854 S *	3/2009	Nimmons et al.	D29/106
D596,670 S *	7/2009	Baker	D19/82
D597,789 S *	8/2009	McDonald	D7/398
D601,760 S *	10/2009	Friess	D30/125
D603,099 S *	10/2009	Bologna et al.	D29/106
D605,443 S *	12/2009	Lochen	D6/515
D625,050 S *	10/2010	Chen	D29/106
D629,648 S *	12/2010	McDonald	D7/398
D636,941 S *	4/2011	Pye	D29/102
D663,575 S *	7/2012	Carroll et al.	D7/392.1
D670,537 S *	11/2012	Rudisill	D7/392.1
D671,171 S *	11/2012	Baker	D19/82
D680,369 S *	4/2013	Starks	D7/392.1
D689,981 S *	9/2013	Bollerod	D23/213

* cited by examiner

Primary Examiner — Susan E Krakower

(74) *Attorney, Agent, or Firm* — Salter & Michaelson

(57) **CLAIM**

The ornamental design for an ornamental cover for liquid container, as shown and described.

(56) **References Cited**

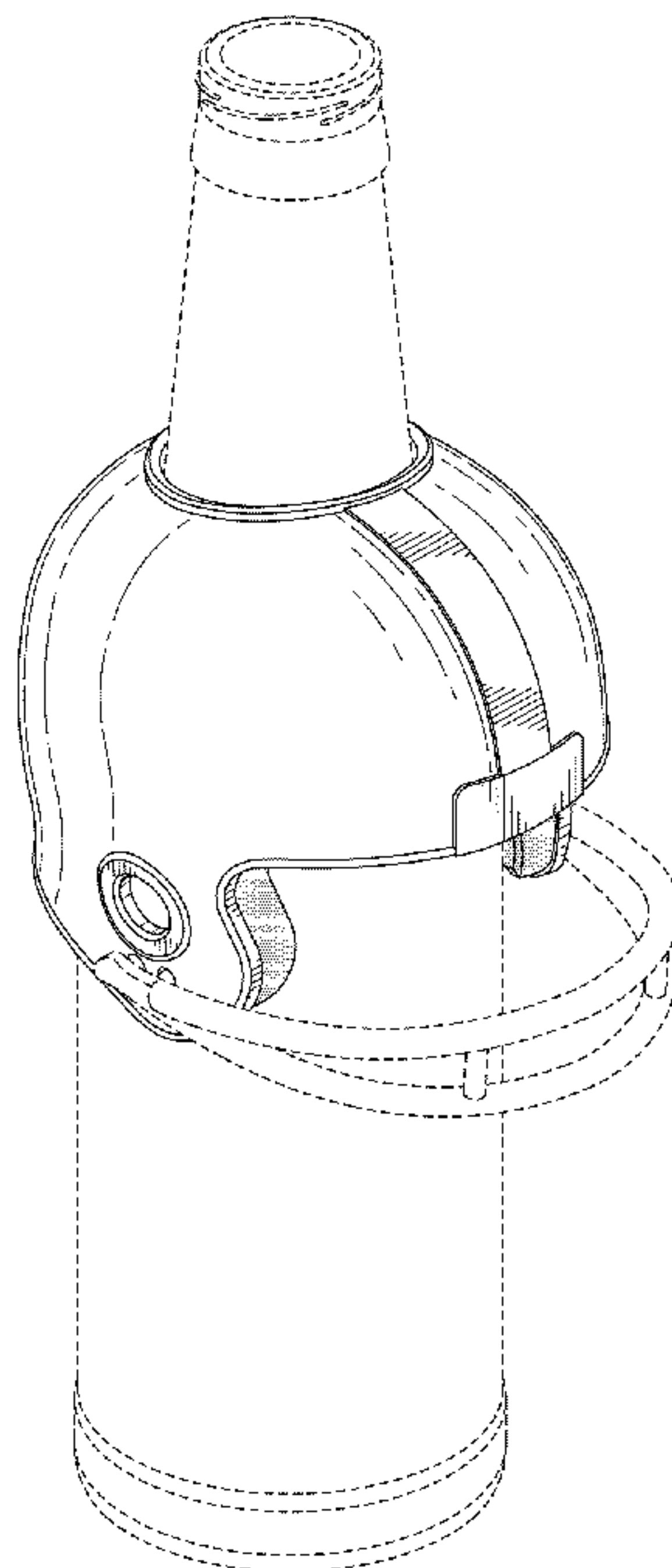
U.S. PATENT DOCUMENTS

4,947,490 A *	8/1990	Hayden	2/424
D327,817 S *	7/1992	Paullin	D7/515
D344,659 S *	3/1994	Hsu	D7/613
D379,023 S *	4/1997	August	D99/37
D379,149 S *	5/1997	Powell et al.	D9/451
D391,852 S *	3/1998	Tucker	D9/451
D416,799 S *	11/1999	Adams	D9/451
D459,555 S *	6/2002	Gatellet	D29/106
D471,060 S *	3/2003	Salsman	D7/392.1
D474,938 S	5/2003	Malik		
D507,181 S	7/2005	Malik		
D513,988 S	1/2006	Malik		
D566,461 S *	4/2008	McDonald	D7/398
D583,231 S *	12/2008	Koehnke	D9/441

DESCRIPTION

FIG. 1 is a front perspective view of an ornamental cover for liquid container, shown in condition of use;
FIG. 2 is a perspective view thereof;
FIG. 3 is a front elevational view thereof;
FIG. 4 is a rear elevational view thereof;
FIG. 5 is a top plan view thereof;
FIG. 6 is a bottom plan view thereof;
FIG. 7 is a left side elevational view thereof; and,
FIG. 8 is a right side elevational view thereof.
The broken lines illustrate portions of the cover and environmental structure which form no part of the claimed design.

1 Claim, 8 Drawing Sheets



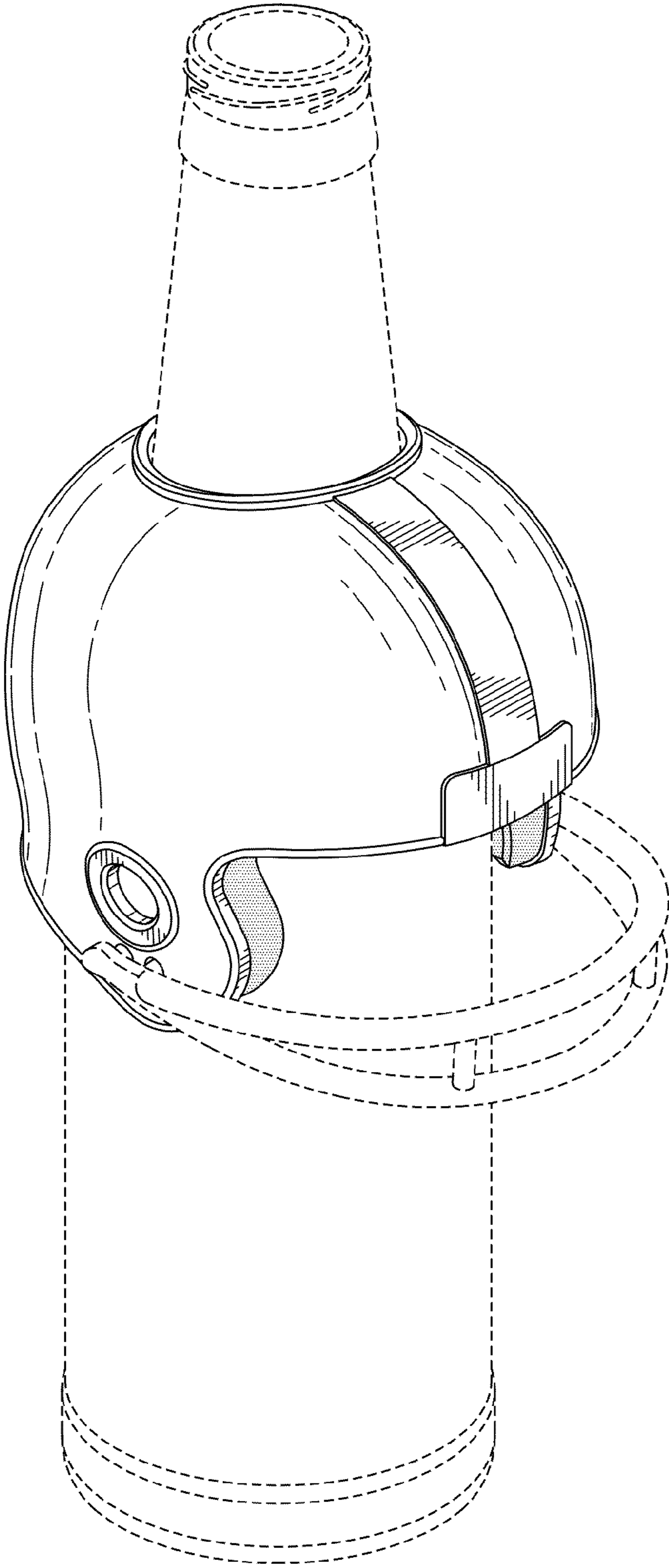


FIG. 1

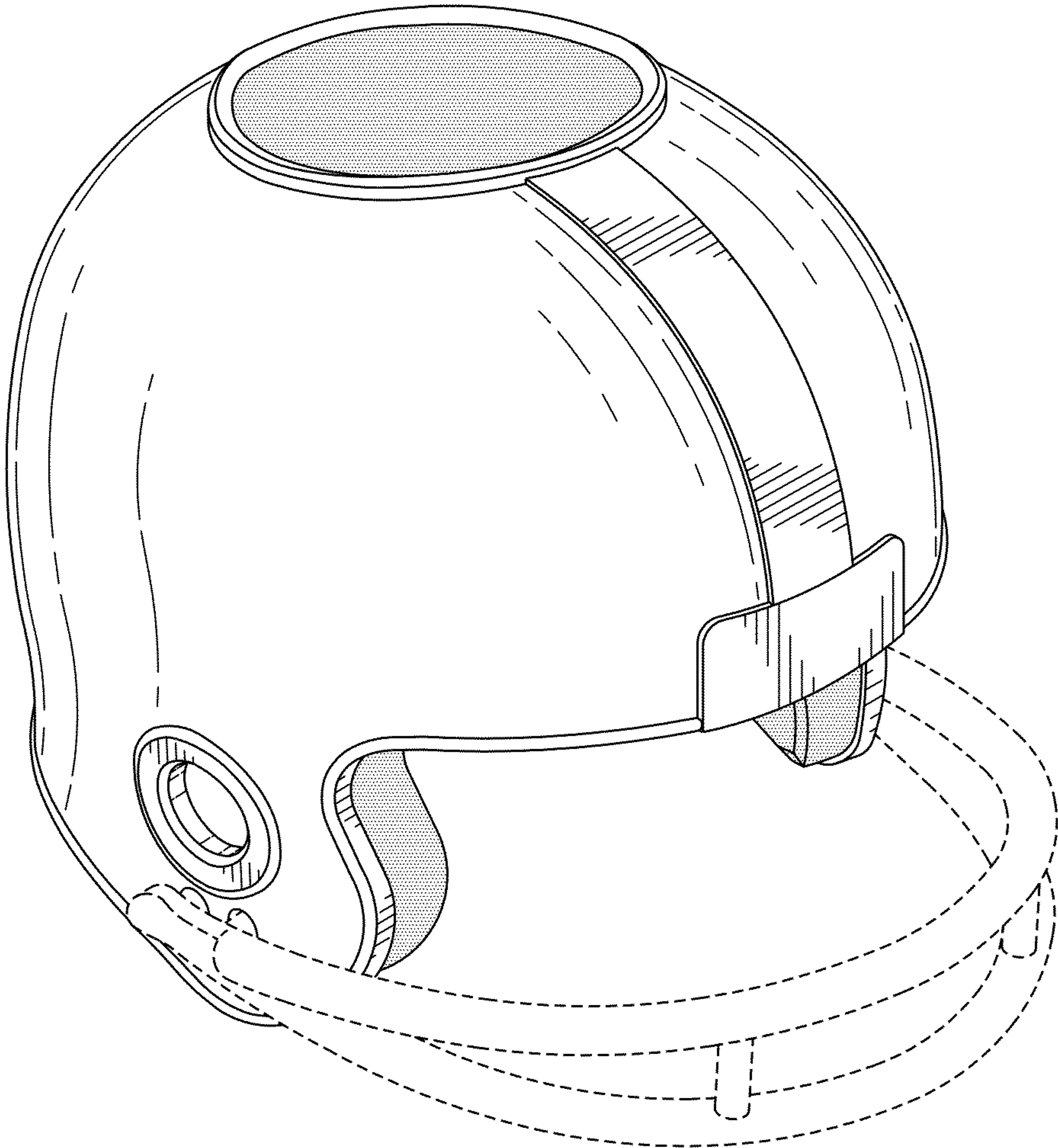


FIG. 2

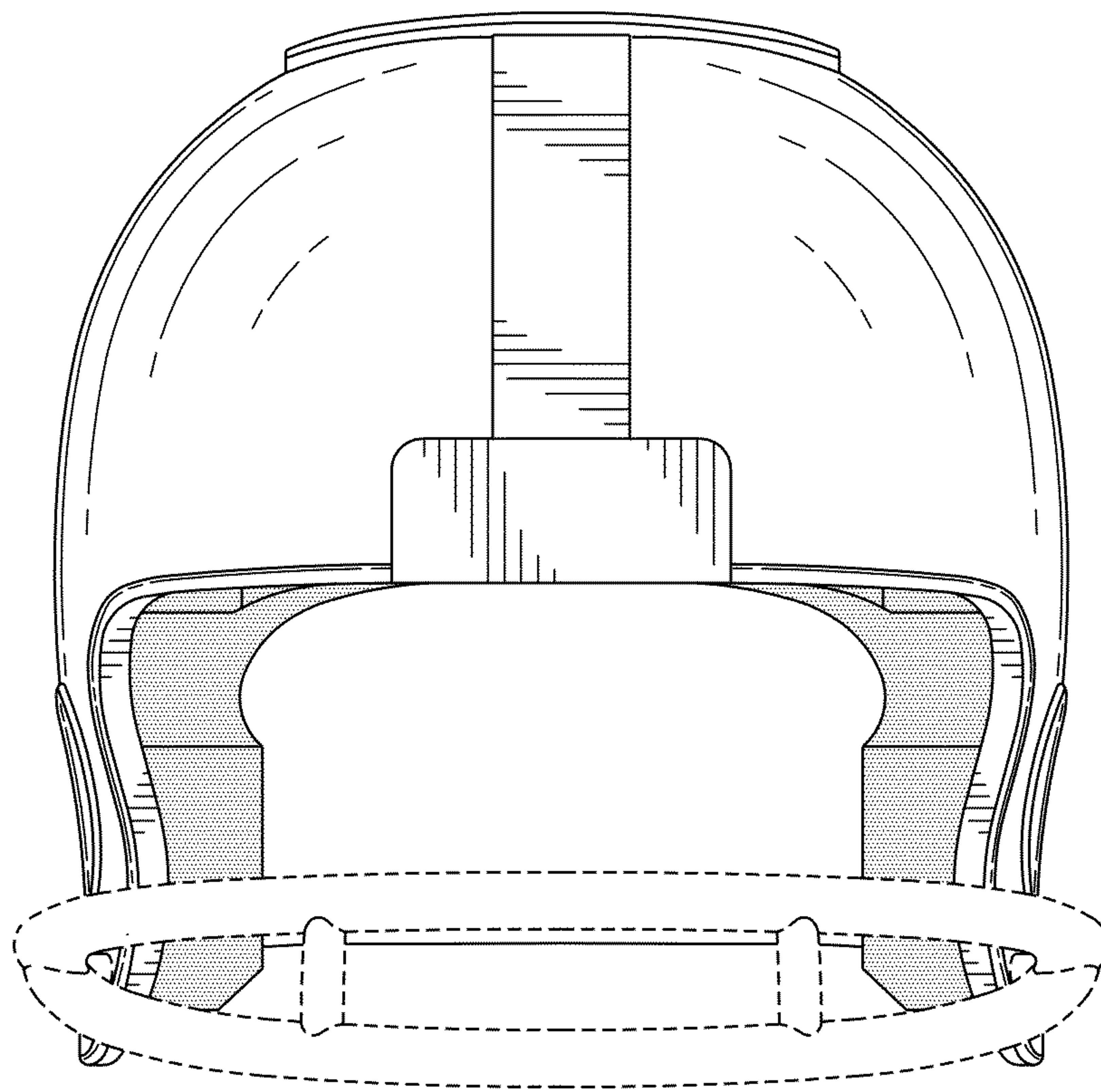


FIG. 3

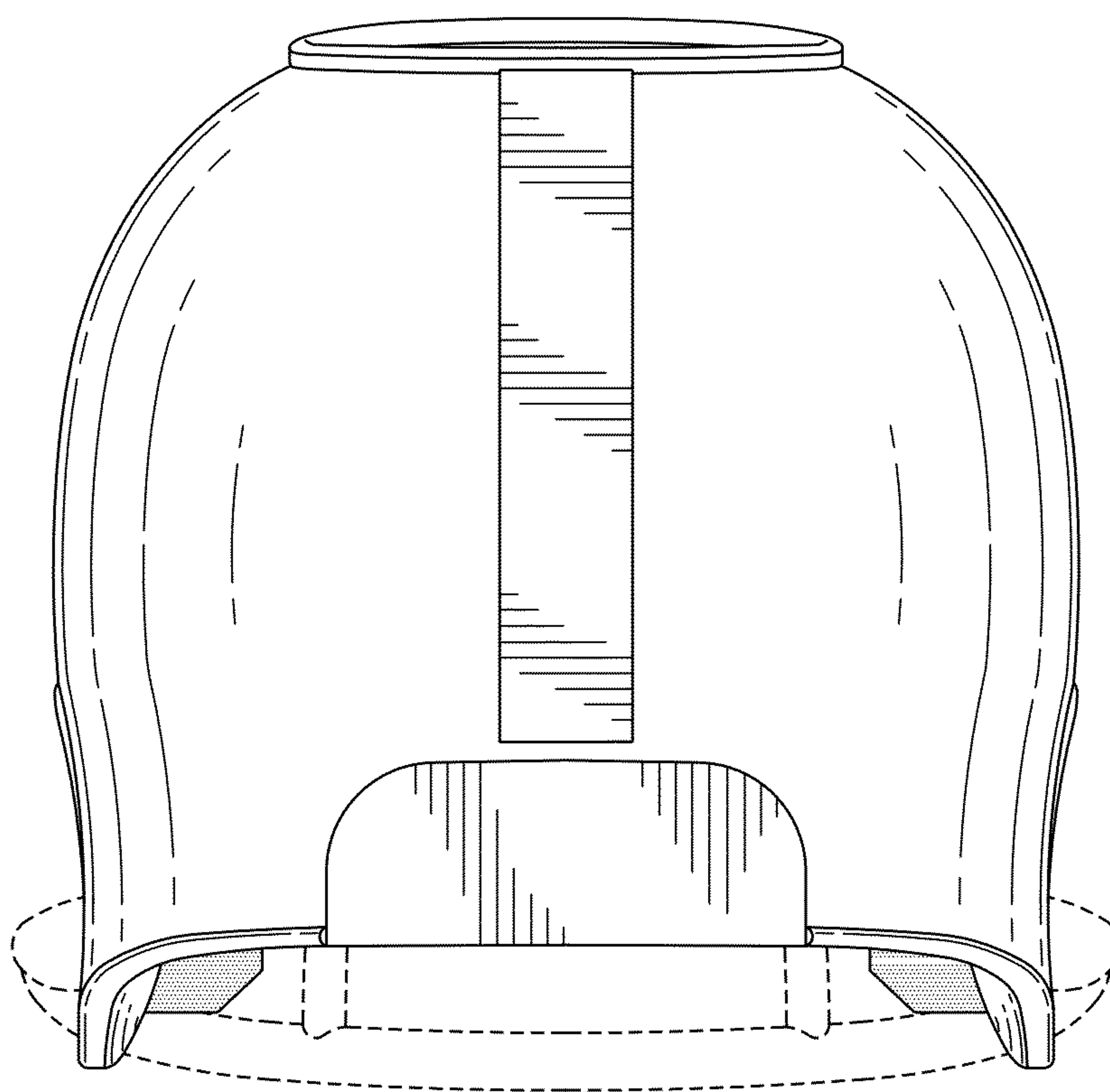


FIG. 4

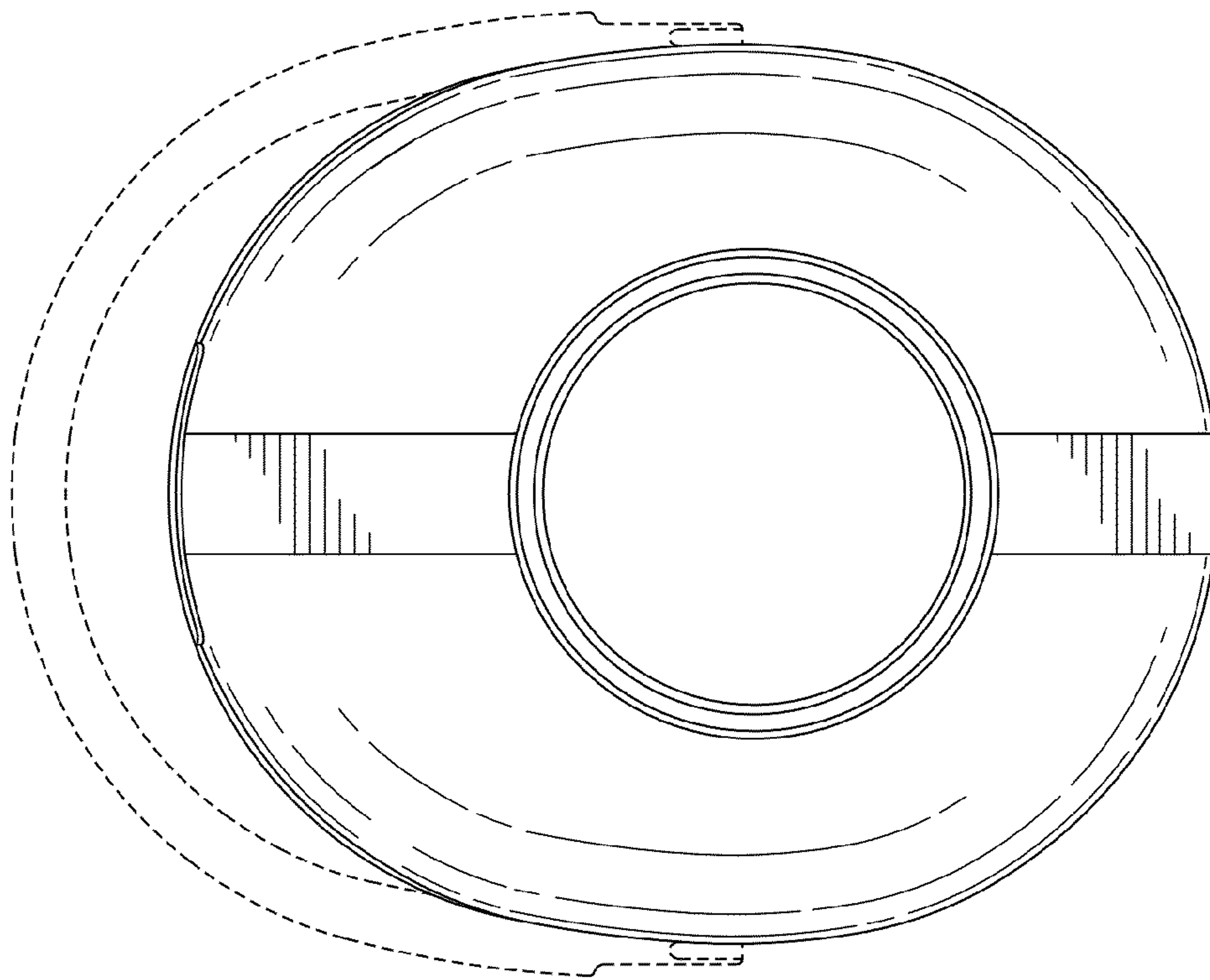


FIG. 5

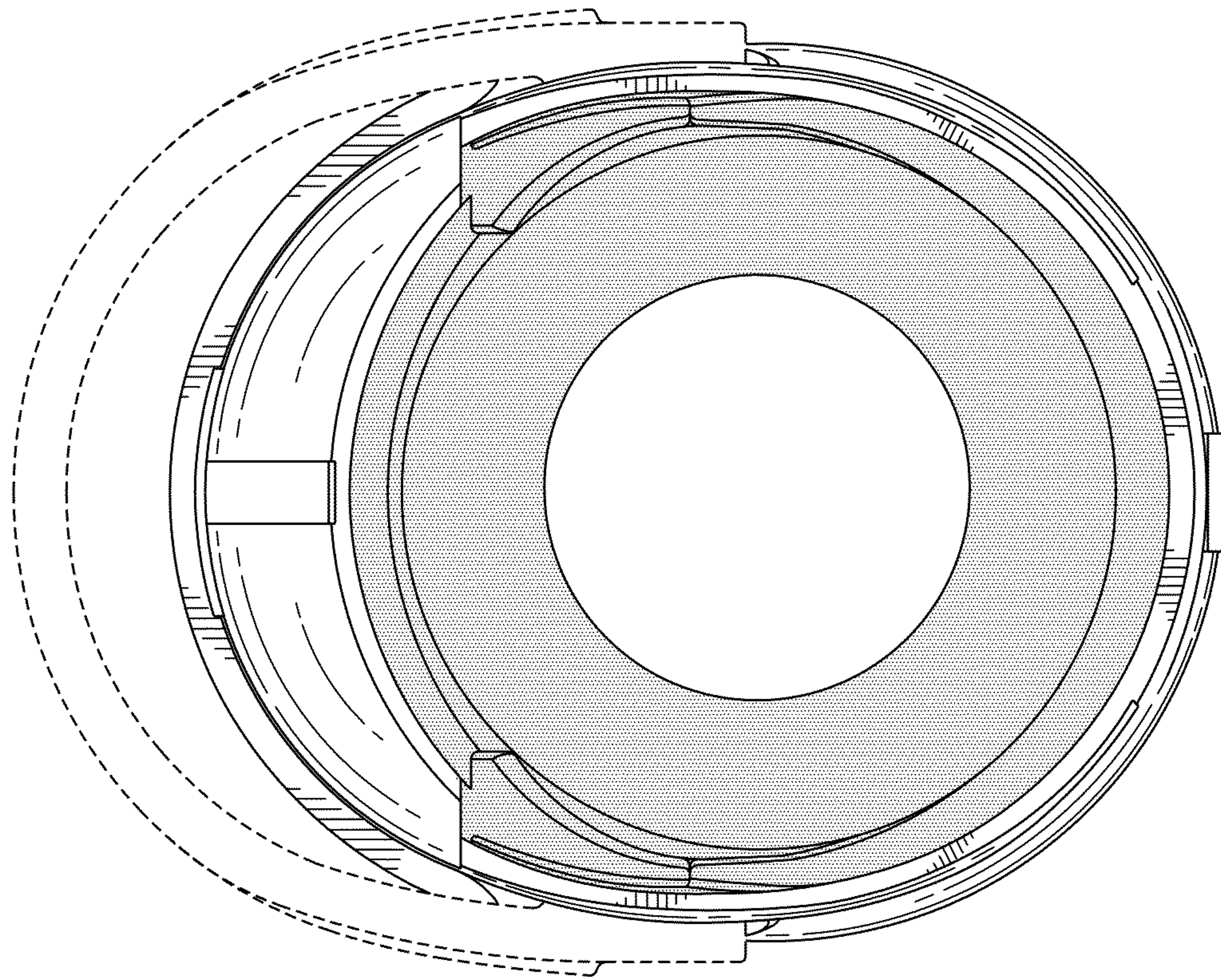


FIG. 6

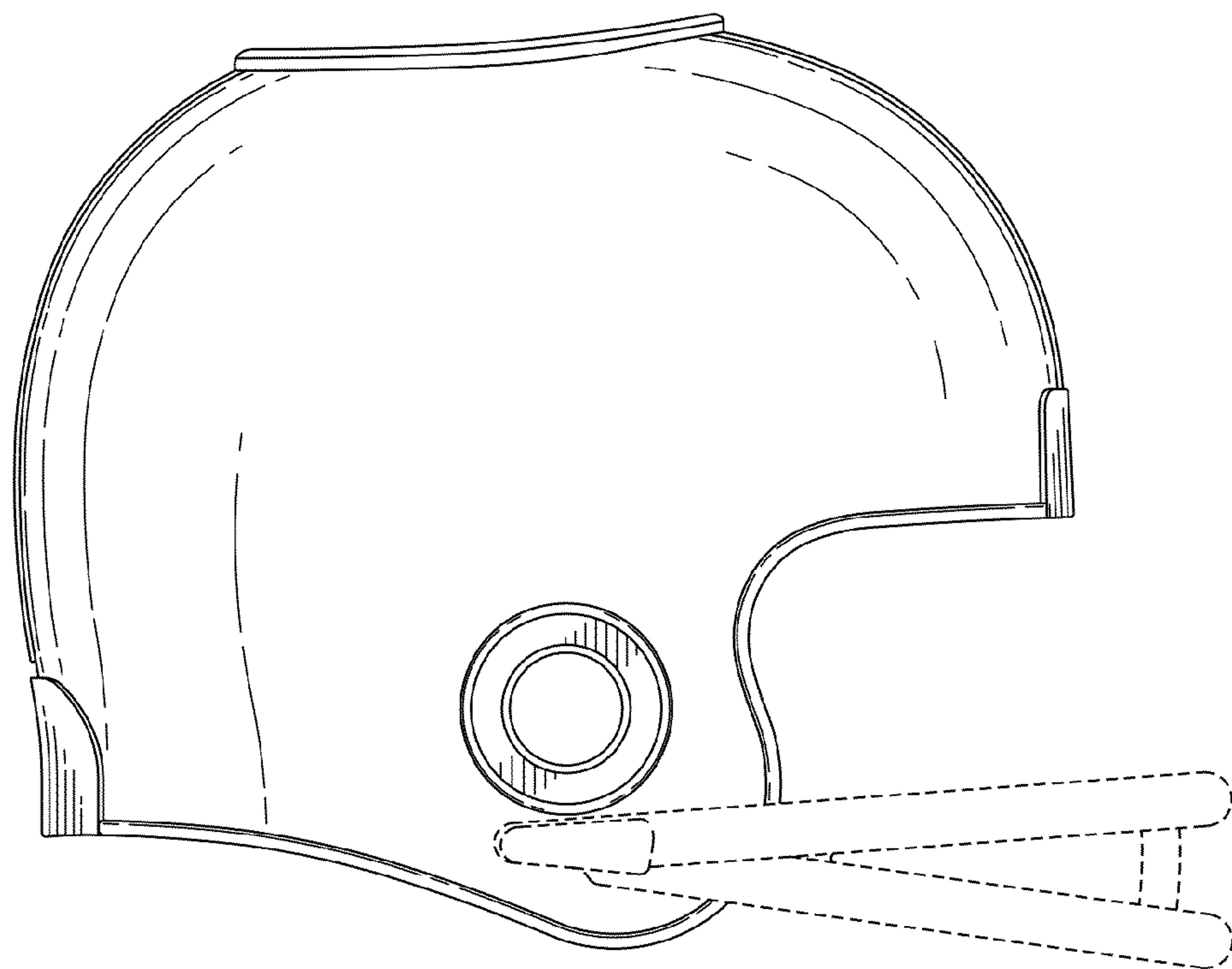


FIG. 7

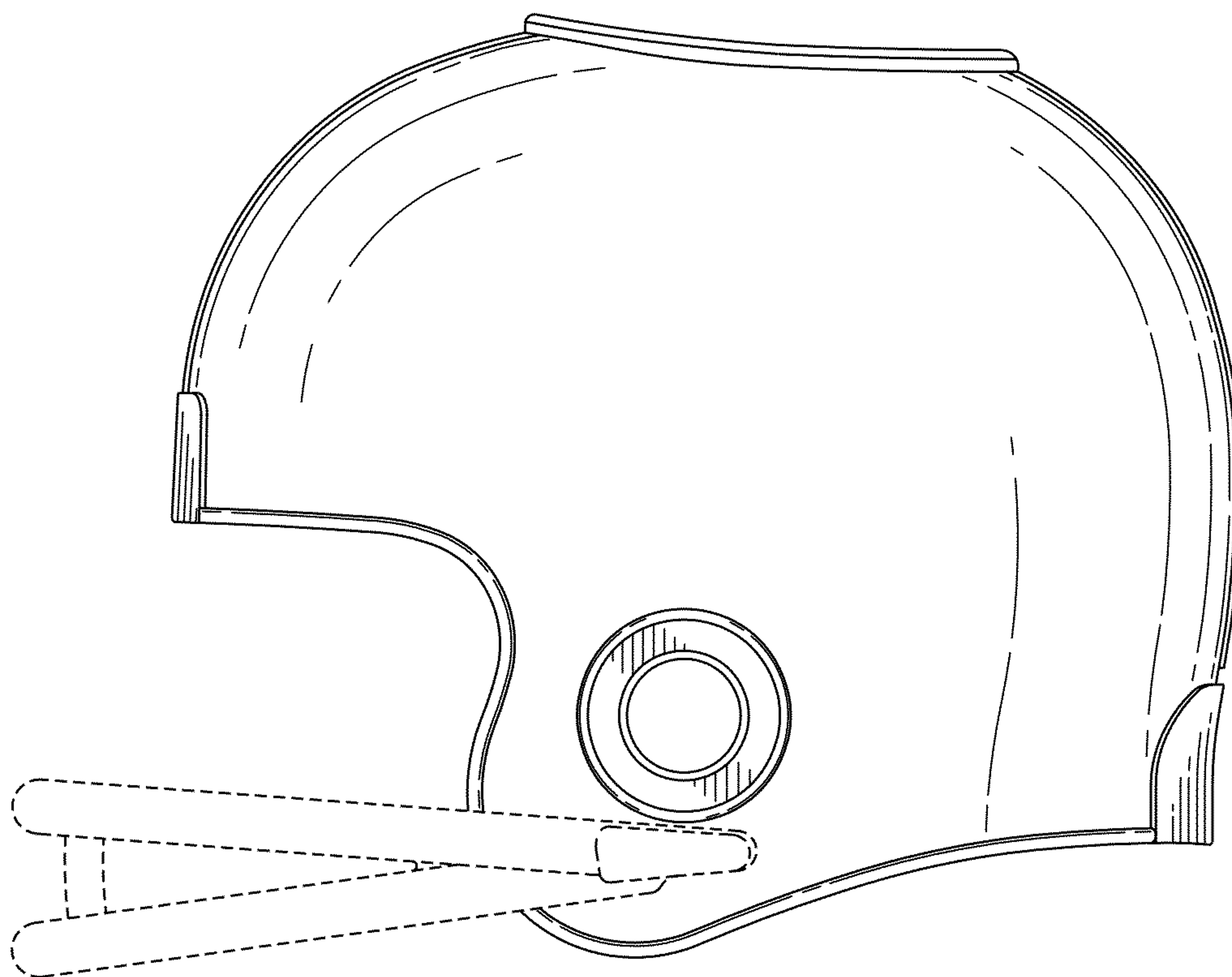


FIG. 8