



US00D698596S

(12) **United States Design Patent**
Hundley

(10) **Patent No.:** **US D698,596 S**

(45) **Date of Patent:** **** Feb. 4, 2014**

- (54) **FOODSERVICE EQUIPMENT**
- (71) Applicant: **The Vollrath Company, L.L.C.**,
Sheboygan, WI (US)
- (72) Inventor: **Jill E. Hundley**, Sheboygan, WI (US)
- (73) Assignee: **The Vollrath Company, L.L.C.**,
Sheboygan, WI (US)
- (**) Term: **14 Years**
- (21) Appl. No.: **29/438,200**
- (22) Filed: **Nov. 27, 2012**
- (51) **LOC (10) Cl.** **07-02**
- (52) **U.S. Cl.**
USPC **D7/363; D7/367**
- (58) **Field of Classification Search**
USPC D7/323, 326, 328–332, 334–341, 346,
D7/350.1, 351–367, 399, 402–403, 407;
D13/180; 99/324–328, 331, 339–340,
99/349, 385–389, 425, 444; 219/385–386,
219/443.1, 452.11, 455.1, 620–622,
219/732–734; 241/199.12; 426/438
See application file for complete search history.

- D439,792 S * 4/2001 Hedrington et al. D7/323
- D497,768 S * 11/2004 Since et al. D7/362
- D501,117 S 1/2005 Bassill
- D580,701 S 11/2008 Wojcik et al.
- D593,043 S * 5/2009 Song D13/180
- 7,825,353 B2 * 11/2010 Shingler 219/452.11
- D636,630 S * 4/2011 Shingler D7/367
- D641,197 S * 7/2011 Borin D7/326
- 7,993,694 B2 * 8/2011 Goderiaux et al. 426/438
- 2002/0027175 A1 * 3/2002 Capp 241/199.12

OTHER PUBLICATIONS

Vollrath, "Equipment and Smallwares" Catalog, 2012-2013, pp. 2-3 to 2-12.

* cited by examiner

Primary Examiner — Ricky Pham

(74) *Attorney, Agent, or Firm* — Foley & Lardner LLP

(57) **CLAIM**

I claim the ornamental design for an foodservice equipment, as shown and described.

DESCRIPTION

FIG. 1 is a perspective view of the claimed design;
FIG. 2 is a rear view of the claimed design;
FIG. 3 is a front view of the claimed design;
FIG. 4 is a top view of the claimed design;
FIG. 5 is a bottom view of the claimed design;
FIG. 6 is a right side view of the claimed design;
FIG. 7 is a left side view of the claimed design; and,
FIG. 8 is a section view of the claimed design taken along the line 8-8 in FIG. 4.

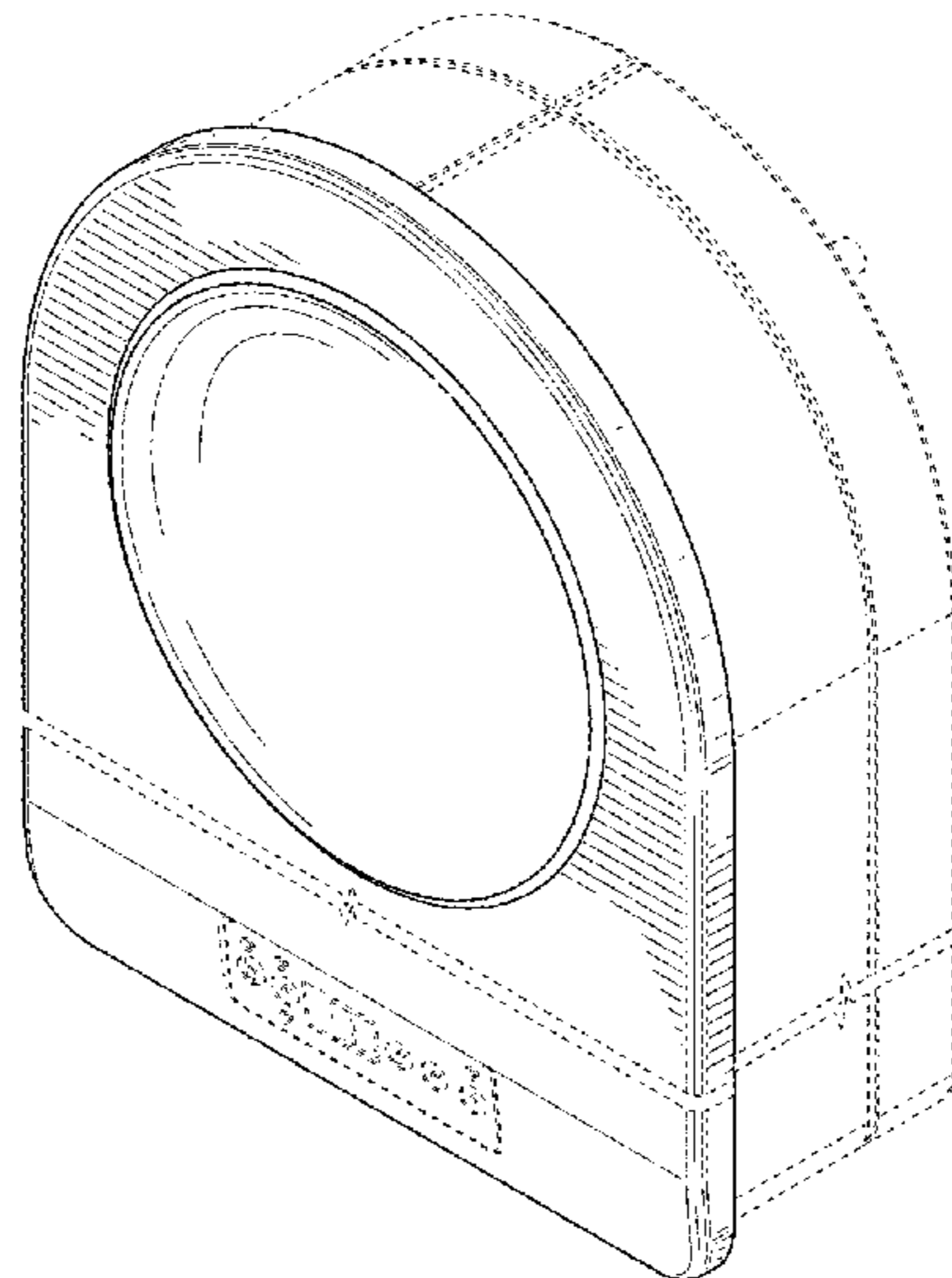
The broken lines in the drawings are for illustrative purposes only and form no part of the claimed design. The foodservice equipment may be, for example, an induction wok or other cooking or heating appliance designed for placement on a countertop and/or integrated within a countertop.

1 Claim, 7 Drawing Sheets

(56) **References Cited**

U.S. PATENT DOCUMENTS

- D195,657 S * 7/1963 Sullivan D7/364
- D215,514 S * 10/1969 Betzer D7/363
- D261,849 S 11/1981 Funaki et al.
- D276,785 S * 12/1984 Cleland D7/399
- D285,523 S 9/1986 Ayukawa et al.
- D289,130 S 4/1987 Rengeji et al.
- D289,847 S 5/1987 Okamoto et al.
- D296,509 S 7/1988 Fuke
- D297,701 S 9/1988 Nakagawa et al.
- D305,290 S * 1/1990 Springer D7/367
- D379,733 S * 6/1997 Liu et al. D7/352
- D438,423 S 3/2001 Bassill et al.



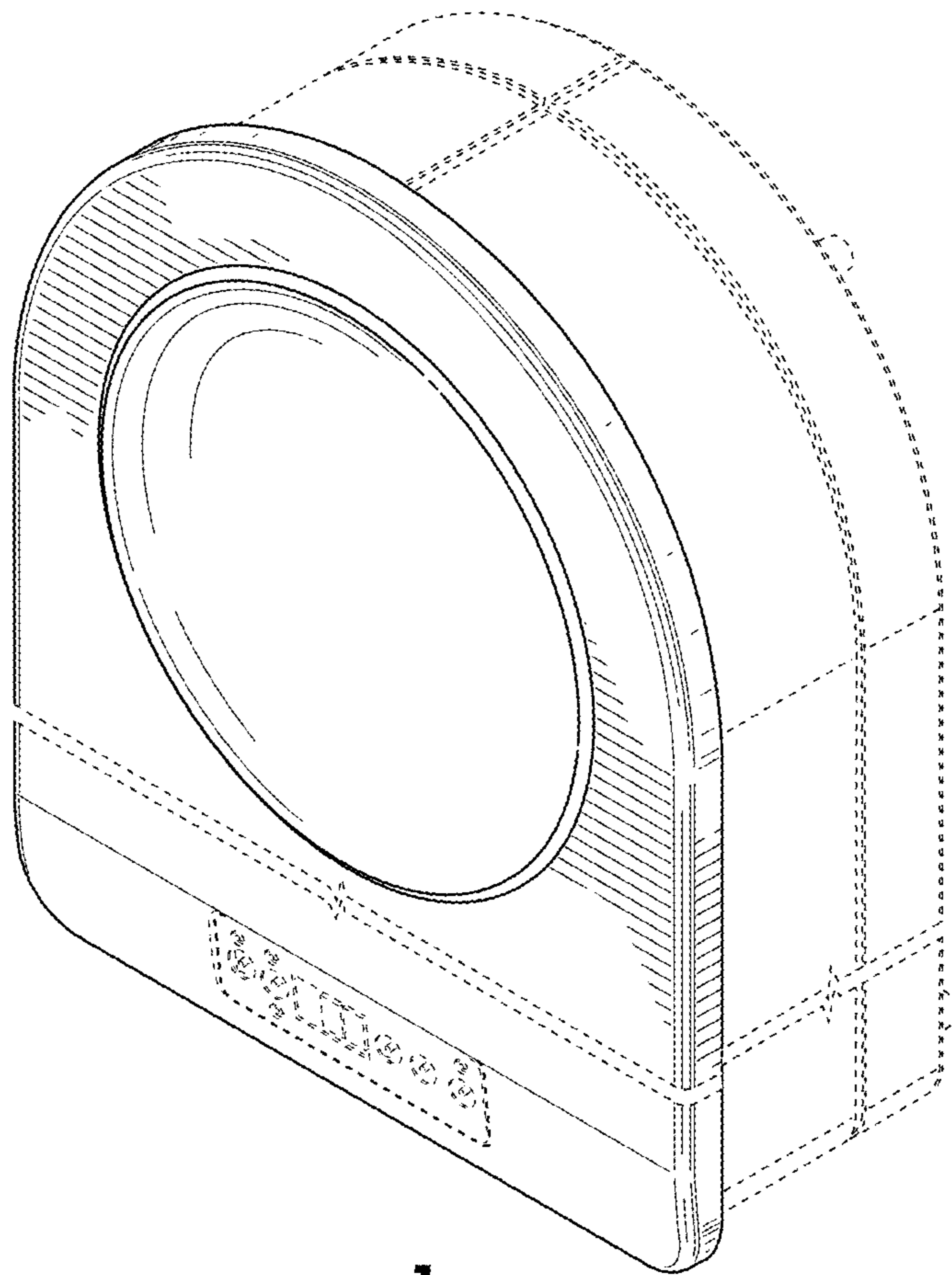


FIG. 1

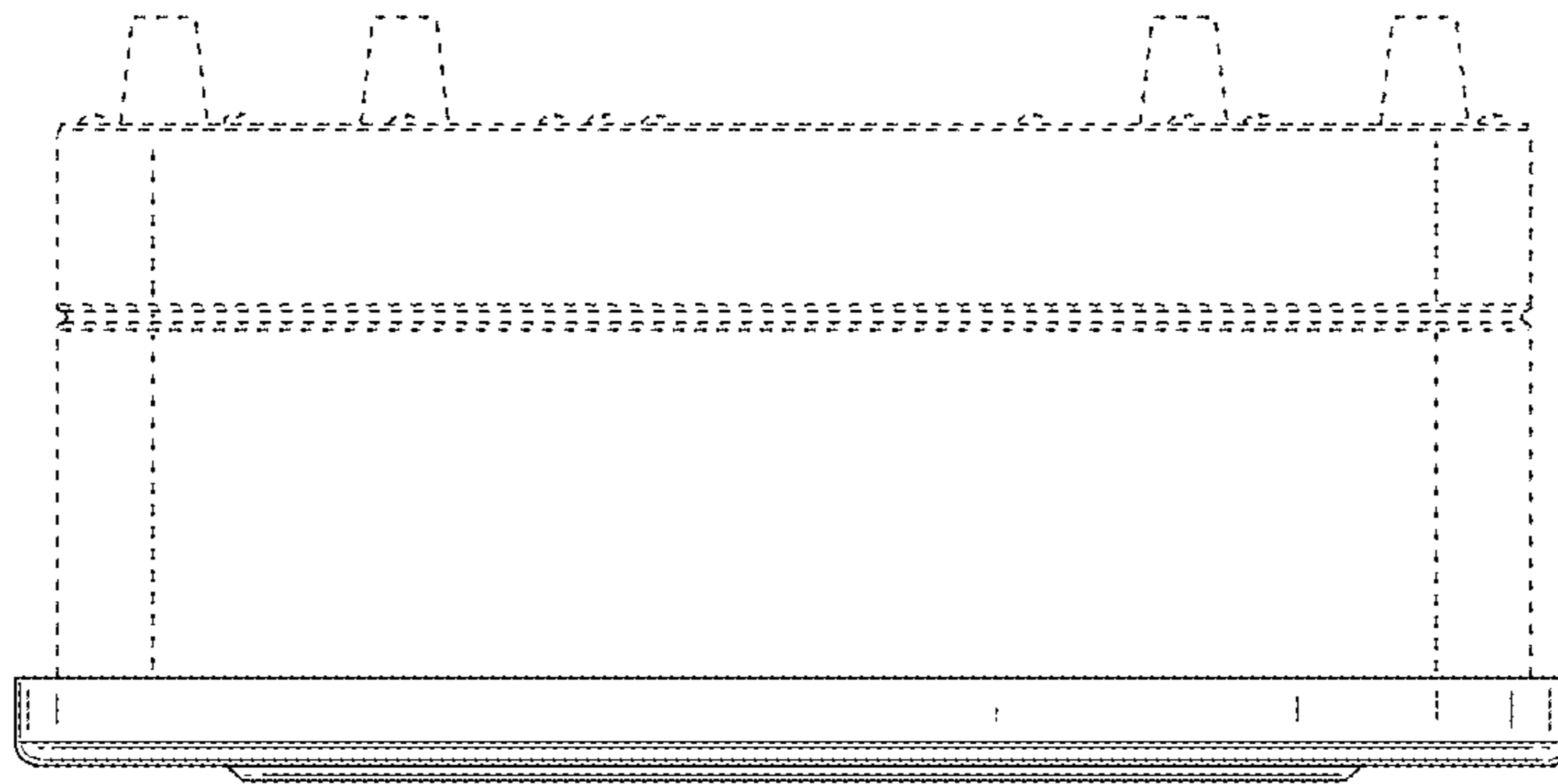


FIG. 2

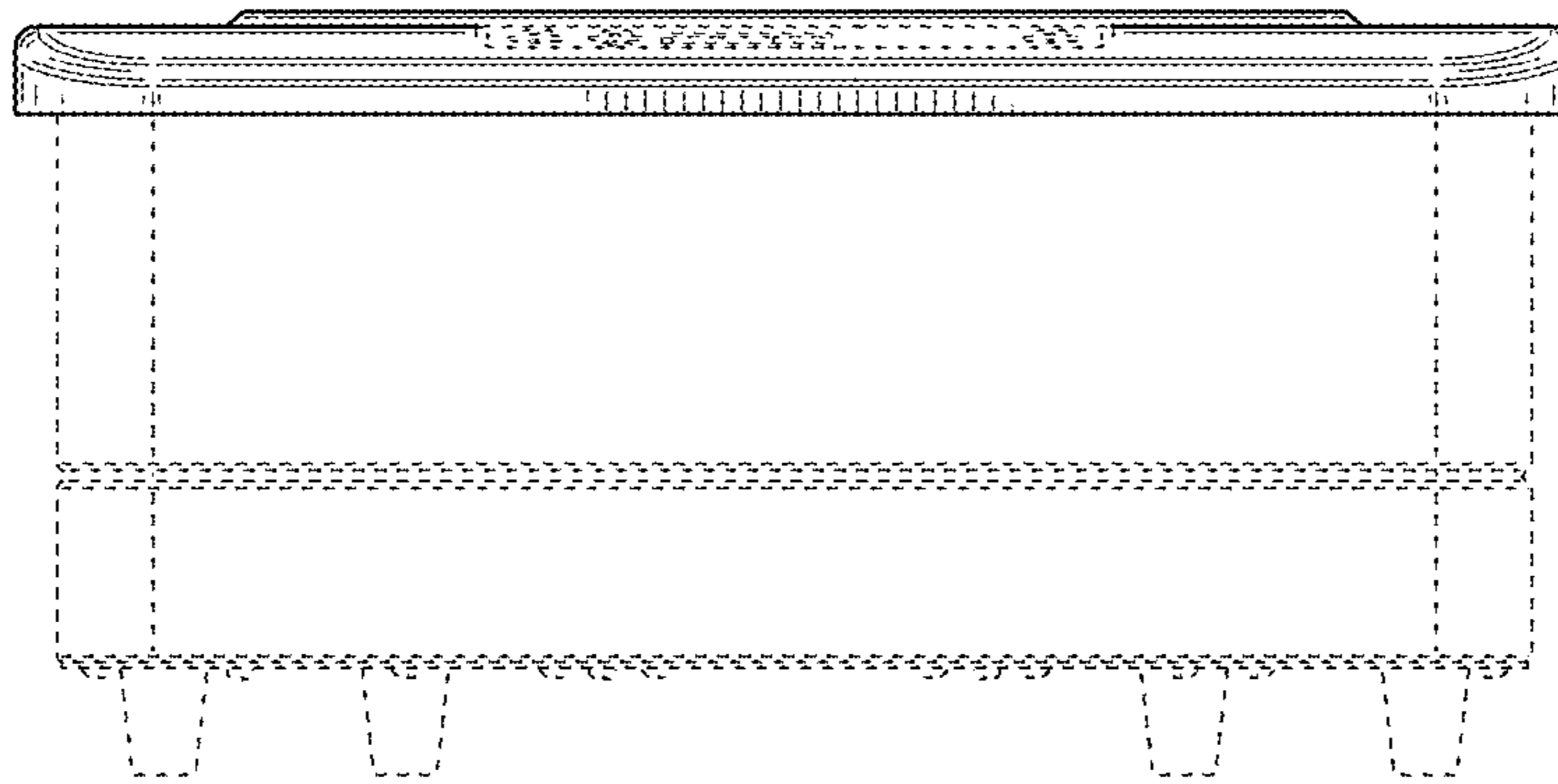


FIG. 3

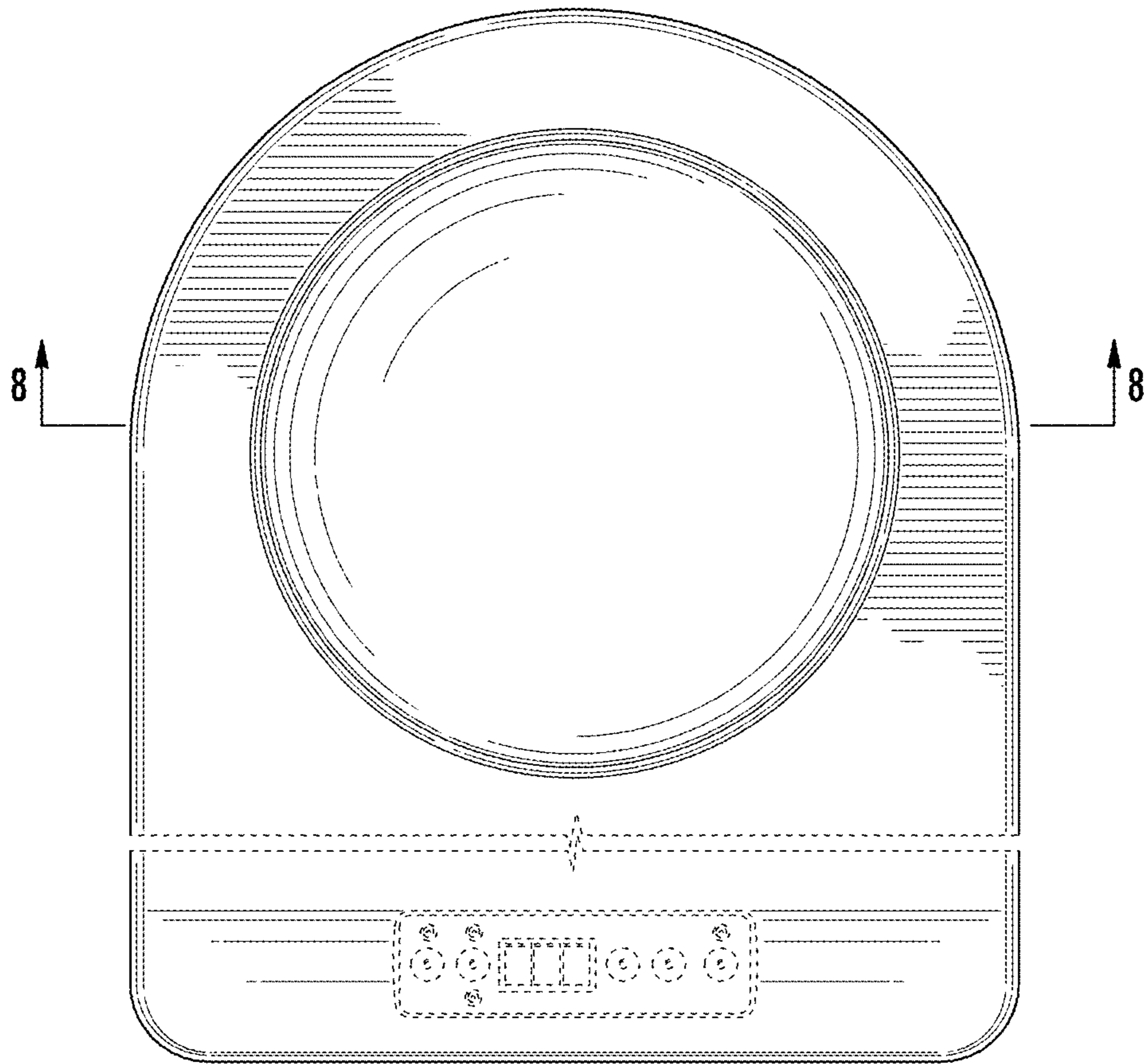


FIG. 4

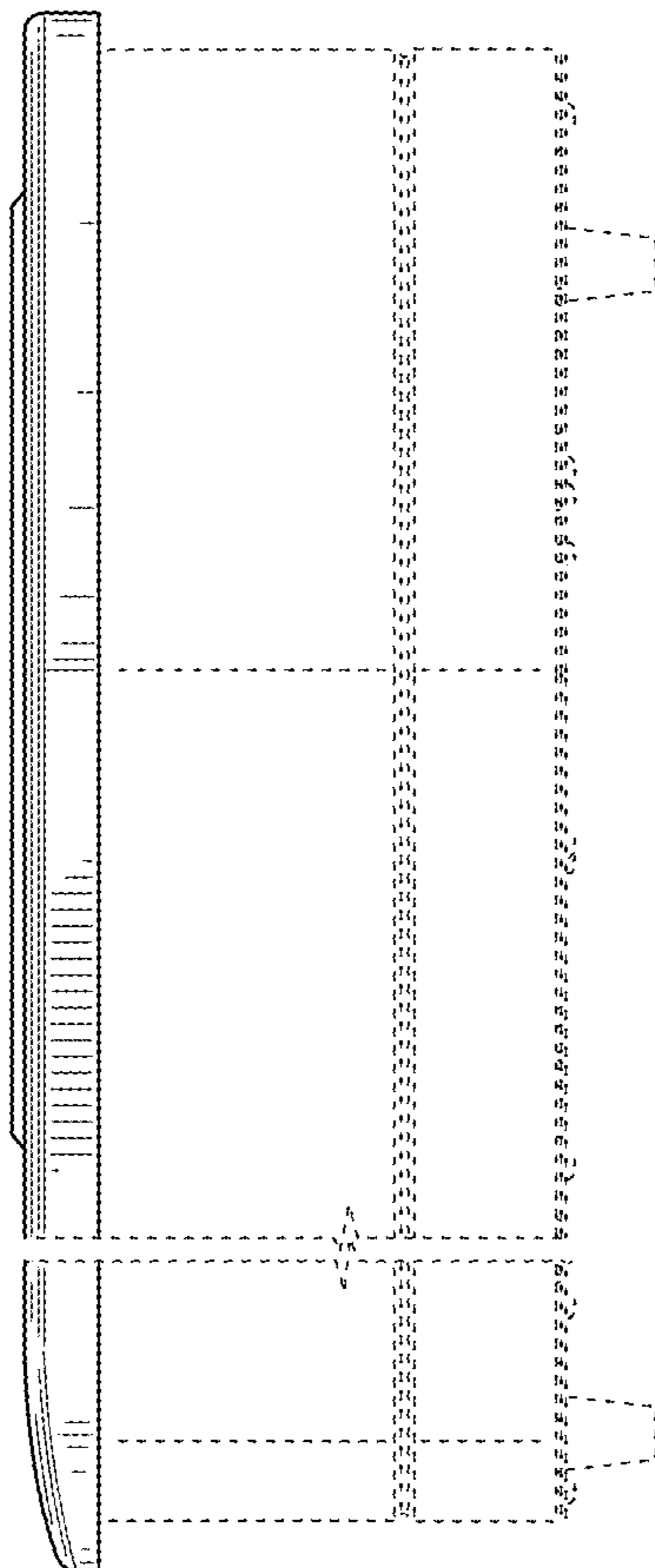


FIG. 6

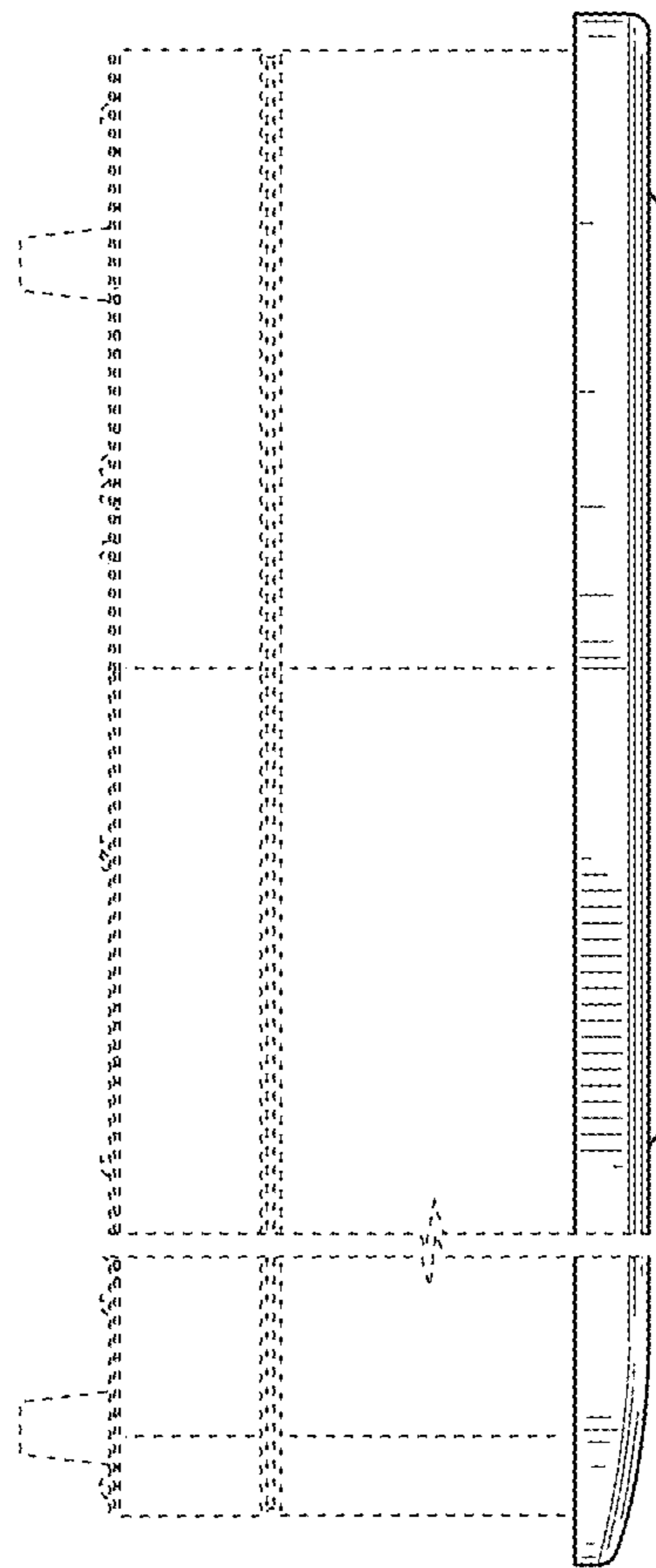


FIG. 7

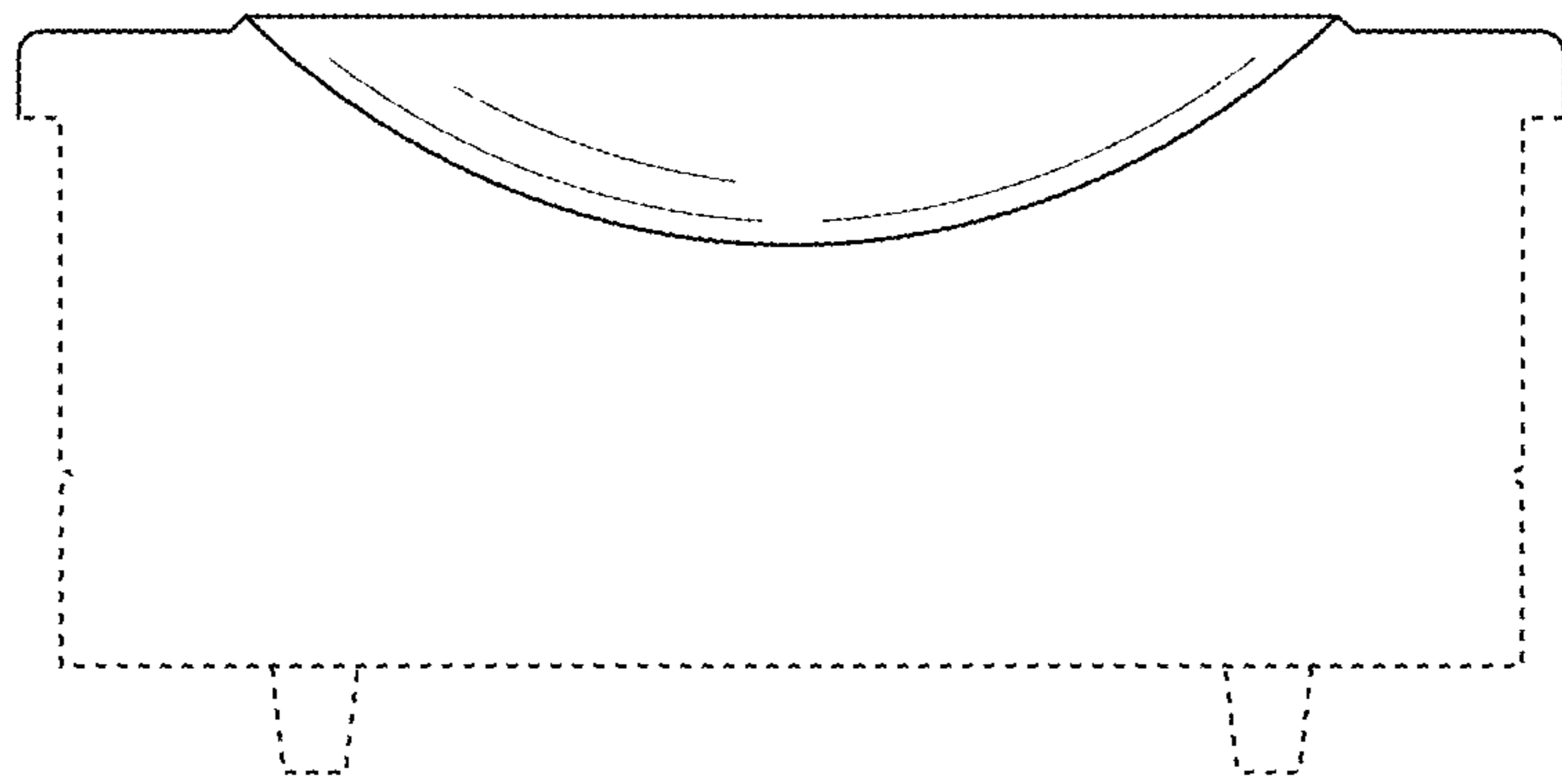


FIG. 8