



US00D698594S

(12) **United States Design Patent**
Ishikawa

(10) **Patent No.:** **US D698,594 S**
(45) **Date of Patent:** **** Feb. 4, 2014**

(54) **ELECTRIC RICE COOKER**
(71) Applicant: **Tiger Corporation**, Osaka (JP)
(72) Inventor: **Shinji Ishikawa**, Osaka (JP)
(73) Assignee: **Tiger Corporation**, Osaka (JP)
(**) Term: **14 Years**

D505,293 S * 5/2005 Jung D7/354
D587,960 S * 3/2009 Kotani D7/354
D604,092 S * 11/2009 Kotani D7/354
D609,522 S * 2/2010 Nakatani D7/354
D632,128 S * 2/2011 Lam D7/354
D637,452 S * 5/2011 Nakatani D7/354
D641,586 S * 7/2011 Martin D7/361
D684,806 S * 6/2013 Nakatani D7/354
D684,807 S 6/2013 Nakatani

(21) Appl. No.: **29/455,288**
(22) Filed: **May 20, 2013**

FOREIGN PATENT DOCUMENTS

JP 1025959 11/1998
(Continued)

(30) **Foreign Application Priority Data**

Nov. 24, 2012 (JP) 2012-028763

(51) **LOC (10) Cl.** **07-02**
(52) **U.S. Cl.**
USPC **D7/354**

OTHER PUBLICATIONS

“<http://kakaku.com/item/K0000318765/images/>”retrived on May 17, 2012, p1-3, which is the web-site from “Price.com (kakaku.com)” shows the electric rice cooker by Sharp; the product number: KS-Z101-S.

(Continued)

(58) **Field of Classification Search**
USPC D7/307, 323, 329–332, 339, 346–347, D7/350.1–350.4, 353–367, 391, 393, 395, D7/402, 406, 409, 538, 542; 99/324–325, 99/331–332, 337–343, 369, 400–418, 422, 99/425, 444, 451, 483; 126/37 R, 261, 126/374.1, 378.1; 206/501–505, 507–508; 219/400, 405, 429–442, 620–624, 725, 219/730–735; 220/203.05, 203.07, 203.09, 220/298, 315–316, 573.1–573.5, 912; 426/438, 441

Primary Examiner — Ricky Pham
(74) *Attorney, Agent, or Firm* — Jianq Chyun IP Office

See application file for complete search history.

(57) **CLAIM**
The ornamental design for an electric rice cooker, as shown and described.

(56) **References Cited**

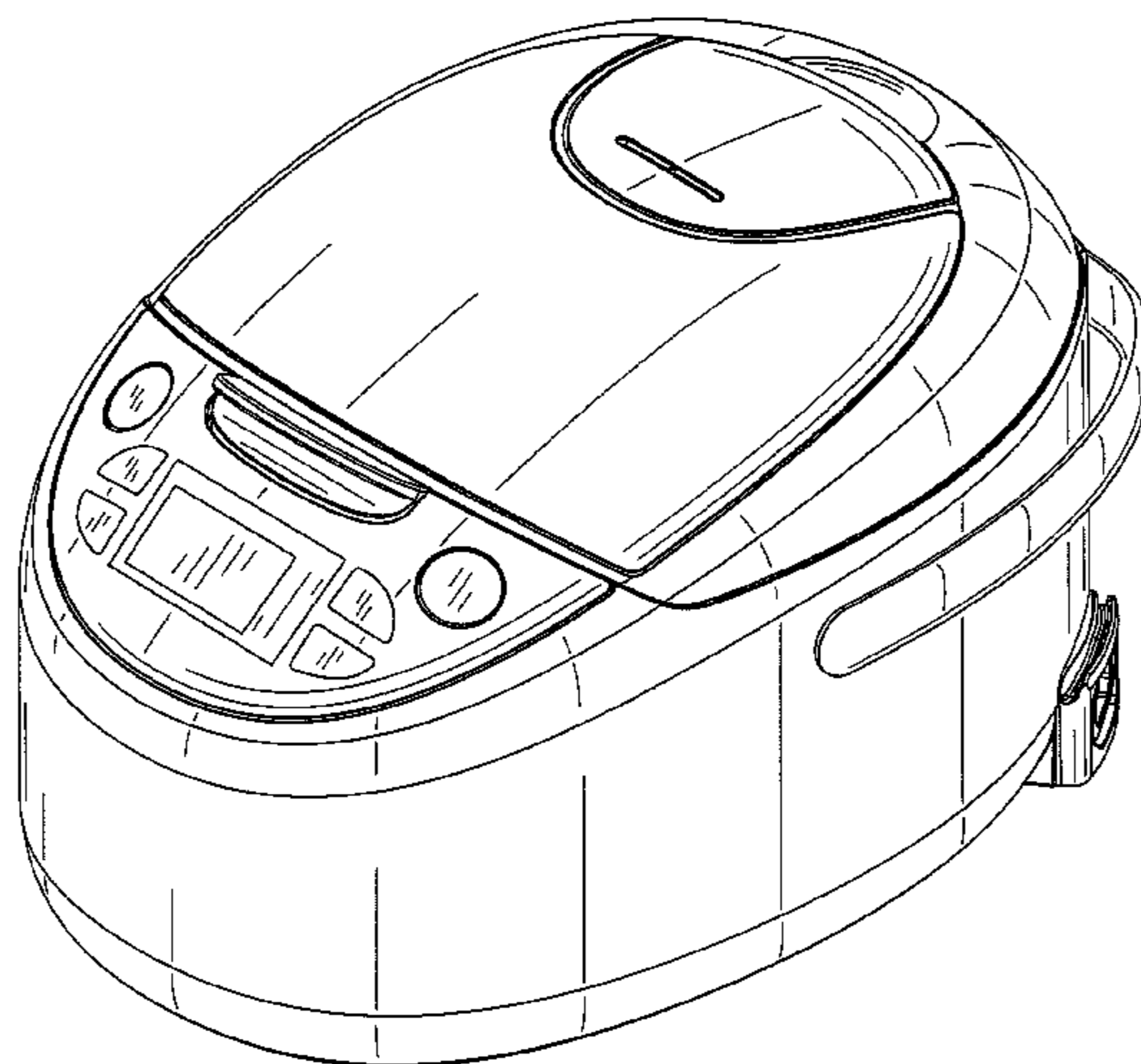
U.S. PATENT DOCUMENTS

D330,825 S * 11/1992 Sekita et al. D7/354
D410,815 S * 6/1999 Oger D7/354
D452,412 S * 12/2001 Jeong D7/354
D475,570 S * 6/2003 Josancy D7/354
D489,223 S * 5/2004 Jung et al. D7/358

DESCRIPTION

FIG. 1 is a perspective view of an electric rice cooker showing my new design;
FIG. 2 is a front view thereof;
FIG. 3 is a rear view thereof;
FIG. 4 is a left side view thereof;
FIG. 5 is a right side view thereof;
FIG. 6 is a top view thereof; and,
FIG. 7 is a bottom view thereof.

1 Claim, 7 Drawing Sheets



(56)

References Cited

OTHER PUBLICATIONS

FOREIGN PATENT DOCUMENTS

JP	1025959-1	11/1998
JP	1129285	12/2001
JP	1234989	4/2005
JP	1265094	3/2006
JP	1327800	4/2008
JP	1344492	11/2008
JP	1349934	2/2009
JP	1350248	2/2009

“<http://kakaku.com/item/K0000044956/images/>”retrived on May 17, 2012, p1-3, which is the web-site from “Price.com (kakaku.com)” shows the electric rice cooker by Mitsubishi; the product number: NJ-UV10.

“<http://img1.kakaku.k-img.com/images/productimage/fullscale/K0000281896.jpg>”retrived on May 17, 2012, p1-2, which is the web-site from “Price.com (kakaku.com)” shows the electric rice cooker by Zojirushi.

* cited by examiner

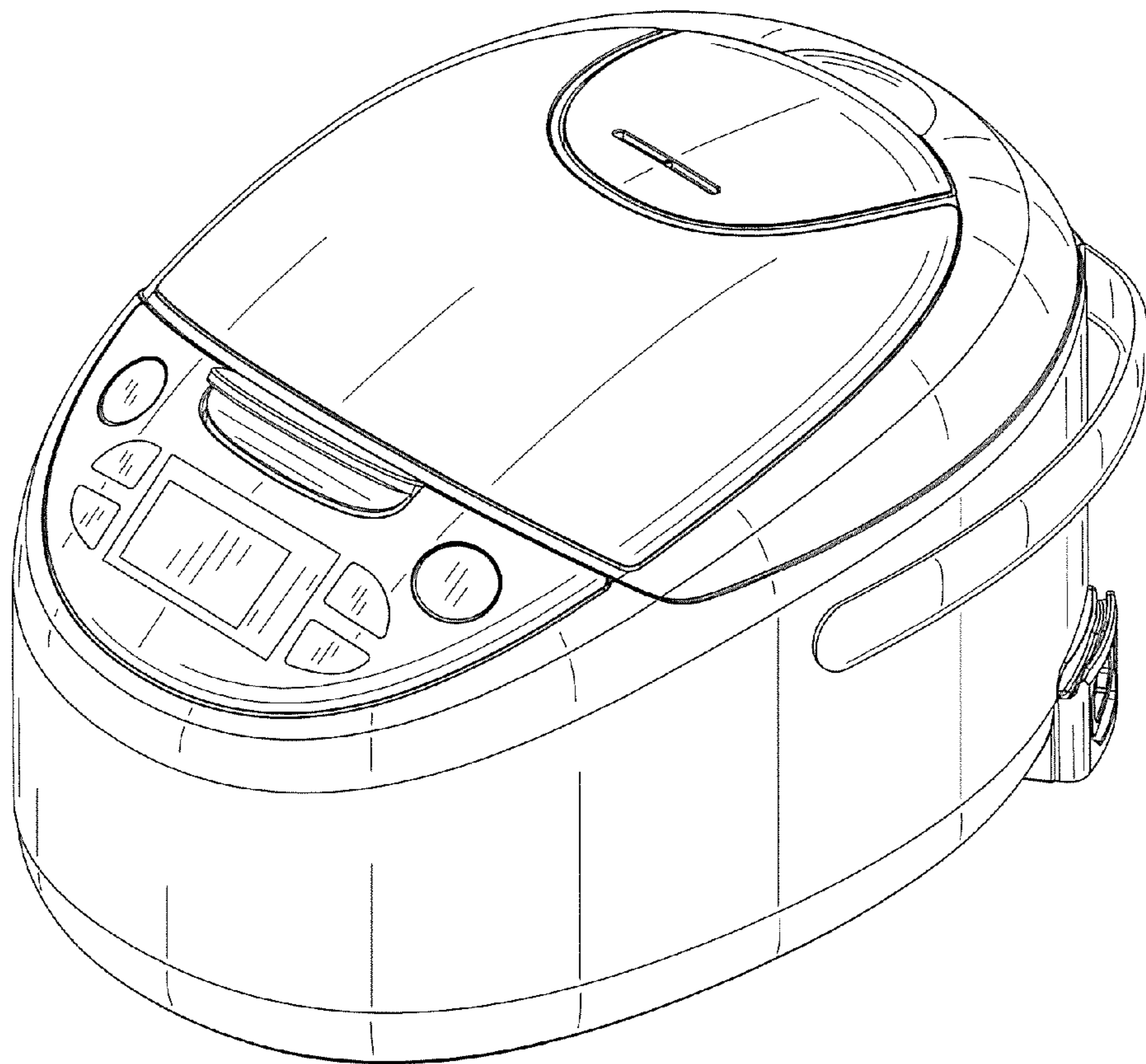


FIG. 1

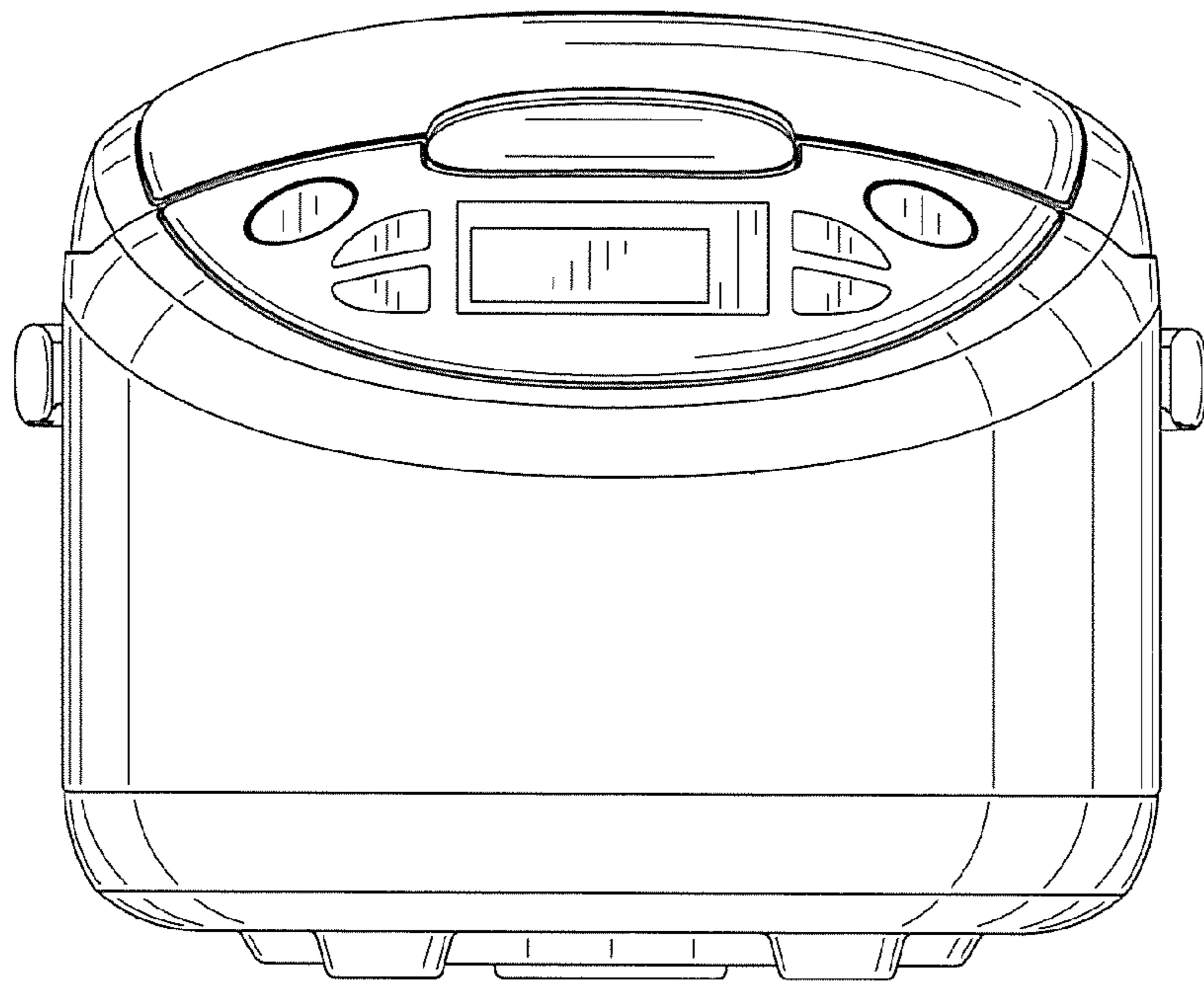


FIG. 2

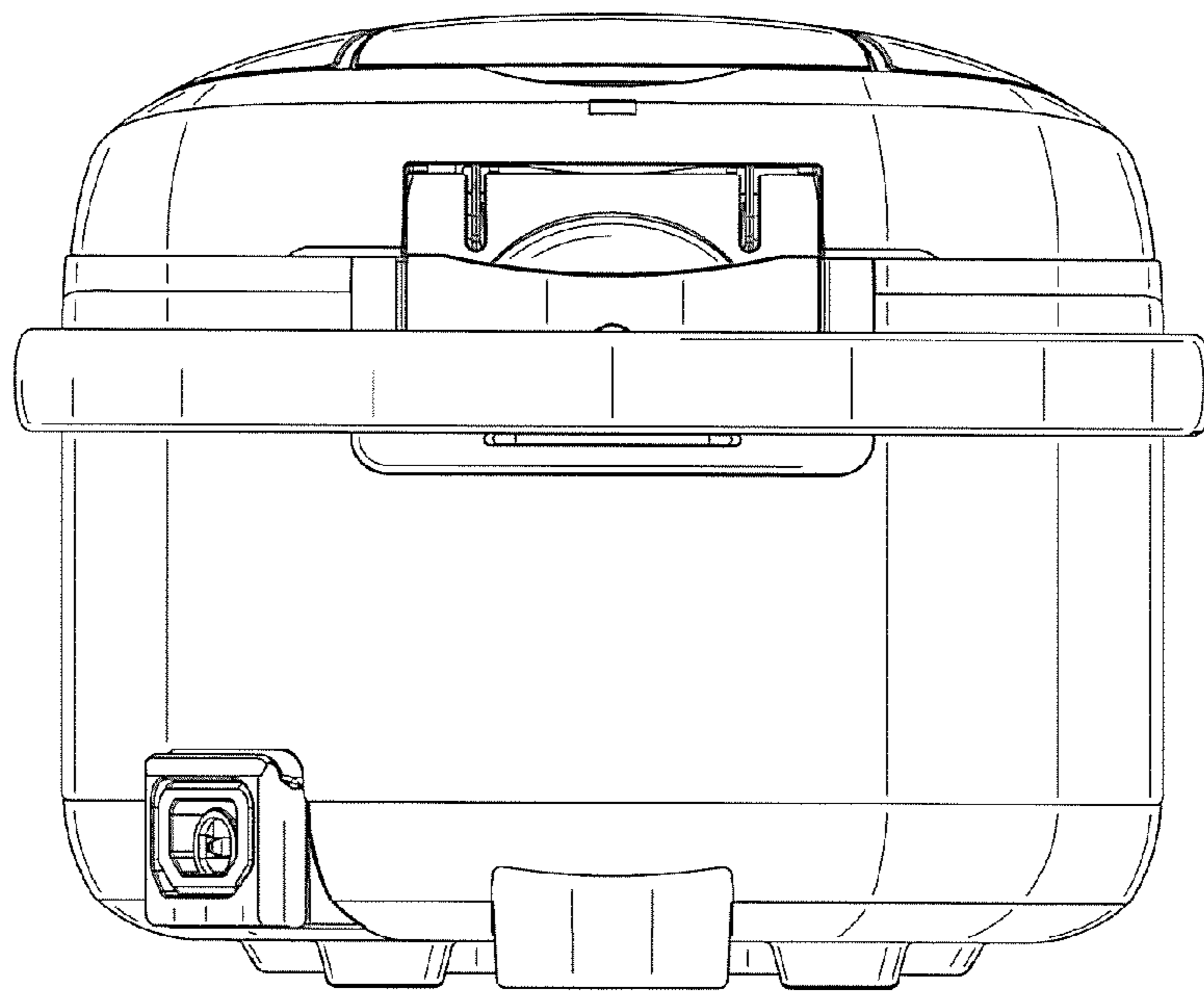


FIG. 3

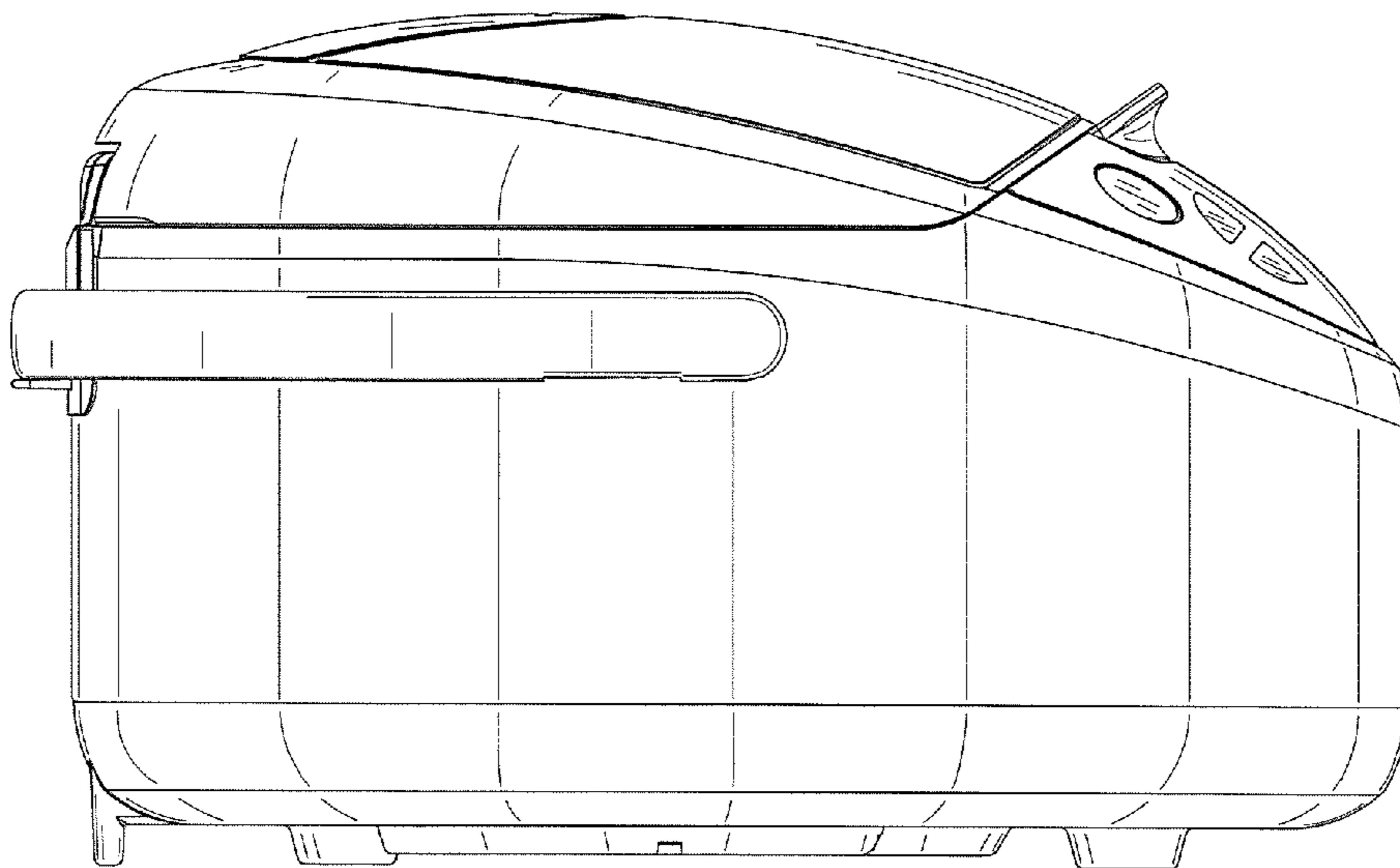


FIG. 4

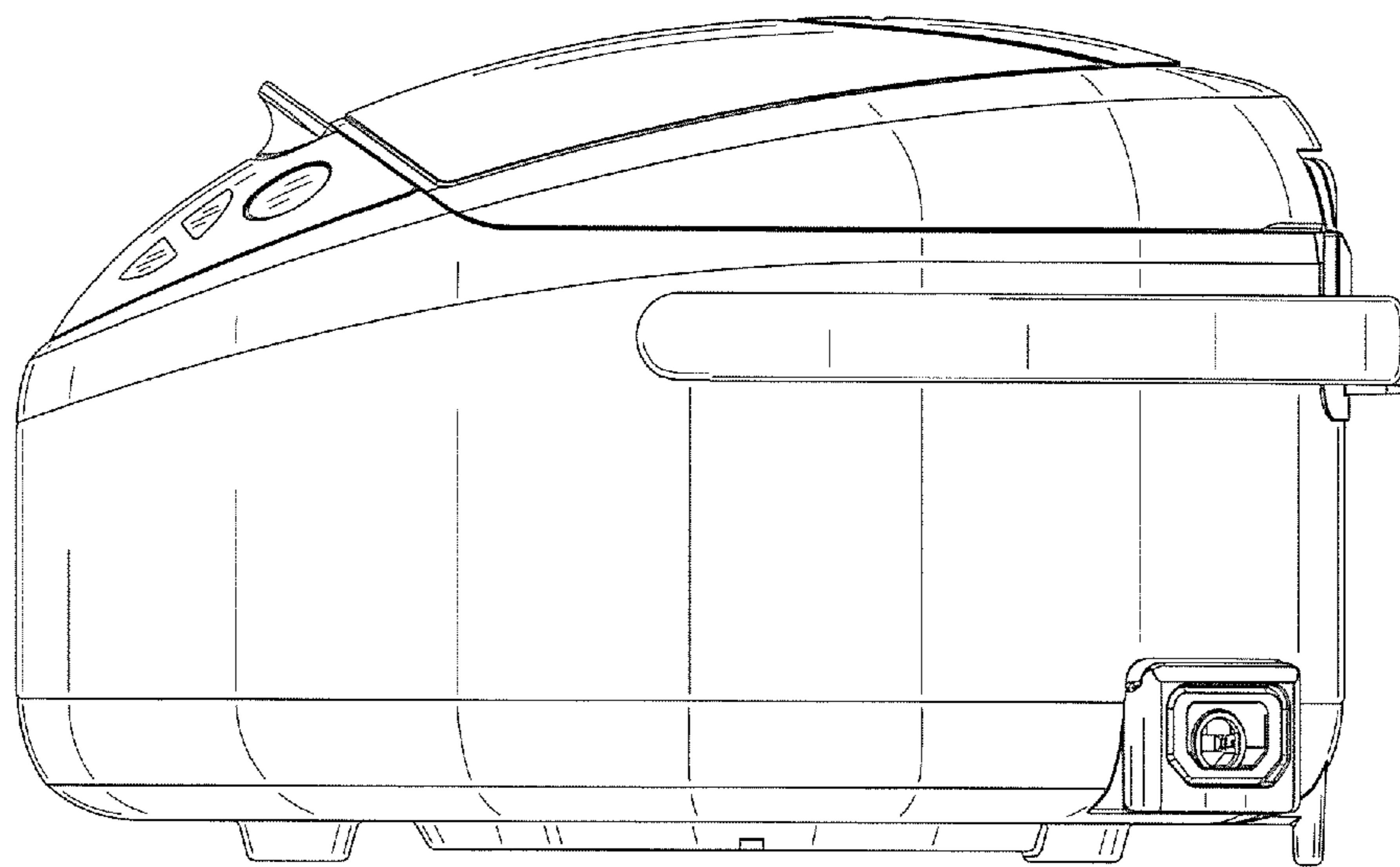


FIG. 5

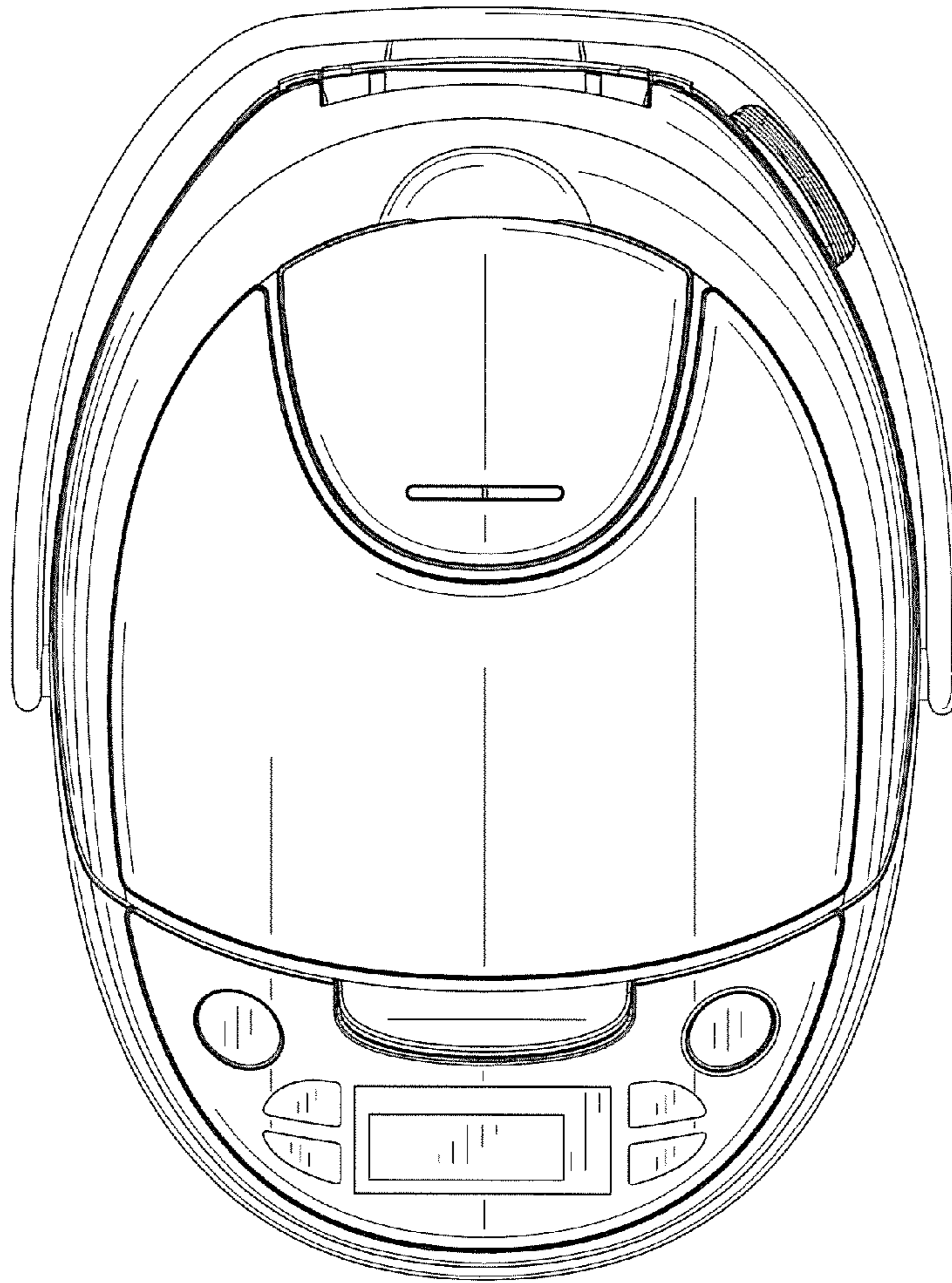


FIG. 6

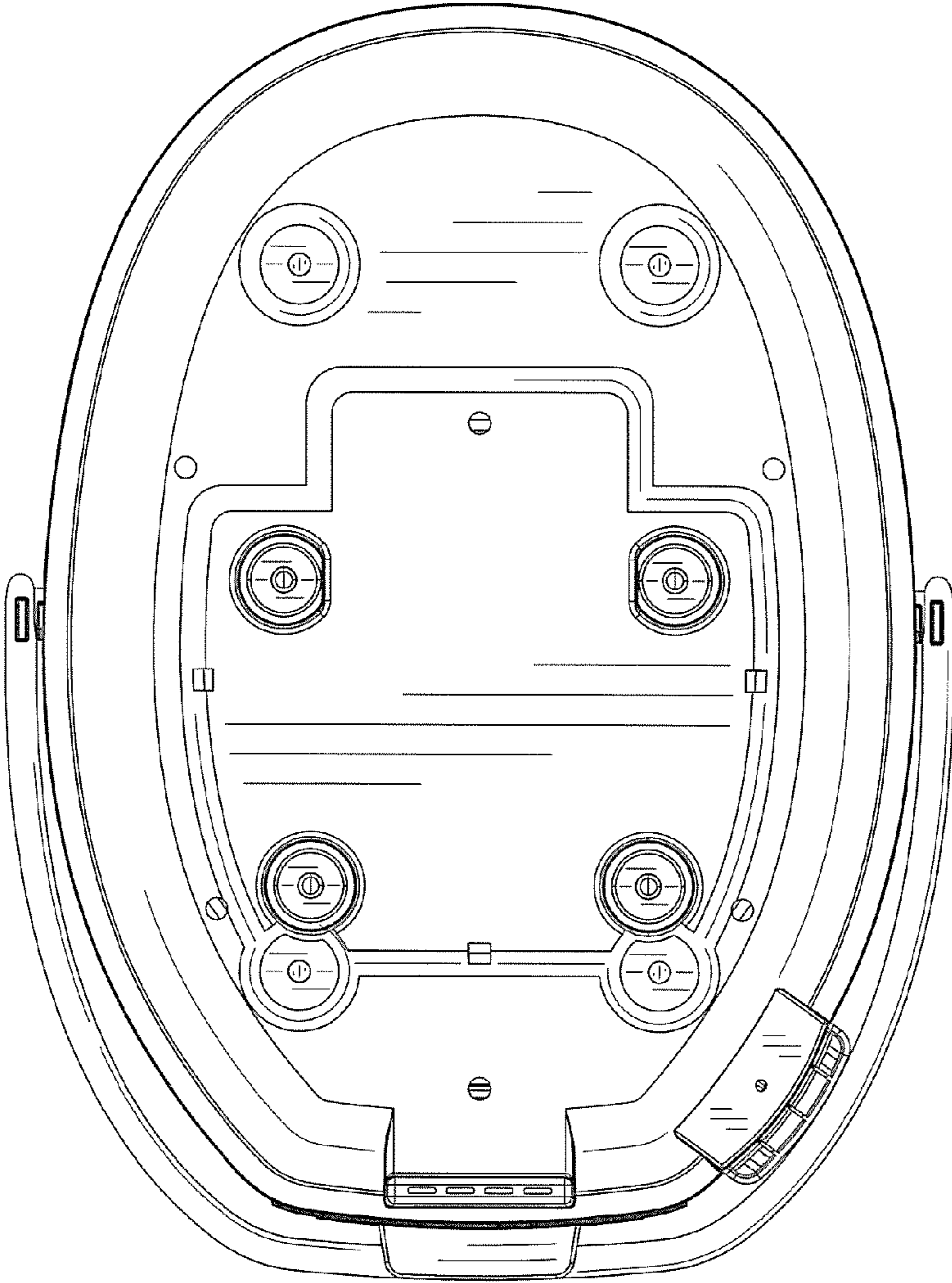


FIG. 7