

US00D698592S

(12) **United States Design Patent**
Rivera et al.

(10) **Patent No.:** **US D698,592 S**
(45) **Date of Patent:** **** Feb. 4, 2014**

- (54) **PLAYARD**
- (75) Inventors: **Matthew L. Rivera**, Mableton, GA (US); **Annette Stella**, Downingtown, PA (US); **Brandon Seth Cross**, Atlanta, GA (US); **Lauren Westin**, London (GB)
- (73) Assignee: **Graco Children's Products Inc.**, Atlanta, GA (US)

D604,970	S	12/2009	Troutman et al.	
D615,822	S	5/2010	Klein	
D660,085	S *	5/2012	Boone	D7/553.2
8,321,973	B2	12/2012	Bickley	
2004/0261174	A1	12/2004	DeHart et al.	
2005/0229308	A1	10/2005	Chen	
2006/0253979	A1 *	11/2006	Chen	5/93.1
2007/0061961	A1 *	3/2007	Shamie	5/93.1
2009/0113622	A1	5/2009	Hartenstine	

- (**) Term: **14 Years**
- (21) Appl. No.: **29/416,163**
- (22) Filed: **Mar. 19, 2012**
- (51) **LOC (10) Cl.** **06-06**
- (52) **U.S. Cl.**
USPC **D6/718**
- (58) **Field of Classification Search**
USPC D6/718, 718.26, 331, 390, 391; 5/93.1, 5/98.1, 99.1, 101, 658, 503.1, 946; D3/313; D7/553.2
See application file for complete search history.

OTHER PUBLICATIONS

Baby Trend Nursery Center Instruction Manual; © 2010-2011; printed Jul. 2011.
Baby Trend Close N Cozy Bassinet Instruction Manual; © 2010; printed Oct. 2011.

* cited by examiner

Primary Examiner — Janice Seeger
(74) *Attorney, Agent, or Firm* — Lempia Summerfield Katz LLC

(57) **CLAIM**
The ornamental design for a “playard,” as shown and described.

(56) **References Cited**

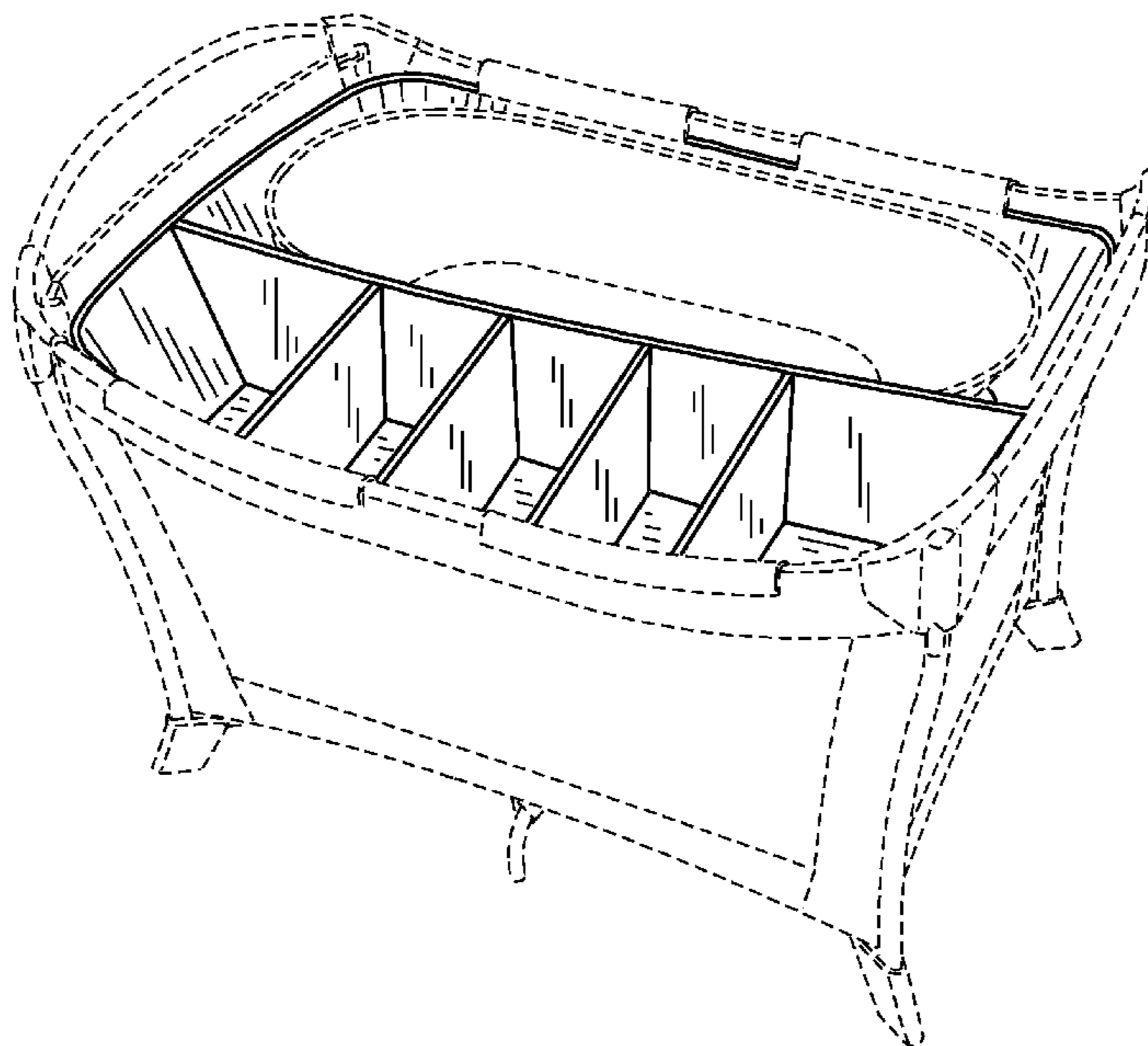
U.S. PATENT DOCUMENTS

D352,203	S *	11/1994	Campbell et al.	D7/553.2
5,867,850	A	2/1999	Mariol	
D429,929	S *	8/2000	Benson	D6/503
6,192,535	B1	2/2001	Warner, Jr. et al.	
D448,218	S	9/2001	Celestina-Krevh	
6,859,957	B1	3/2005	Chen	
D510,684	S	10/2005	Crosby	
7,003,821	B2	2/2006	DeHart et al.	
7,017,203	B2	3/2006	Chen	
D537,277	S	2/2007	Chen	
7,404,219	B2	7/2008	Berkey	

DESCRIPTION

FIG. 1 is a top, front, and right side perspective view showing our new design for a playard.
FIG. 2 is top view of the playard shown in FIG. 1; and,
FIG. 3 is a top, front, and right side perspective view showing an alternate environment view of the playard shown in FIG. 1. The subject matter shown in dashed lines is for illustrative purposes and forms no part of the claimed design.

1 Claim, 3 Drawing Sheets



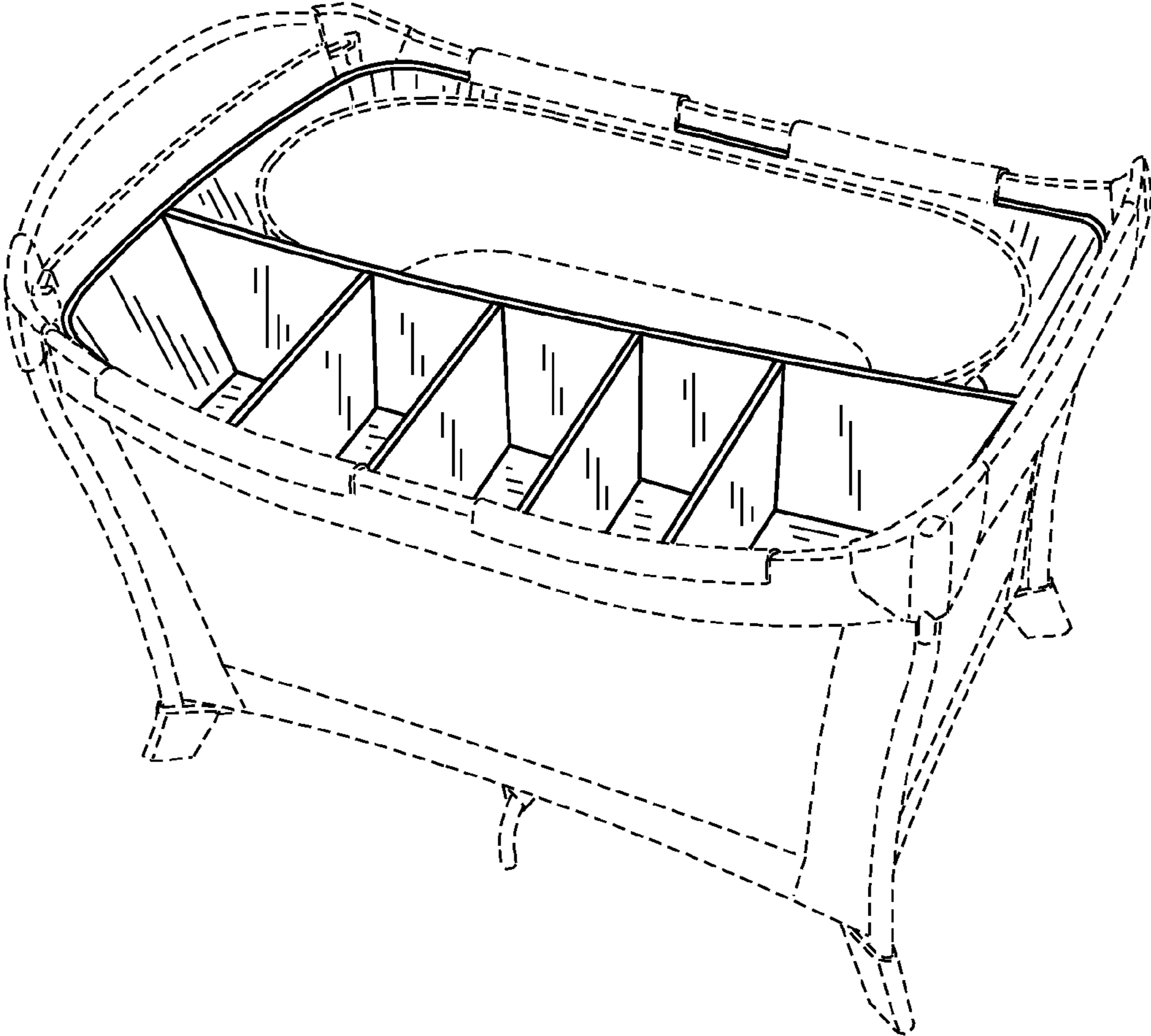


FIG. 1

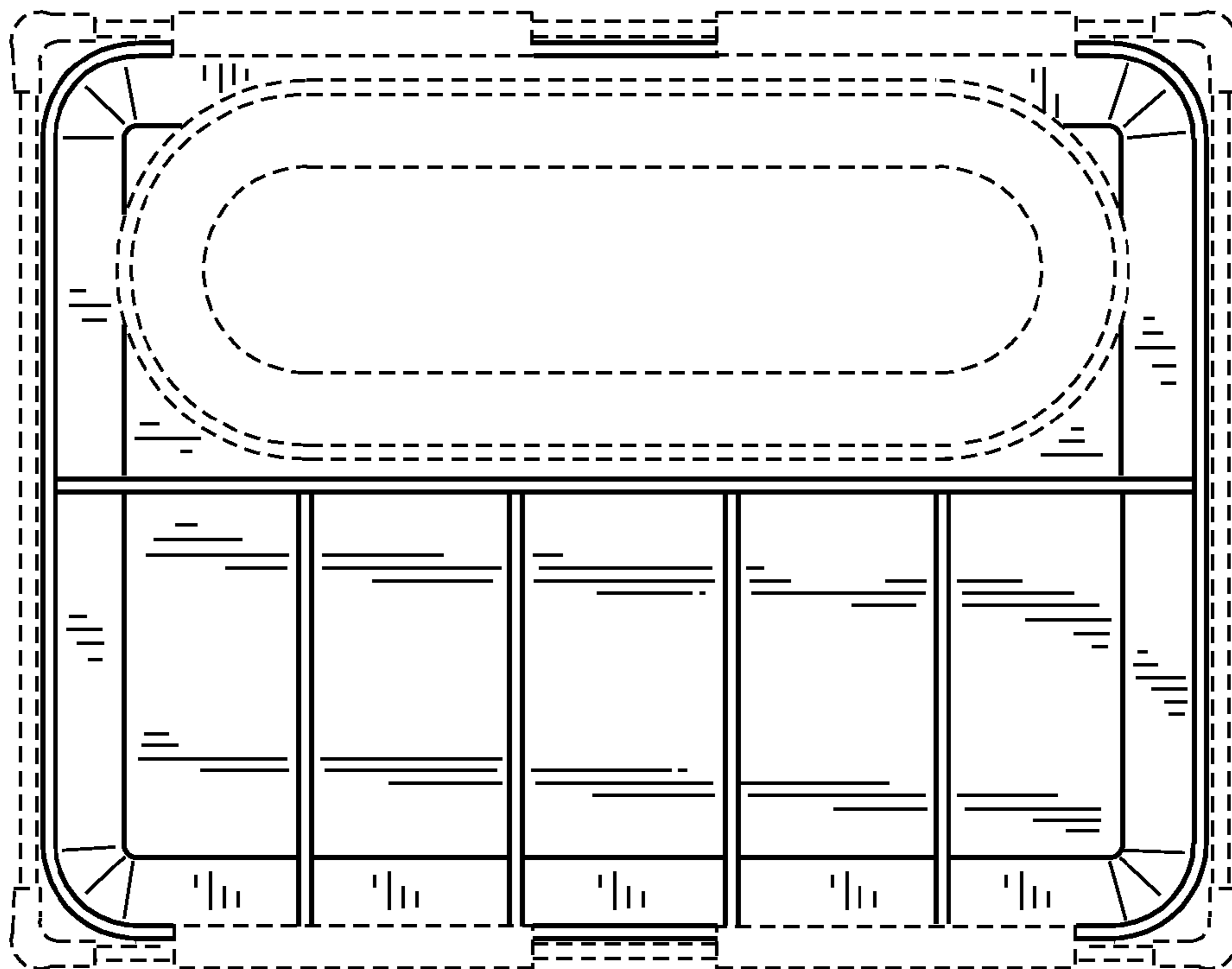


FIG. 2

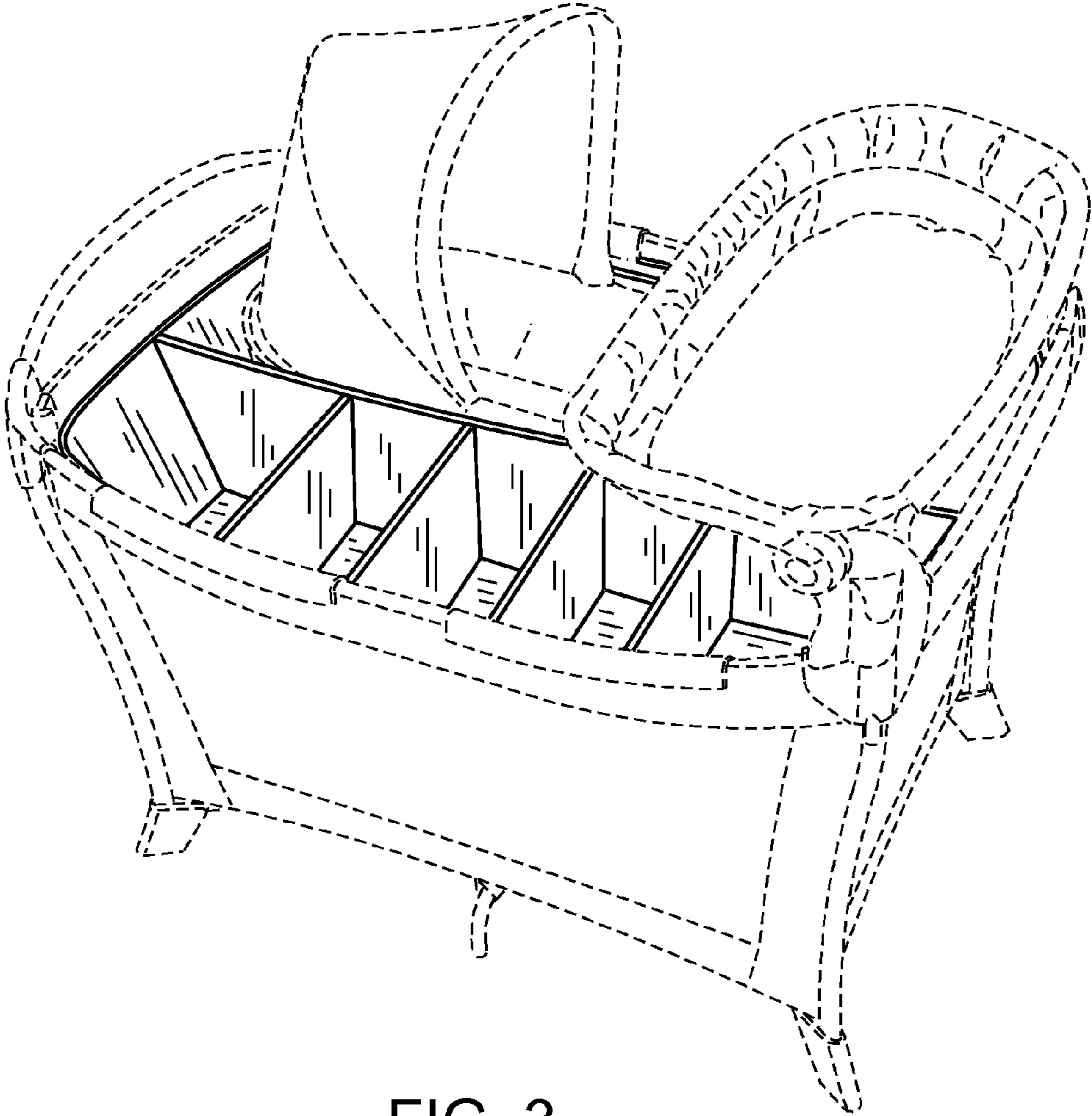


FIG. 3