



US00D698591S

(12) **United States Design Patent**  
**Koo**

(10) **Patent No.:** **US D698,591 S**  
(45) **Date of Patent:** **\*\* Feb. 4, 2014**

(54) **CHAIR BACK**

(71) Applicant: **Sidiz, Inc.**, Pyeongtaek-si (KR)

(72) Inventor: **Bonkook Koo**, Seoul (KR)

(73) Assignee: **Sidiz, Inc.**, Pyeongtaek-si, Gyeonggi-do (KR)

(\*\*) Term: **14 Years**

(21) Appl. No.: **29/438,928**

(22) Filed: **Dec. 5, 2012**

(51) **LOC (10) Cl.** ..... **06-01**

(52) **U.S. Cl.**  
USPC ..... **D6/716.4**

(58) **Field of Classification Search**  
USPC ..... D6/334-336, 356, 364, 365, 366, 367,  
D6/374, 376, 379, 380, 716, 716.1, 716.2,  
D6/716.3, 716.4; 297/411.27, 452.11,  
297/452.19, 452.21, 452.24, 452.25,  
297/452.26, 452.29, 452.48

See application file for complete search history.

(56) **References Cited**

**U.S. PATENT DOCUMENTS**

D557,027 S \* 12/2007 Hara ..... D6/366  
D567,523 S \* 4/2008 Hara ..... D6/366

D576,809 S \* 9/2008 Christianson et al. .... D6/356  
D576,810 S \* 9/2008 Christianson et al. .... D6/356  
D596,430 S \* 7/2009 Su ..... D6/716.4  
D600,477 S \* 9/2009 Su ..... D6/716.4  
D661,505 S \* 6/2012 Ballendat ..... D6/366

\* cited by examiner

*Primary Examiner* — Mimoso De

(74) *Attorney, Agent, or Firm* — Sherr & Jiang, PLLC

(57) **CLAIM**

The ornamental design for a “chair back,” as shown and described.

**DESCRIPTION**

FIG. 1 is a perspective view of chair back showing my new design;  
FIG. 2 is a front elevational view thereof;  
FIG. 3 is a back elevational view thereof;  
FIG. 4 is a left side elevational view thereof;  
FIG. 5 is a right side elevational view thereof;  
FIG. 6 is a top view thereof;  
FIG. 7 is a bottom view thereof; and,  
FIG. 8 is a reference view (a rear perspective view) thereof.  
The broken line showing the remainder of the chair is for the purpose of illustrating environmental structure and forms no part of the claimed design.

**1 Claim, 8 Drawing Sheets**

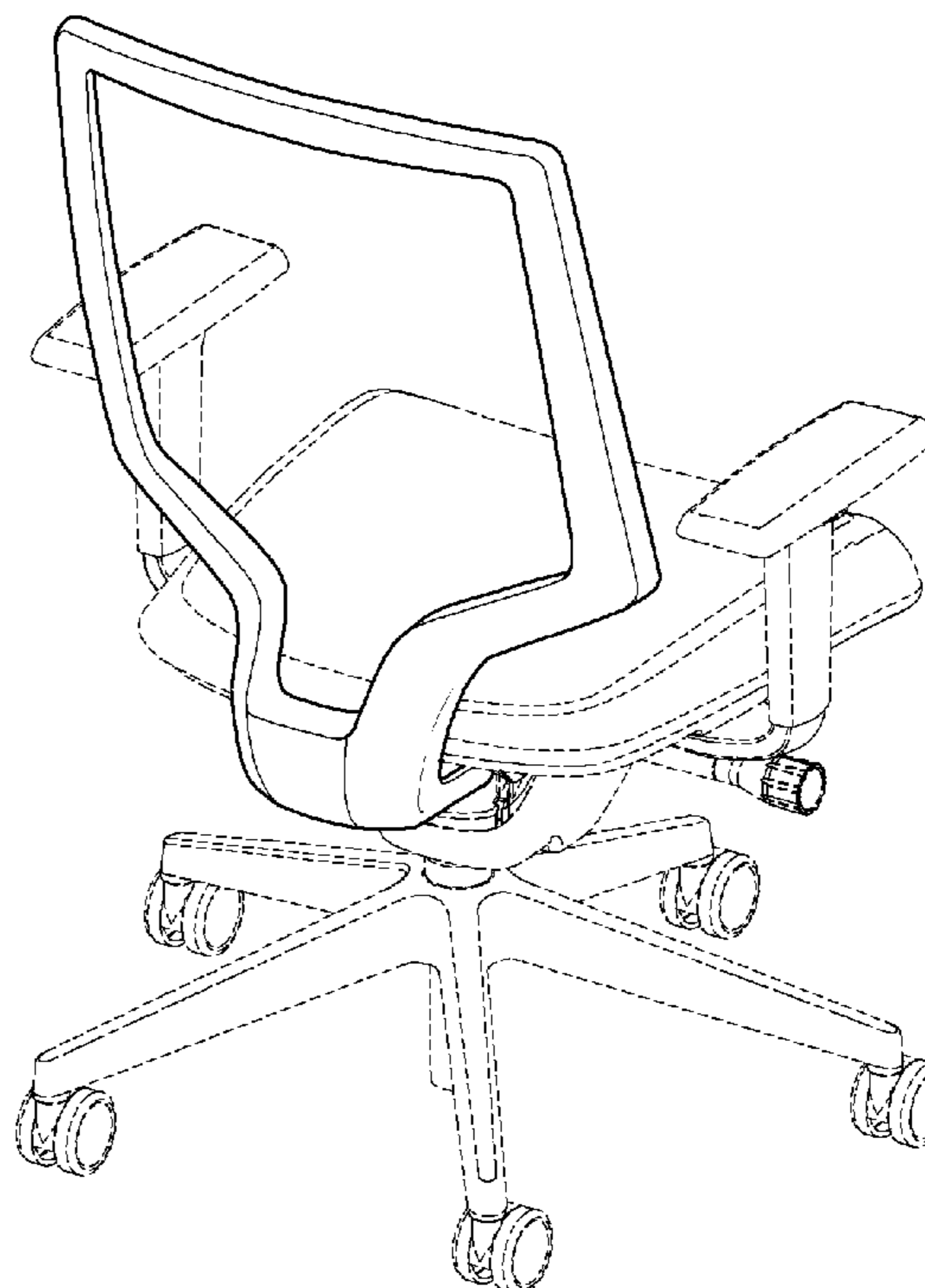
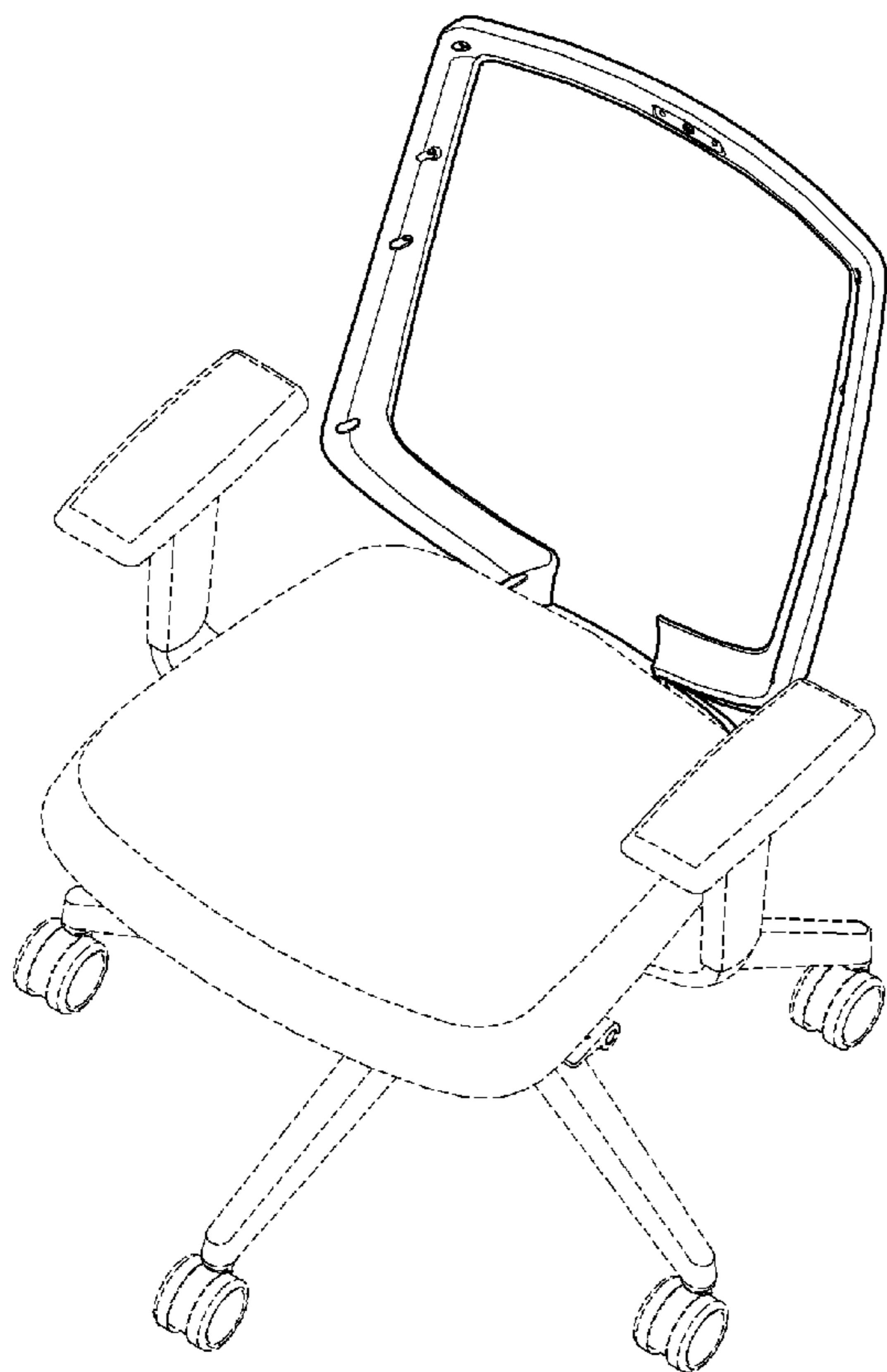
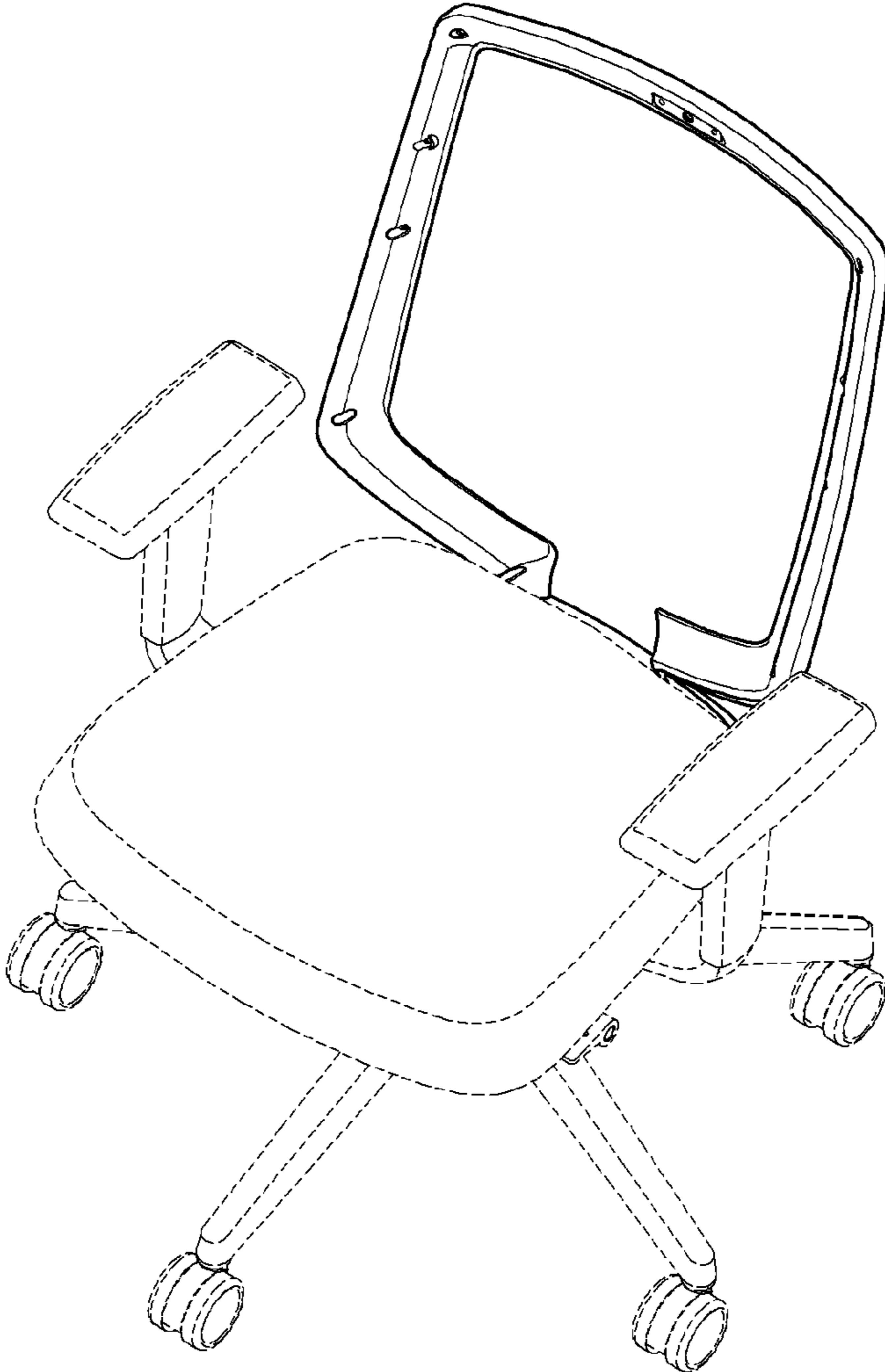


FIG. 1



**FIG. 2**

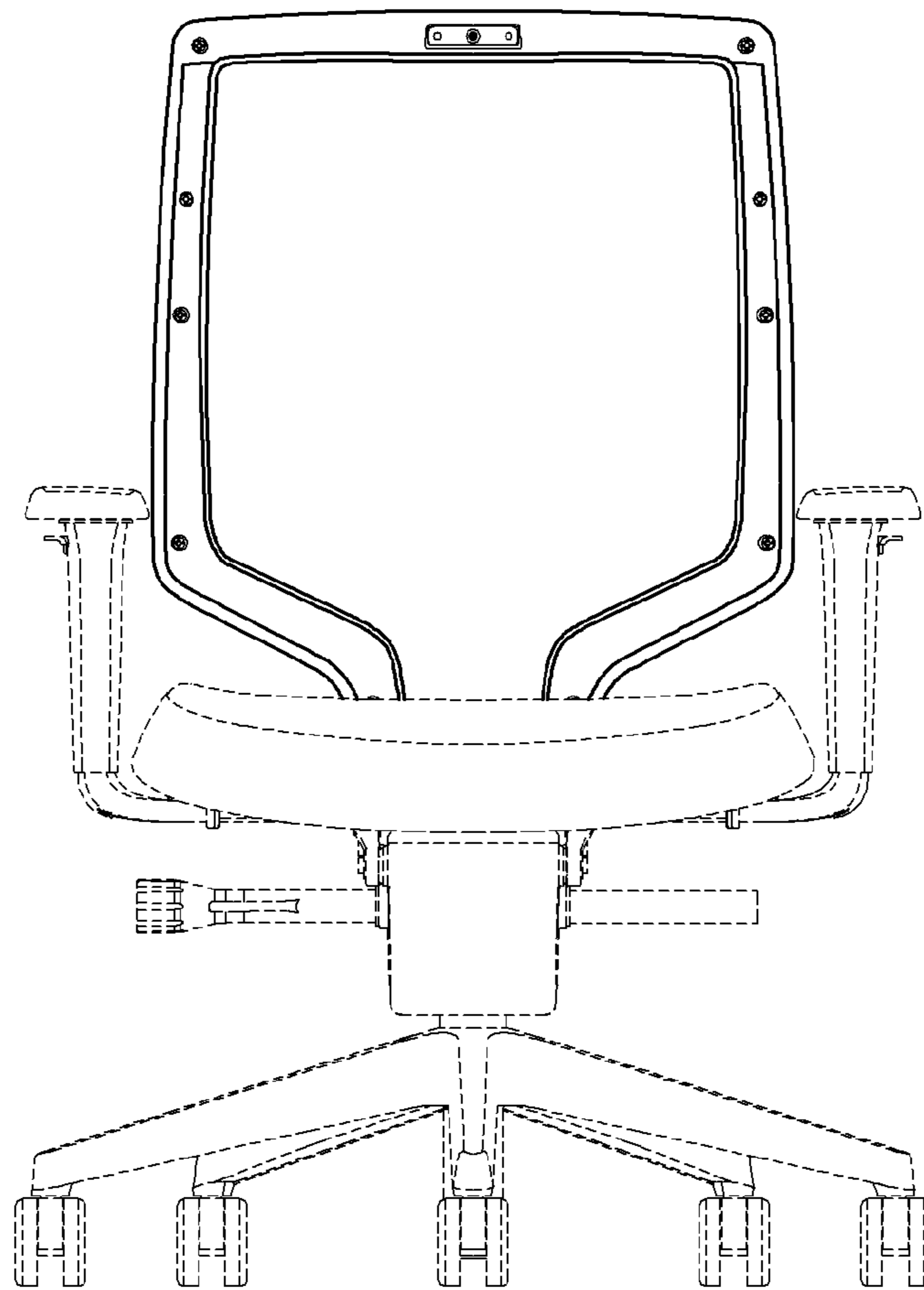
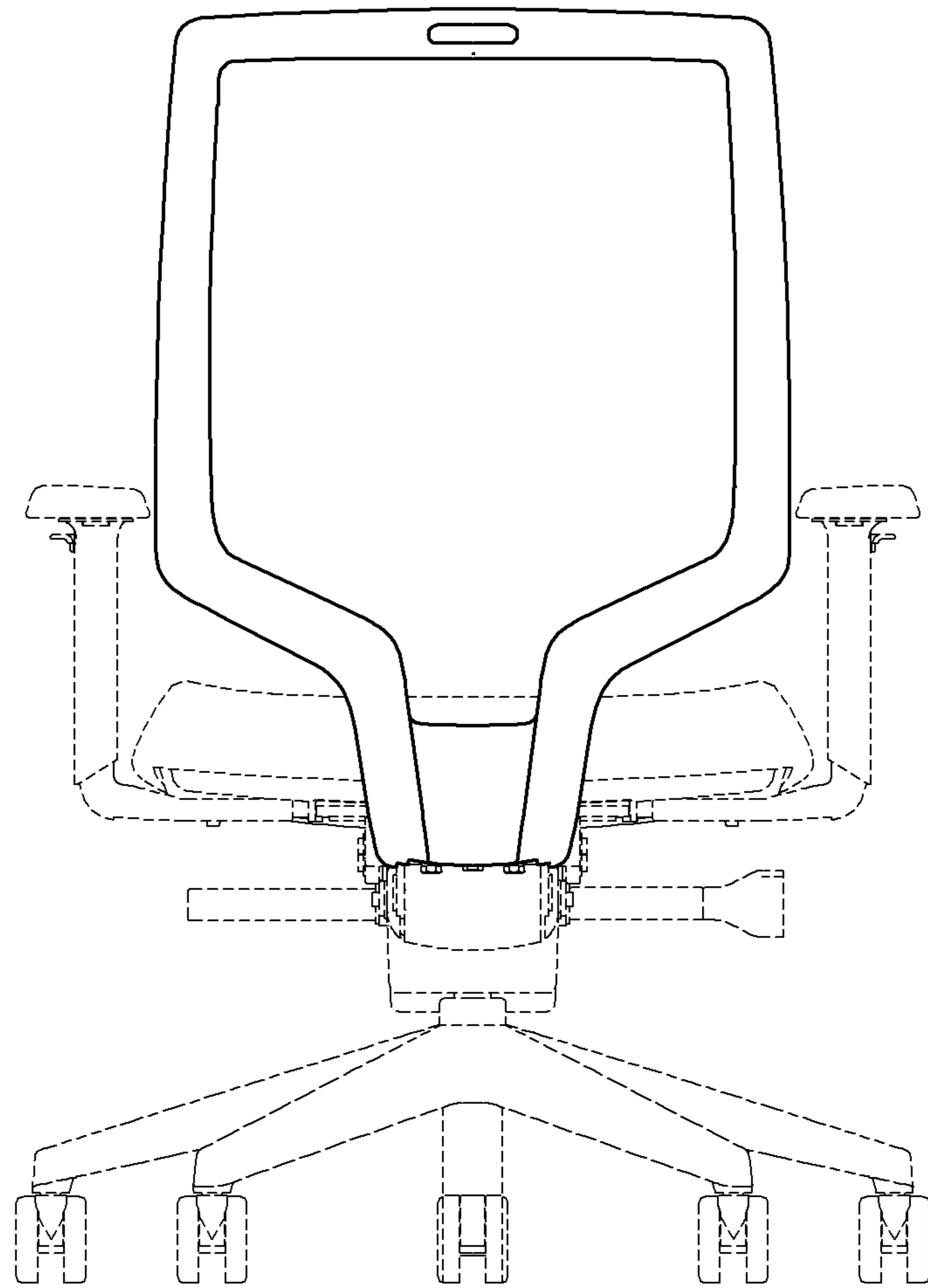
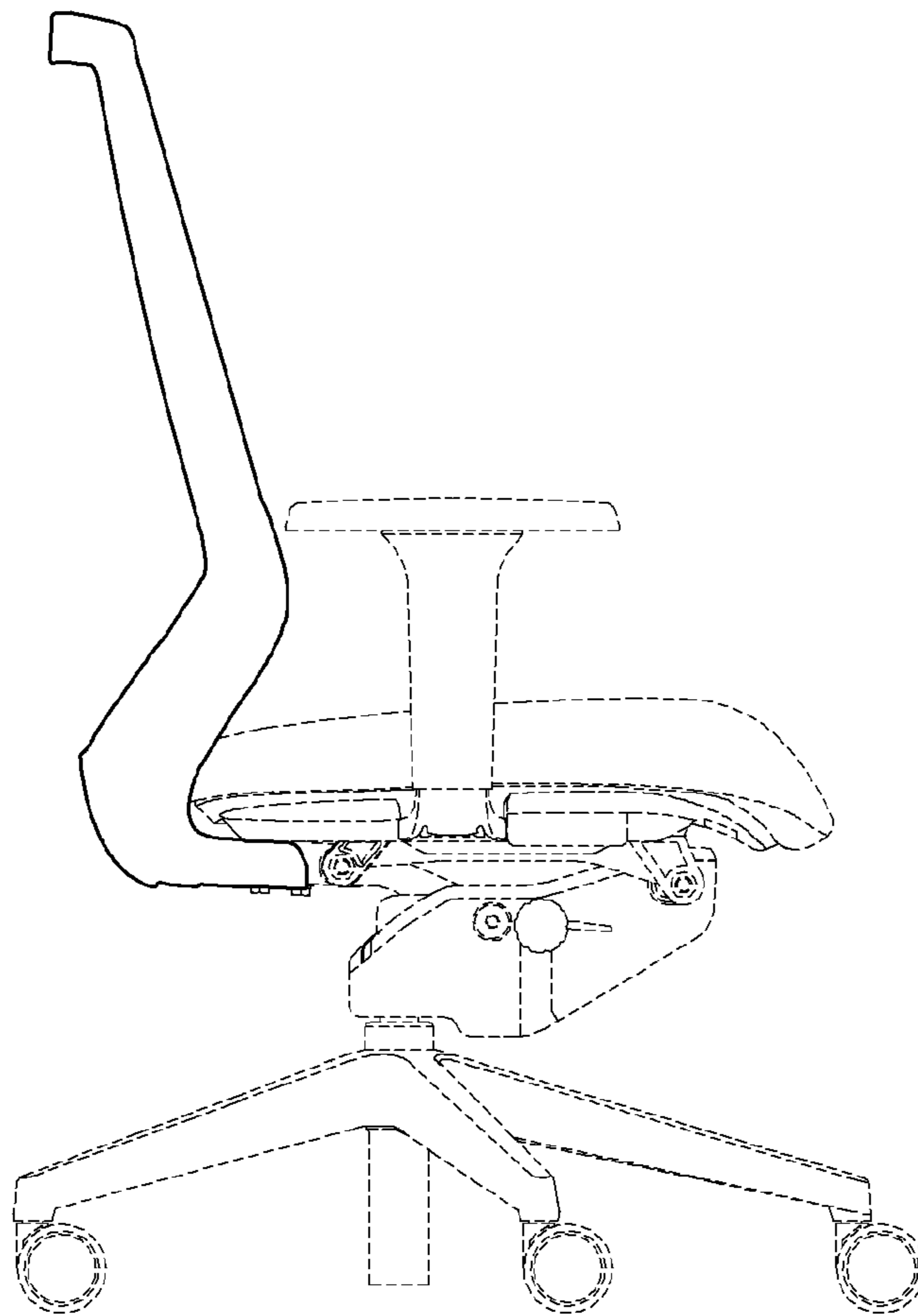


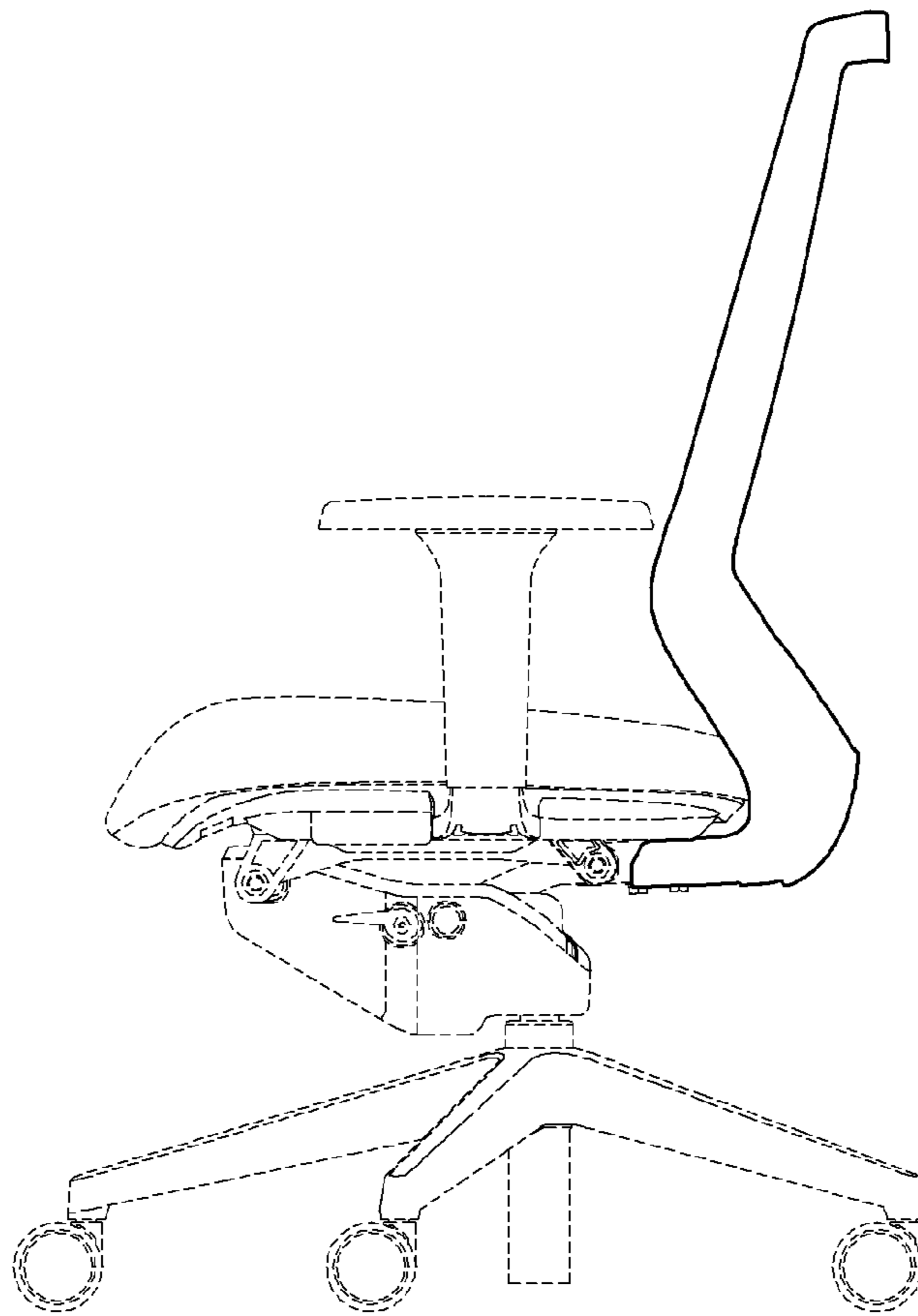
FIG. 3



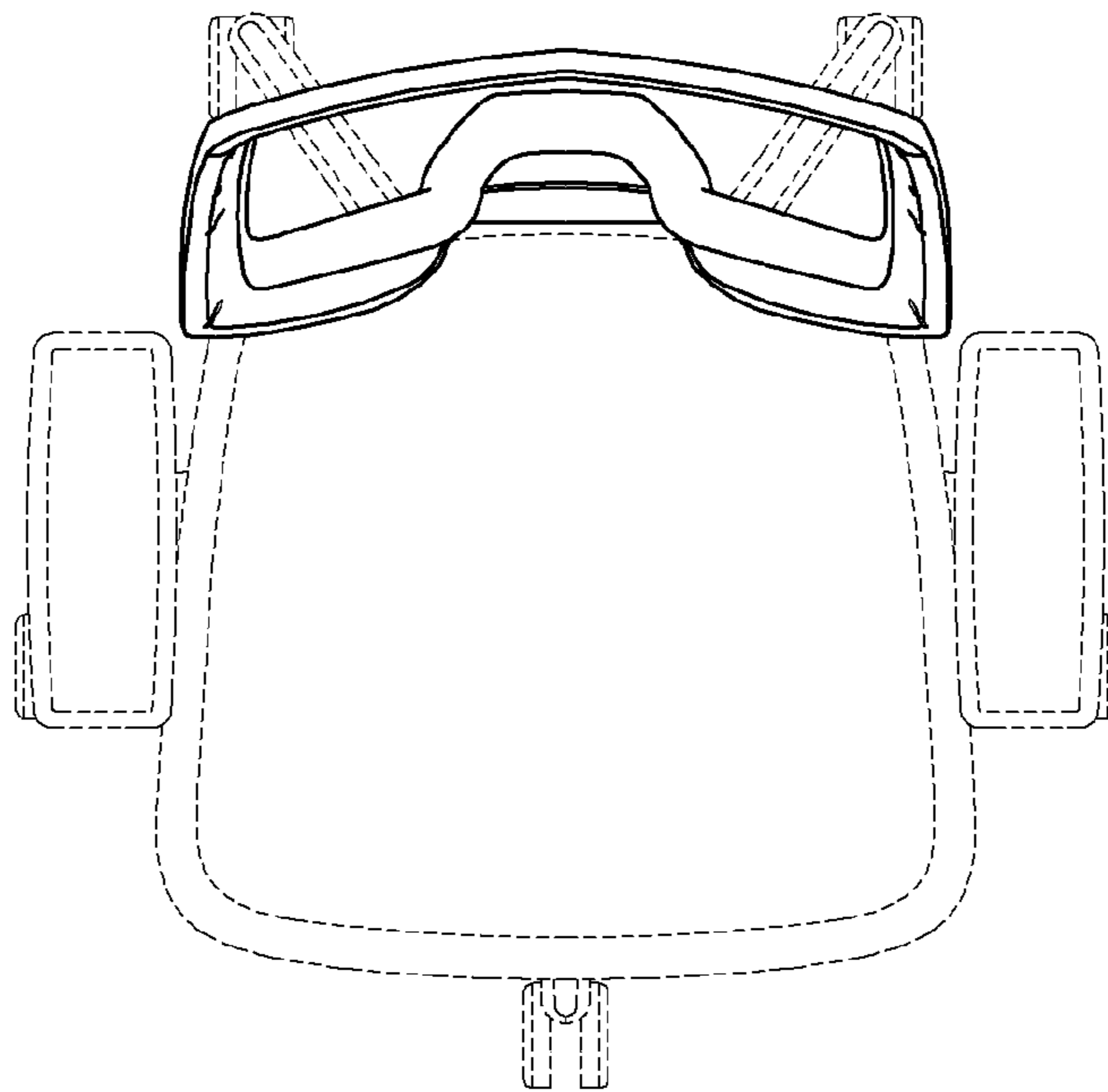
**FIG. 4**



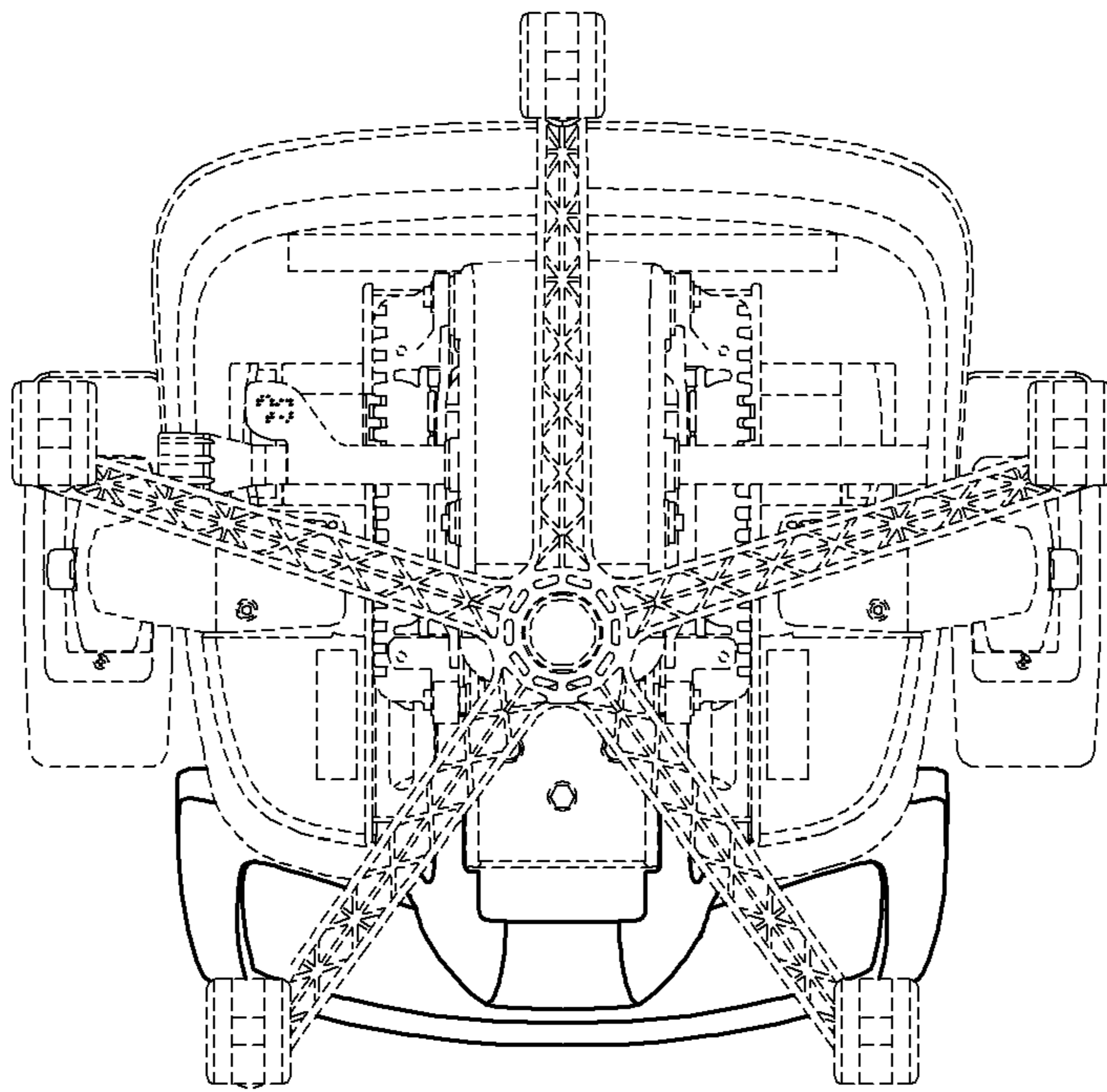
**FIG. 5**



**FIG. 6**



**FIG. 7**





**FIG. 8**

