

US00D698590S

(12) **United States Design Patent**
Nakamura

(10) **Patent No.:** **US D698,590 S**
(45) **Date of Patent:** **** Feb. 4, 2014**

(54) **CHAIR**
(71) Applicant: **Itoki Corporation**, Osaka (JP)
(72) Inventor: **Yasuhiro Nakamura**, Tokyo (JP)
(73) Assignee: **Itoki Corporation**, Osaka-shi, Osaka (JP)
(**) Term: **14 Years**
(21) Appl. No.: **29/453,496**

D405,618 S *	2/1999	Reutepohler et al.	D6/366
D411,395 S *	6/1999	Edwards	D6/500
D418,316 S *	1/2000	Vogtherr	D6/366
D429,422 S *	8/2000	De Lucchi et al.	D6/366
D447,368 S *	9/2001	Lee	D6/501
D502,829 S *	3/2005	Grove	D6/501
D530,935 S *	10/2006	Huang	D6/366
D534,383 S *	1/2007	Chu	D6/501
D542,549 S *	5/2007	Hara	D6/366
D543,040 S *	5/2007	Hara	D6/366
D550,001 S *	9/2007	Mazzera	D6/501
D558,998 S *	1/2008	Hara	D6/366
D570,126 S *	6/2008	Zhang	D6/366

(Continued)

(22) Filed: **Apr. 30, 2013**

(30) **Foreign Application Priority Data**

Nov. 1, 2012 (JP) 2012-026667

(51) **LOC (10) Cl.** **06-01**

(52) **U.S. Cl.**
USPC **D6/716; D6/366**

(58) **Field of Classification Search**
USPC D6/334-336, 344-353, 360-381, 388,
D6/403, 491-502, 692, 708, 716,
D6/716.2-716.4; 297/16.1, 22, 31, 35,
297/217.1, 228.12, 248, 256.16, 271.6,
297/284.4-284.5, 291, 297, 302.4, 411.2,
297/411.27-411.29, 411.43, 423.1, 423.12,
297/440.11, 440.15, 440.21-440.24, 448.1,
297/451.4, 452.13, 452.19, 452.21, 452.27,
297/452.29, 452.3, 452.41, 452.56, 452.64
See application file for complete search history.

(56) **References Cited**

U.S. PATENT DOCUMENTS

D355,303 S *	2/1995	Scheper et al.	D6/366
D369,918 S *	5/1996	Beaulieu	D6/366
D403,520 S *	1/1999	Wilson	D6/366

FOREIGN PATENT DOCUMENTS

JP 1275289 6/2006

Primary Examiner — Ricky Pham

(74) *Attorney, Agent, or Firm* — Drinker Biddle & Reath LLP

(57) **CLAIM**

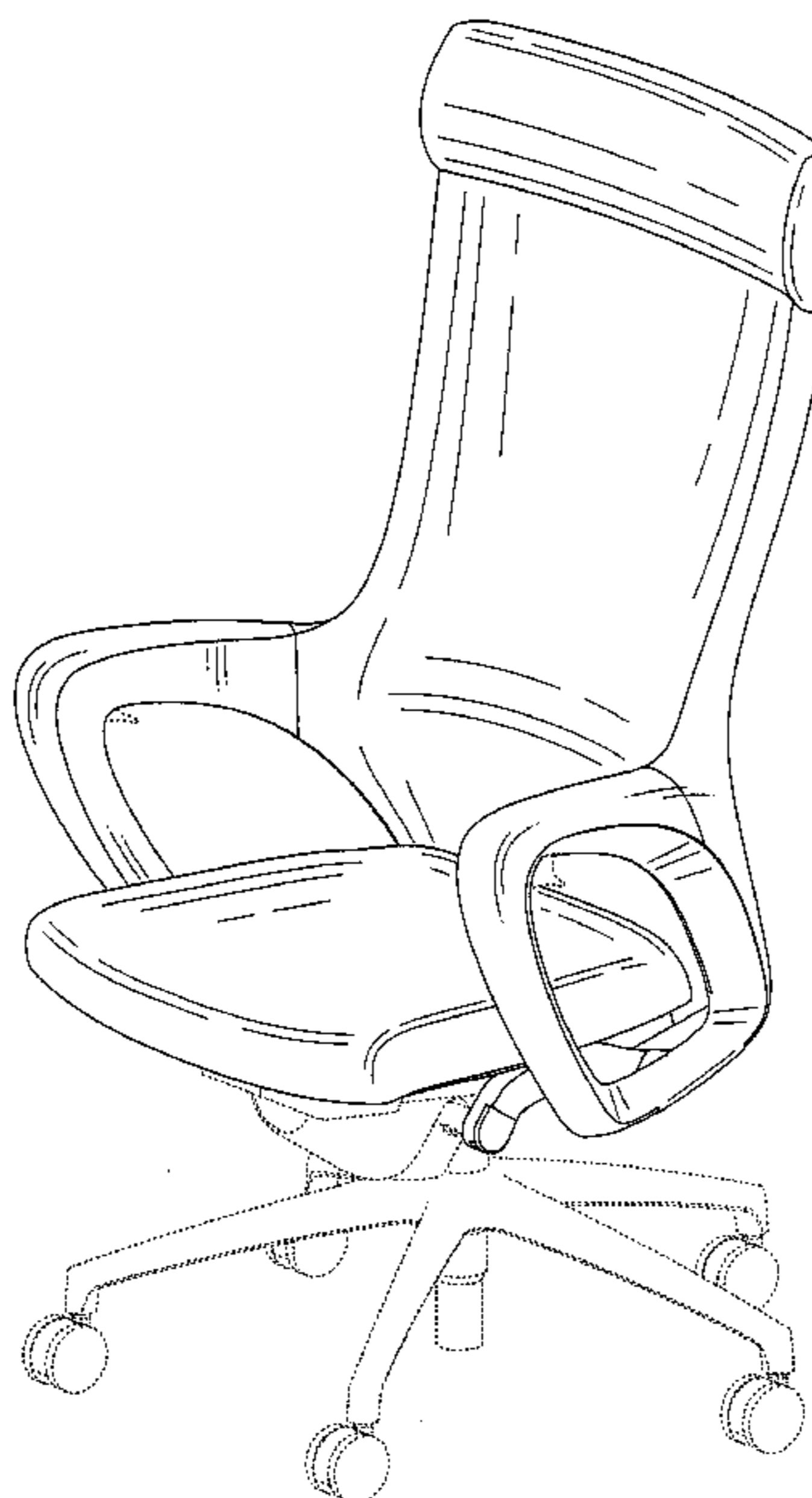
The ornamental design for the chair, as shown and described.

DESCRIPTION

FIG. 1 is a front perspective view of front and right side of a chair showing my new design;
FIG. 2 is a front view thereof;
FIG. 3 is a rear view thereof;
FIG. 4 is a left side view thereof;
FIG. 5 is a right side view thereof;
FIG. 6 is a top plan view thereof; and,
FIG. 7 is a bottom view thereof.

The portions of the article in broken lines are shown for illustrative purposes only and form no part of the claimed design.

1 Claim, 7 Drawing Sheets



US D698,590 S

Page 2

(56)

References Cited

U.S. PATENT DOCUMENTS

D572,924 S * 7/2008 Huang D6/366
D583,161 S * 12/2008 Huang D6/366
D600,461 S * 9/2009 Sexton D6/366
D623,879 S * 9/2010 Kubryk D6/500

D647,717 S * 11/2011 Zund et al. D6/366
D655,112 S * 3/2012 Kubryk D6/500
D655,523 S * 3/2012 Neil D6/366
D659,417 S * 5/2012 Schmitz et al. D6/366
D666,436 S * 9/2012 Egger D6/501
D667,232 S * 9/2012 Yang D6/366

* cited by examiner

Fig. 1

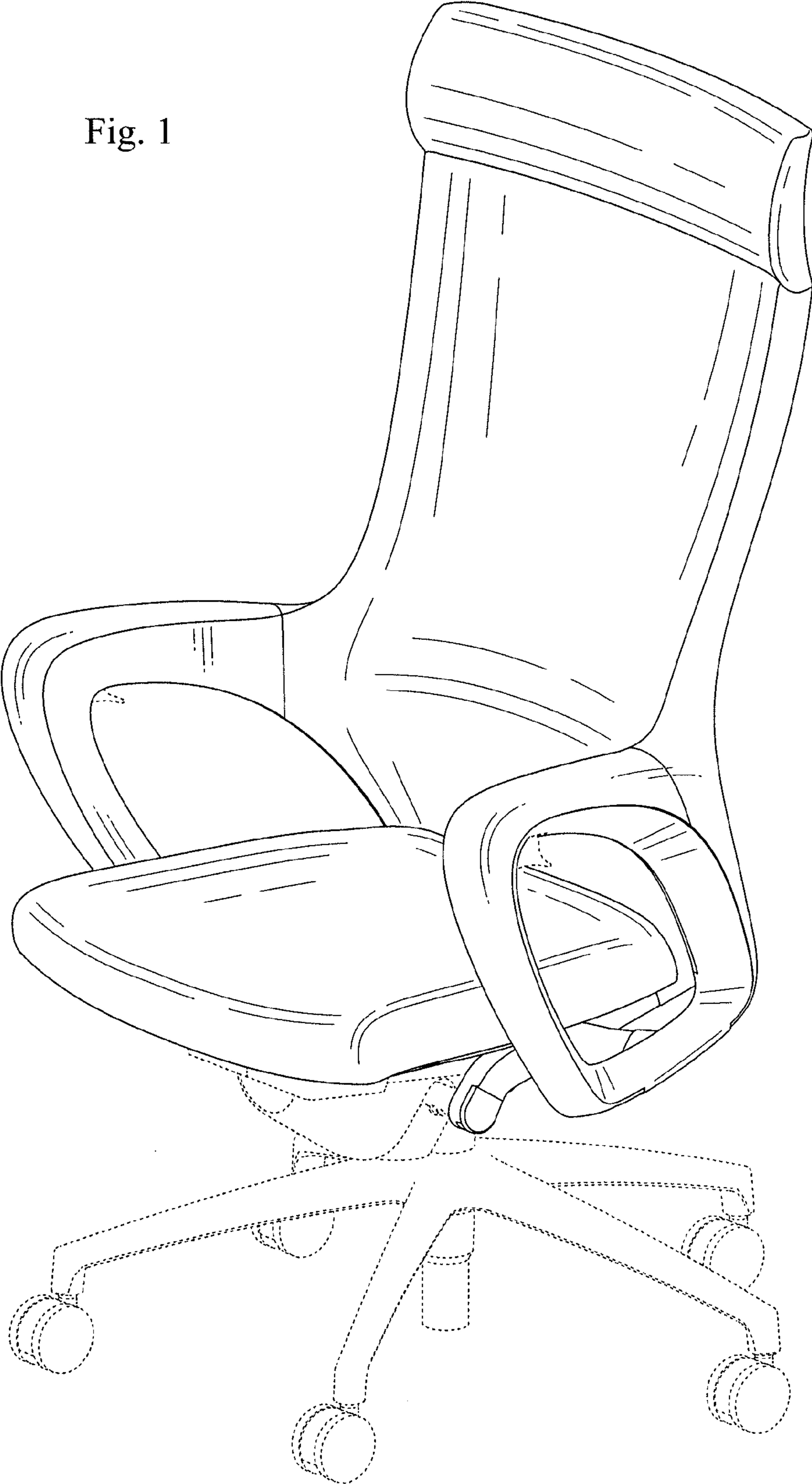


Fig. 2

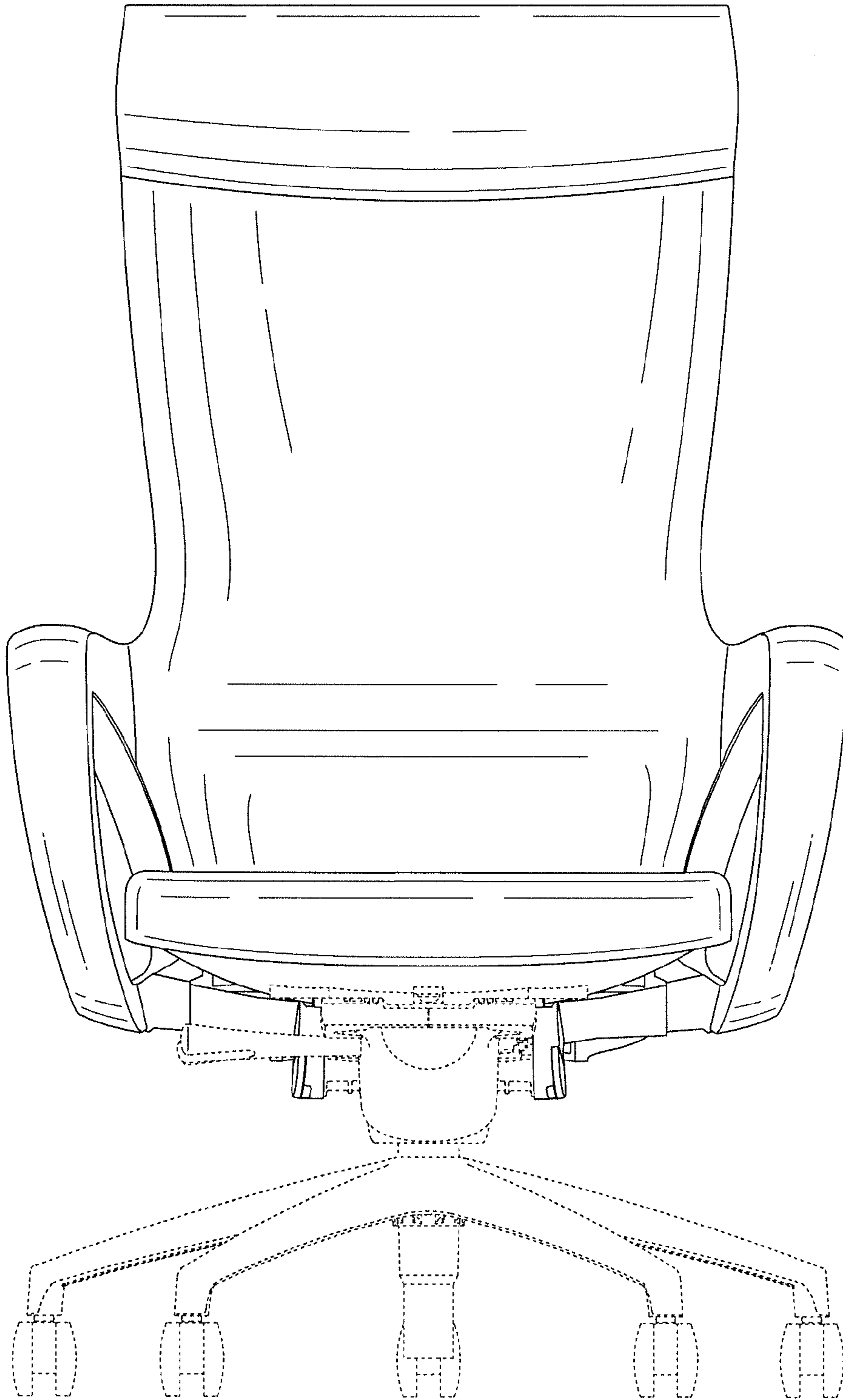


Fig. 3

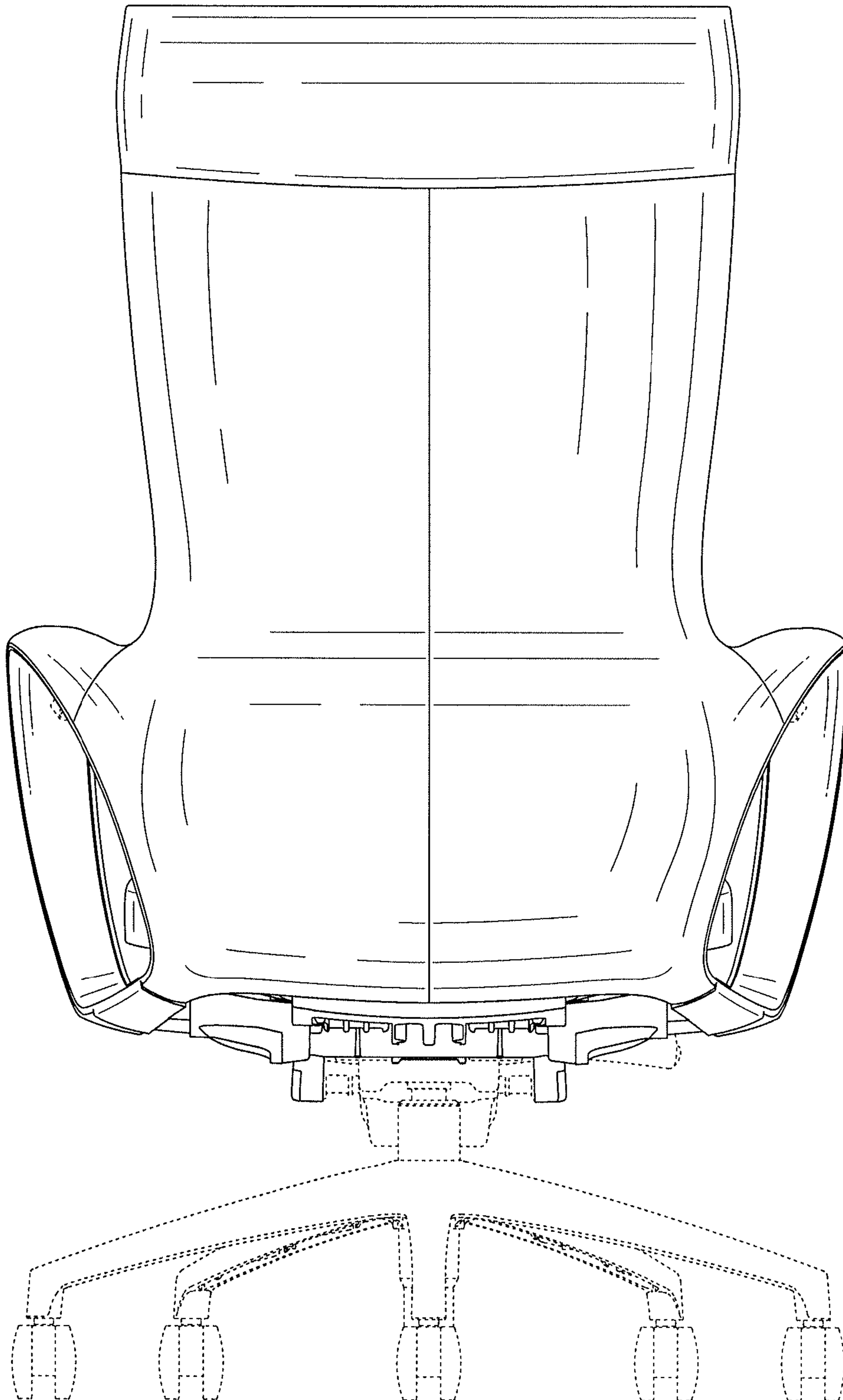


Fig. 4

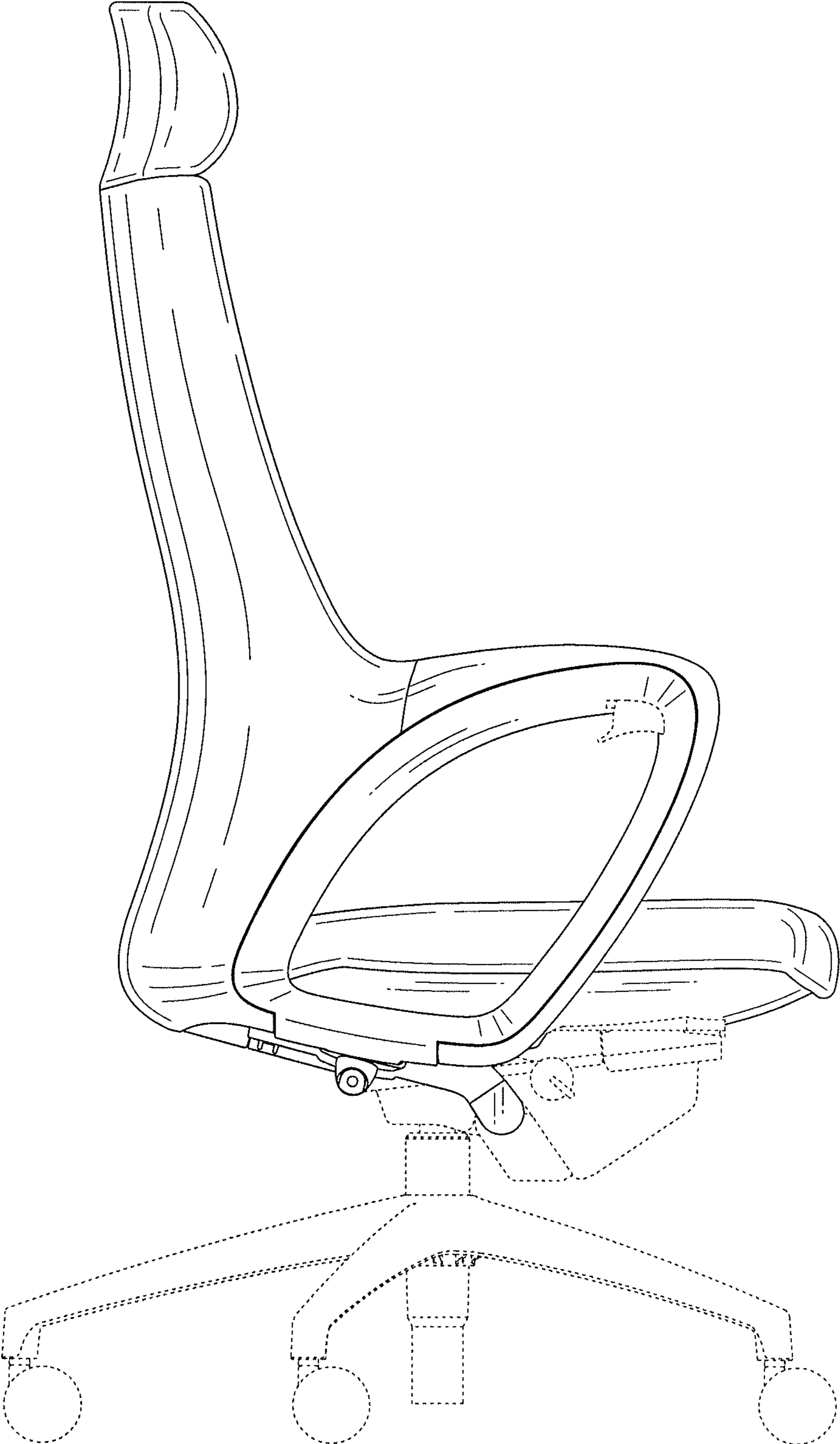


Fig. 5

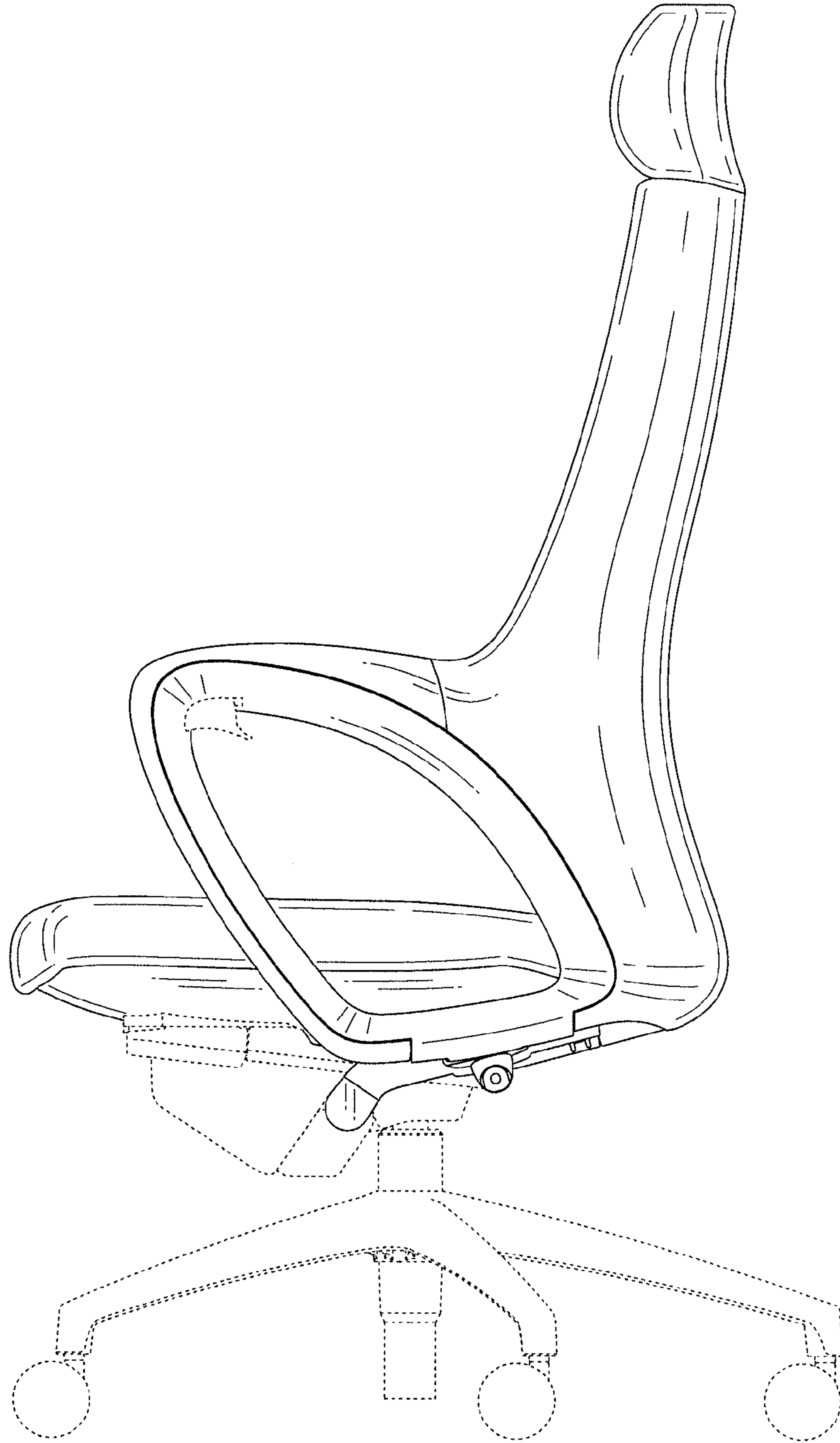


Fig. 6

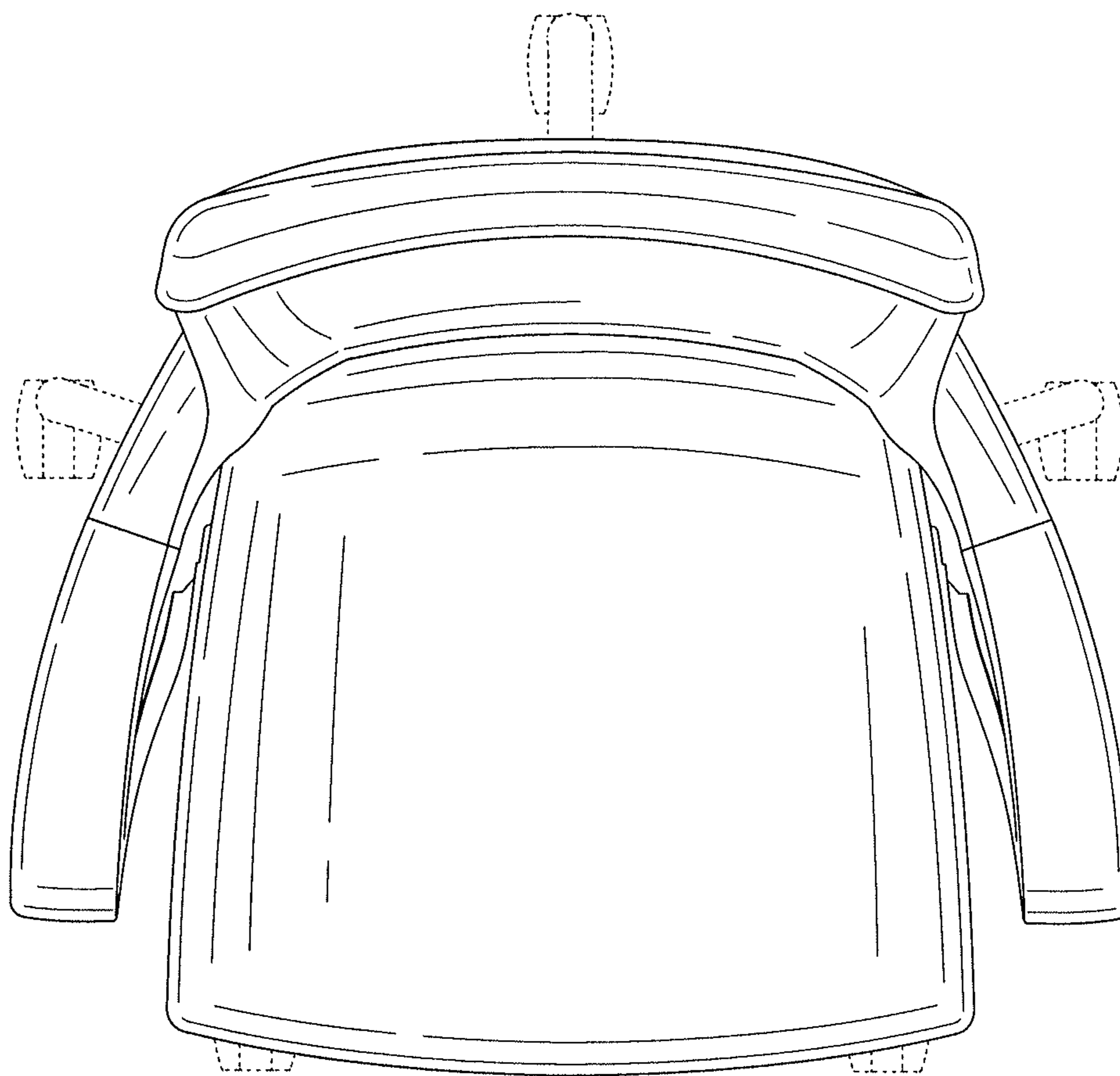


Fig. 7

