



US00D698585S

(12) **United States Design Patent**
McClutchen

(10) **Patent No.:** **US D698,585 S**

(45) **Date of Patent:** **** Feb. 4, 2014**

(54) **ZIPPERED BED SKIRT**

(71) Applicant: **Gloria J. McClutchen**, Brockton, MA
(US)

(72) Inventor: **Gloria J. McClutchen**, Brockton, MA
(US)

(**) Term: **14 Years**

(21) Appl. No.: **29/435,565**

(22) Filed: **Oct. 25, 2012**

(51) **LOC (10) Cl.** **06-09**

(52) **U.S. Cl.**
USPC **D6/596; D6/602**

(58) **Field of Classification Search**
USPC D6/595, 596, 601, 602, 603, 608;
5/482, 485, 486, 493, 495, 497, 499
See application file for complete search history.

(56) **References Cited**

U.S. PATENT DOCUMENTS

3,144,666	A *	8/1964	Ragsdale Mazera et al.	5/493
4,587,683	A	5/1986	Gardiner	
D314,304	S	2/1991	Levine	
D385,144	S *	10/1997	Kozole et al.	D6/602
5,715,553	A	2/1998	Baron et al.	

5,733,397	A	3/1998	McDaniel	
6,035,469	A	3/2000	Schrougham	
6,119,290	A	9/2000	Masoncup	
6,792,632	B2	9/2004	Cohen	
6,925,667	B2	8/2005	Cohen	
6,971,129	B2 *	12/2005	Wootten et al.	5/493
D613,986	S *	4/2010	Quick	D6/596
D634,146	S *	3/2011	Kennett	D6/595
2004/0221389	A1	11/2004	McClelland et al.	
2005/0086740	A1 *	4/2005	Babjak	5/493
2007/0022533	A1	2/2007	Borino	

* cited by examiner

Primary Examiner — Janice Seeger

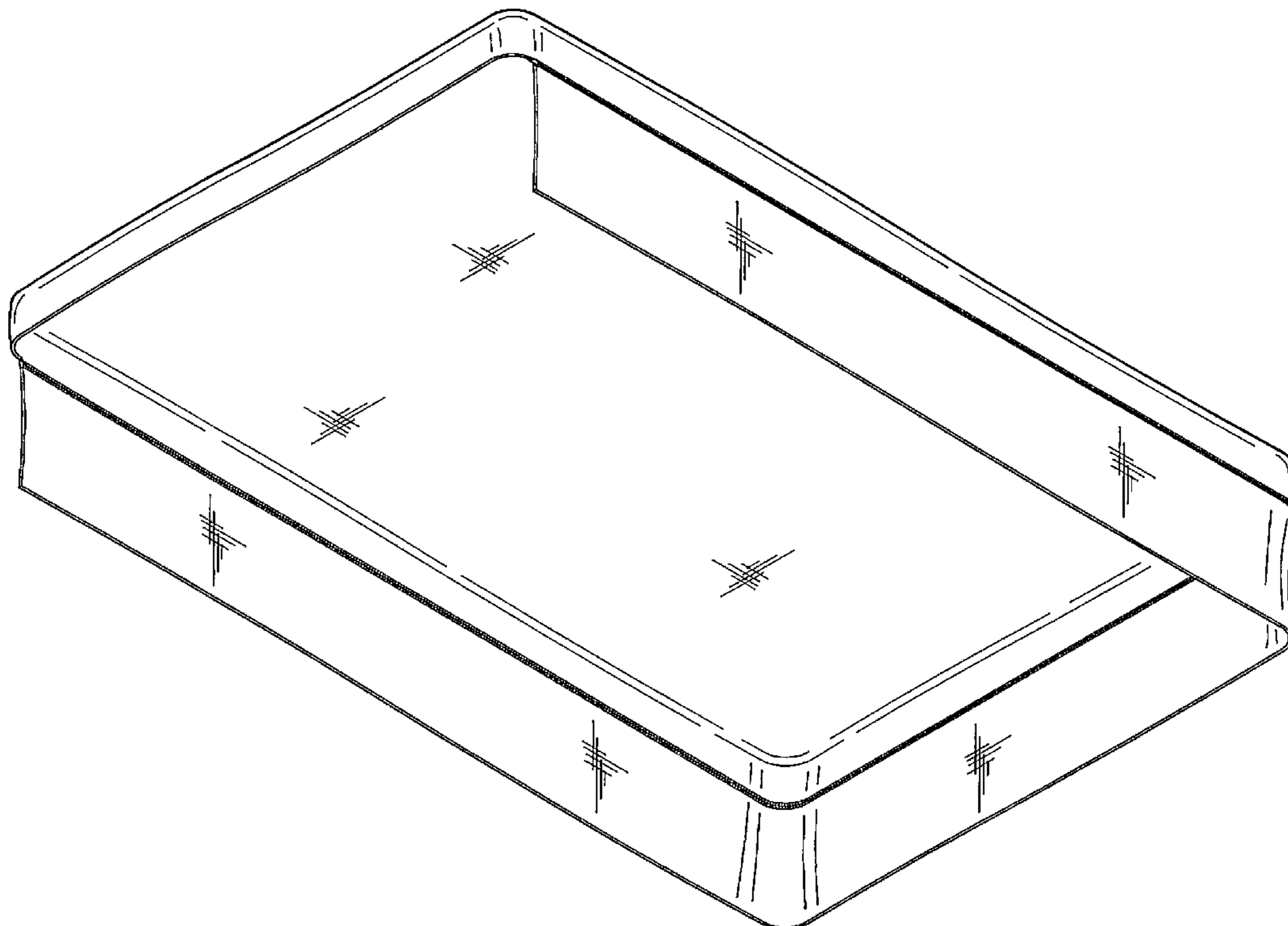
(57) **CLAIM**

The ornamental design for a zippered bed skirt, as shown and described.

DESCRIPTION

FIG. 1 is a left side elevation view of a zippered bed skirt showing my new design;
FIG. 2 is a right side elevation view of the zippered bed skirt;
FIG. 3 is a front elevation view of the zippered bed skirt;
FIG. 4 is a rear elevation view of the zippered bed skirt;
FIG. 5 is a top plan view of the zippered bed skirt;
FIG. 6 is a bottom plan view of the zippered bed skirt; and,
FIG. 7 is a bottom perspective view of the zippered bed skirt.

1 Claim, 5 Drawing Sheets



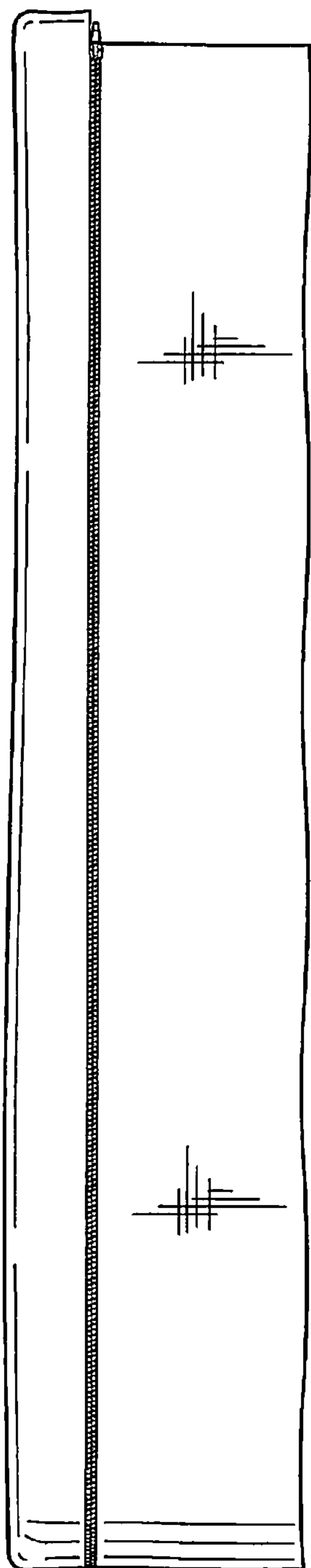


FIG. 1

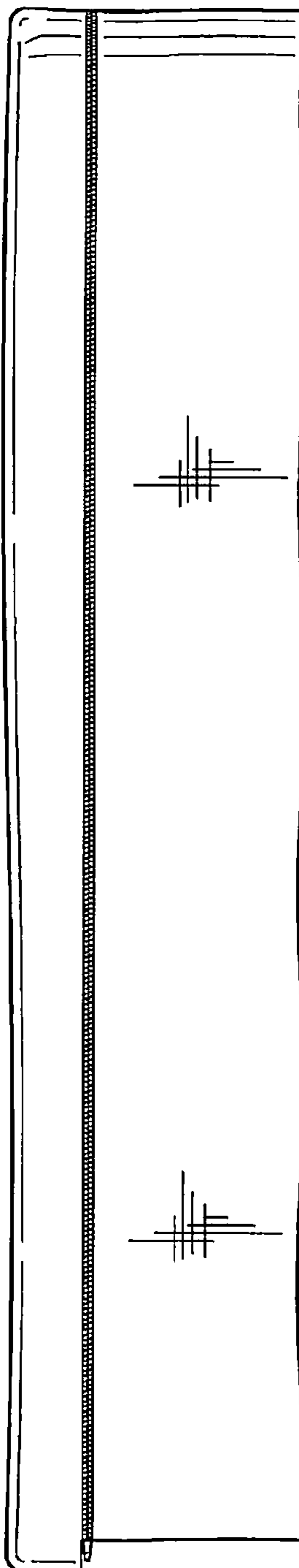


FIG. 2

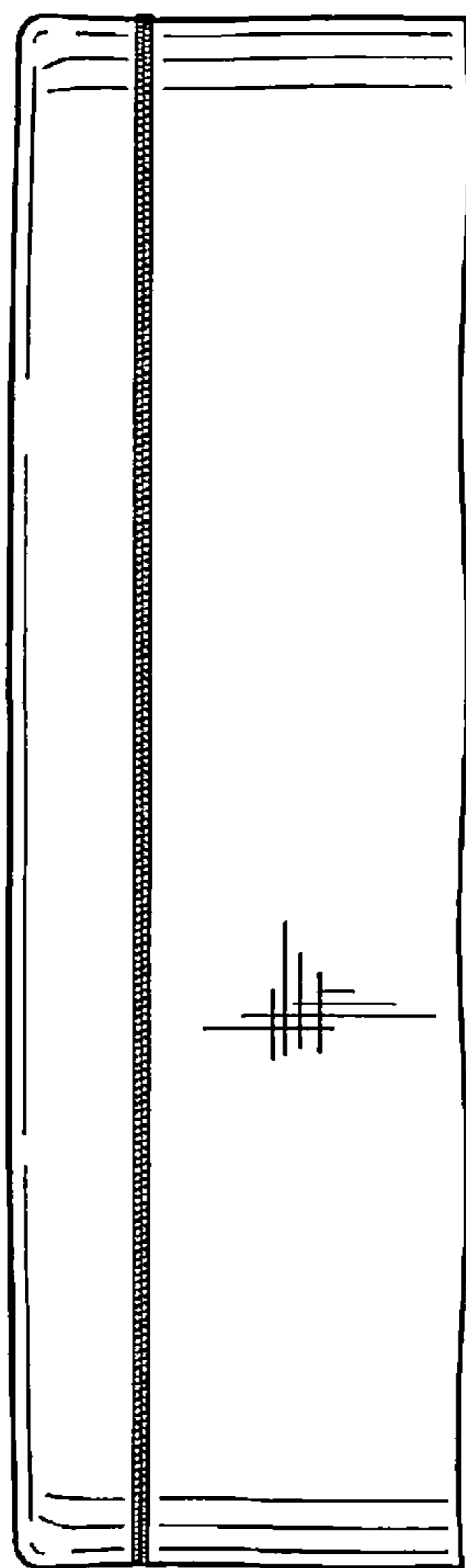


FIG. 3

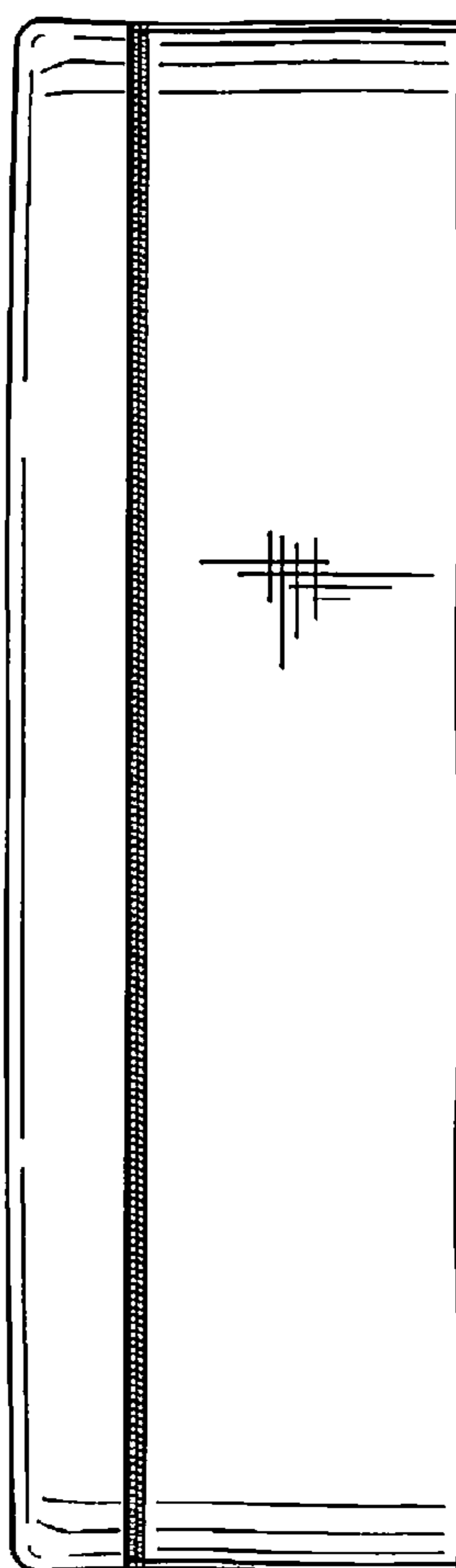


FIG. 4

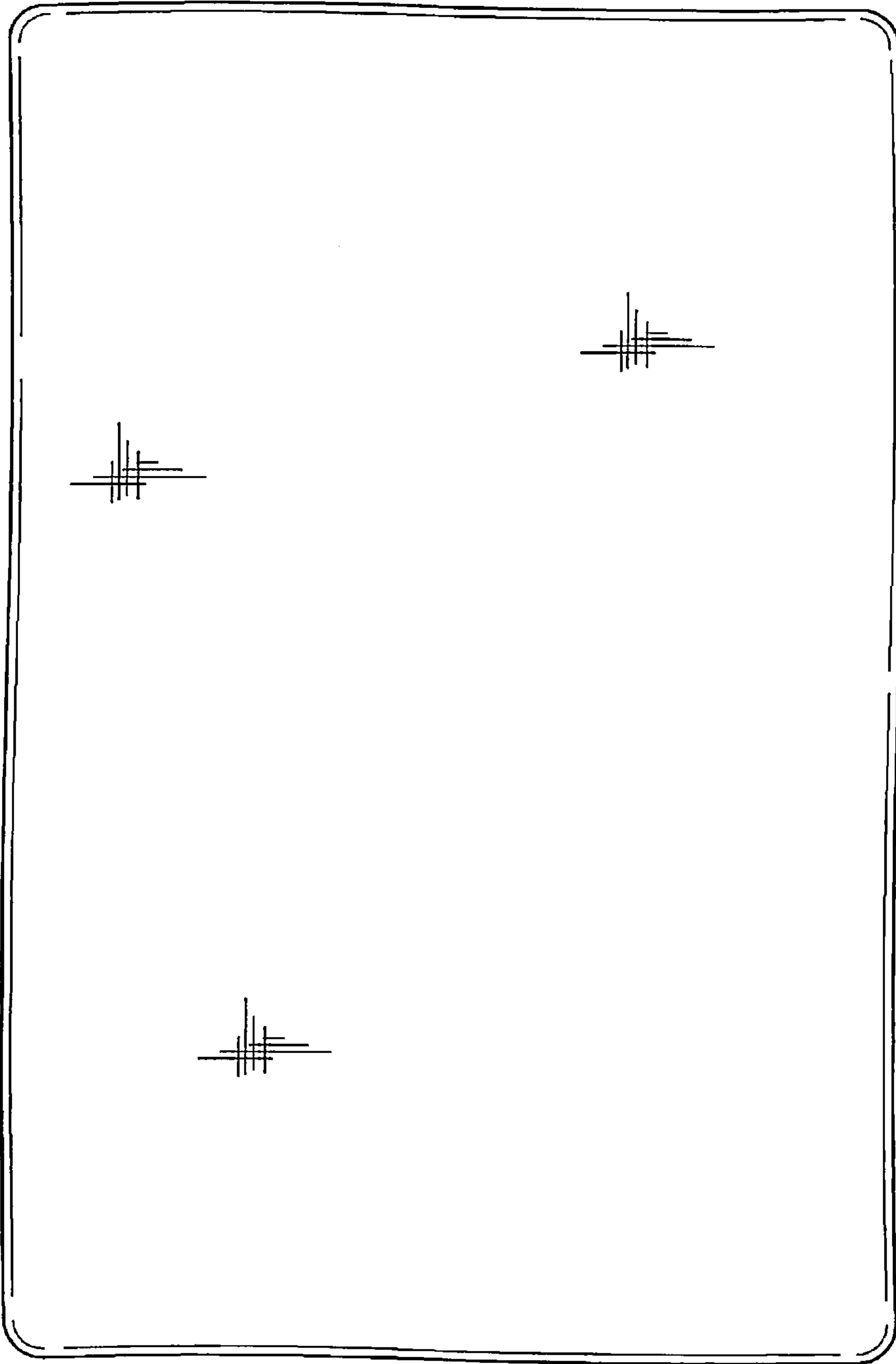


FIG. 5

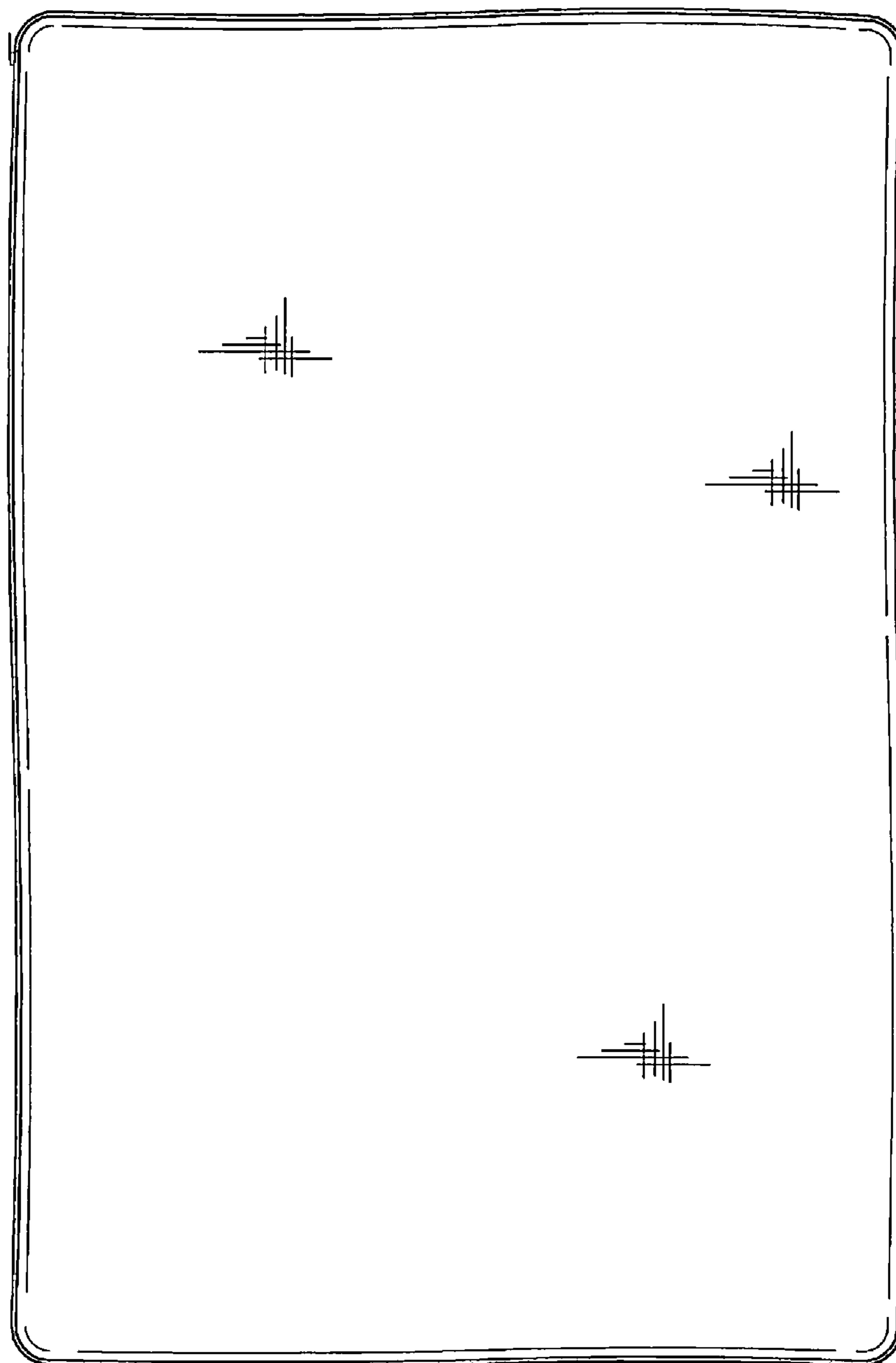


FIG. 6

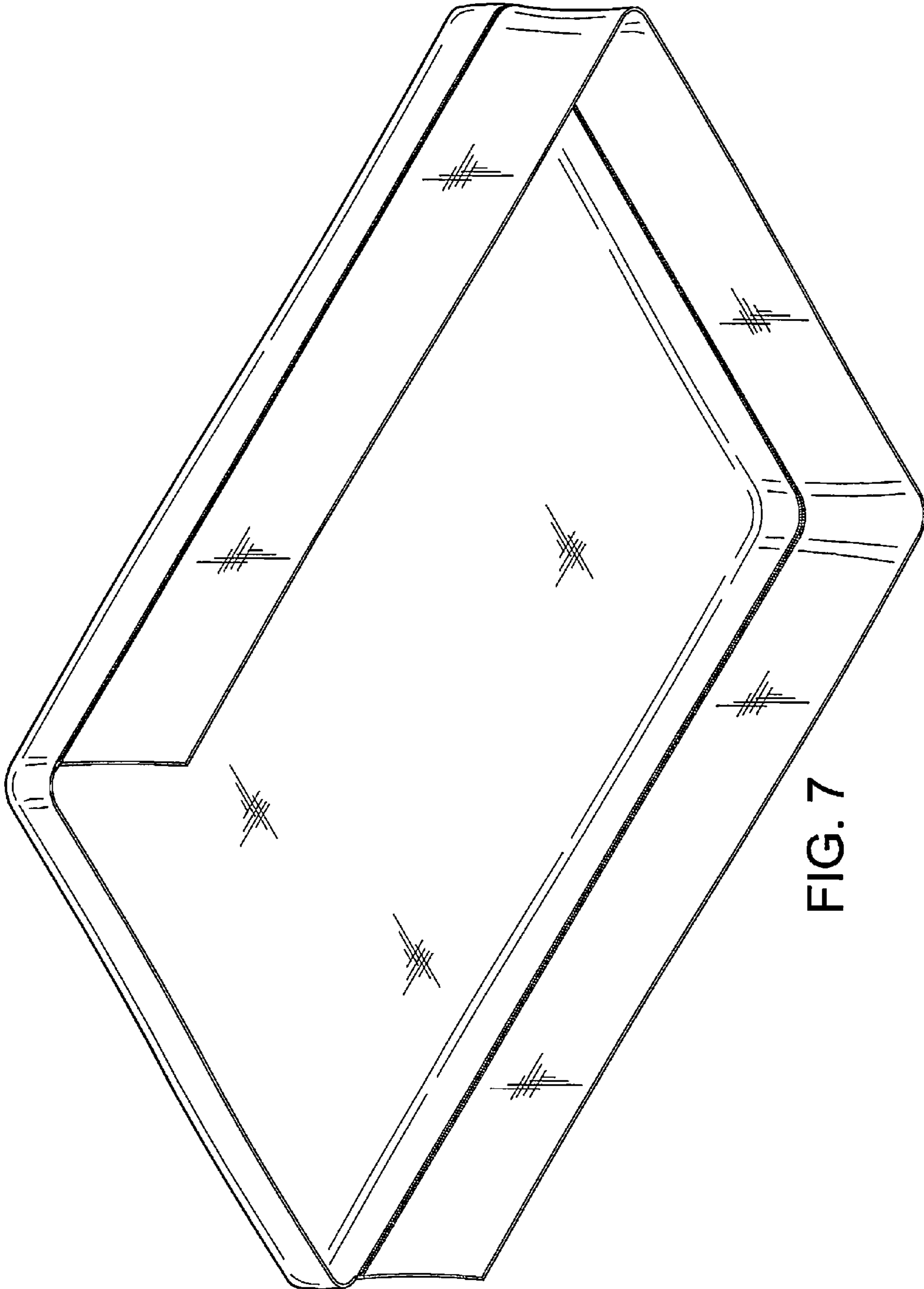


FIG. 7