



US00D698582S

(12) **United States Design Patent**
Langer

(10) **Patent No.:** **US D698,582 S**

(45) **Date of Patent:** **** Feb. 4, 2014**

(54) **FISHING ROD HOLDER**

2005/0102881 A1 5/2005 Legendziewicz

* cited by examiner

(71) Applicant: **Terry Langer**, Minatuare, NE (US)

Primary Examiner — Brian N Vinson

(72) Inventor: **Terry Langer**, Minatuare, NE (US)

(74) *Attorney, Agent, or Firm* — Shannon Warren

(**) Term: **14 Years**

(57) **CLAIM**

The ornamental design for a fishing rod holder, as shown and described.

(21) Appl. No.: **29/445,291**

(22) Filed: **Feb. 8, 2013**

DESCRIPTION

(51) **LOC (10) Cl.** **08-08**

FIG. 1 is a perspective view of a fishing rod holder showing my new design;

(52) **U.S. Cl.**

FIG. 2 is an additional perspective view thereof, with the broken line disclosure of fishing poles being for illustrative purposes only and forming no part of the claimed design;

USPC **D6/552**

FIG. 3 is an enlarged perspective view of one of the leg mechanisms thereof, with the remainder of the holder being omitted for clarity of illustration;

(58) **Field of Classification Search**

USPC D6/552, 553, 567, 396; D22/109;
211/13.1, 60.1, 64, 70.2, 70.6, 70.8;
248/512, 520, 538; 43/21.2

FIG. 4 is an enlarged perspective view of one of the foot assemblies thereof, with the remainder of the holder being omitted for clarity of illustration;

See application file for complete search history.

FIG. 5 is an enlarged elevational view of one of the foot assemblies thereof, with the remainder of the holder being omitted for clarity of illustration;

(56) **References Cited**

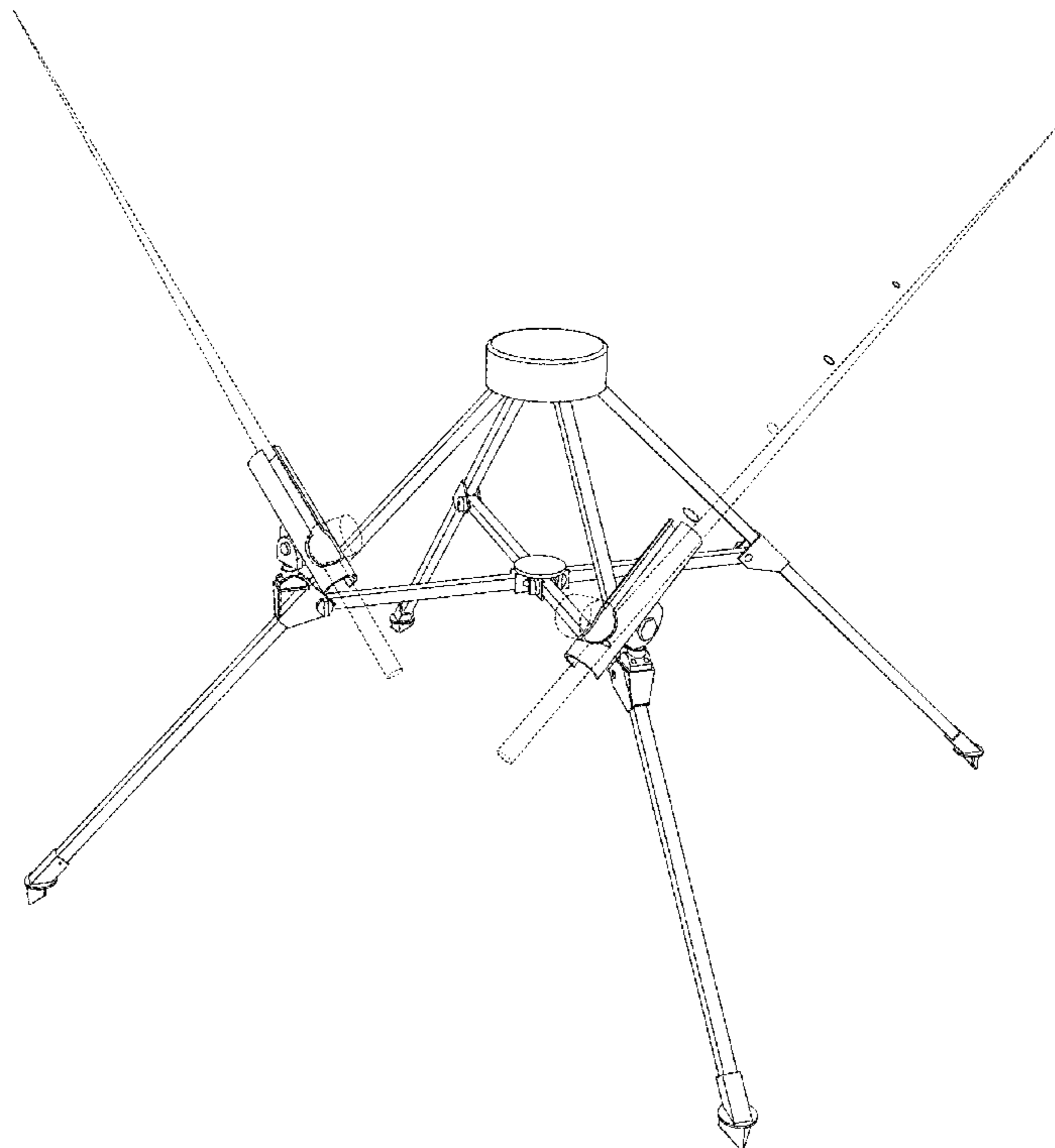
U.S. PATENT DOCUMENTS

D349,545 S *	8/1994	Cehovin et al.	D6/552
5,438,789 A	8/1995	Emory	
5,557,877 A	9/1996	Colson	
5,987,804 A	11/1999	Shearer et al.	
7,047,688 B2	5/2006	Sandman, Jr.	
D588,851 S *	3/2009	Morales	D6/552
D598,689 S *	8/2009	McDonald	D6/552
D634,956 S *	3/2011	St. John	D6/552

FIG. 6 is an additional enlarged elevational view of one of the foot assemblies thereof, with the remainder of the holder being omitted for clarity of illustration; and,

FIG. 7 is a perspective view thereof, shown in a collapsed configuration.

1 Claim, 5 Drawing Sheets



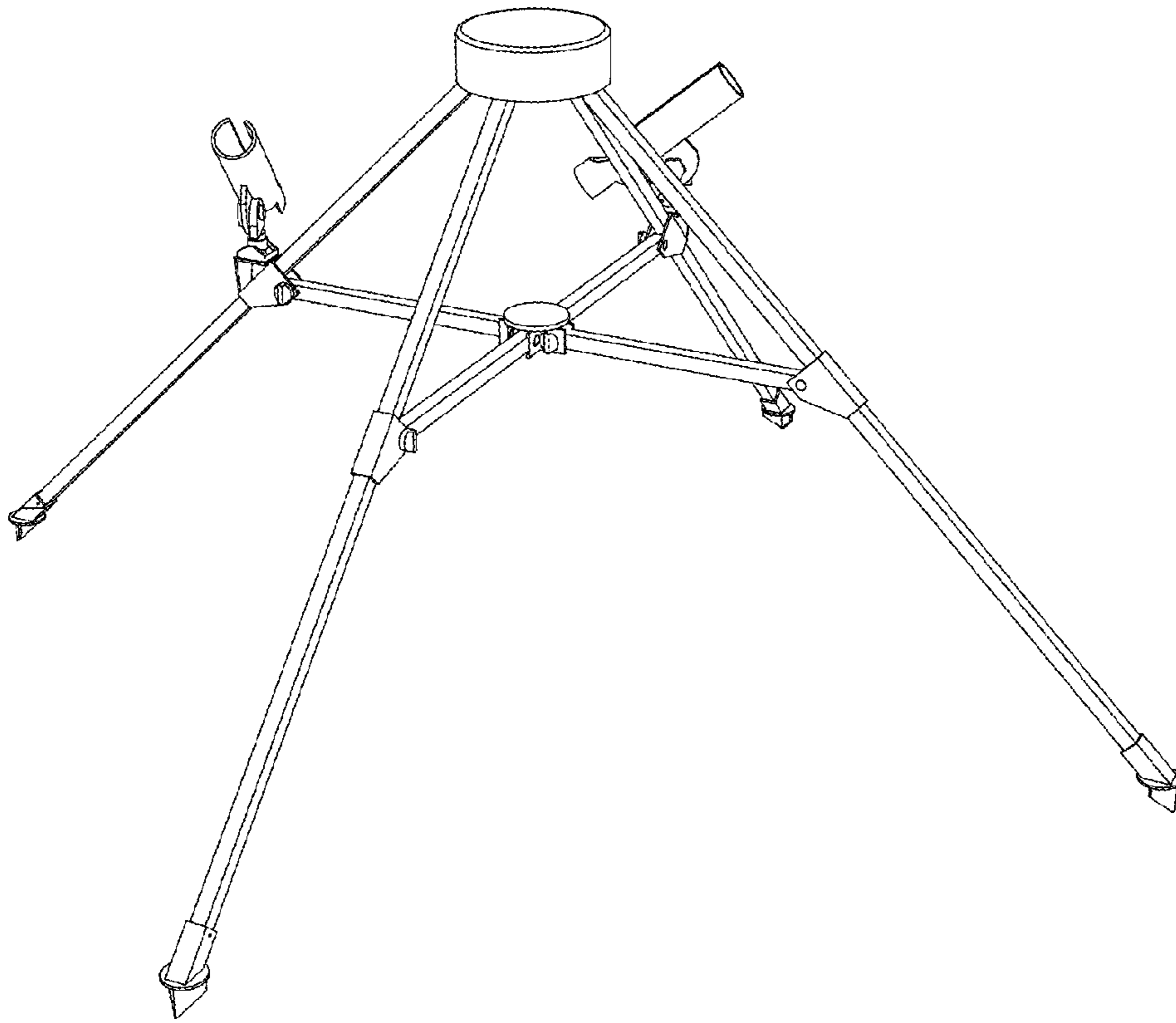


Fig. 1

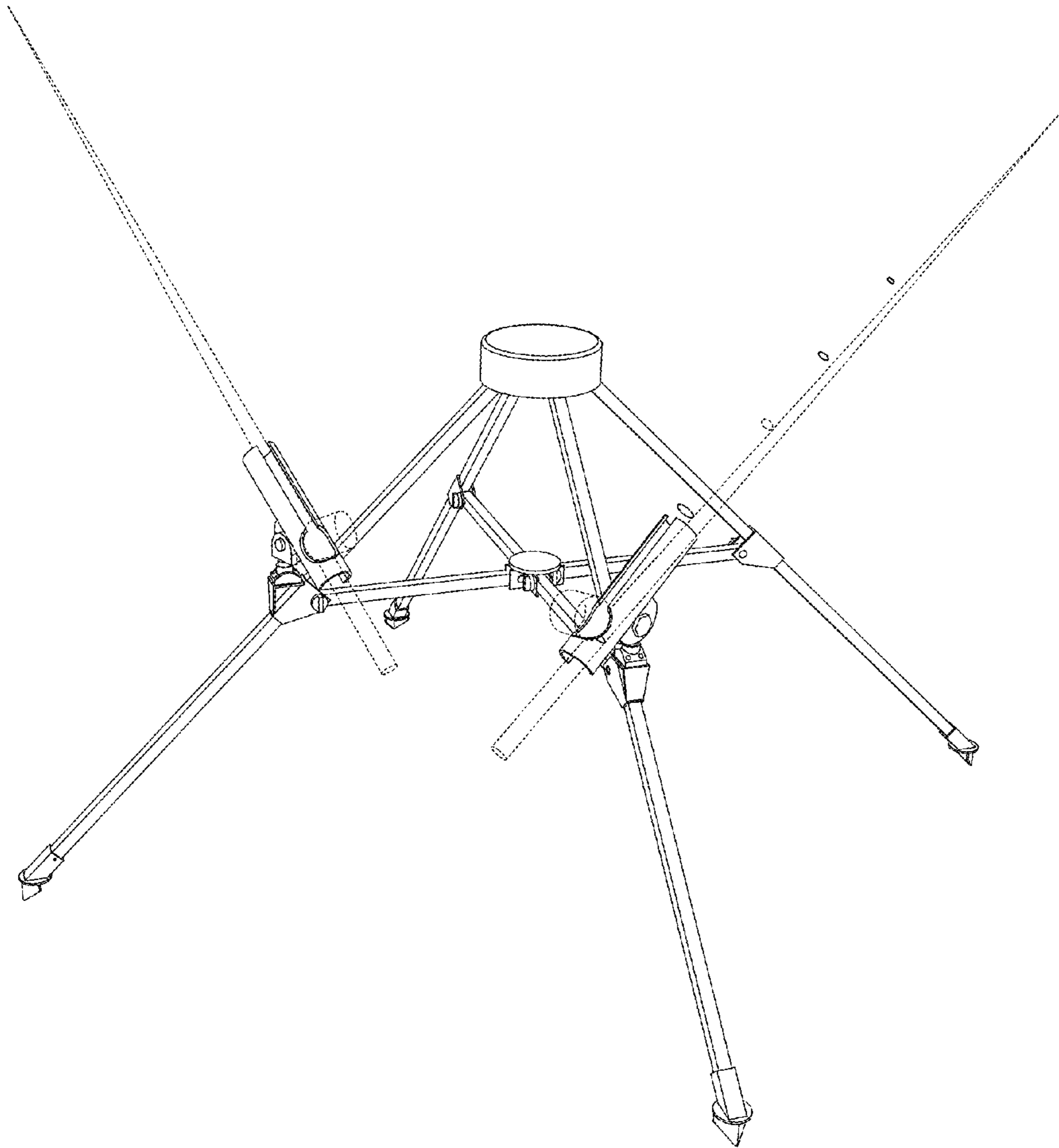


Fig. 2

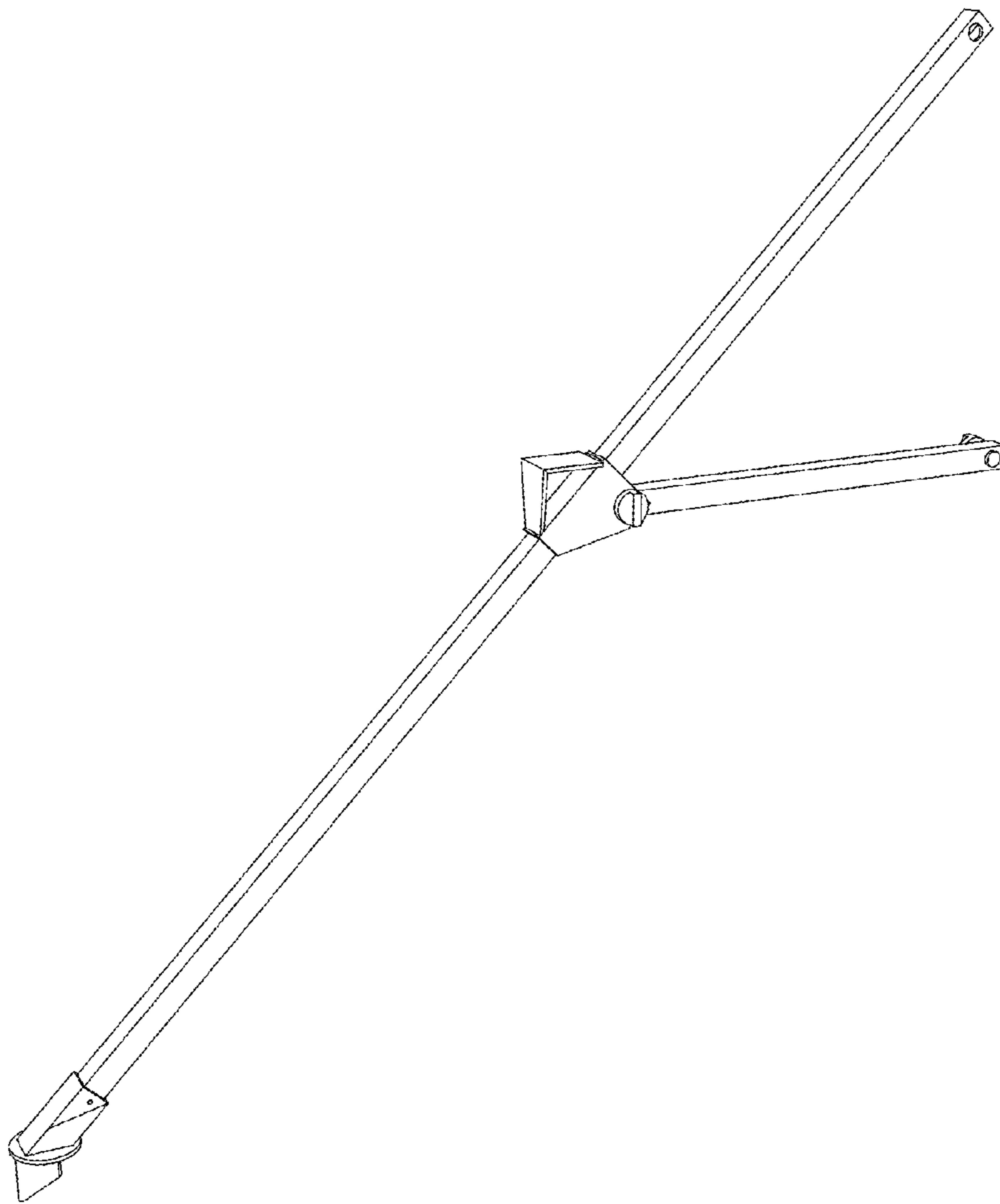


Fig. 3

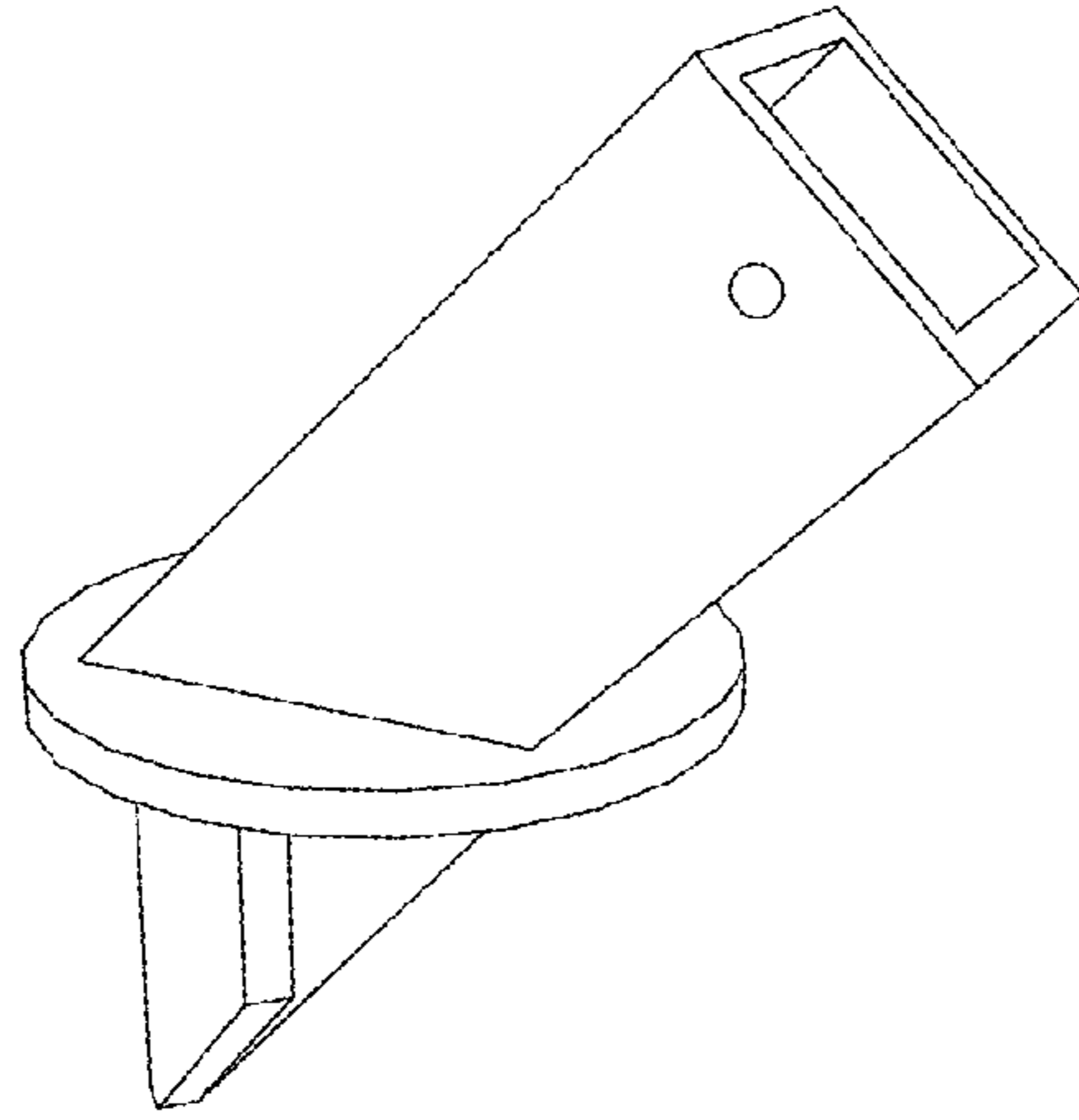


Fig. 4

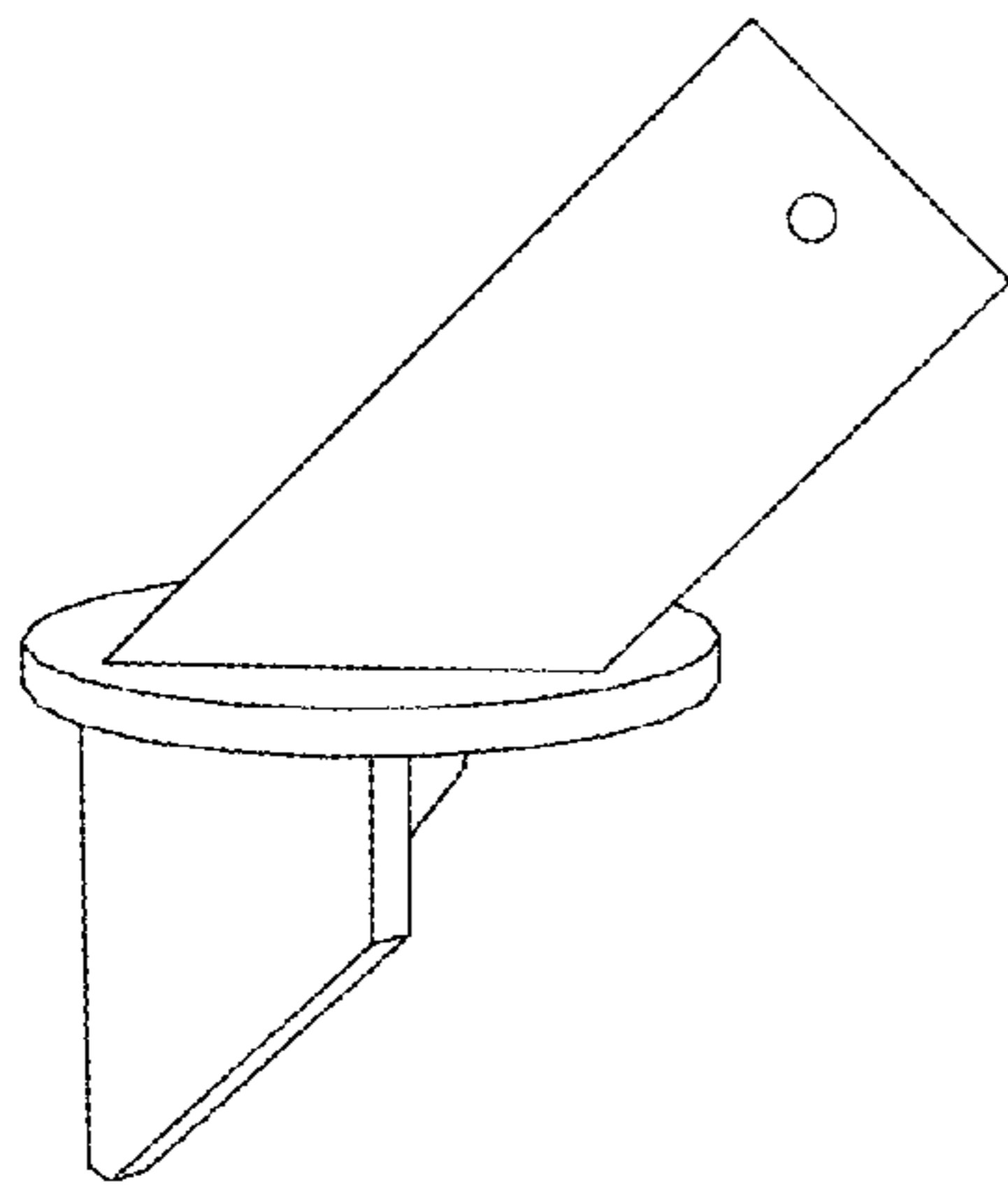


Fig. 5

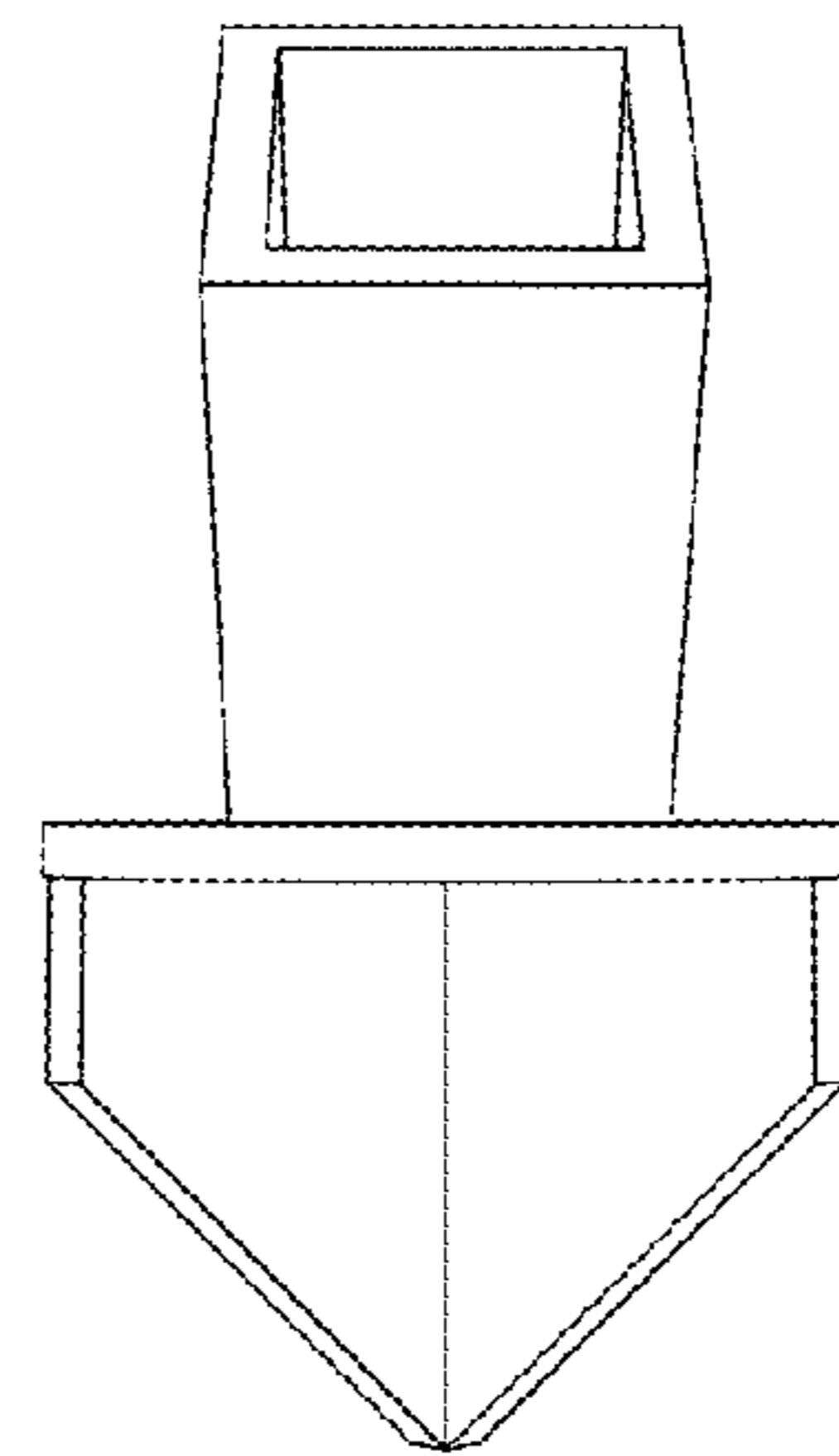


Fig. 6

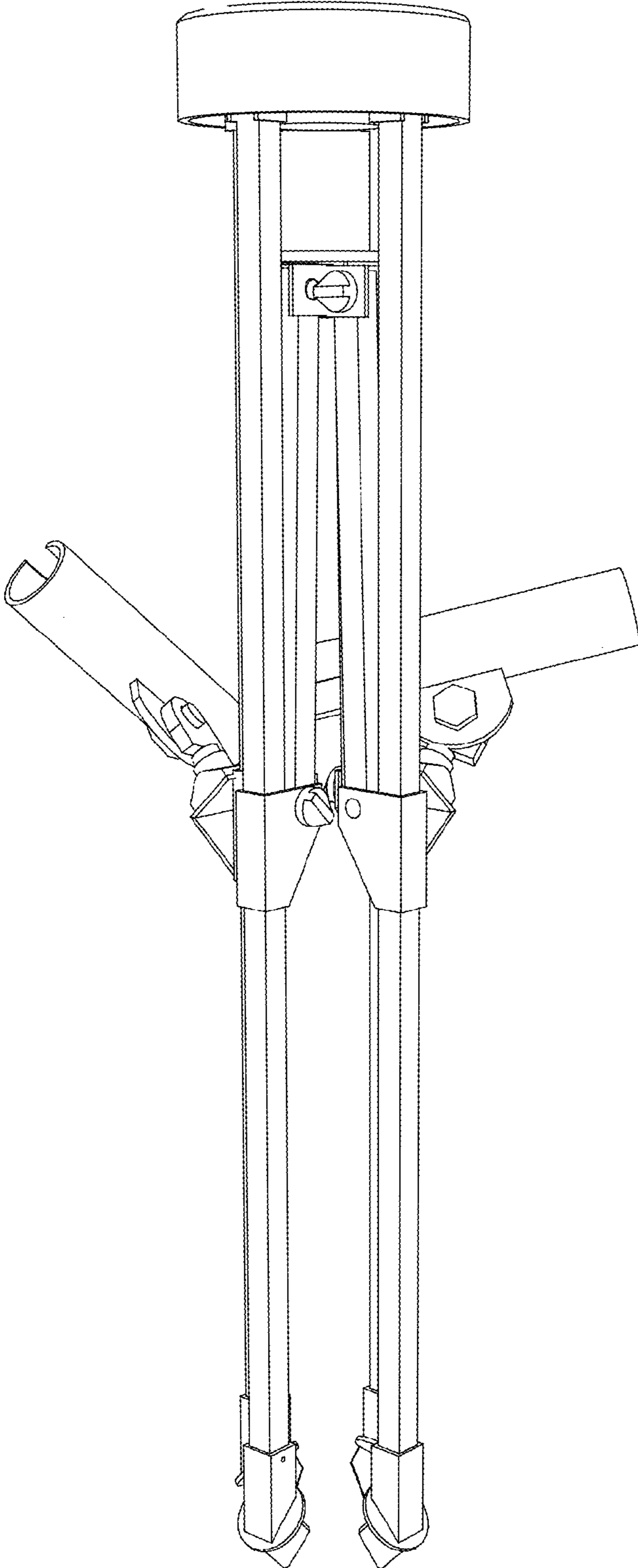


Fig. 7