

US00D698577S

(12) **United States Design Patent**  
**Tawil**

(10) **Patent No.:** **US D698,577 S**

(45) **Date of Patent:** **\*\* Feb. 4, 2014**

(54) **SHOWER CADDY**

(71) Applicant: **IDP, LLC**, New York, NY (US)

(72) Inventor: **Joseph Tawil**, Brooklyn, NY (US)

(73) Assignee: **IDP, LLC**, New York, NY (US)

(\*\*) Term: **14 Years**

(21) Appl. No.: **29/443,496**

(22) Filed: **Jan. 18, 2013**

(51) **LOC (10) Cl.** ..... **23-02**

(52) **U.S. Cl.**  
USPC ..... **D6/525**

(58) **Field of Classification Search**

USPC ..... D6/524, 525, 566, 536, 540; 211/13.1,  
211/74, 71.01, 86.01, 75, 88.01, 90.01,  
211/90.03, 106, 126.1, 119, 181.1, 133.5,  
211/134

See application file for complete search history.

(56) **References Cited**

**U.S. PATENT DOCUMENTS**

D552,393 S \* 10/2007 Rosen ..... D6/525  
D566,440 S \* 4/2008 Dretzka ..... D6/525

D615,333 S \* 5/2010 Snell ..... D6/525  
D640,488 S \* 6/2011 Didehvar et al. .... D6/525  
D641,190 S \* 7/2011 Cittadino ..... D6/525  
D643,236 S \* 8/2011 Cittadino ..... D6/525  
D643,657 S \* 8/2011 Cittadino ..... D6/525  
D644,050 S \* 8/2011 Cittadino ..... D6/525  
D677,089 S \* 3/2013 Tawil ..... D6/525

\* cited by examiner

*Primary Examiner* — Brian N Vinson

(74) *Attorney, Agent, or Firm* — Carter, DeLuca, Farrell & Schmidt, LLP

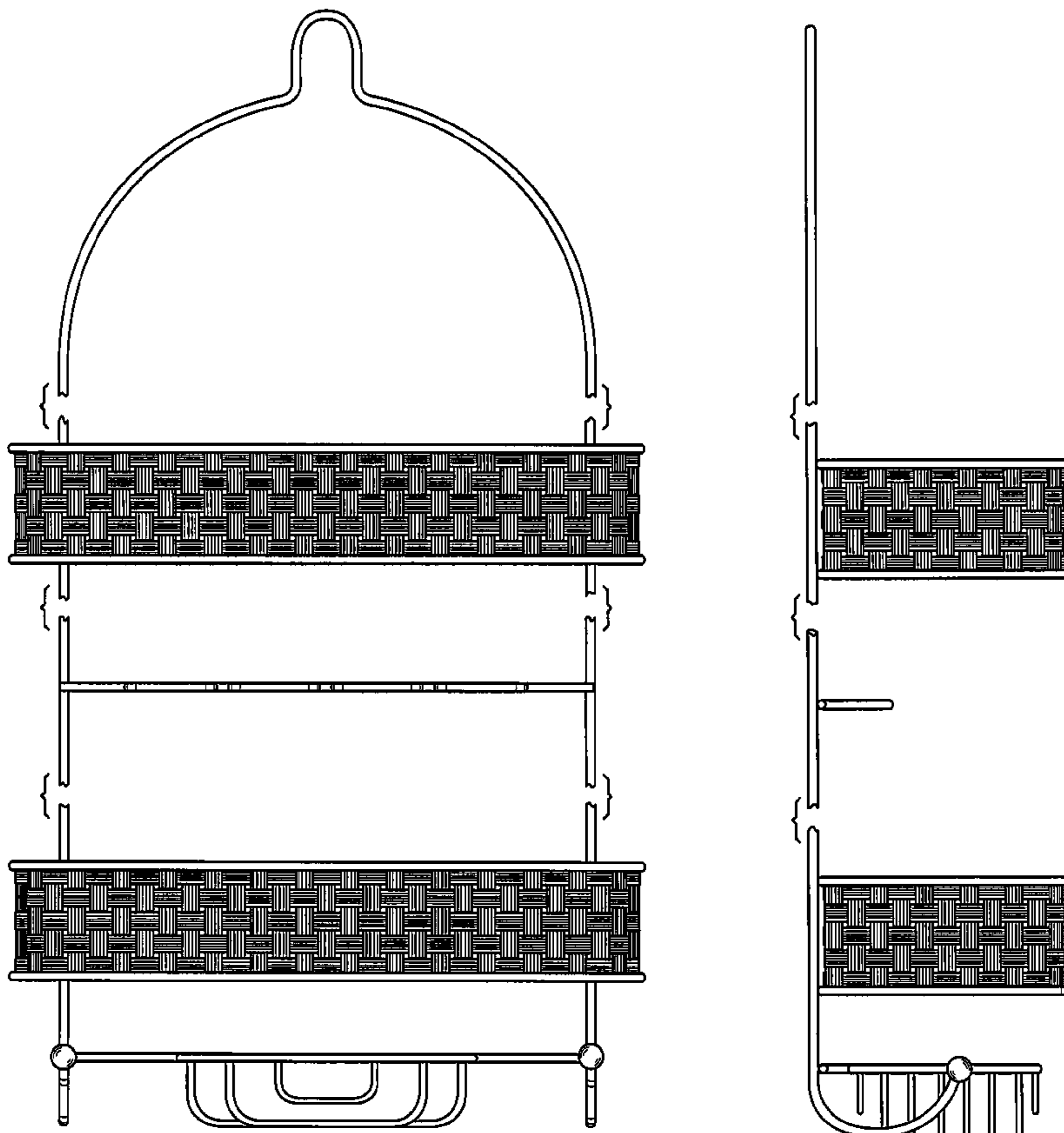
(57) **CLAIM**

The ornamental design for a shower caddy, as shown and described.

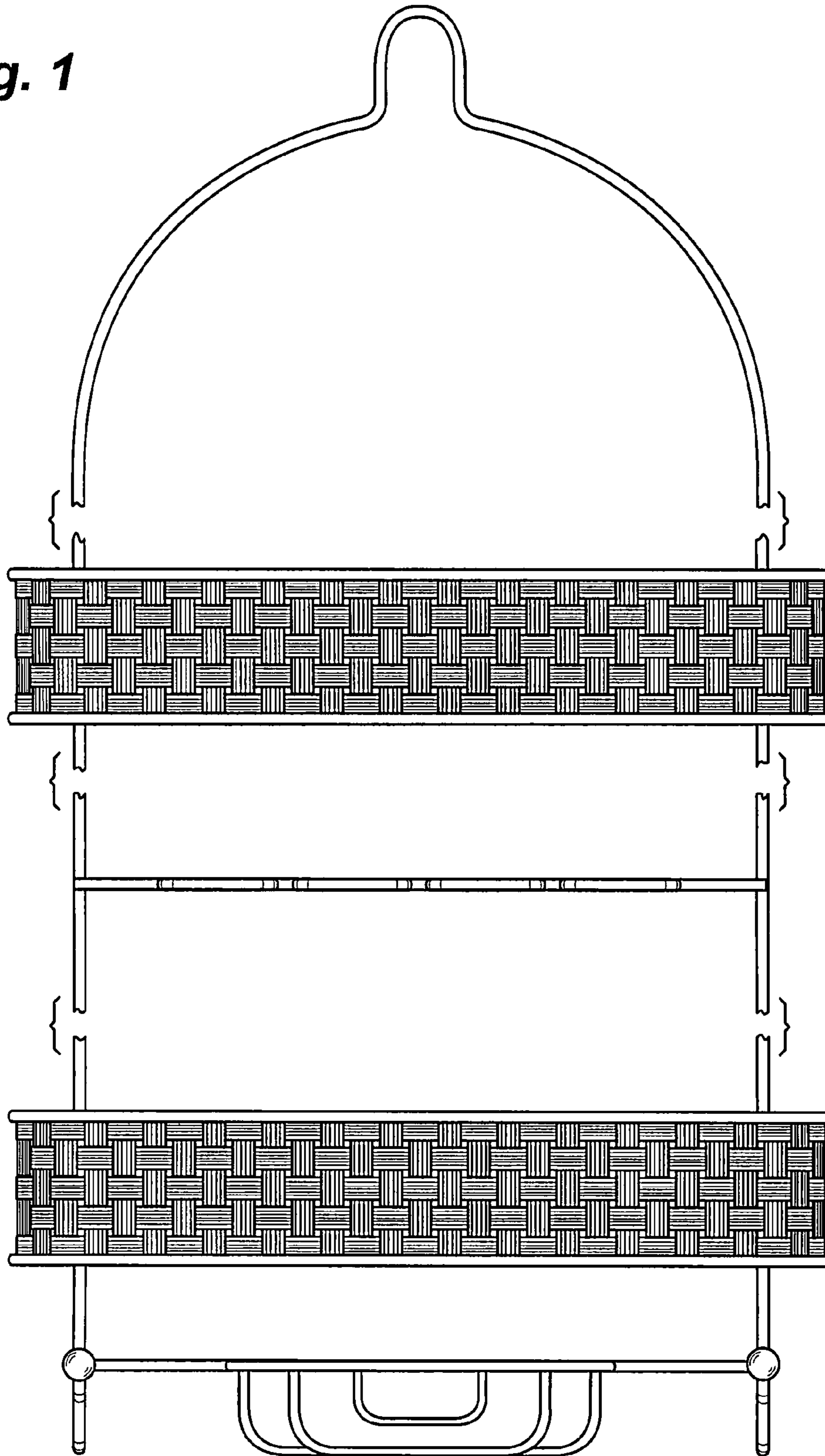
**DESCRIPTION**

FIG. 1 is a front elevational view of a shower caddy in accordance with my new design;  
FIG. 2 is a rear elevational view thereof;  
FIG. 3 is a left side elevational view thereof;  
FIG. 4 is a right side elevational view thereof;  
FIG. 5 is a top plan view thereof; and,  
FIG. 6 is a bottom plan view thereof.  
The vertical elements shown broken-away in the views are understood to represent an unclaimed length.

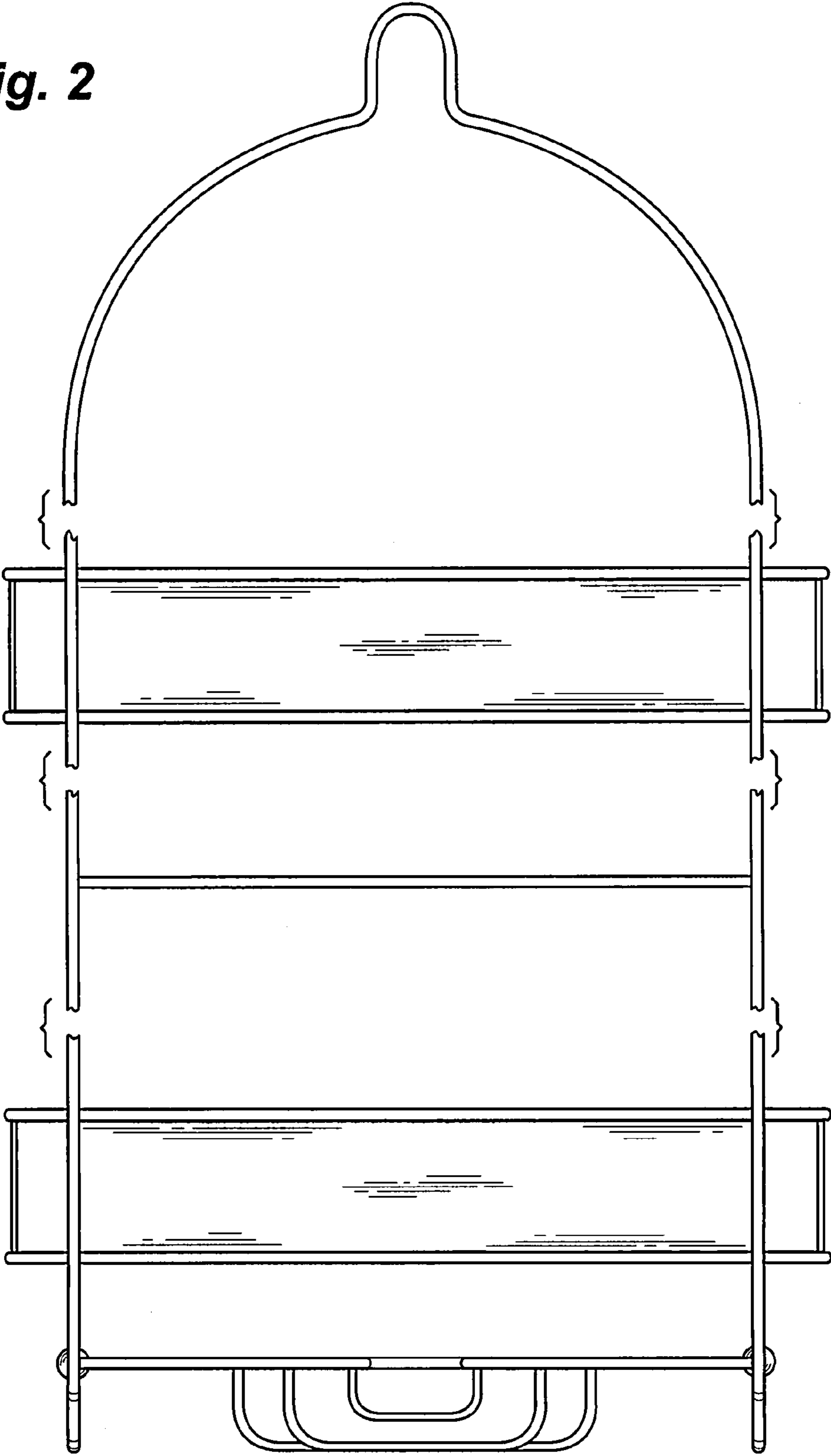
**1 Claim, 5 Drawing Sheets**



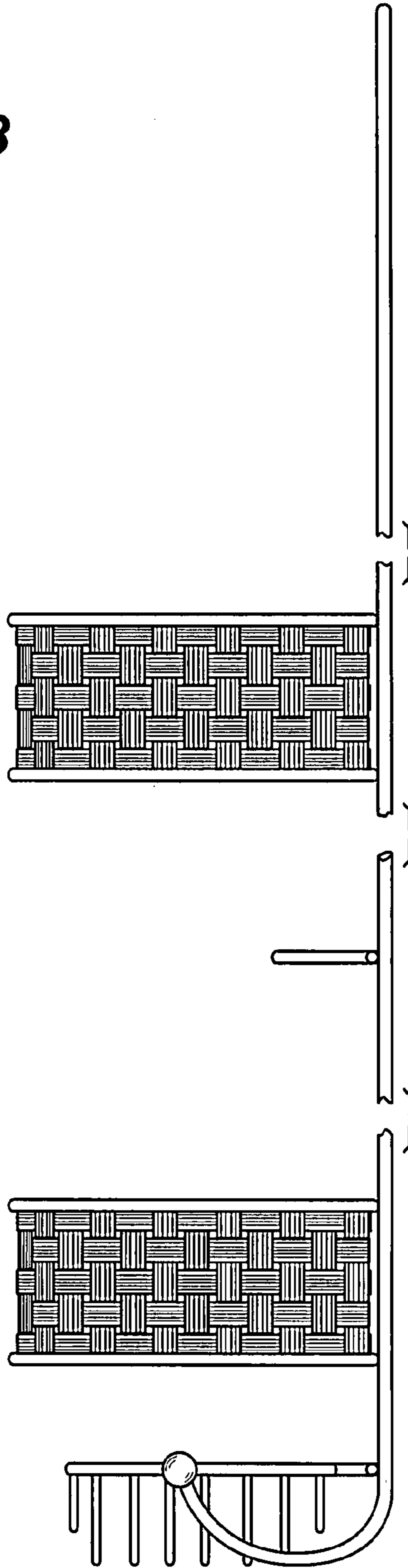
**Fig. 1**

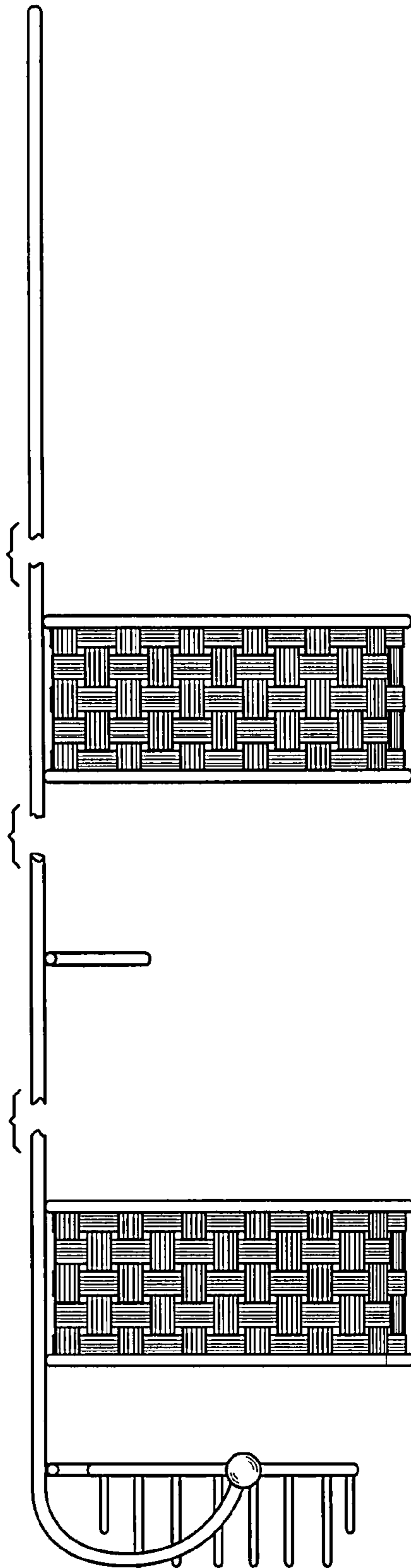


**Fig. 2**

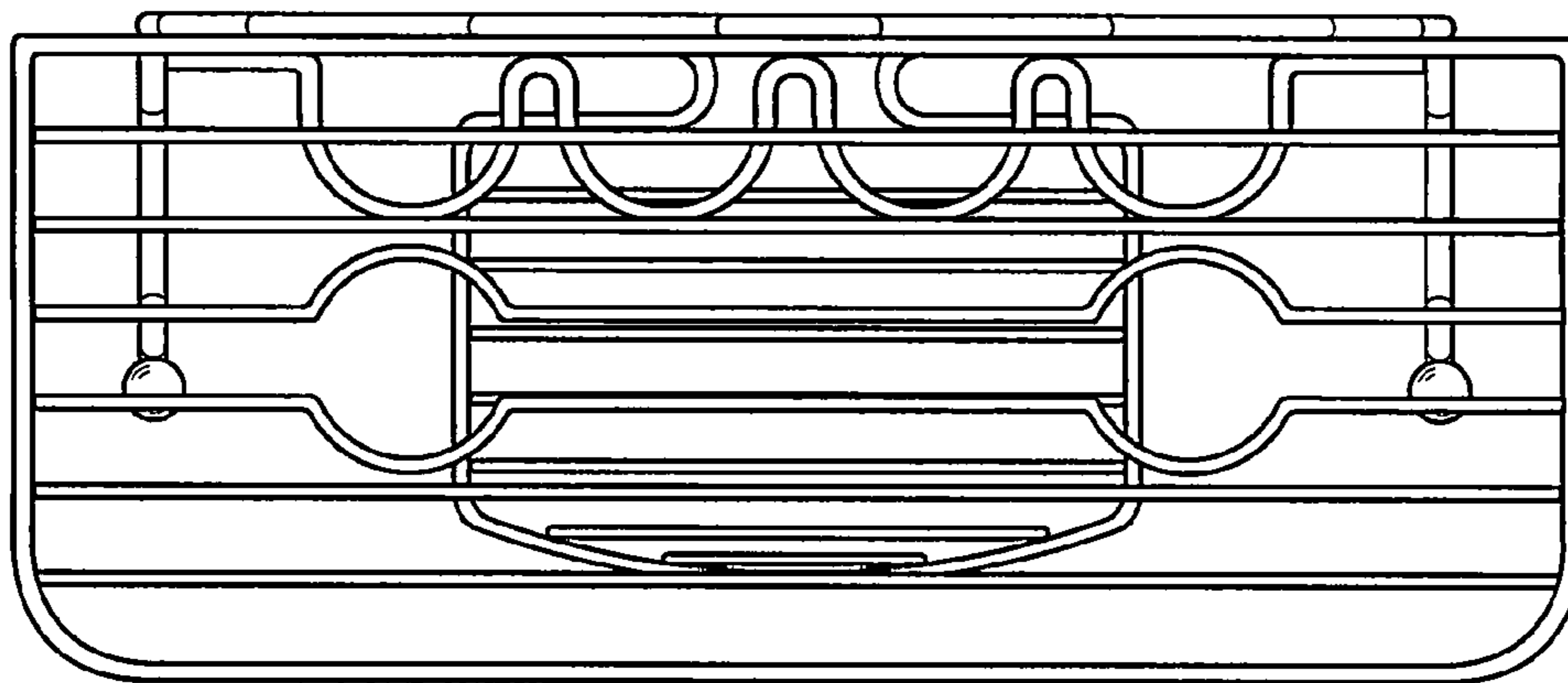


**Fig. 3**

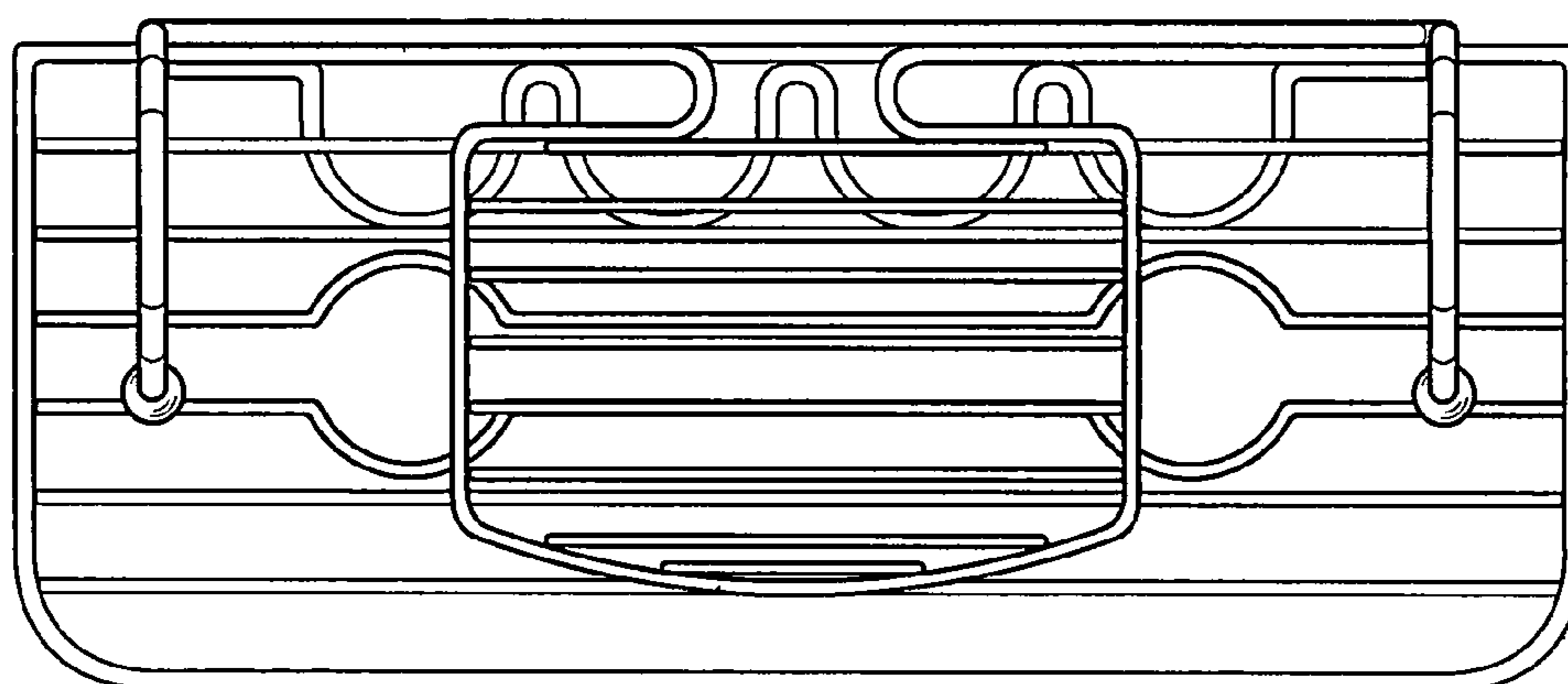




*Fig. 4*



**Fig. 5**



**Fig. 6**