

US00D698573S

(12) **United States Design Patent**
Carter

(10) **Patent No.:** **US D698,573 S**
(45) **Date of Patent:** **** Feb. 4, 2014**

(54) **TISSUE BOX STAND**
(76) Inventor: **Mary J. Carter**, Louisville, KY (US)
(**) Term: **14 Years**
(21) Appl. No.: **29/421,638**
(22) Filed: **Aug. 27, 2012**
(51) **LOC (10) Cl.** **23-02**
(52) **U.S. Cl.**
USPC **D6/524**
(58) **Field of Classification Search**
USPC D6/512-525, 546-550; D8/300,
D8/315-321, 354, 363, 373, 380;
108/28-29; 211/13.1, 16, 60.1, 86.01,
211/88.01, 88.04, 100, 105.1, 105.2, 123,
211/126.1, 133.6, 134, 181.1, 182;
248/176, 176.1, 200, 251, 302, 309.1;
242/242, 570, 590, 595-598; 206/389,
206/557

D520,281 S * 5/2006 Lin D6/523
7,278,604 B1 10/2007 Constantino
D573,822 S 7/2008 Yang
7,410,052 B2 8/2008 Cook
D581,697 S 12/2008 Fix
7,481,395 B2 1/2009 Rogers
D604,974 S 12/2009 Morrison
7,694,848 B2 4/2010 Petry
D642,410 S * 8/2011 Vaults, Jr. D6/524
7,988,117 B2 8/2011 Blanchard
2002/0067038 A1 6/2002 Tran
2007/0007417 A1 1/2007 Brandenburg
2009/0127276 A1 5/2009 Rippl
2010/0163569 A1 7/2010 Parker

* cited by examiner

Primary Examiner — Brian N Vinson
(74) *Attorney, Agent, or Firm* — Carrithers Law Office PLLC

(57) **CLAIM**
The ornamental design for a tissue box stand, as shown and described.

DESCRIPTION

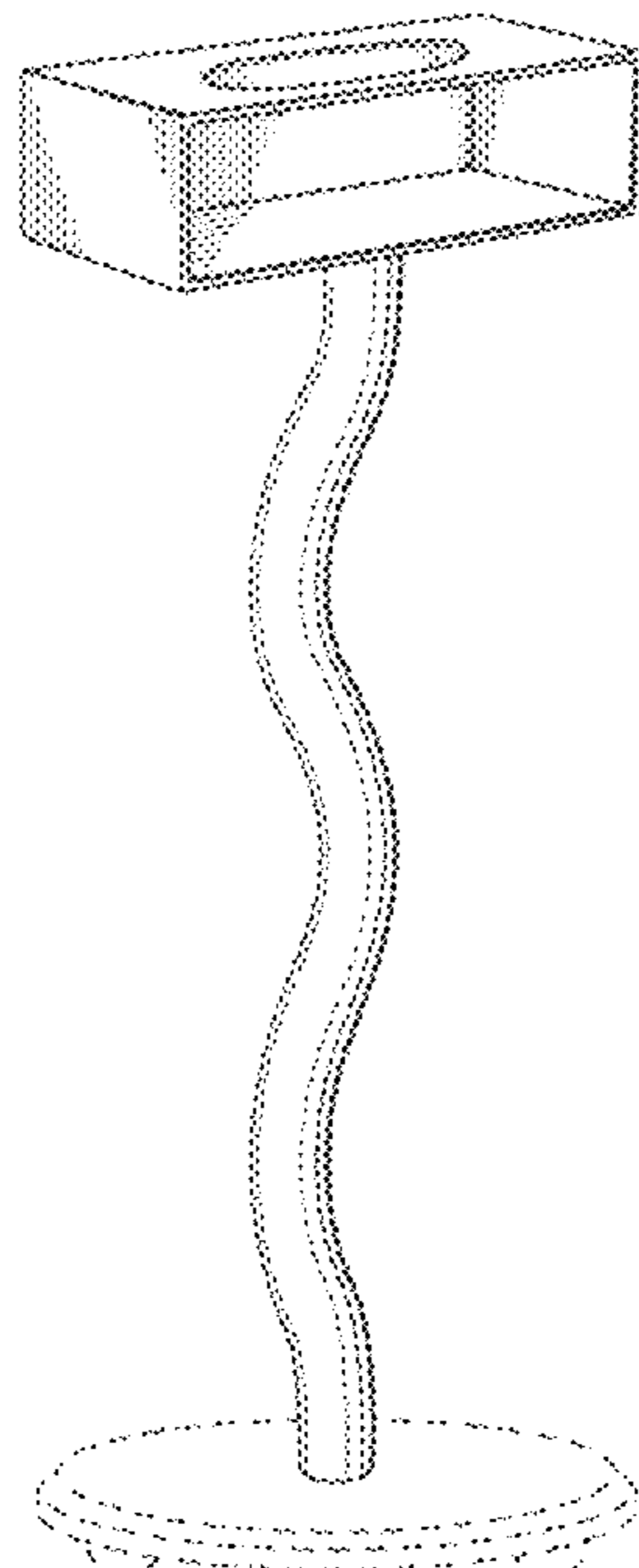
FIG. 1 is a perspective view of the tissue box stand showing my new design;
FIG. 2 is a front view thereof;
FIG. 3 is a rear view thereof;
FIG. 4 is a left side view thereof;
FIG. 5 is a right side view thereof;
FIG. 6 is a plan top view thereof; and,
FIG. 7 is a plan bottom view thereof.
The broken lines showing the base of the stand are for illustrative purposes only and form no part of the claimed design.

1 Claim, 2 Drawing Sheets

See application file for complete search history.

(56) **References Cited**
U.S. PATENT DOCUMENTS

3,742,870	A	7/1973	Gusdorf	
4,978,095	A	12/1990	Phillips	
5,013,099	A	5/1991	Styles	
5,311,986	A	5/1994	Putz	
D380,325	S	7/1997	Kempf	
6,047,920	A	4/2000	Dearwester	
D444,649	S	7/2001	Amato	
6,290,169	B1	9/2001	Hartley	
D476,835	S *	7/2003	Lai	D6/523
6,691,897	B2	2/2004	Ashe	
6,988,691	B1 *	1/2006	Lai	D6/520



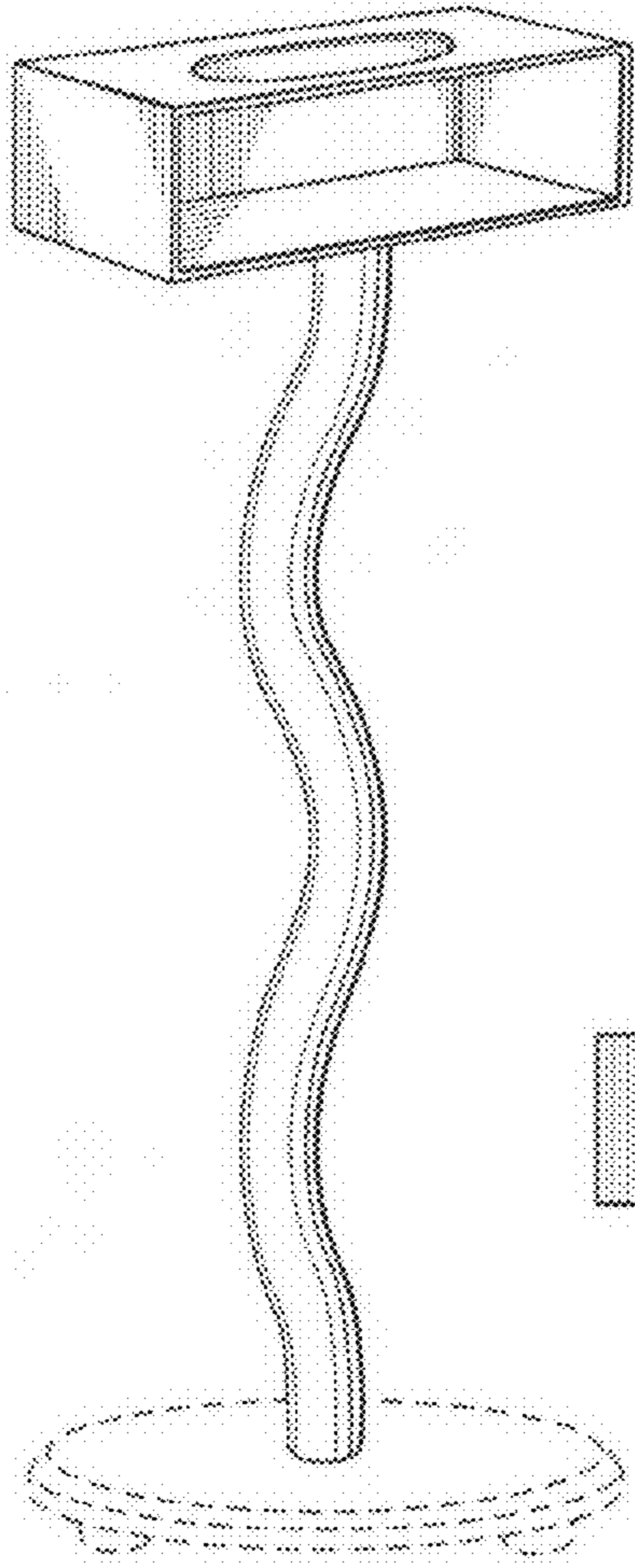


FIG. 1

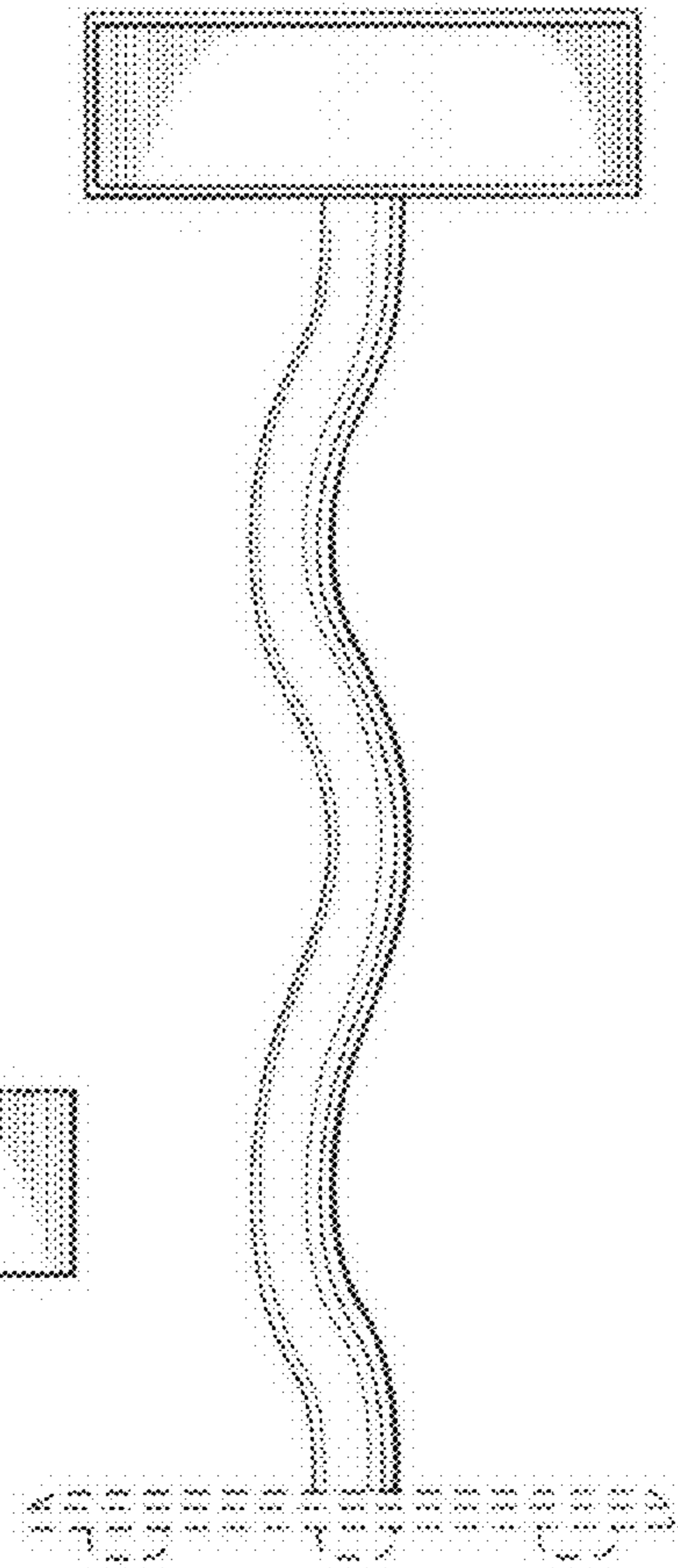


FIG. 2

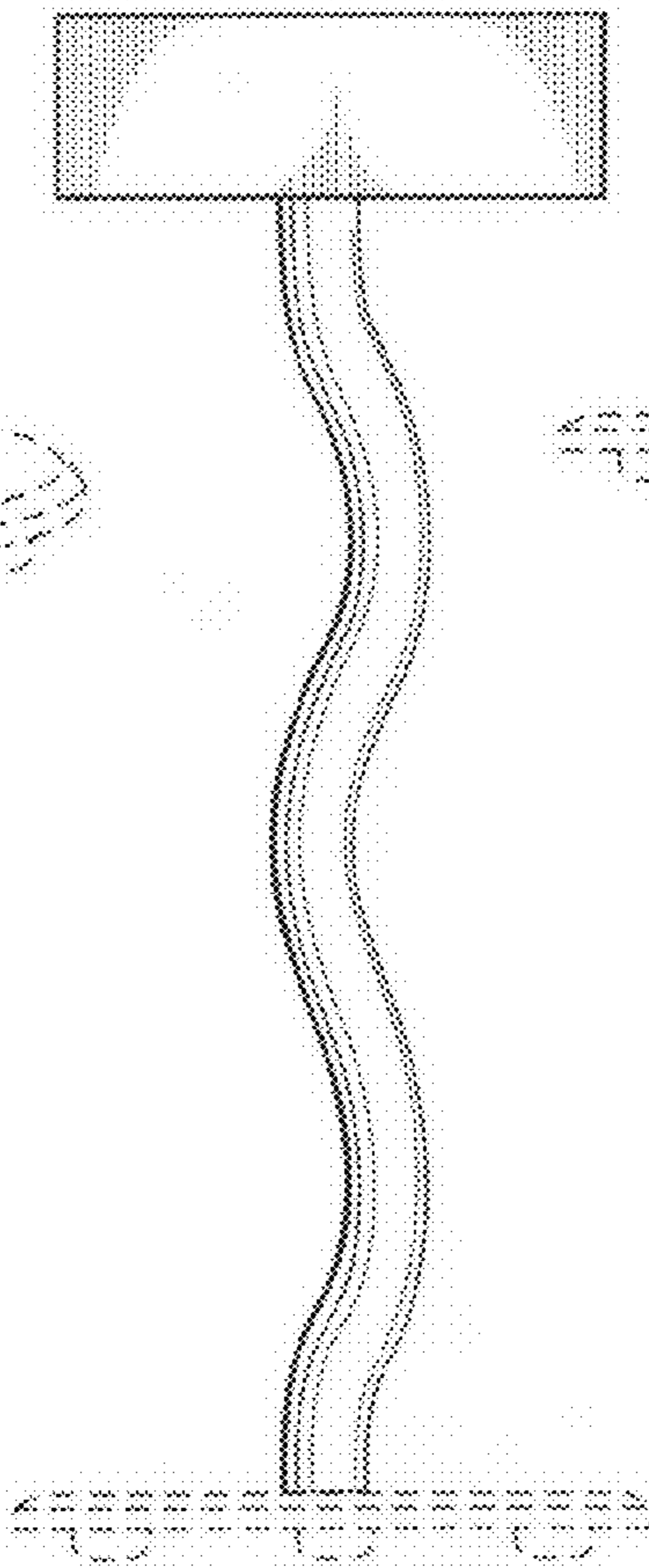


FIG. 3

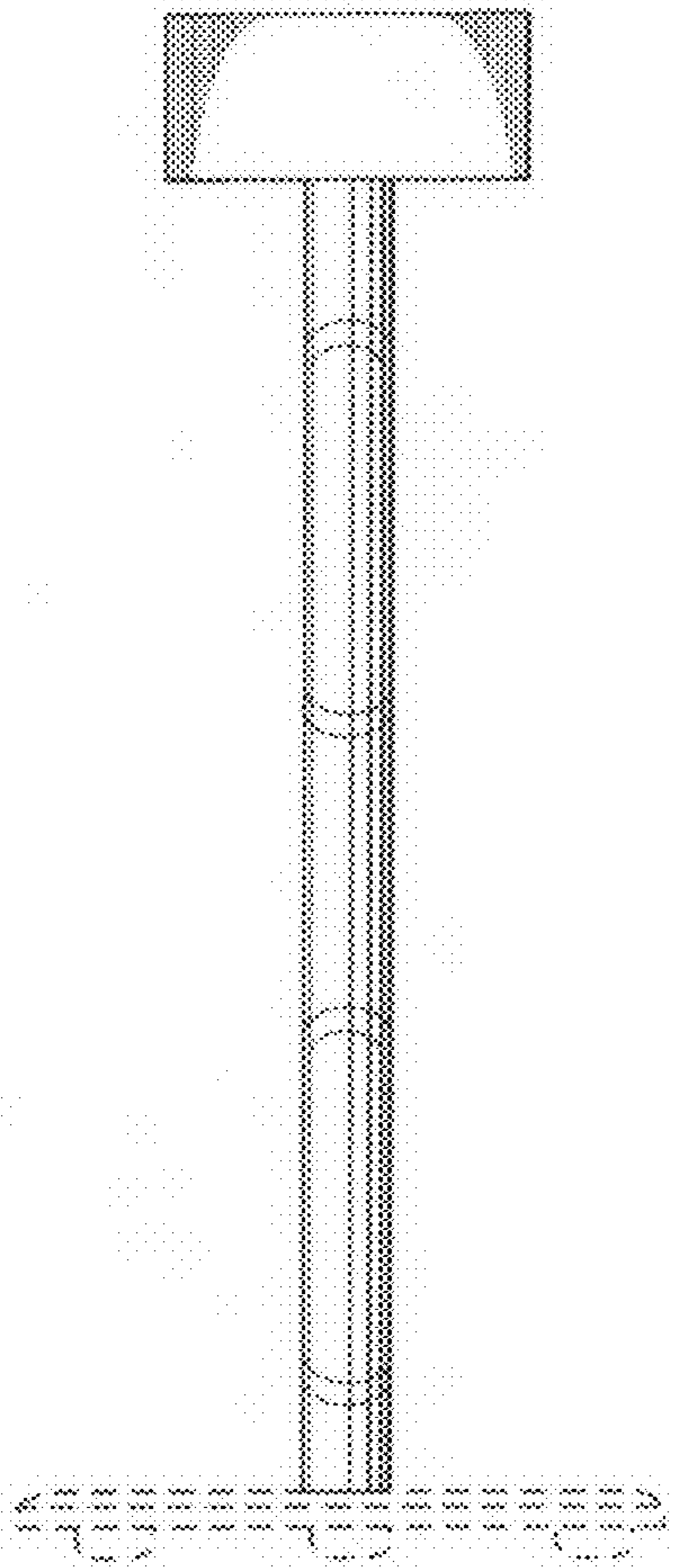


FIG. 4

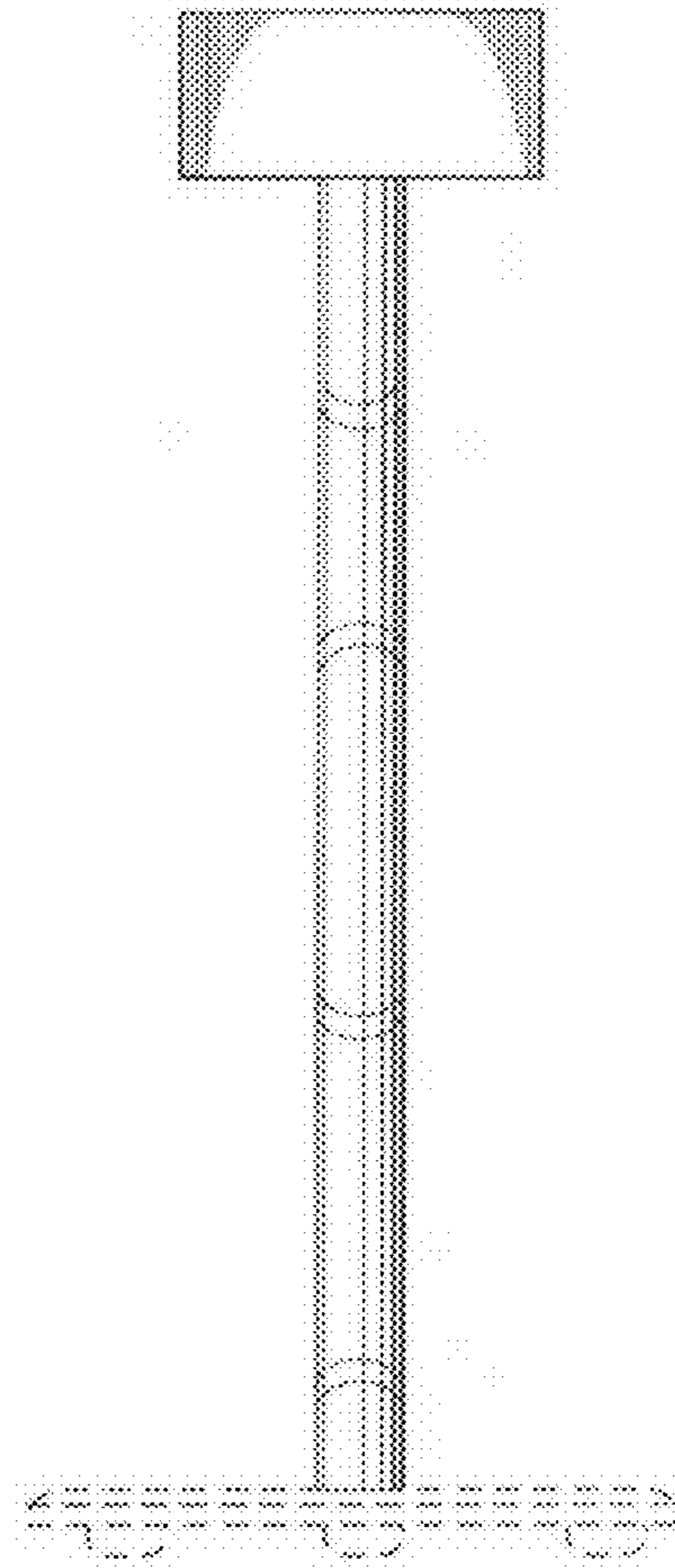


FIG. 5

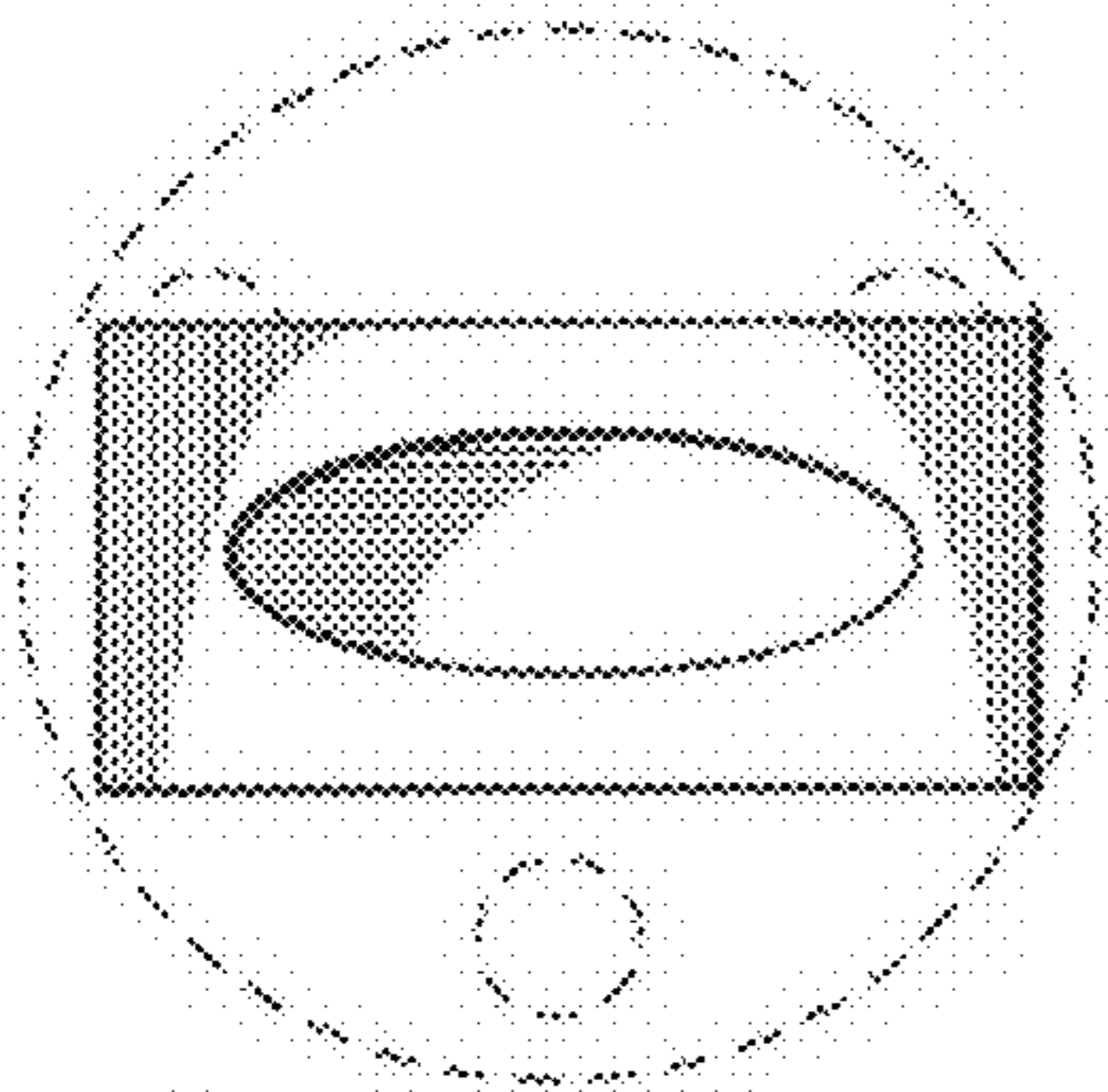


FIG. 6

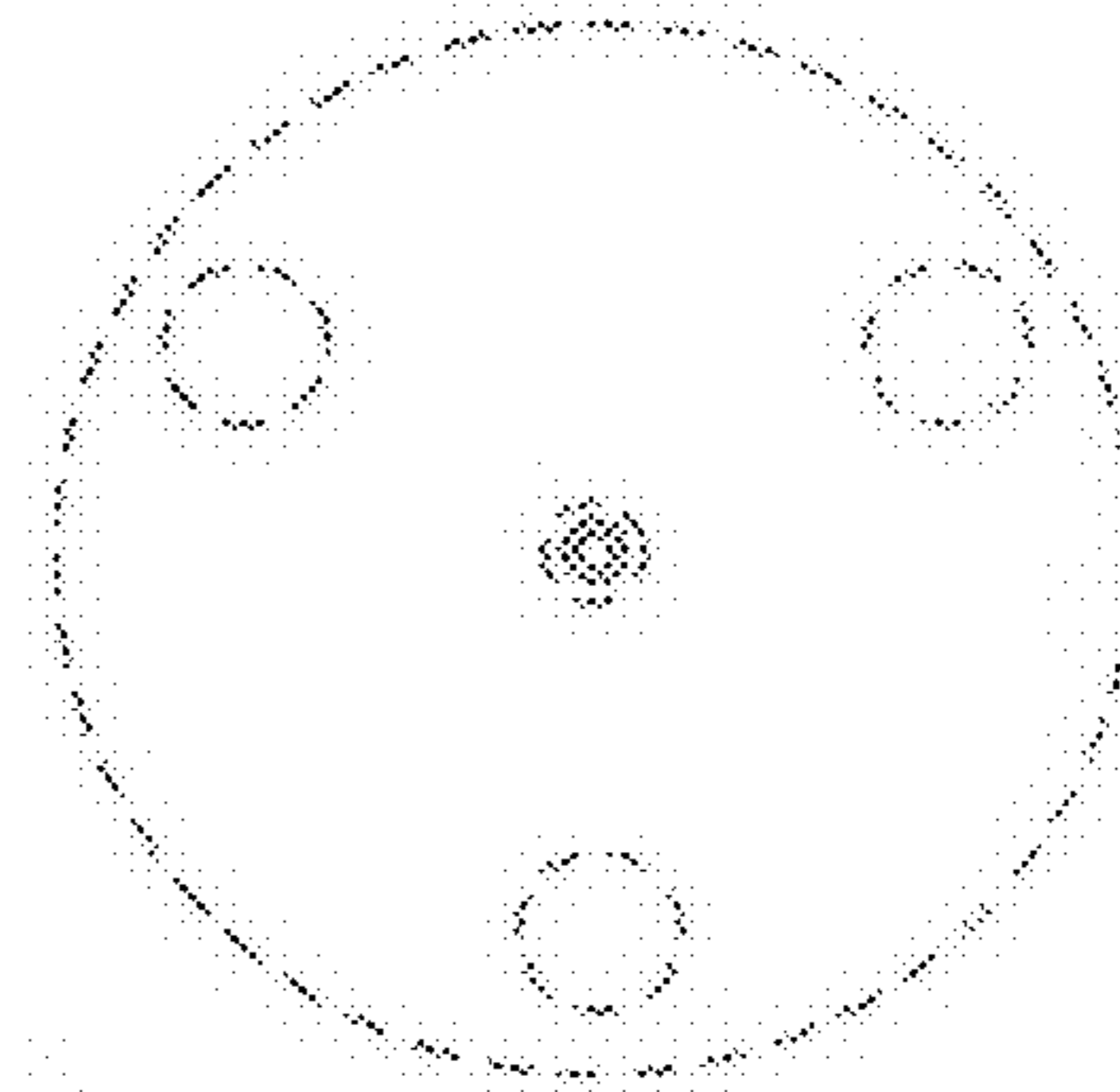


FIG. 7