

US00D698570S

(12) **United States Design Patent**  
**Tawil**

(10) **Patent No.:** **US D698,570 S**

(45) **Date of Patent:** **\*\* Feb. 4, 2014**

(54) **TISSUE ROLL HOLDER**

(75) Inventor: **Joseph Tawil**, Brooklyn, NY (US)

(73) Assignee: **IDP, LLC**, New York, NY (US)

(\*\*) Term: **14 Years**

(21) Appl. No.: **29/431,435**

(22) Filed: **Sep. 7, 2012**

(51) **LOC (10) Cl.** ..... **20-02**

(52) **U.S. Cl.**  
USPC ..... **D6/520**

(58) **Field of Classification Search**  
USPC ..... D6/515-523, 566, 552; D3/201, 304,  
D3/305, 306; 206/389, 391; 211/13.1,  
211/86.01, 87.01, 71.01, 181.1; 242/580,  
242/590; 248/309.1; D34/1; D11/148;  
220/489

See application file for complete search history.

(56) **References Cited**

**U.S. PATENT DOCUMENTS**

D512,861 S \* 12/2005 Rosen ..... D6/525  
D525,812 S \* 8/2006 Goodman et al. .... D6/520

D530,551 S \* 10/2006 Snell ..... D6/525  
D618,021 S \* 6/2010 Guindi ..... D6/520  
D619,839 S \* 7/2010 Guindi ..... D6/520  
D647,744 S \* 11/2011 Guindi ..... D6/520  
D647,745 S \* 11/2011 Guindi ..... D6/520

\* cited by examiner

*Primary Examiner* — Brian N Vinson

(74) *Attorney, Agent, or Firm* — Carter, DeLuca, Farrell & Schmidt, LLP

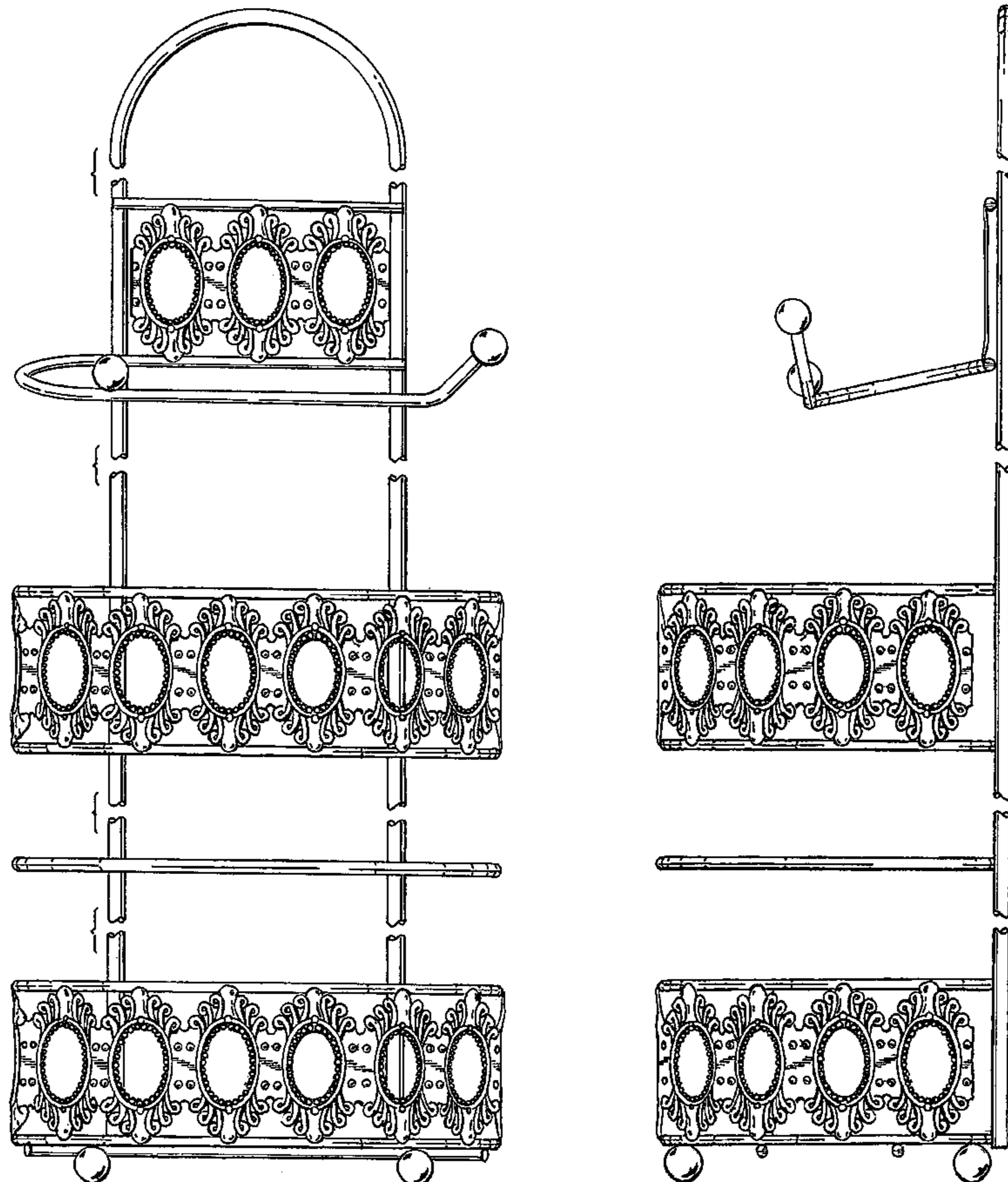
(57) **CLAIM**

The ornamental design for a tissue roll holder, as shown and described.

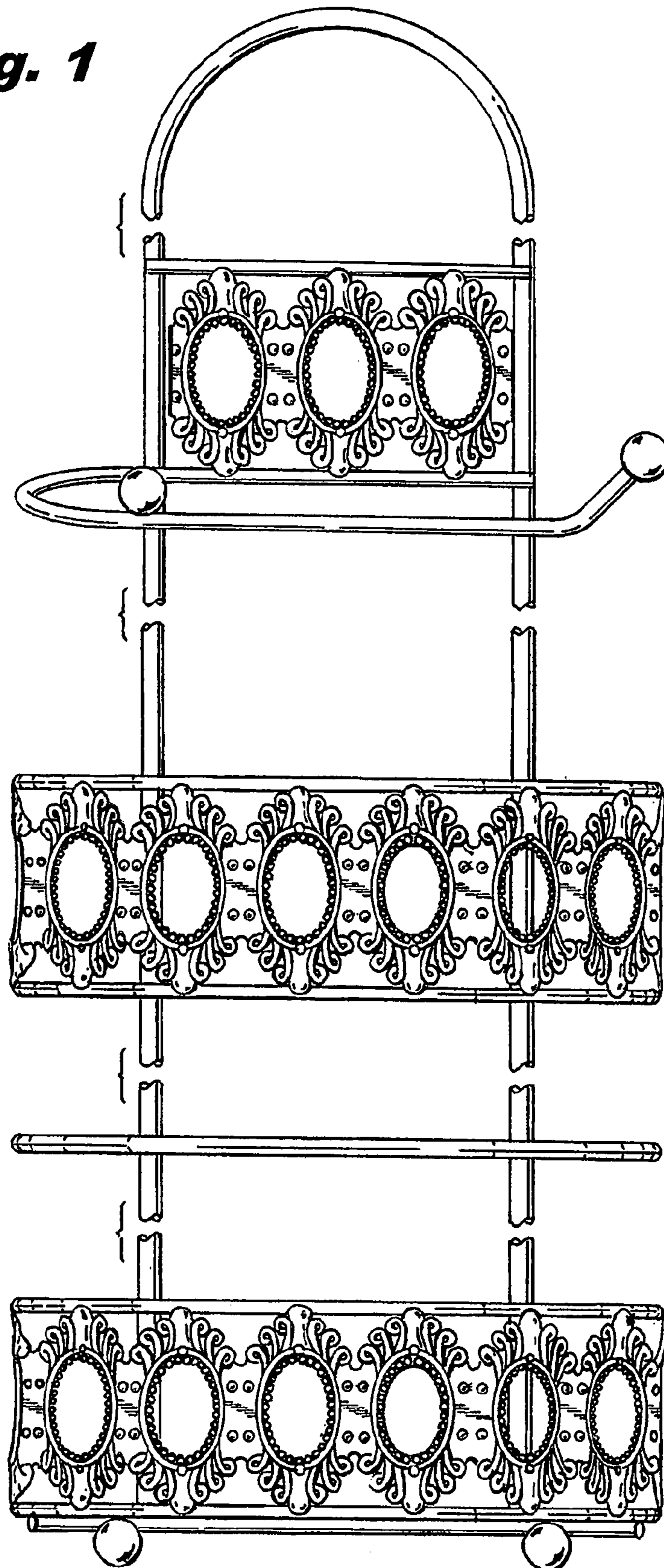
**DESCRIPTION**

FIG. 1 is a front elevational view of a tissue roll holder of the new design;  
FIG. 2 is a rear elevational view thereof;  
FIG. 3 is a left side elevational view thereof;  
FIG. 4 is a right side elevational view thereof;  
FIG. 5 is a top plan view thereof; and,  
FIG. 6 is a bottom plan view thereof.  
The vertical elements shown broken-away in the views are understood to represent an unclaimed length.

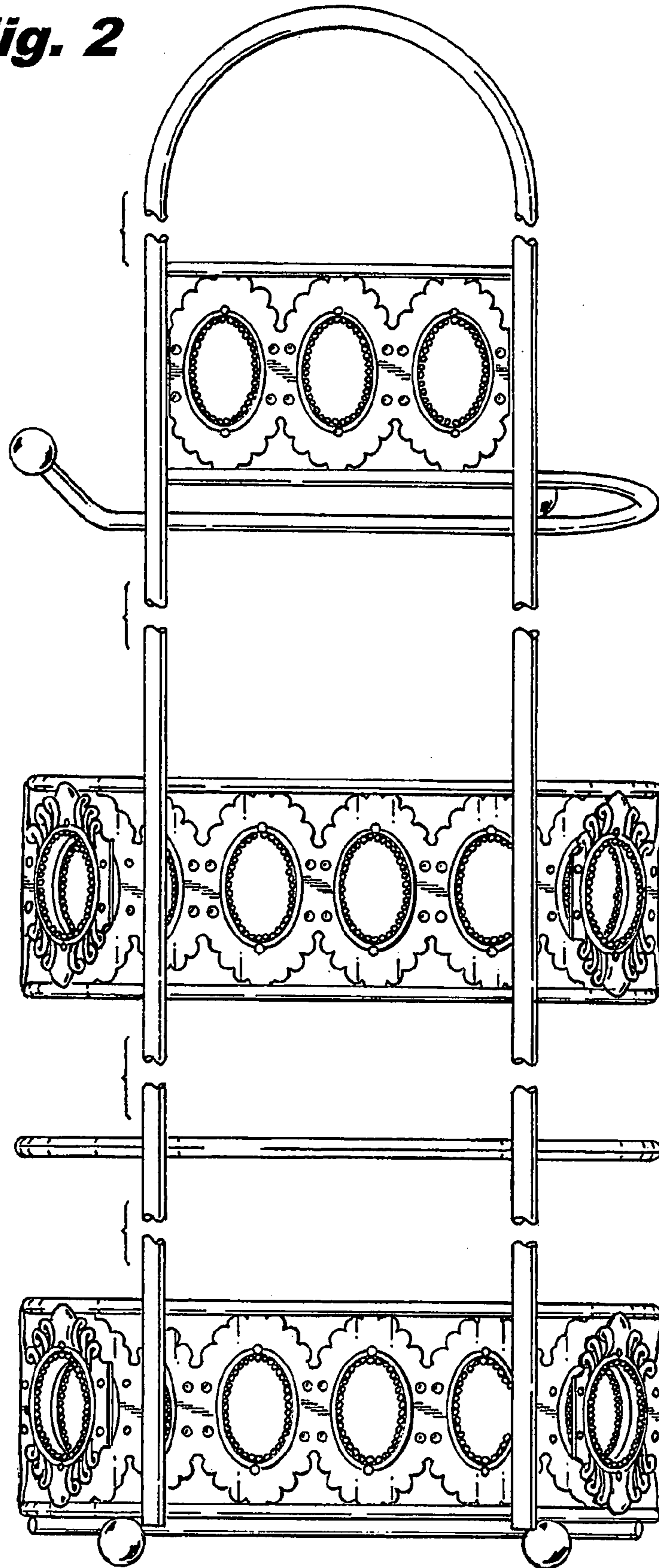
**1 Claim, 5 Drawing Sheets**



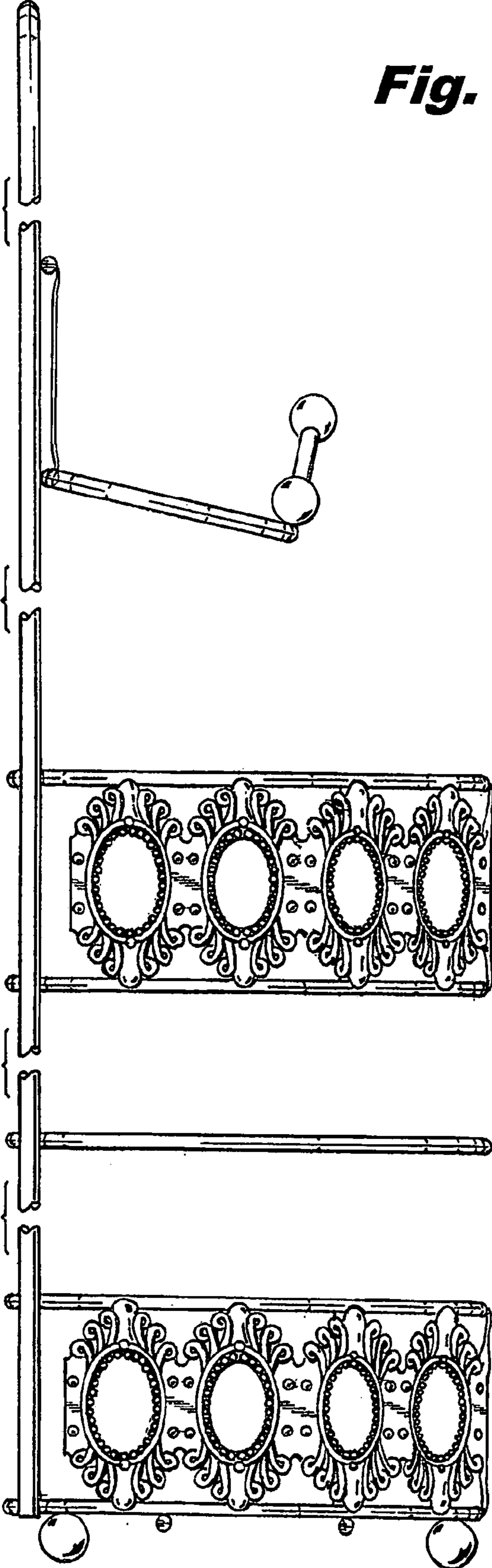
**Fig. 1**



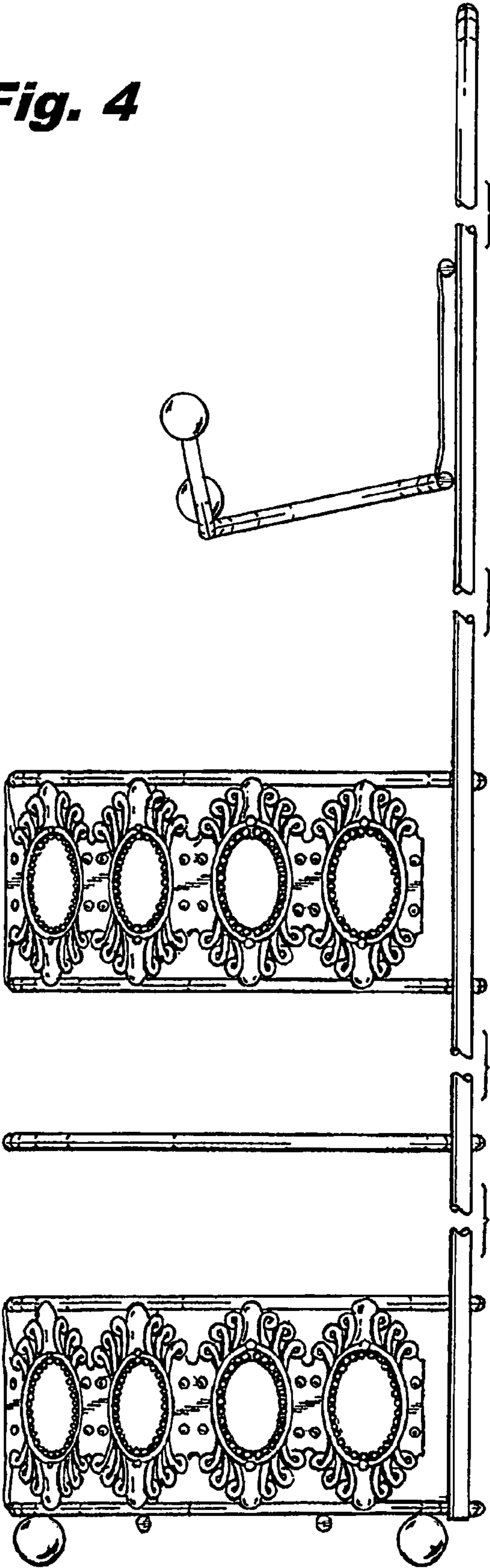
**Fig. 2**



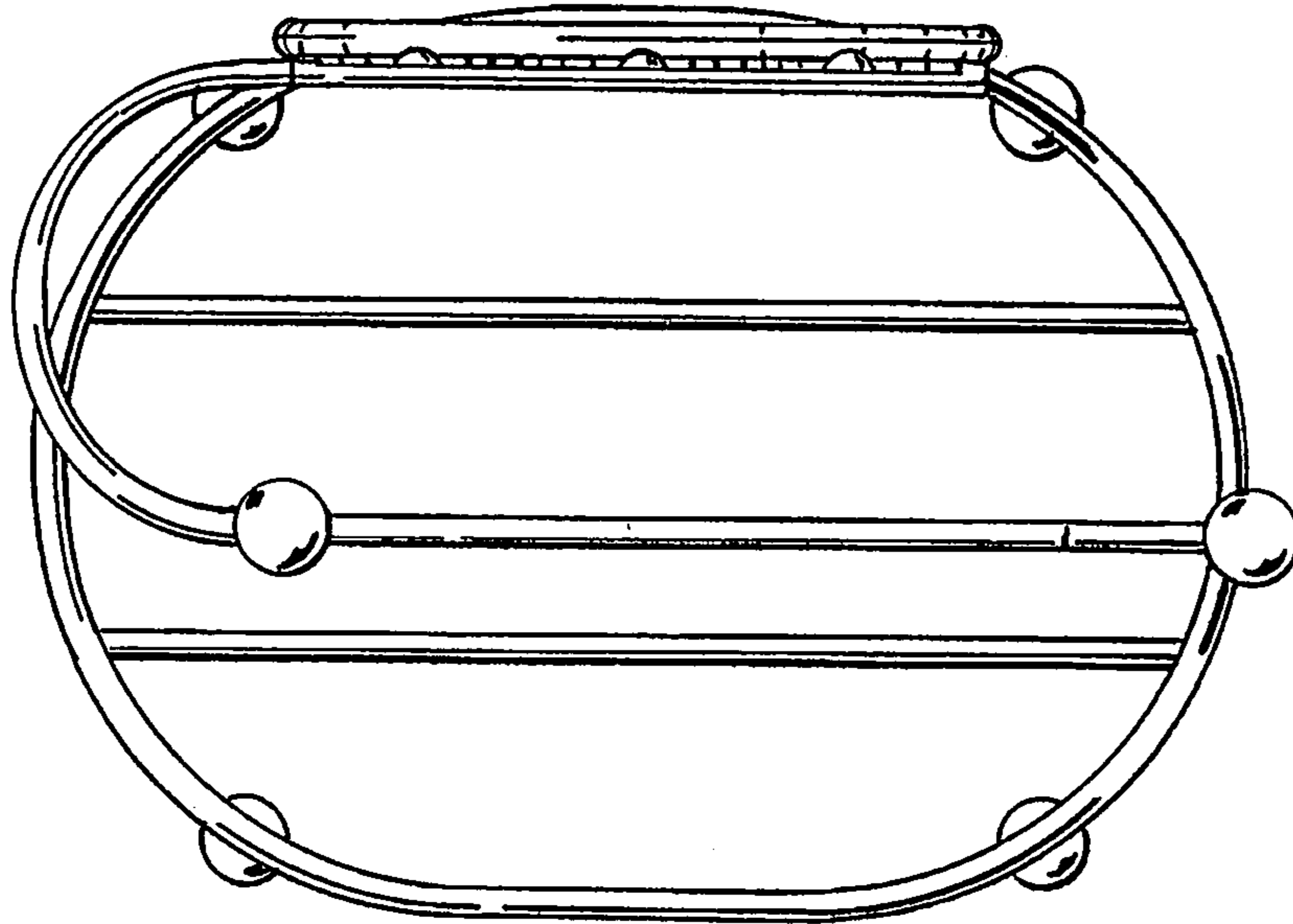
**Fig. 3**



**Fig. 4**



**Fig. 5**



**Fig. 6**

