



US00D698569S

(12) **United States Design Patent**  
**Tapper**

(10) **Patent No.:** **US D698,569 S**

(45) **Date of Patent:** **\*\* Feb. 4, 2014**

(54) **24 COUNT CUPCAKE DISPLAY KIT WITH JAGGED DIVIDERS**

(75) Inventor: **Laura J. Tapper**, Dallas, TX (US)

(73) Assignee: **Laura J. Tapper**, Richardson, TX (US)

(\*\*) Term: **14 Years**

(21) Appl. No.: **29/410,388**

(22) Filed: **Jan. 6, 2012**

**Related U.S. Application Data**

(63) Continuation-in-part of application No. 29/355,035, filed on Feb. 1, 2010, now abandoned.

(51) **LOC (10) Cl.** ..... **06-07**

(52) **U.S. Cl.**  
USPC ..... **D6/449**

(58) **Field of Classification Search**  
USPC ..... D6/300-314, 449; D7/610; D9/414, D9/456, 754; 220/574, 600-60  
See application file for complete search history.

(56) **References Cited**

**U.S. PATENT DOCUMENTS**

D255,085 S	5/1980	Free et al.
5,912,033 A	6/1999	Ferguson
5,967,323 A	10/1999	Siragusa
6,003,671 A	12/1999	McDonough et al.
D423,864 S	5/2000	Chang et al.
6,146,673 A	11/2000	Ferguson
6,186,351 B1	2/2001	Coyle
6,318,030 B1	11/2001	McClure et al.
6,450,341 B1	9/2002	Krupa et al.
6,450,343 B1	9/2002	Arnaldi
6,905,017 B1	6/2005	Sarnoff et al.
D515,363 S	2/2006	Driggers et al.
D553,902 S	10/2007	Barber
D559,613 S	1/2008	DeMirjian, III
D569,677 S	5/2008	Poon
D574,182 S	8/2008	Shannon et al.
D596,447 S	7/2009	Cubillos

*Primary Examiner* — Philip S. Hyder  
*Assistant Examiner* — Sydney Buffalow

(74) *Attorney, Agent, or Firm* — Chainey P. Singleton; Edwin S. Flores; Chalker Flores, LLP

(57) **CLAIM**

The ornamental design for a 24 count cupcake display kit with jagged dividers, as shown and described.

**DESCRIPTION**

FIG. 1 is a top view of the cupcake insert illustrating the cupcake holes extending through the top surface of the cupcake insert and decorative dividers positioned between the cupcake holes and extending from the surface of the cupcake insert;

FIG. 2 is a side view of the cupcake insert and decorative dividers having a jagged top edge positioned between the cupcake holes and extending from the surface of the cupcake insert;

FIG. 3 is a side view of the cupcake insert and decorative dividers positioned between the cupcake holes and extending from the surface of the cupcake insert;

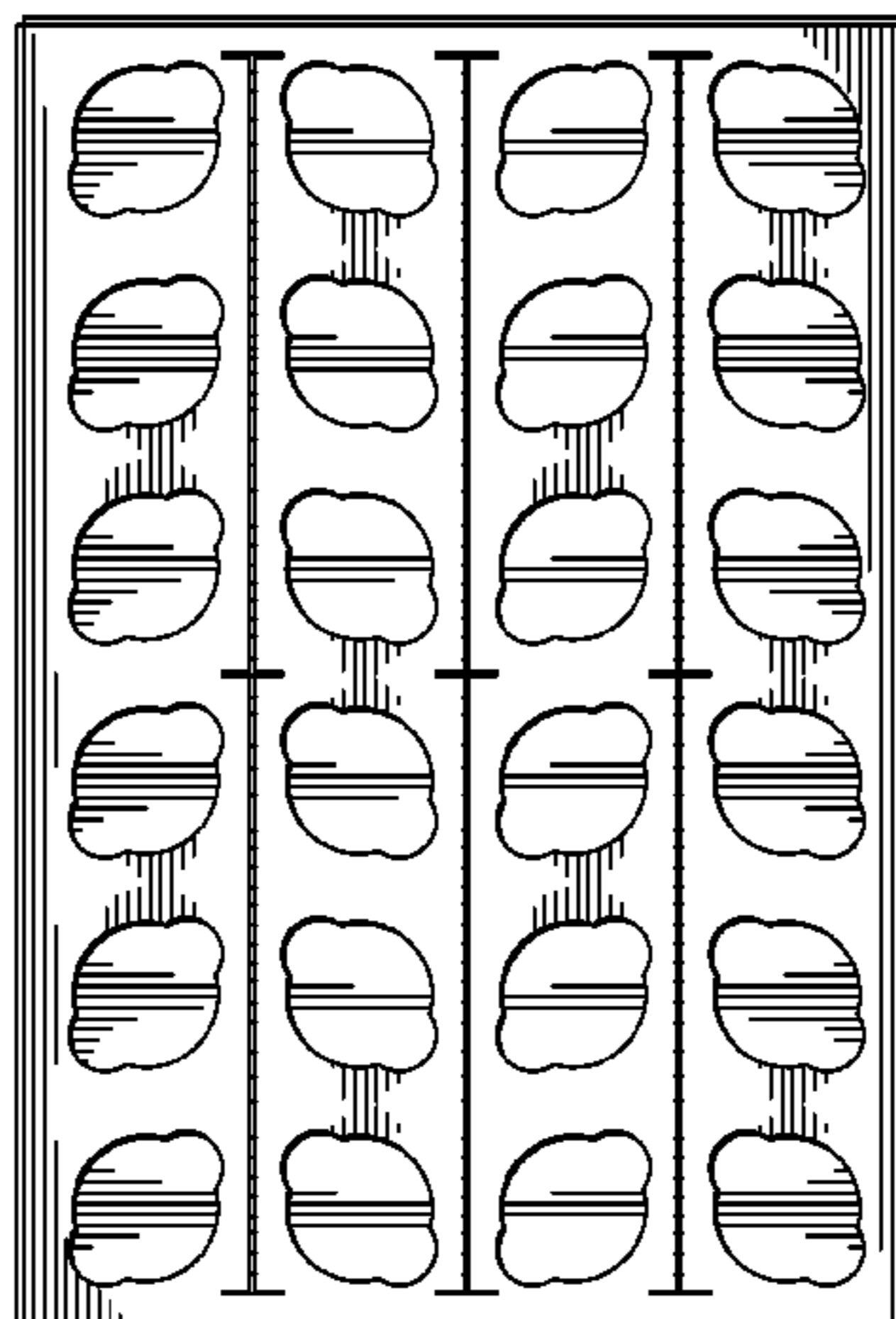
FIG. 4 is a perspective view of the cupcake tray;

FIG. 5 is a perspective view of the cupcake insert positioned in the cupcake tray illustrating cupcake holes extending through the top surface of the cupcake insert and the decorative dividers having a jagged top edge positioned between the cupcake holes and extending from the surface of the cupcake insert;

FIG. 6 is a top view of the cupcake box top having a transparent window in the top surface for viewing the contents thereof;

FIG. 7 is a perspective view of the cupcake box top having a transparent window in the top surface for viewing the contents thereof;

FIG. 8 is a top view of the cupcake box top positioned between the cupcake tray and cupcake insert, the cupcake box top includes a transparent window in the top surface for viewing the cupcake insert and illustrating cupcake holes extending through the top surface of the cupcake insert making the interior surface of the cupcake tray visible through the cupcake holes and decorative dividers having a jagged top



edge positioned between the cupcake holes and extending from the surface of the cupcake insert;

FIG. 9 is a perspective view of the cupcake box top inserted between the cupcake tray and cupcake insert, with the cupcake box top having a transparent window in the top surface for viewing the cupcake insert and visible are cupcake holes extending through the top surface of the cupcake insert making the interior surface of the cupcake tray visible through the cupcake holes and decorative dividers having a jagged top edge positioned between the cupcake holes and extending from the surface of the cupcake insert; and,

FIG. 10 is a perspective view of the cupcake box top positioned along side the cupcake tray wherein the cupcake box top includes a transparent window in the top surface and is positioned adjacent to the cupcake tray and the cupcake

insert, visible in the figure are cupcake holes extending through the top surface of the cupcake insert making the interior surface of the cupcake tray visible through the cupcake holes and decorative dividers having a jagged top edge positioned between the cupcake holes and extending from the surface of the cupcake insert.

The nature and intended use of the article in which the design is embodied in a 24 count cupcake display kit with decorative dividers having a jagged top edge. The cupcake kit includes a low cupcake insert positioned in a low cupcake tray. A tall cupcake box top with a see through window is positioned in the low cupcake tray between the cupcake tray walls and the cupcake insert sides.

**1 Claim, 5 Drawing Sheets**

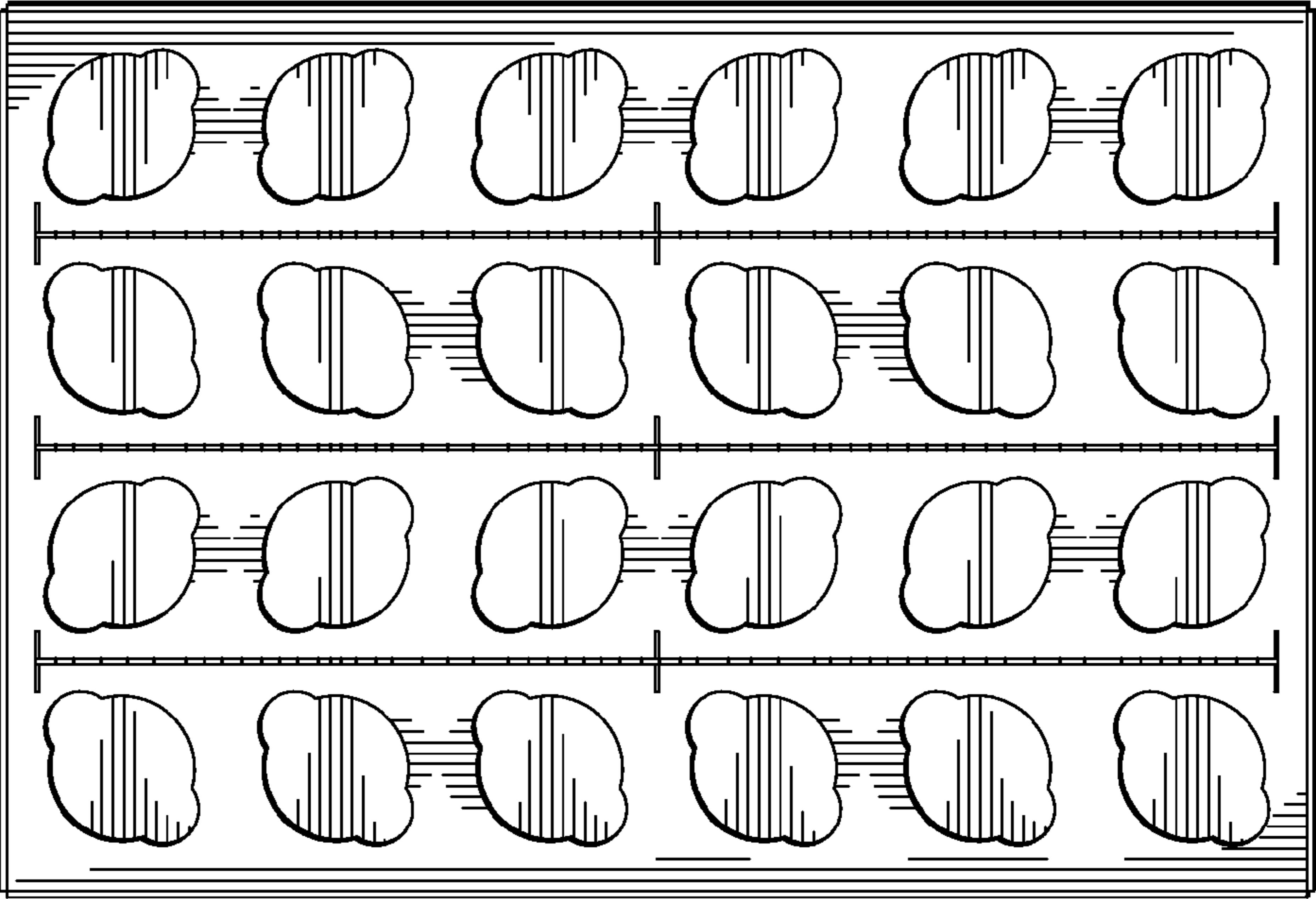


FIG. 1

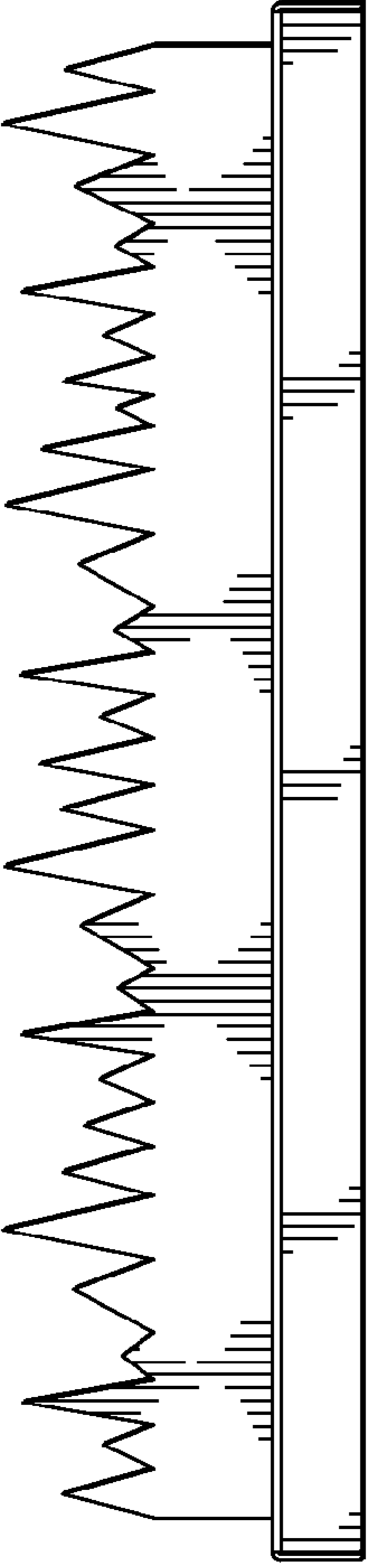


FIG. 2

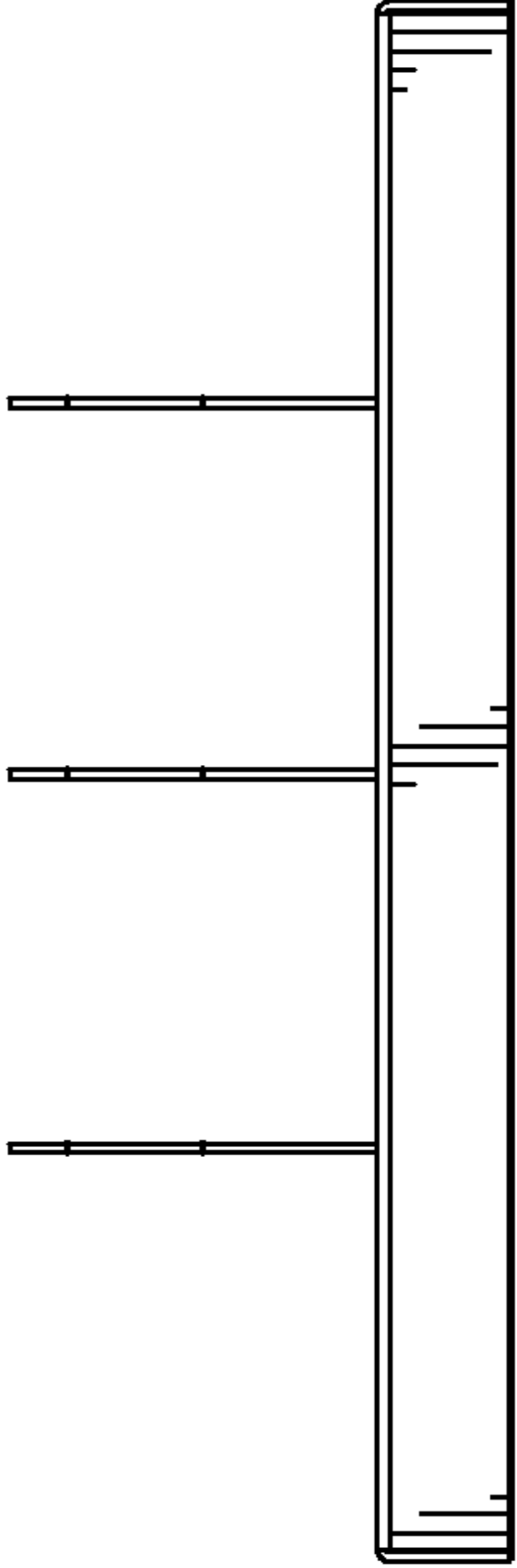


FIG. 3

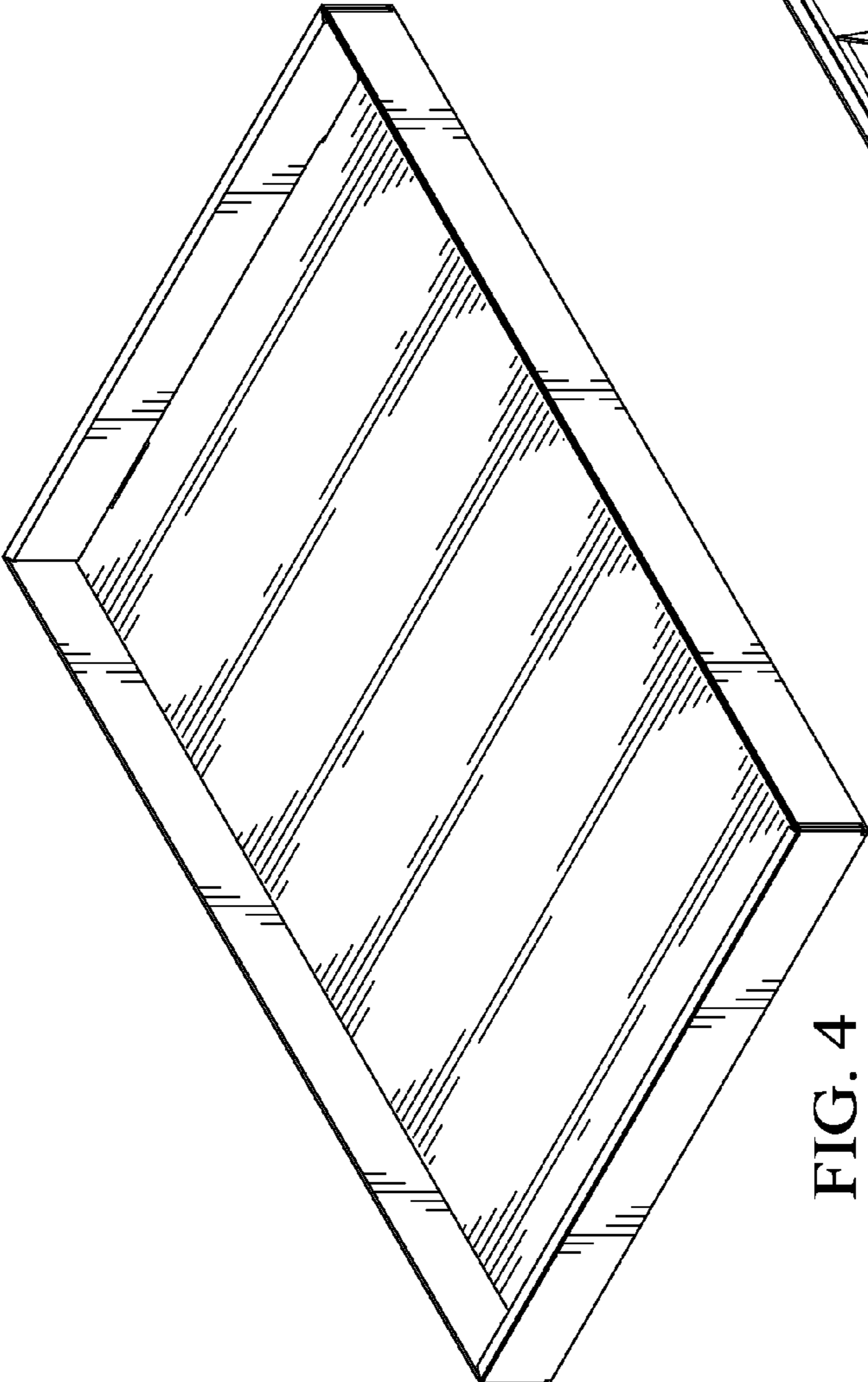


FIG. 4

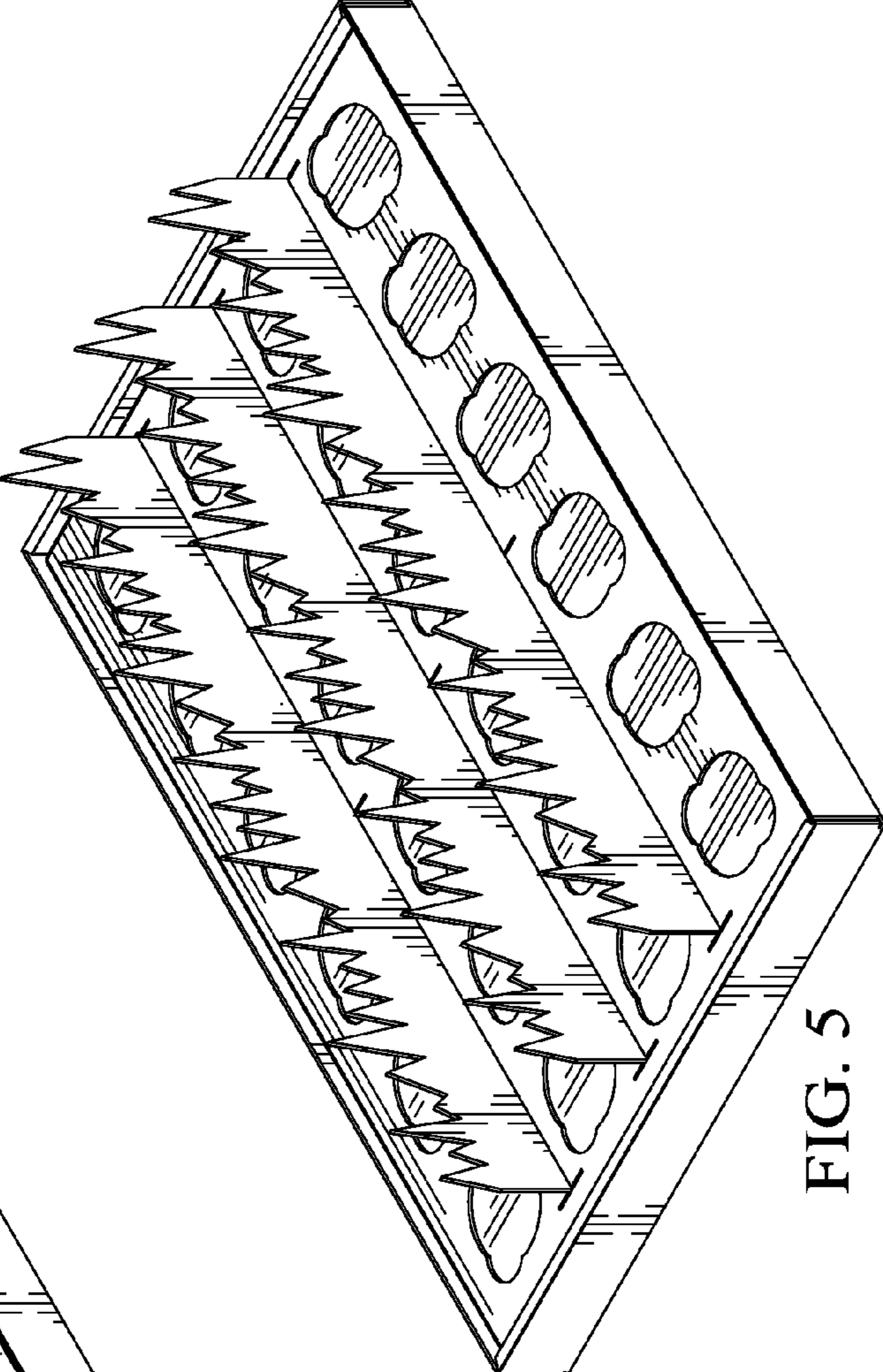


FIG. 5

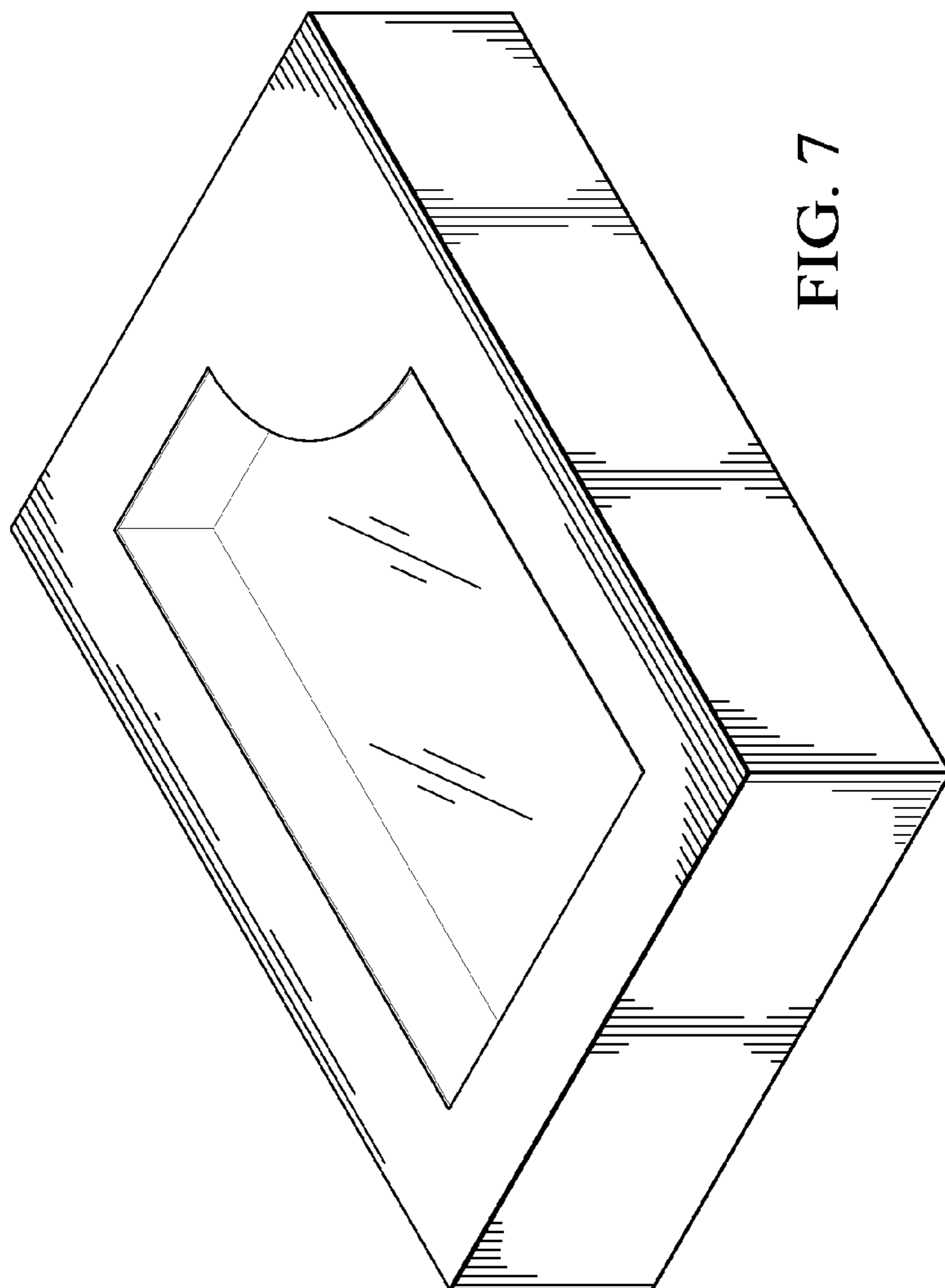


FIG. 7

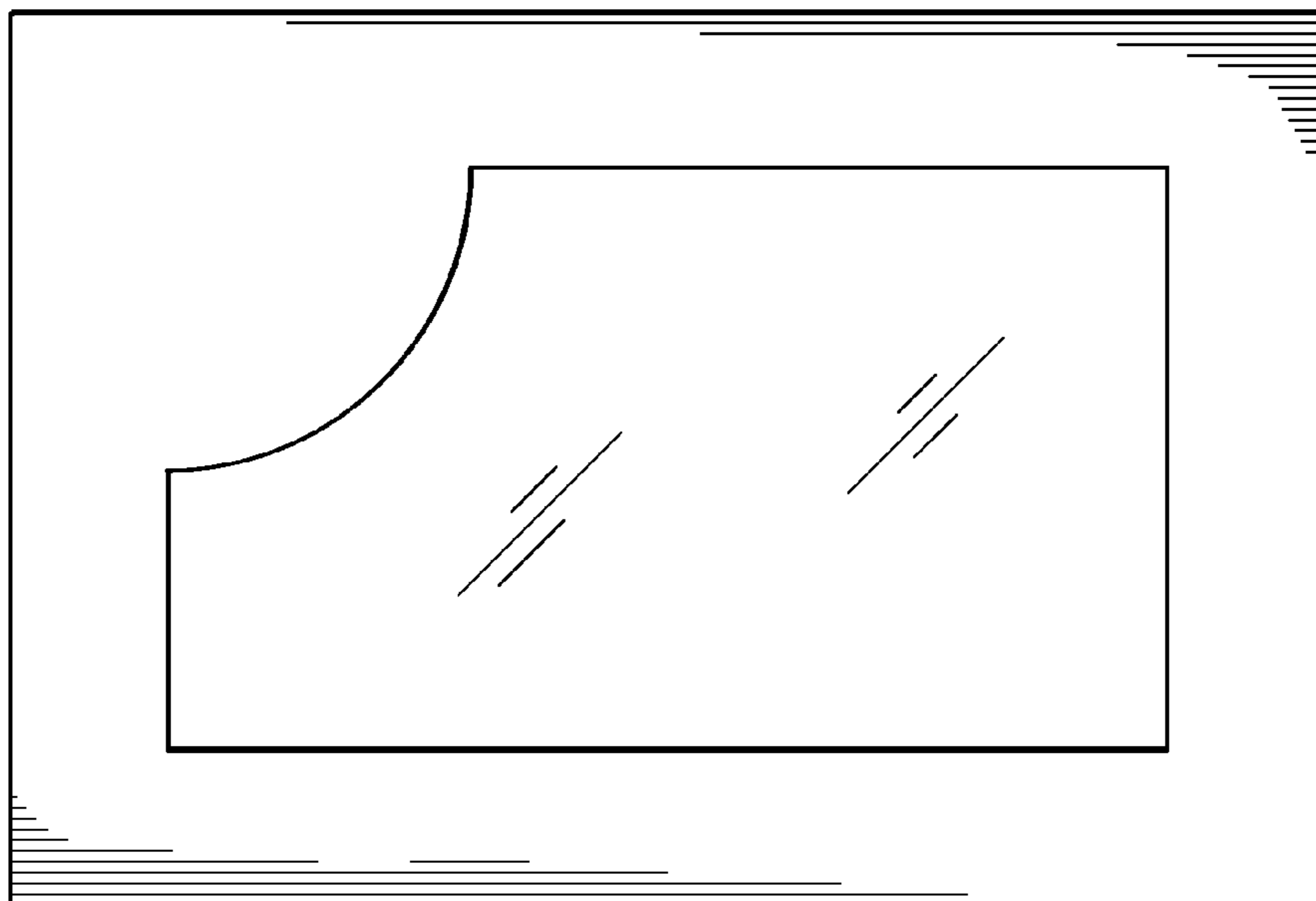


FIG. 6

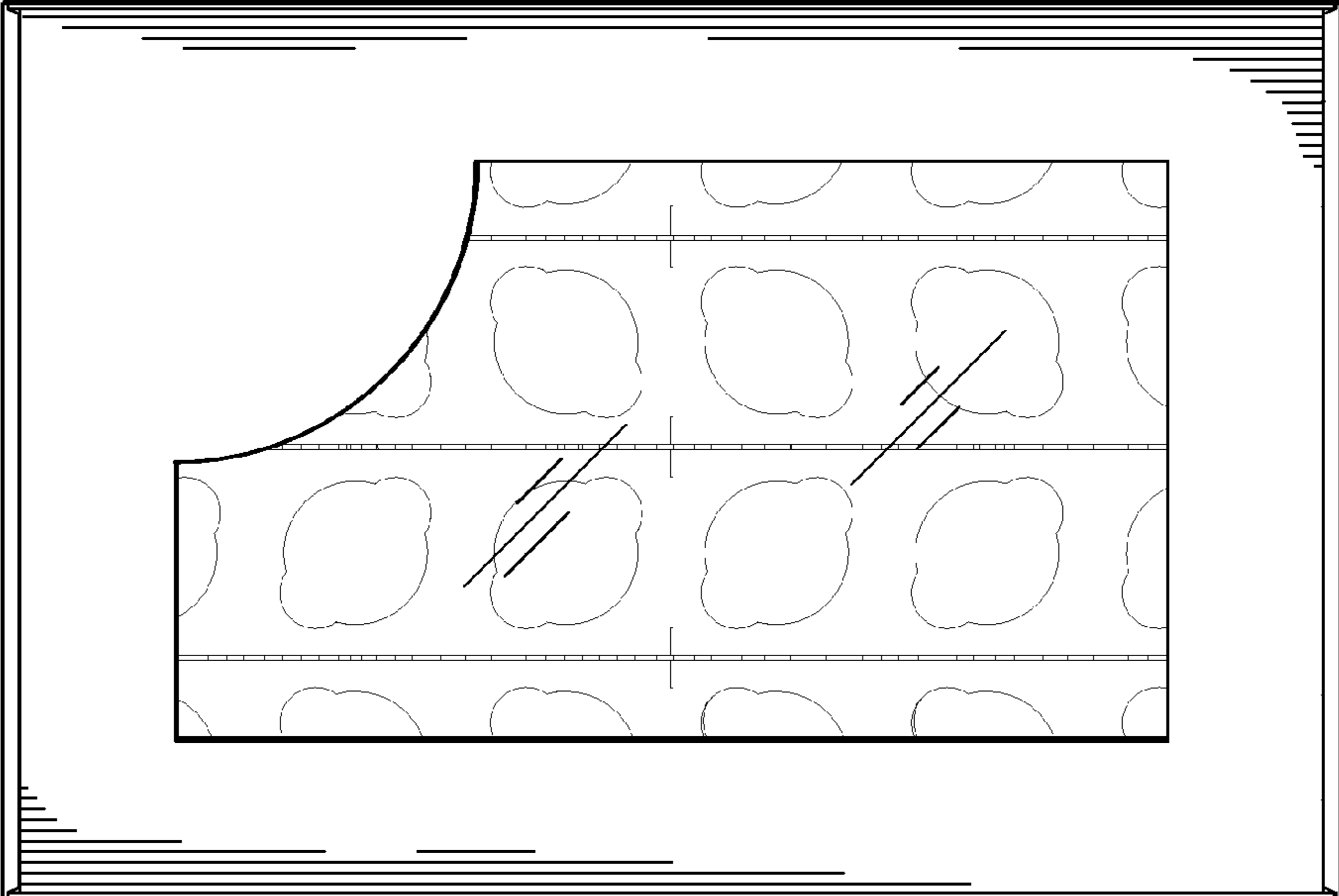


FIG. 8

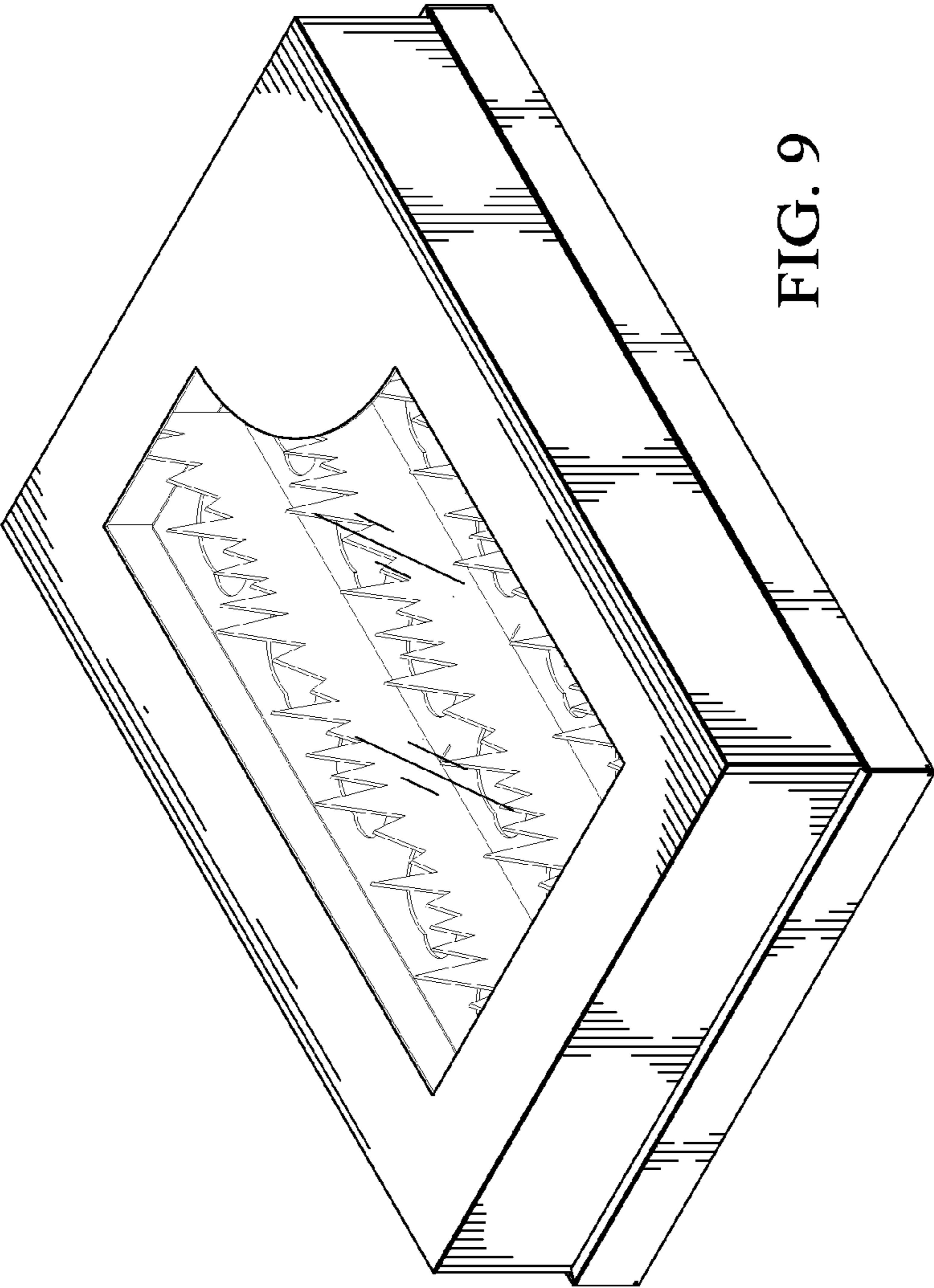


FIG. 9

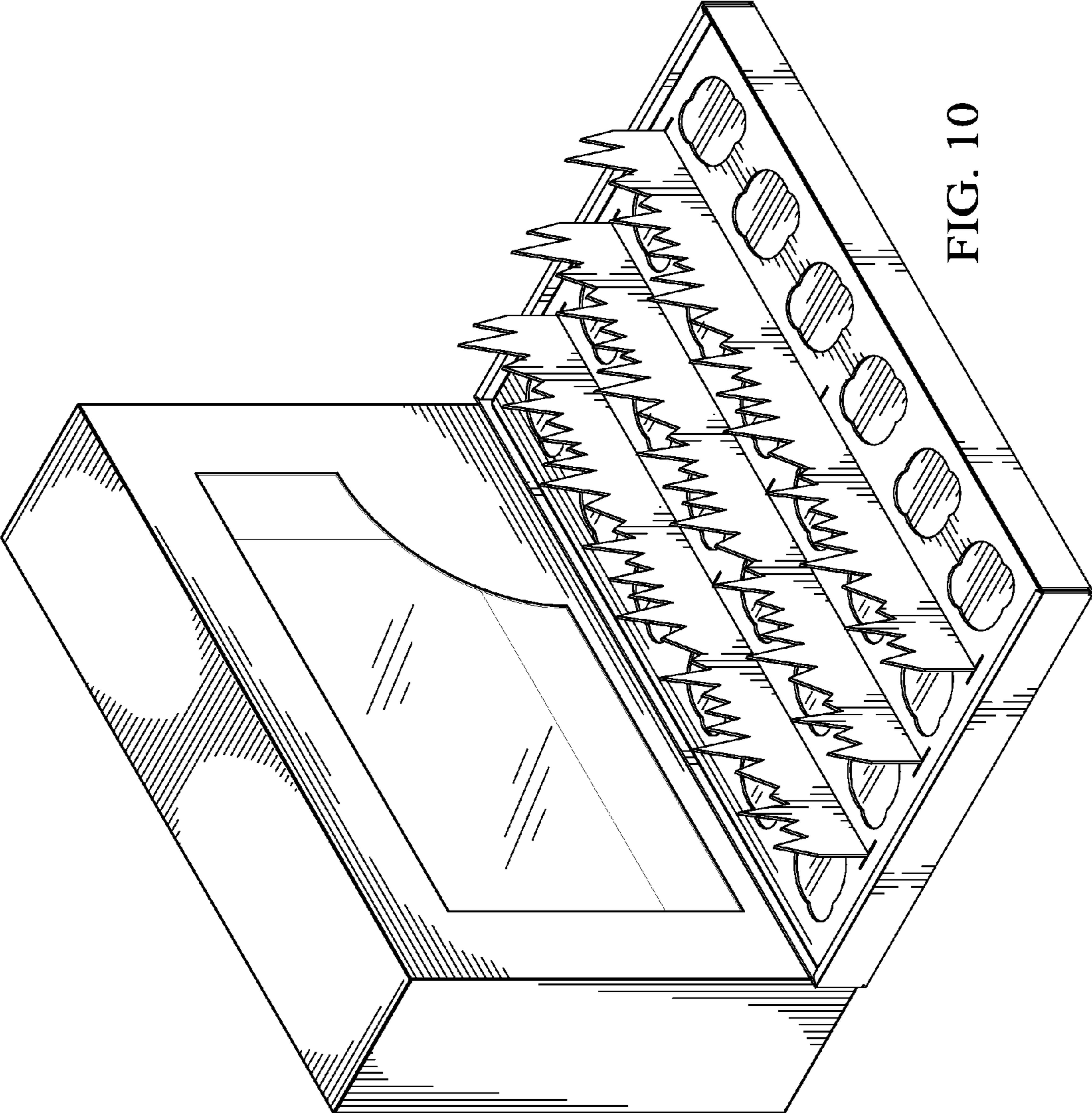


FIG. 10