



US00D698568S

(12) **United States Design Patent**
Chen

(10) **Patent No.:** **US D698,568 S**

(45) **Date of Patent:** **** Feb. 4, 2014**

(54) **MEDIA STAND**

(71) Applicant: **Jason Chen**, Marlton, NJ (US)

(72) Inventor: **Jason Chen**, Marlton, NJ (US)

(**) Term: **14 Years**

(21) Appl. No.: **29/459,283**

(22) Filed: **Jun. 27, 2013**

(51) **LOC (10) Cl.** **06-06**

(52) **U.S. Cl.**
USPC **D6/407**

(58) **Field of Classification Search**
USPC D6/407, 626-634; D19/26-27;
D14/478-479; 206/307, 307.1,
206/308.1-308.3, 309-313, 445, 387.15,
206/749-751; 312/9.1, 9.9, 9.48, 9.55,
312/9.64, 9.47, 53; D9/414-415, 418-420,
D9/422-426, 432-433

See application file for complete search history.

(56) **References Cited**

U.S. PATENT DOCUMENTS

D409,563 S *	5/1999	Haase et al.	D13/107
D430,142 S *	8/2000	Kuo et al.	D14/216
D467,238 S *	12/2002	Hlas et al.	D14/216
D521,865 S *	5/2006	Hicks et al.	D9/449

D525,583 S *	7/2006	Vu	D13/108
D539,144 S *	3/2007	Penfold et al.	D9/449
D554,108 S *	10/2007	Solland	D14/217
D567,584 S *	4/2008	Boozer et al.	D7/413
D570,836 S *	6/2008	Chen	D14/253
D588,913 S *	3/2009	Bakic	D9/435
D590,839 S *	4/2009	Lewis	D14/496
D593,882 S *	6/2009	Scalisi	D10/65
D605,514 S *	12/2009	Weber	D9/449
D628,203 S *	11/2010	Noble	D14/447
D640,248 S *	6/2011	Baumann et al.	D14/253
D661,989 S *	6/2012	Praster	D9/523

* cited by examiner

Primary Examiner — Kelley Donnelly

(57) **CLAIM**

The ornamental design for a media stand, as shown and described.

DESCRIPTION

FIG. 1 is a perspective view of a media stand showing my new design;

FIG. 2 is a front elevational view thereof;

FIG. 3 is a rear elevational view thereof;

FIG. 4 is a left elevational view thereof;

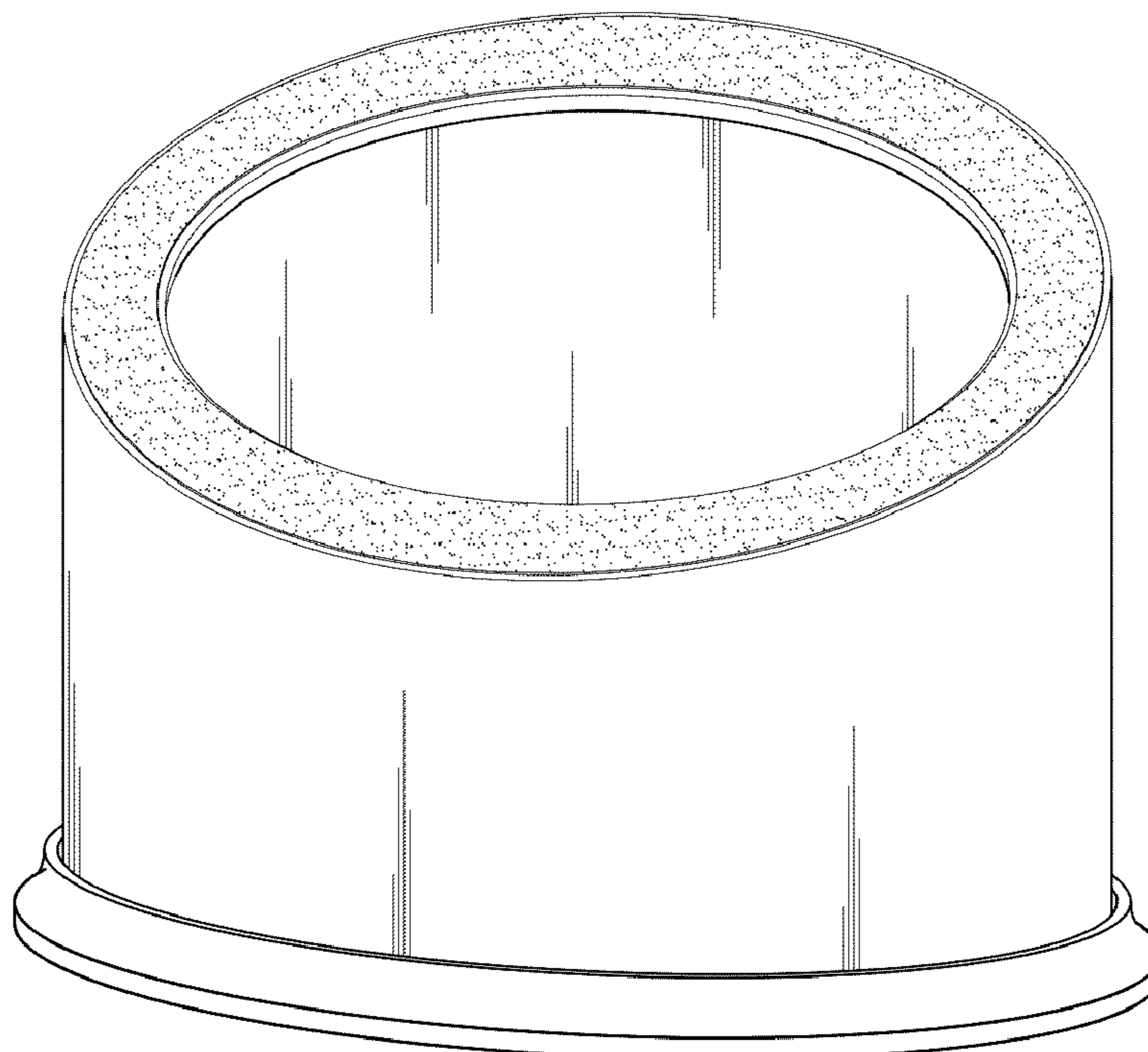
FIG. 5 is a right elevational view thereof;

FIG. 6 is a top view thereof; and,

FIG. 7 is a bottom view thereof.

The broken line portion of the drawings is included to show unclaimed subject matter only and forms no part of the claimed design.

1 Claim, 7 Drawing Sheets



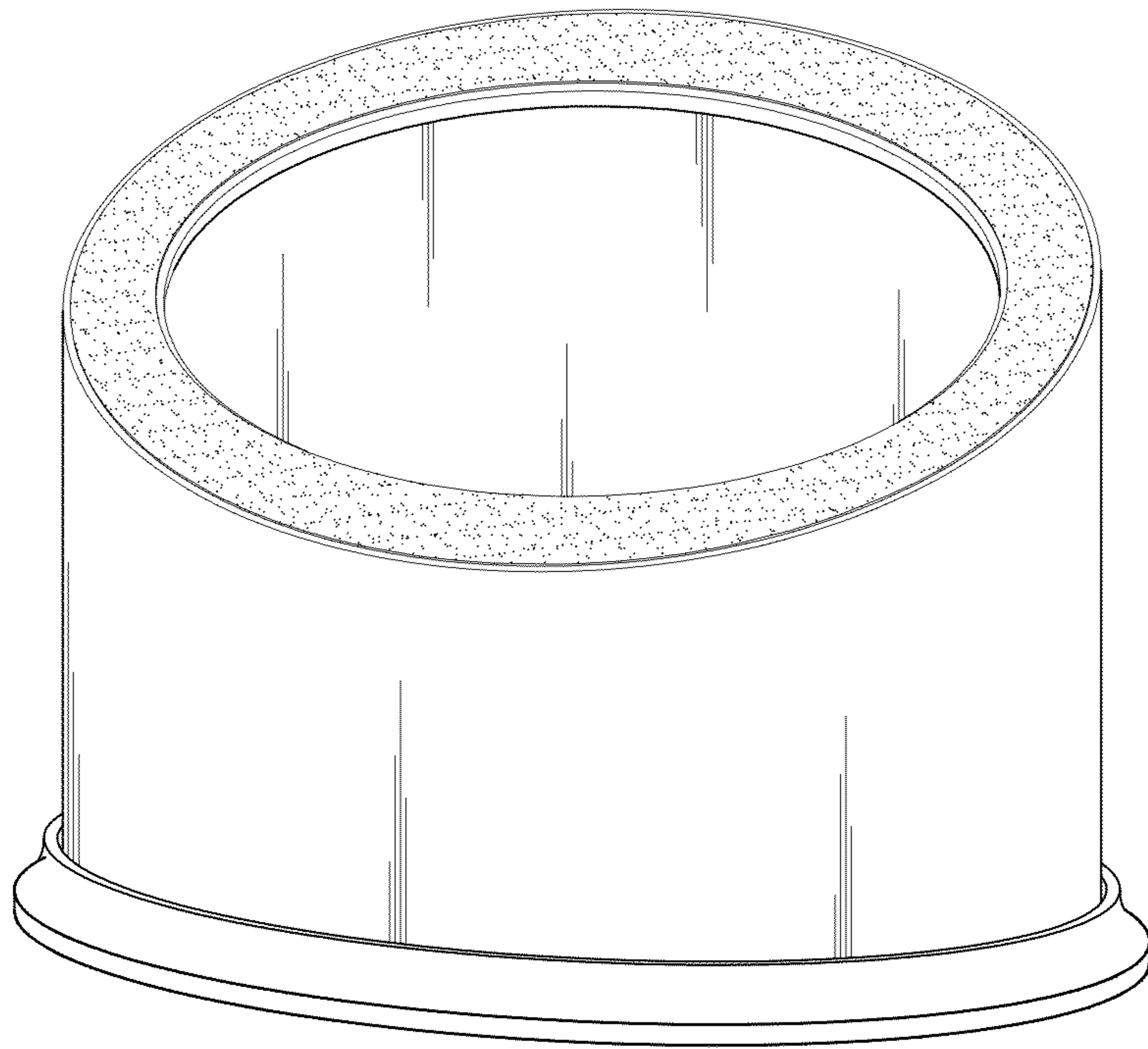


FIG. 1

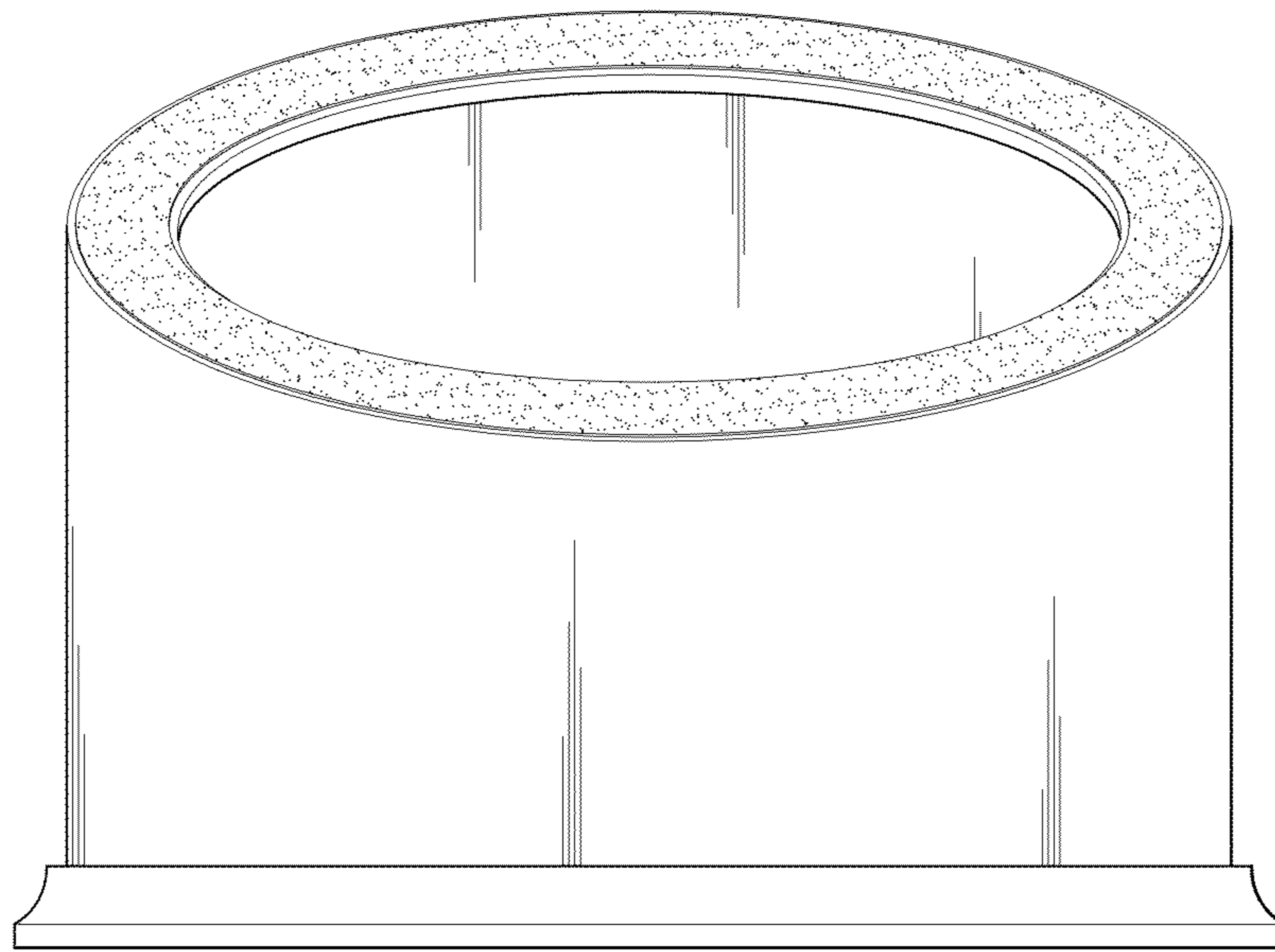


FIG. 2

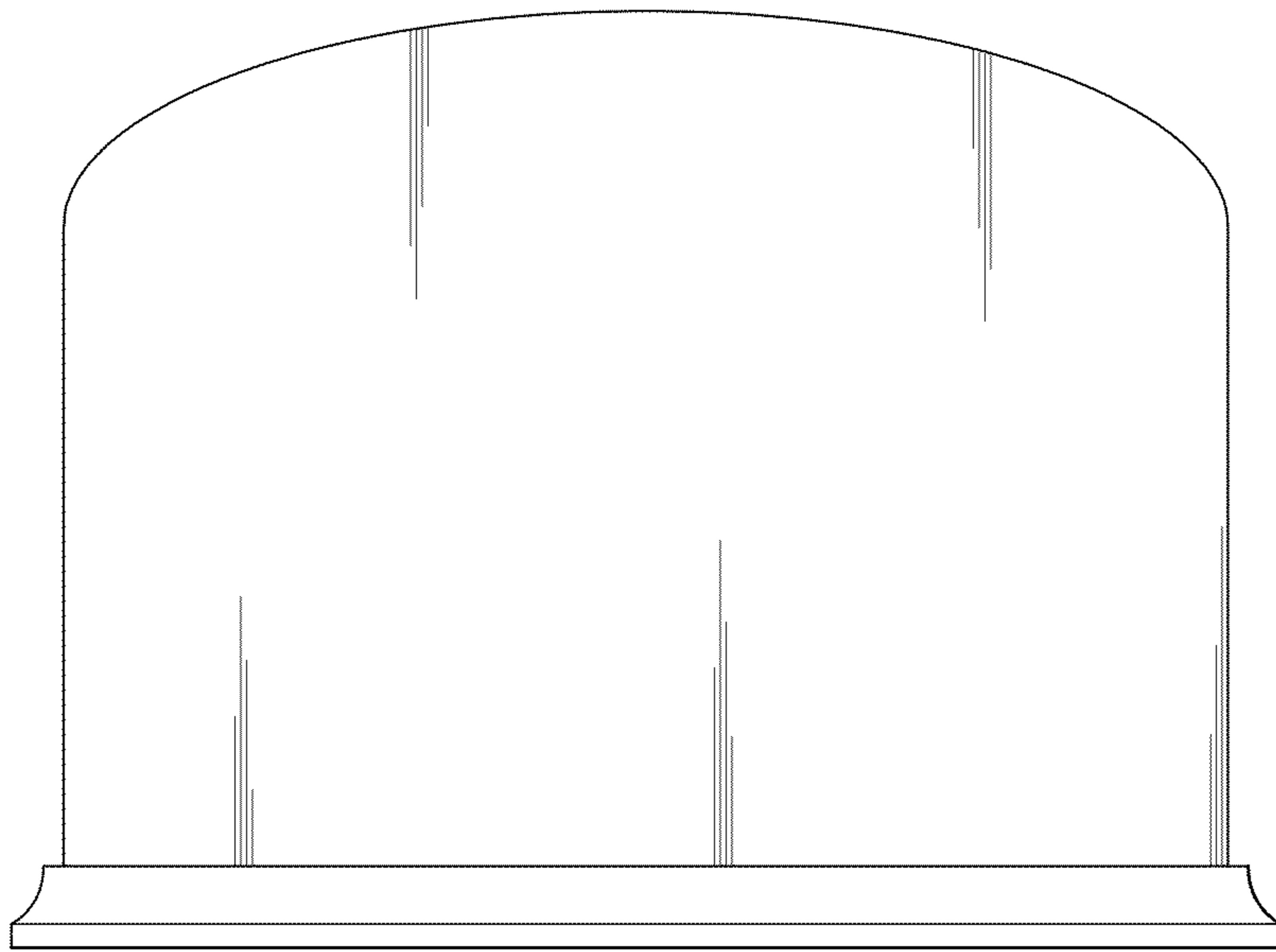


FIG. 3

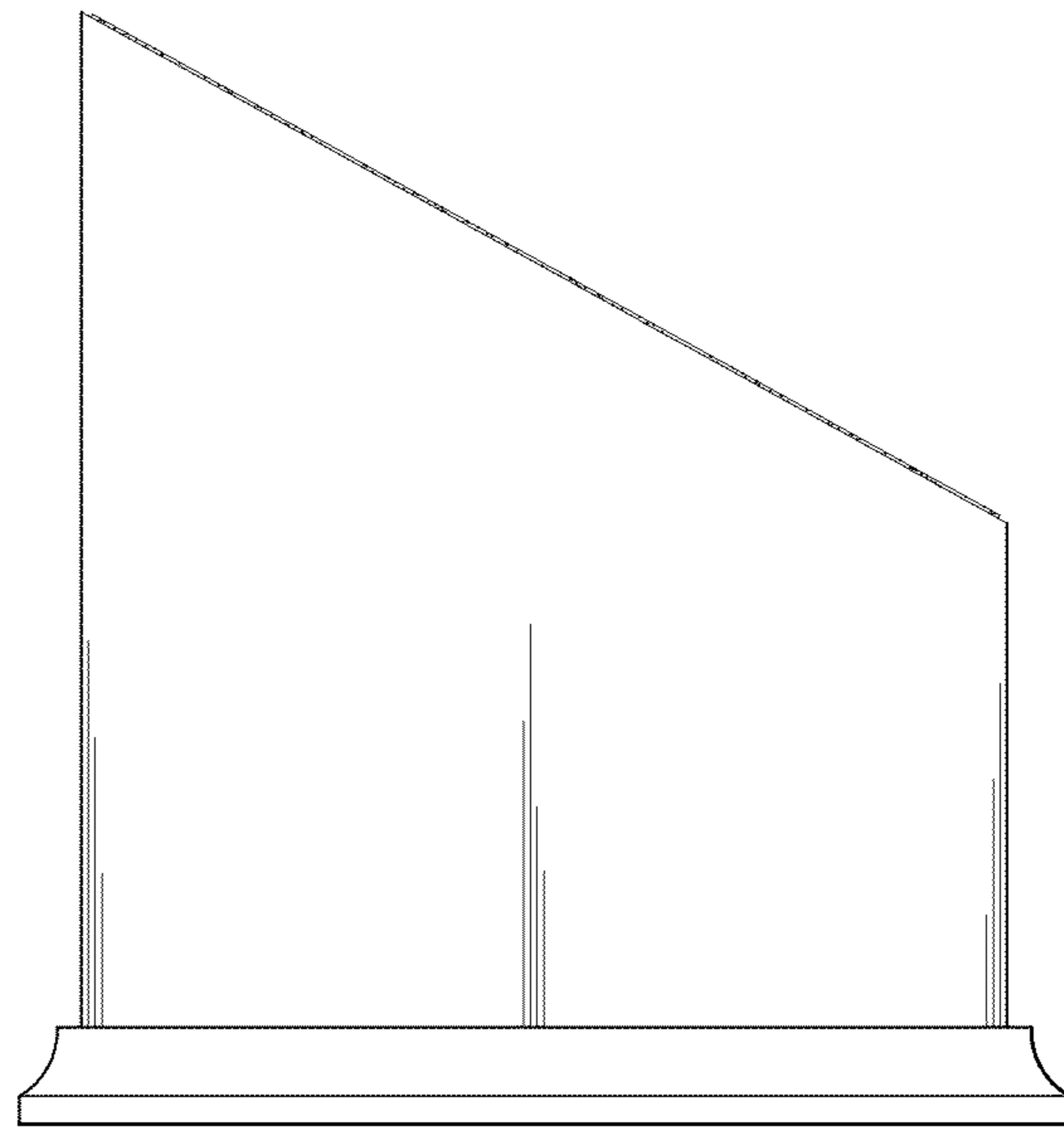


FIG. 4

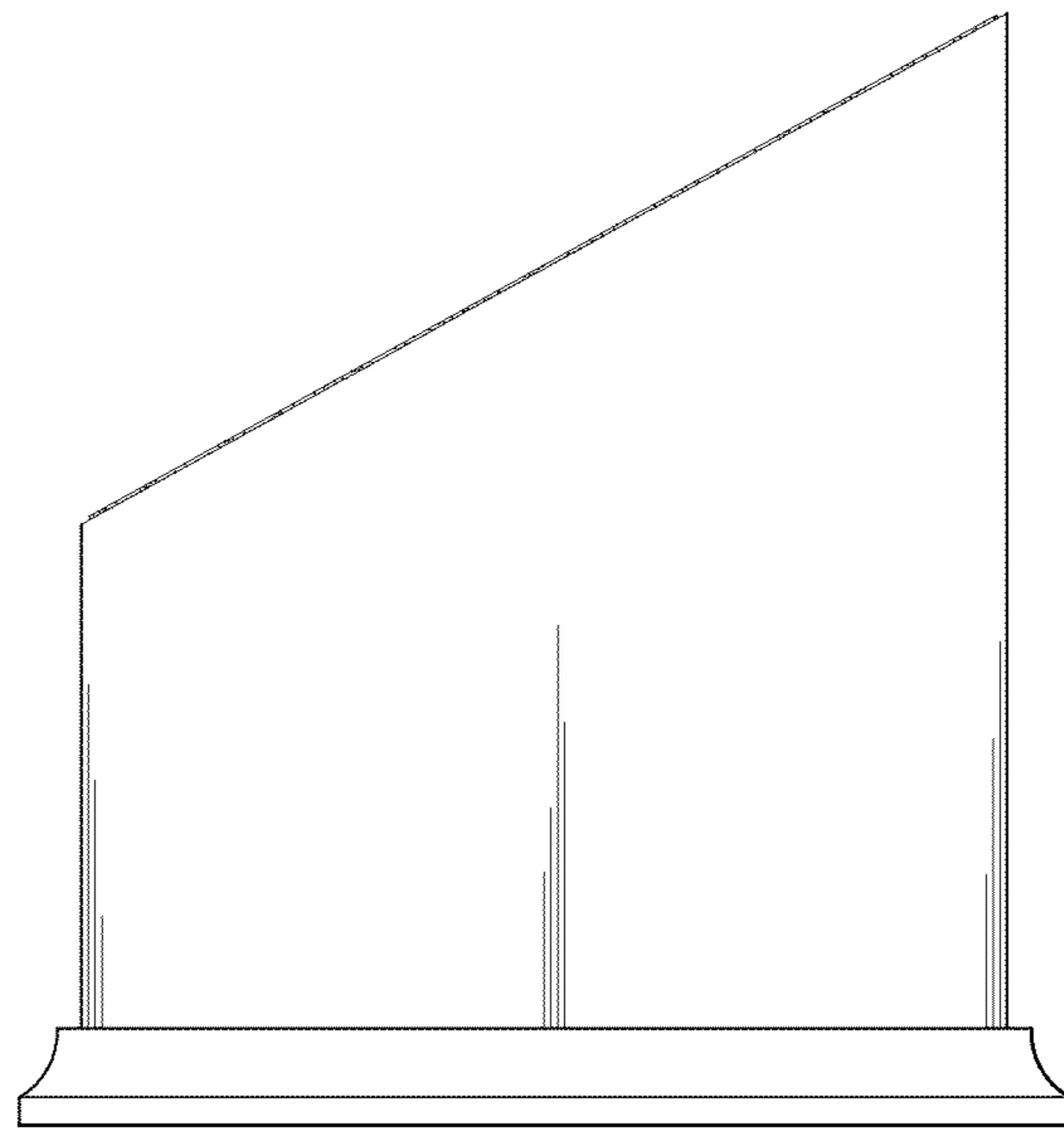


FIG. 5

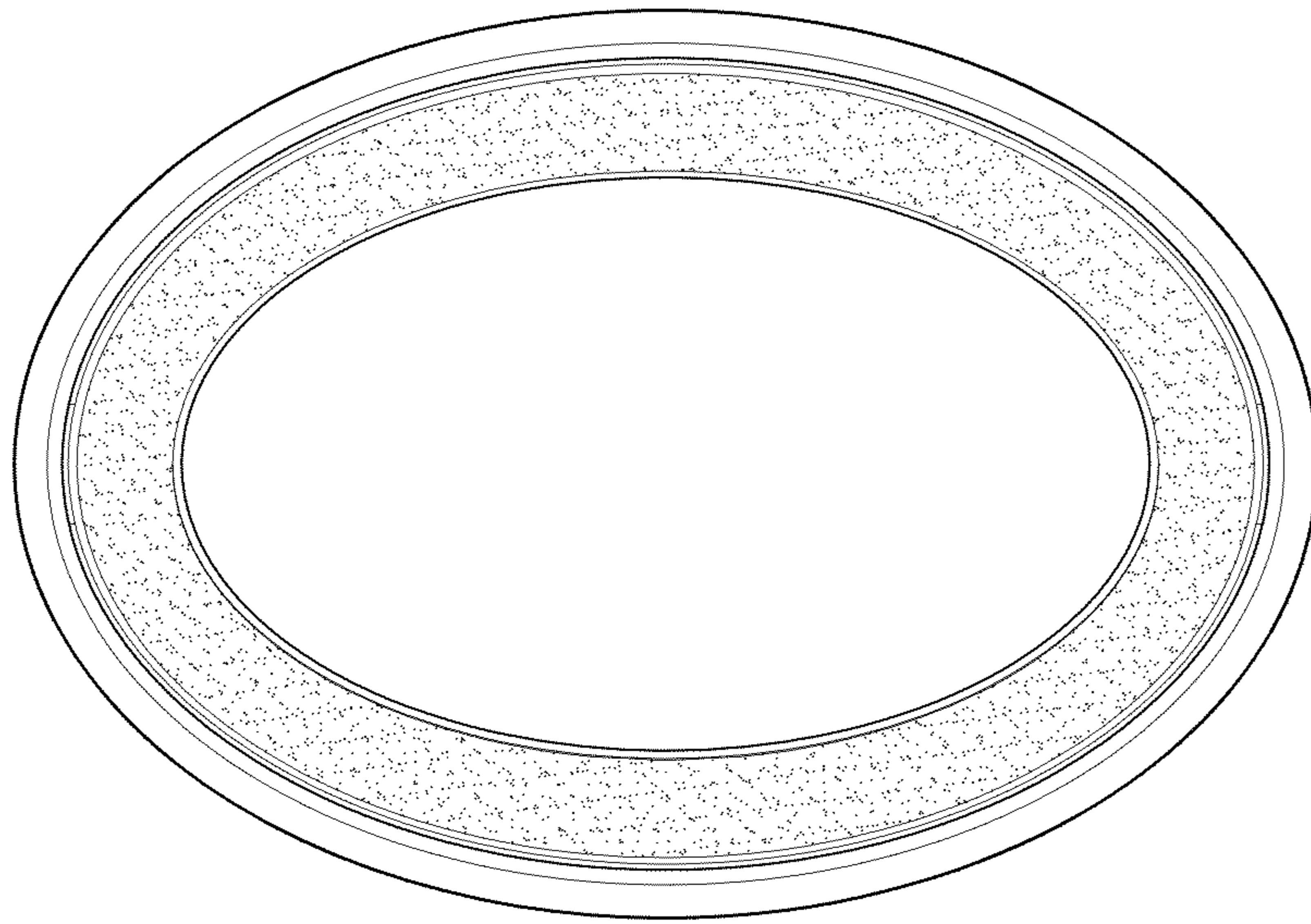


FIG. 6

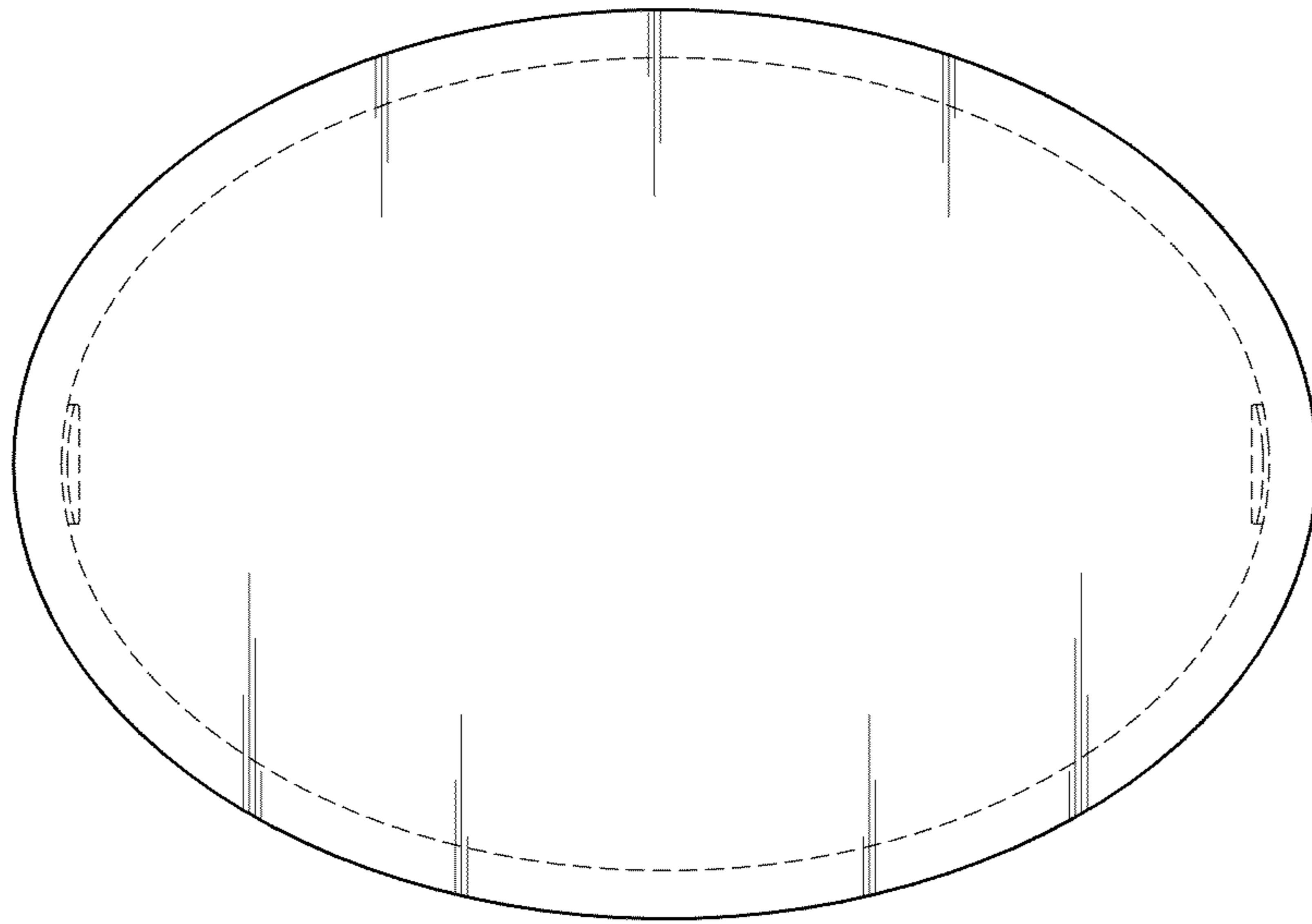


FIG. 7