

US00D698567S

(12) **United States Design Patent**  
**Chen**

(10) **Patent No.:** **US D698,567 S**

(45) **Date of Patent:** **\*\* Feb. 4, 2014**

(54) **MEDIA STAND**

(71) Applicant: **Jason Chen**, Marlton, NJ (US)

(72) Inventor: **Jason Chen**, Marlton, NJ (US)

(\*\*) Term: **14 Years**

(21) Appl. No.: **29/459,281**

(22) Filed: **Jun. 27, 2013**

(51) **LOC (10) Cl.** ..... **06-06**

(52) **U.S. Cl.**  
USPC ..... **D6/407**

(58) **Field of Classification Search**  
USPC ..... D6/407, 626–634; D19/26–27;  
D14/478–479; 206/307, 307.1,  
206/308.1–308.3, 309–313, 445, 387.15,  
206/749–751; 312/9.1, 9.9, 9.48, 9.55,  
312/9.64, 9.47, 53; D9/414–415, 418–420,  
D9/422–426, 432–433

See application file for complete search history.

(56) **References Cited**

**U.S. PATENT DOCUMENTS**

D379,131 S *	5/1997	Ohta	.....	D6/635
D379,897 S *	6/1997	Huang	.....	D6/632
D389,000 S *	1/1998	Etingin	.....	D6/632
D394,383 S *	5/1998	Bradfield	.....	D9/416
D410,904 S *	6/1999	Fenner et al.	.....	D14/364
5,971,164 A *	10/1999	Wong	.....	211/40
D438,047 S *	2/2001	Chavez	.....	D6/628
6,392,543 B2 *	5/2002	Maloney	.....	340/568.1
D461,120 S *	8/2002	Ostro	.....	D9/759
D554,707 S *	11/2007	Hussaini et al.	.....	D21/333
7,431,163 B2 *	10/2008	Andersen	.....	206/736

D583,660 S *	12/2008	Steiger et al.	.....	D9/432
D607,209 S *	1/2010	Boggi et al.	.....	D3/295
D631,649 S *	2/2011	Patenaude	.....	D3/203.1
D635,024 S *	3/2011	Stolle	.....	D9/449
D646,059 S *	10/2011	Park	.....	D3/289
D661,556 S *	6/2012	Warner	.....	D7/708
D661,919 S *	6/2012	Hester	.....	D6/407
D663,118 S *	7/2012	Zalewski et al.	.....	D3/273
D674,620 S *	1/2013	Petrick et al.	.....	D6/407
D688,460 S *	8/2013	Schmidt et al.	.....	D3/304

\* cited by examiner

*Primary Examiner* — Kelley Donnelly

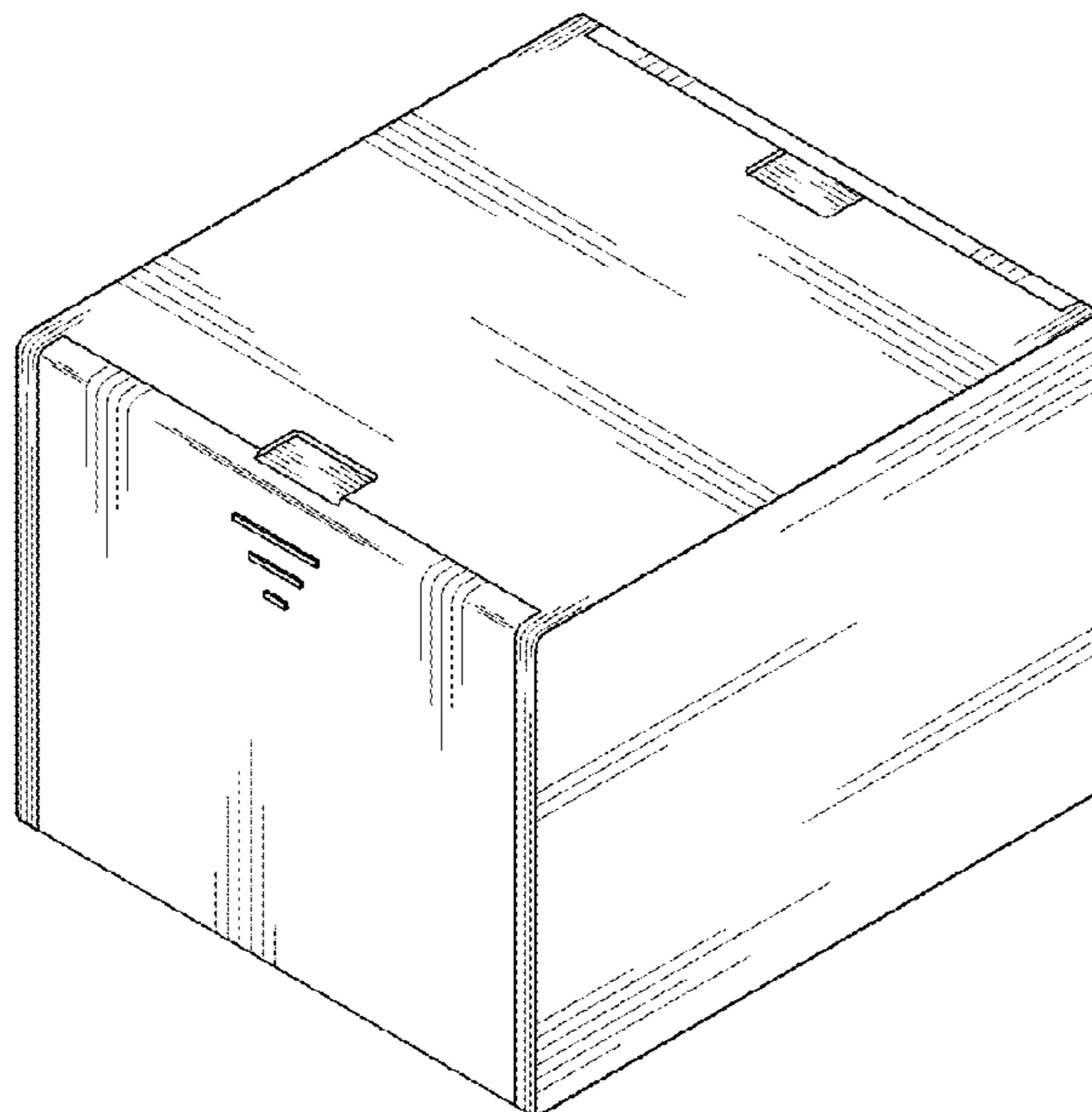
(57) **CLAIM**

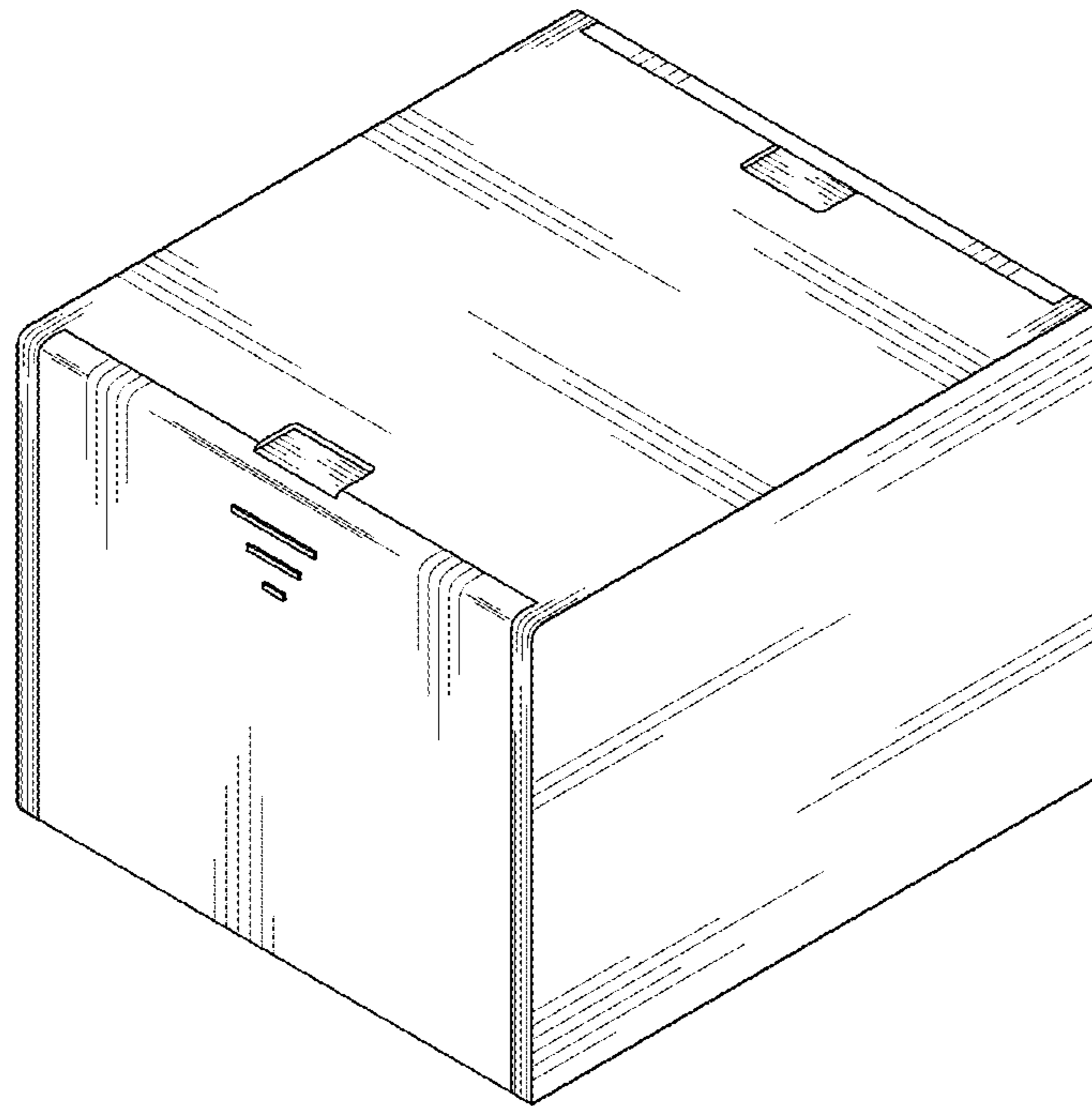
The ornamental design for a media stand, as shown and described.

**DESCRIPTION**

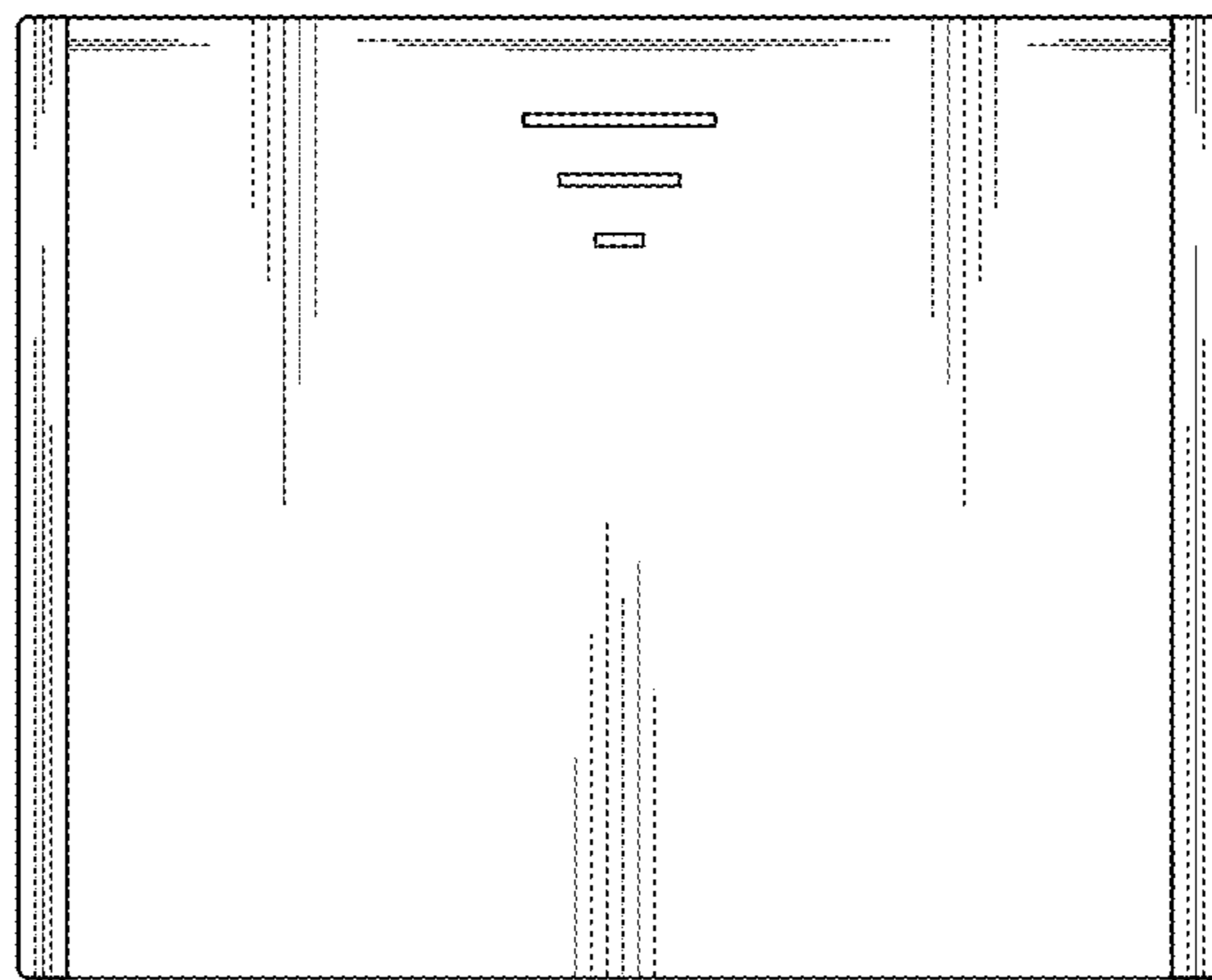
FIG. 1 is a perspective view of a media stand showing my new design;  
 FIG. 2 is a front elevational view thereof;  
 FIG. 3 is a rear elevational view thereof;  
 FIG. 4 is a left elevational view thereof;  
 FIG. 5 is a right elevational view thereof;  
 FIG. 6 is a top view thereof;  
 FIG. 7 is a bottom view thereof;  
 FIG. 8 is a perspective view of the media stand viewed from another direction;  
 FIG. 9 is a perspective view of the media stand showing a state of use thereof; and,  
 FIG. 10 is a perspective view of the media stand showing an object placed thereon.

**1 Claim, 10 Drawing Sheets**

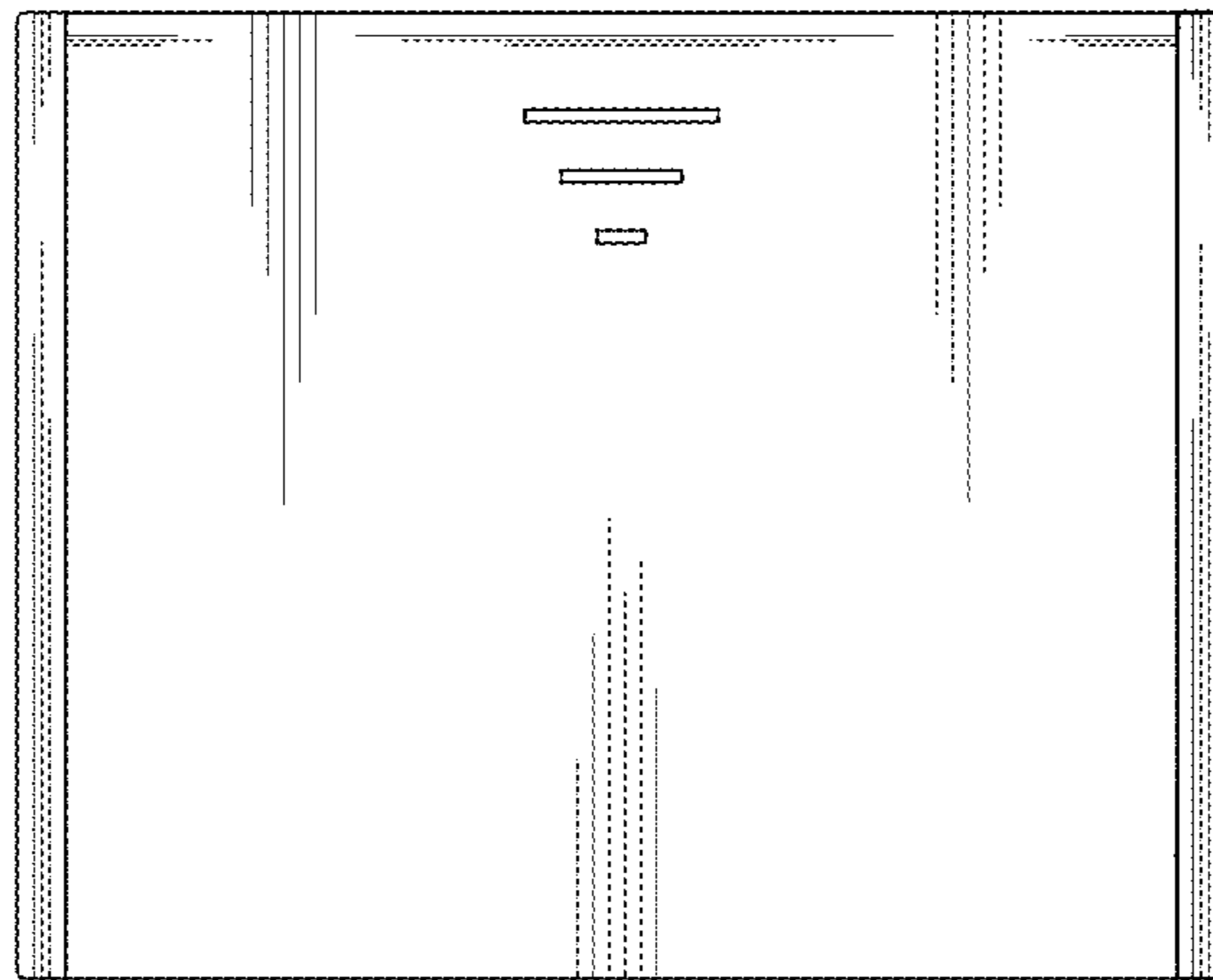




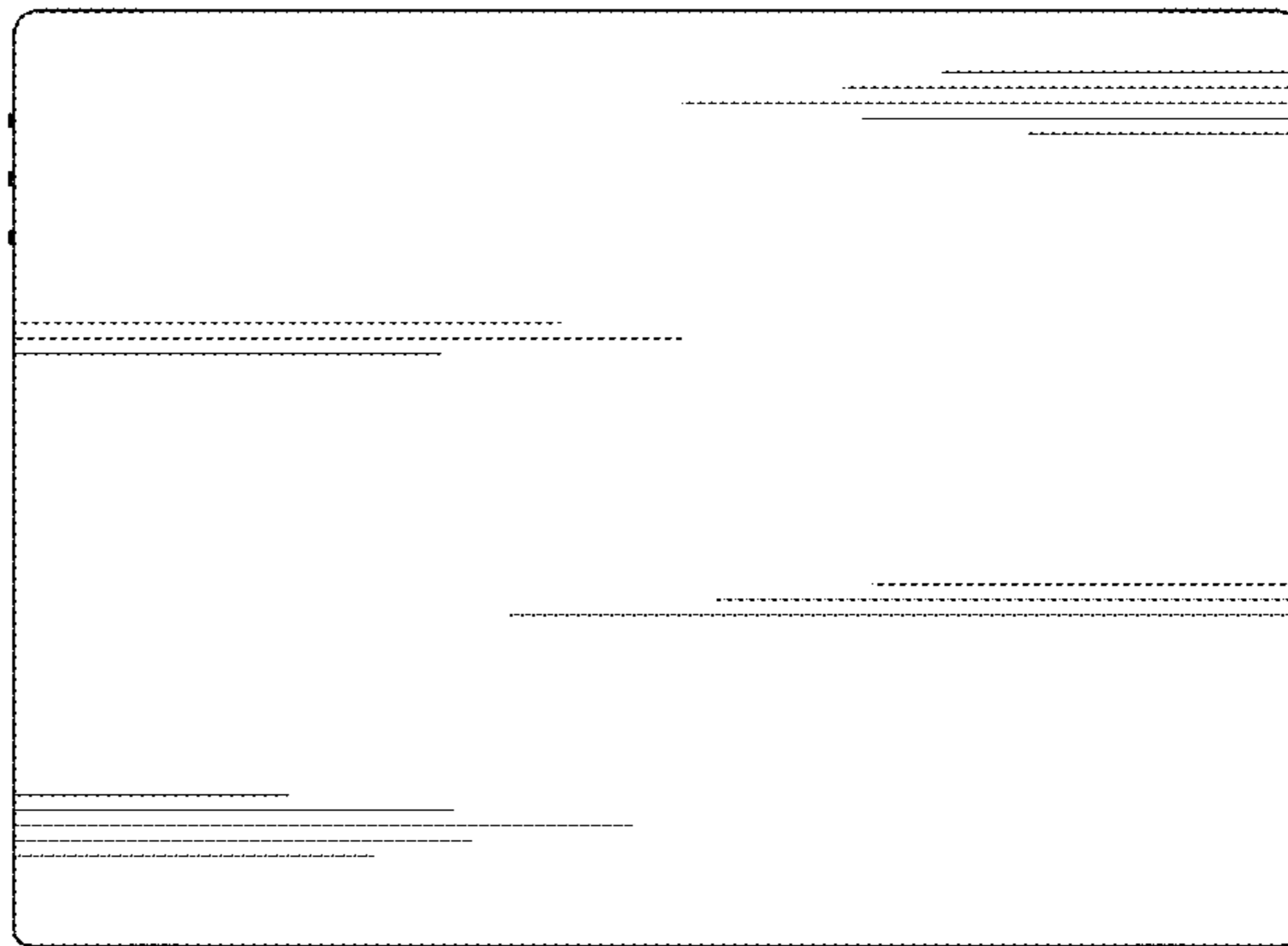
**FIG. 1**



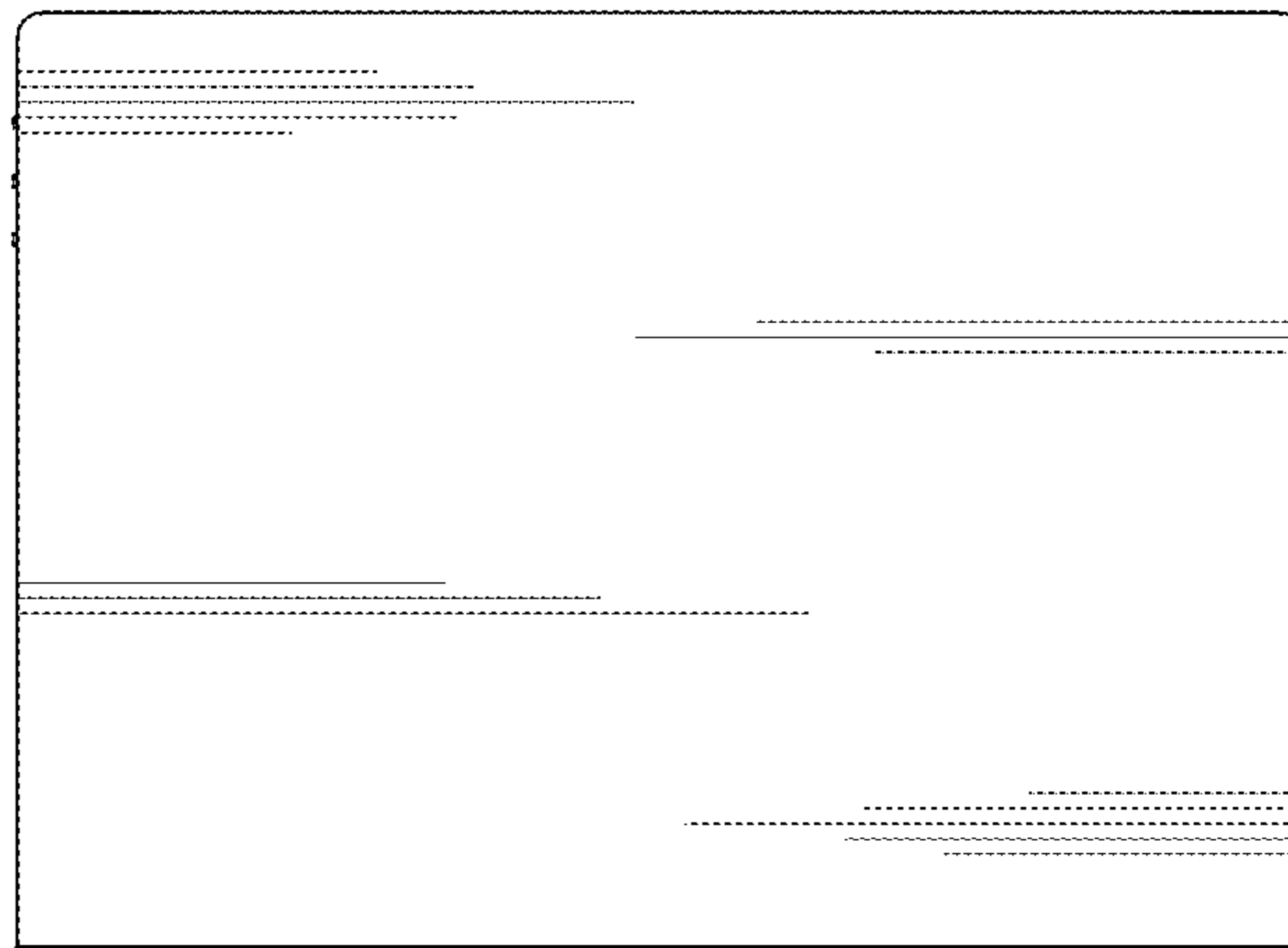
**FIG. 2**



**FIG. 3**



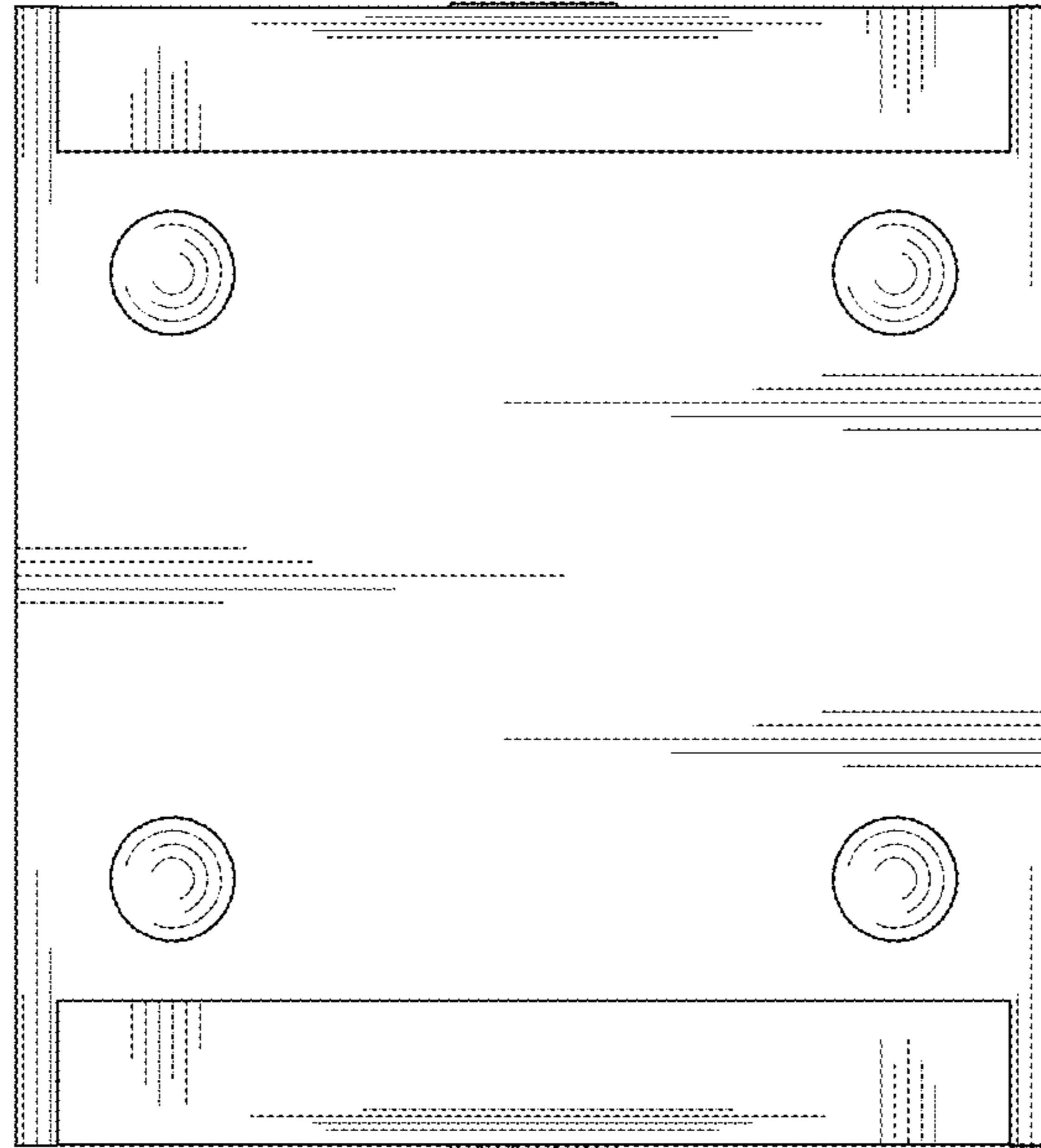
**FIG. 4**



**FIG. 5**

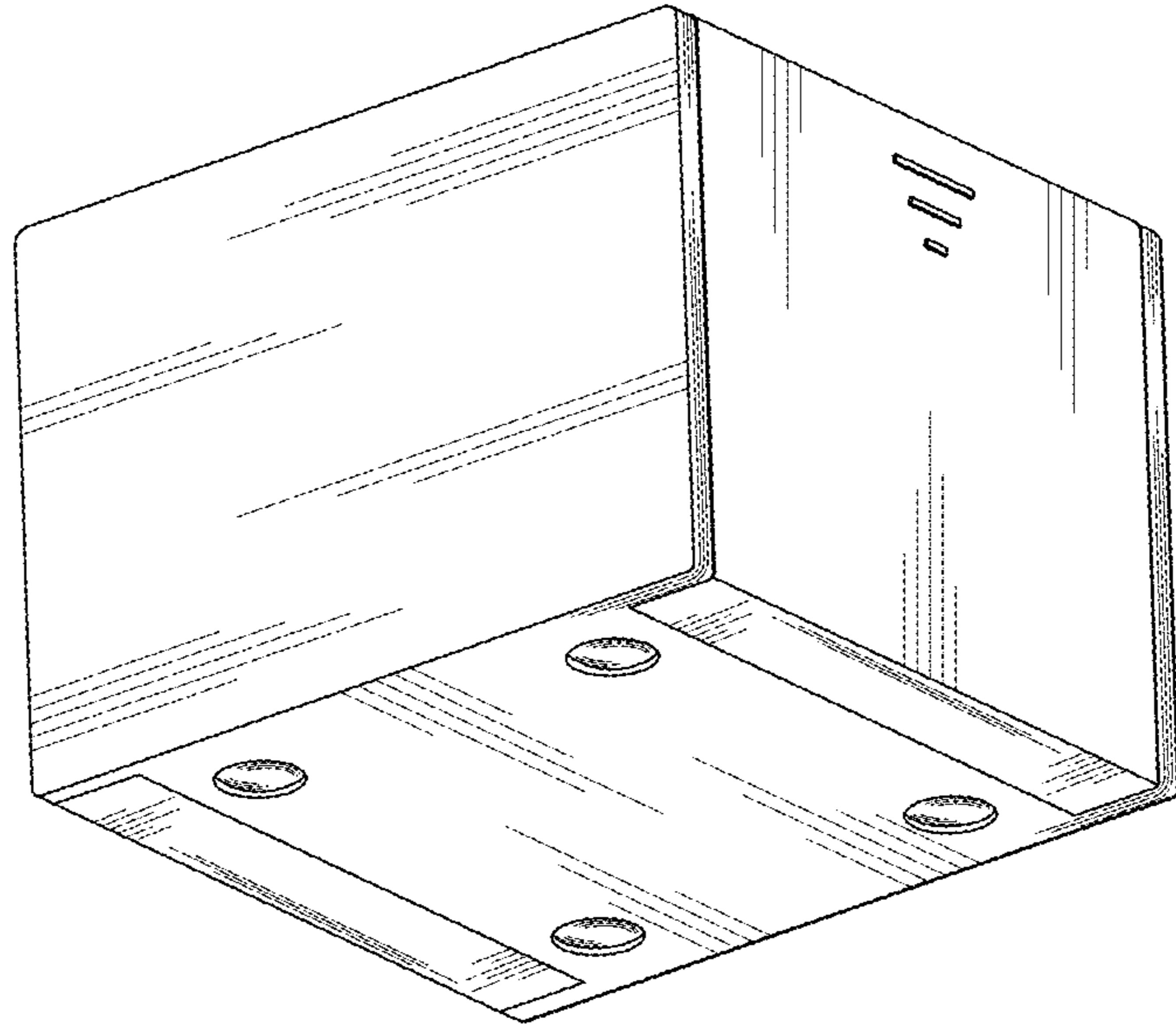


FIG. 6

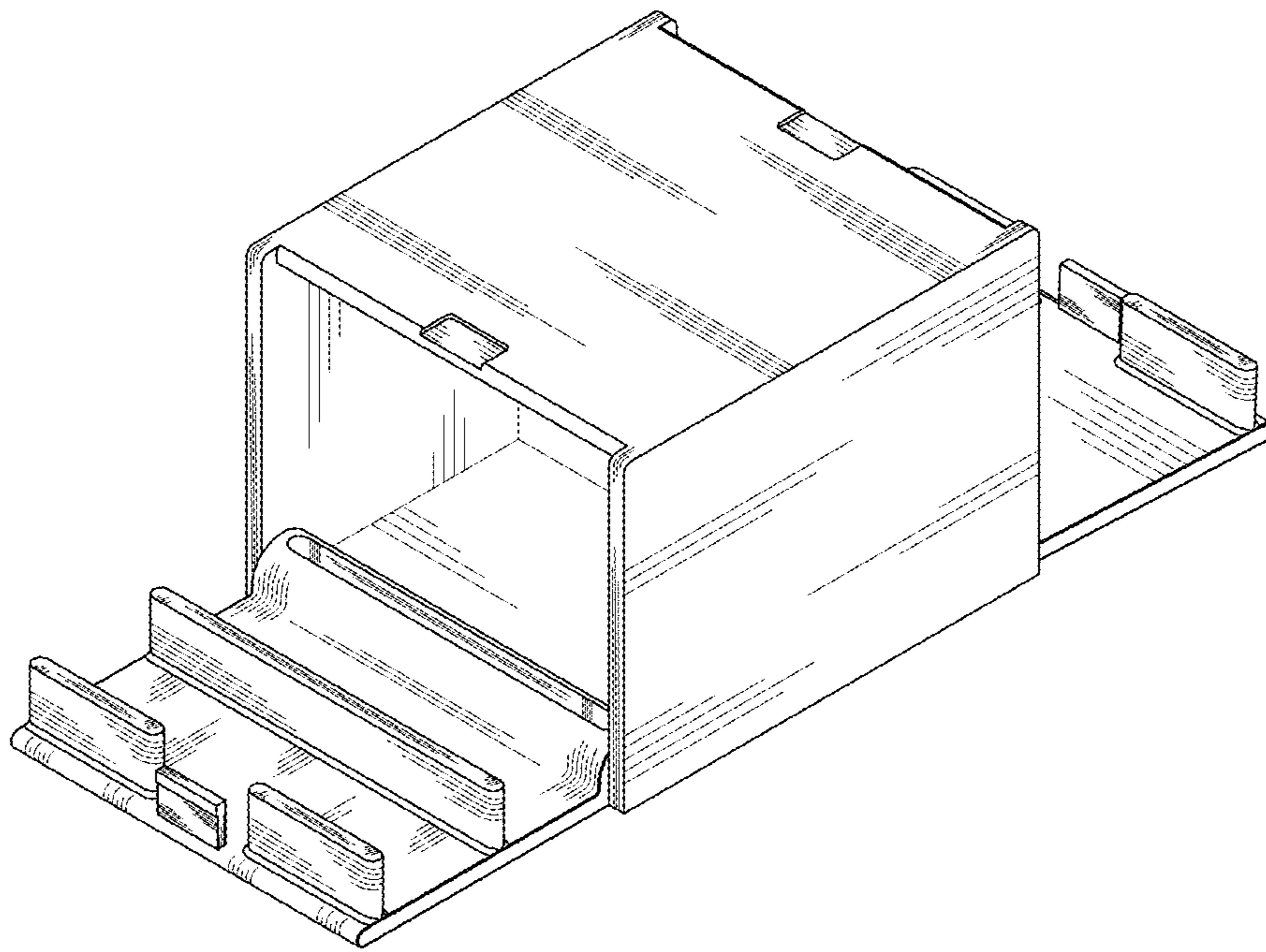


**FIG. 7**

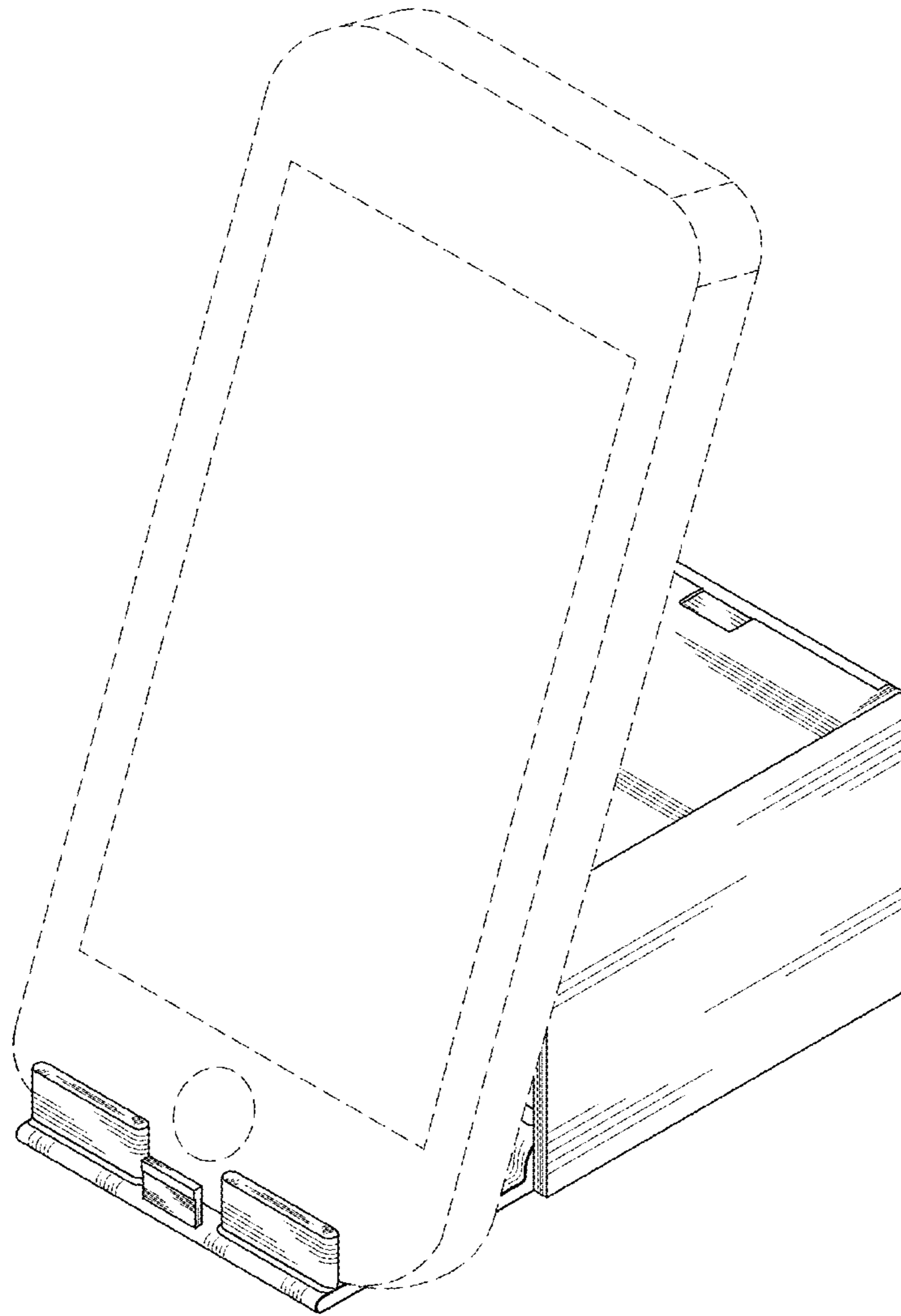




**FIG. 8**



**FIG. 9**



**FIG. 10**