



US00D698566S

(12) **United States Design Patent**
Cute

(10) **Patent No.:** **US D698,566 S**

(45) **Date of Patent:** **** Feb. 4, 2014**

(54) **DECORATIVE POT HOLDER**

(56) **References Cited**

(71) Applicant: **Sun Hill Industries, Inc.**, Fairfield, CA
(US)

U.S. PATENT DOCUMENTS

(72) Inventor: **Joseph E. Cute**, Geneva, IL (US)

D36,086 S *	9/1902	Olsen	D6/403
D63,046 S *	9/1923	Stuck	D6/403
D71,575 S *	12/1926	Cartwright	D6/403
D204,006 S *	3/1966	Reed	D6/403
D250,686 S *	1/1979	Ashcraft	D6/458
D415,366 S *	10/1999	Walters-Dowding et al. .	D6/403
D434,247 S *	11/2000	Rosenberg	D6/403
D497,494 S *	10/2004	Tseng	D6/403
D589,719 S *	4/2009	Cute	D6/404
D589,720 S *	4/2009	Cute	D6/404
D630,451 S *	1/2011	Cute	D6/405
D632,505 S *	2/2011	Yeh	D6/403
D658,906 S *	5/2012	Cute	D6/403

(73) Assignee: **Sun Hill Industries, Inc.**, Fairfield, CA
(US)

(**) Term: **14 Years**

(21) Appl. No.: **29/464,036**

(22) Filed: **Aug. 12, 2013**

* cited by examiner

Related U.S. Application Data

Primary Examiner — Garth Rademaker

(62) Division of application No. 29/433,402, filed on Sep. 28, 2012.

(74) *Attorney, Agent, or Firm* — Riverside Law LLP

(51) **LOC (10) Cl.** **11-02**

(57) **CLAIM**

I claim the ornamental design for a decorative pot holder, as shown and described.

(52) **U.S. Cl.**

DESCRIPTION

USPC **D6/403**

(58) **Field of Classification Search**

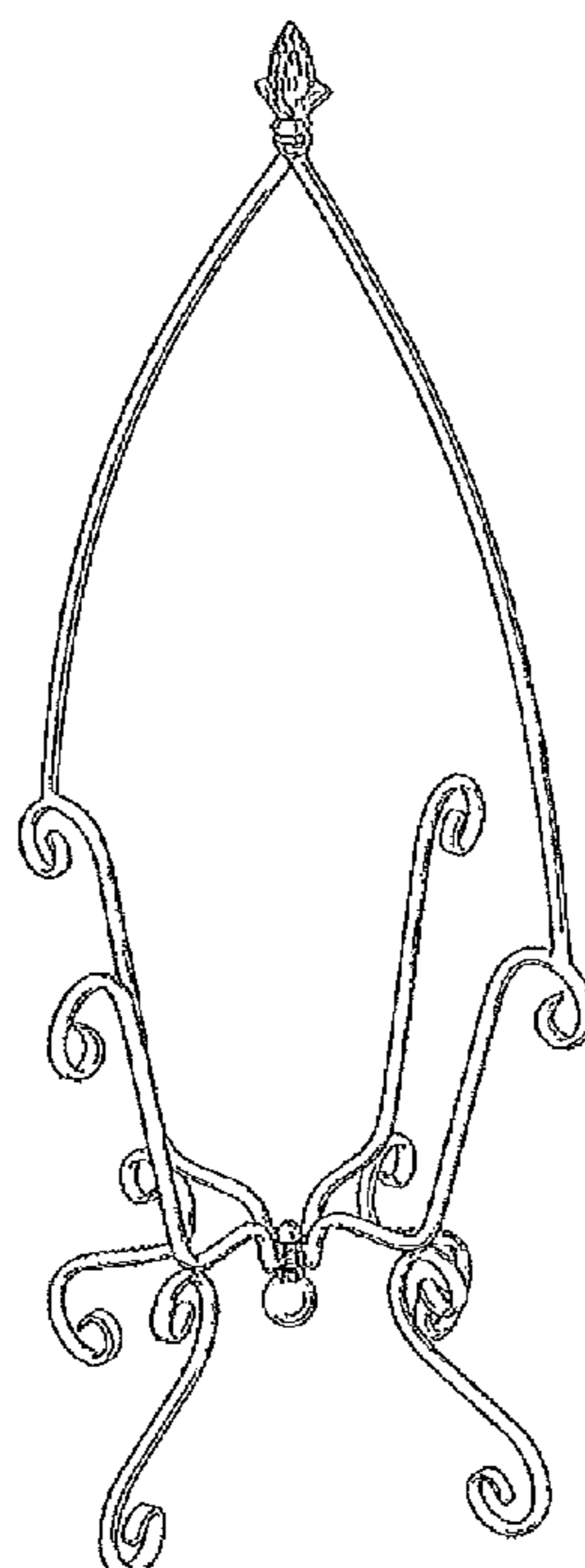
USPC D6/403-405, 556-558; D8/1; D11/143-156, 164; D19/77, 80, 81, D19/84; D25/100; D26/9-11, 16, 19; D34/1, 2, 4-6; D99/5, 19; 47/17, 32.4, 47/32.5, 32.7, 33, 39, 41.01, 41.1, 47/41.11-41.15, 44-47, 65, 65.5, 65.9, 47/66.1, 66.2, 66.6, 66.7, 67-71

FIG. 1 is a perspective view of a decorative pot holder;
FIG. 2 is a front view thereof;
FIG. 3 is a rear view thereof;
FIG. 4 is a right side view thereof;
FIG. 5 is a left side view thereof;
FIG. 6 is a top view thereof;
FIG. 7 is a bottom view thereof; and,
FIG. 8 is a perspective view thereof, shown in an environment of use.

The broken lines depict environmental subject matter only and form no part of the claimed design.

See application file for complete search history.

1 Claim, 5 Drawing Sheets



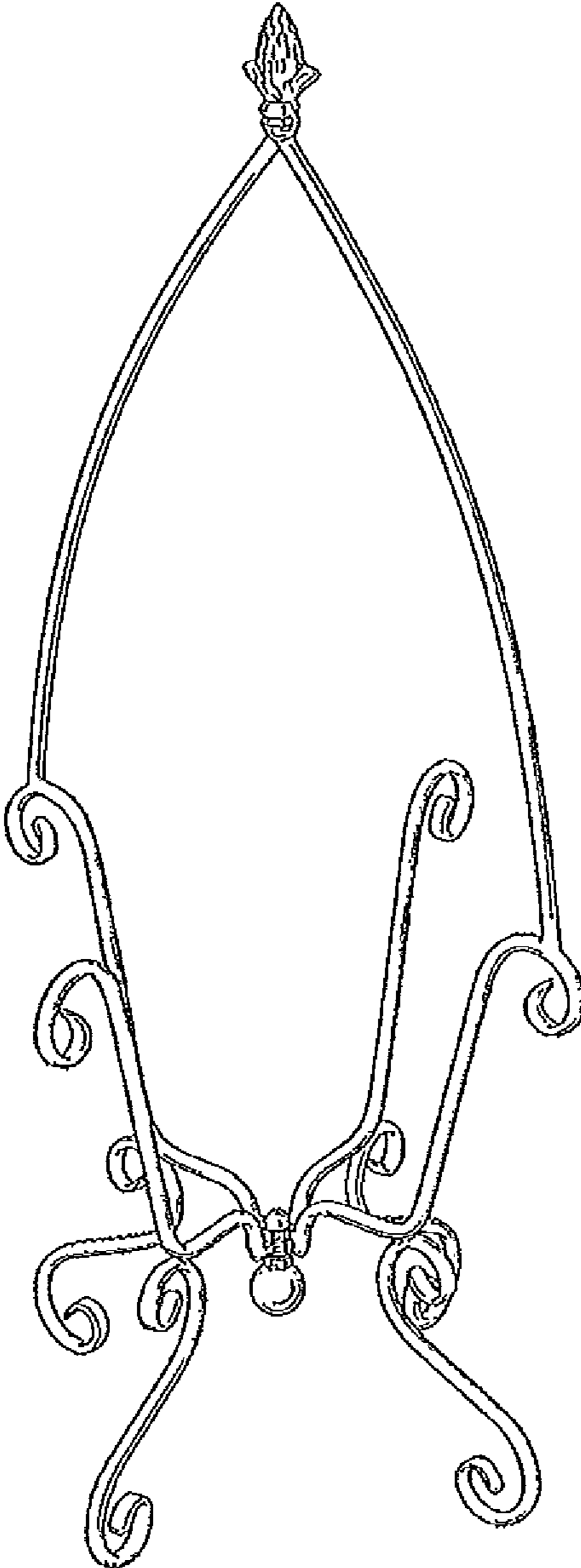


FIG. 1

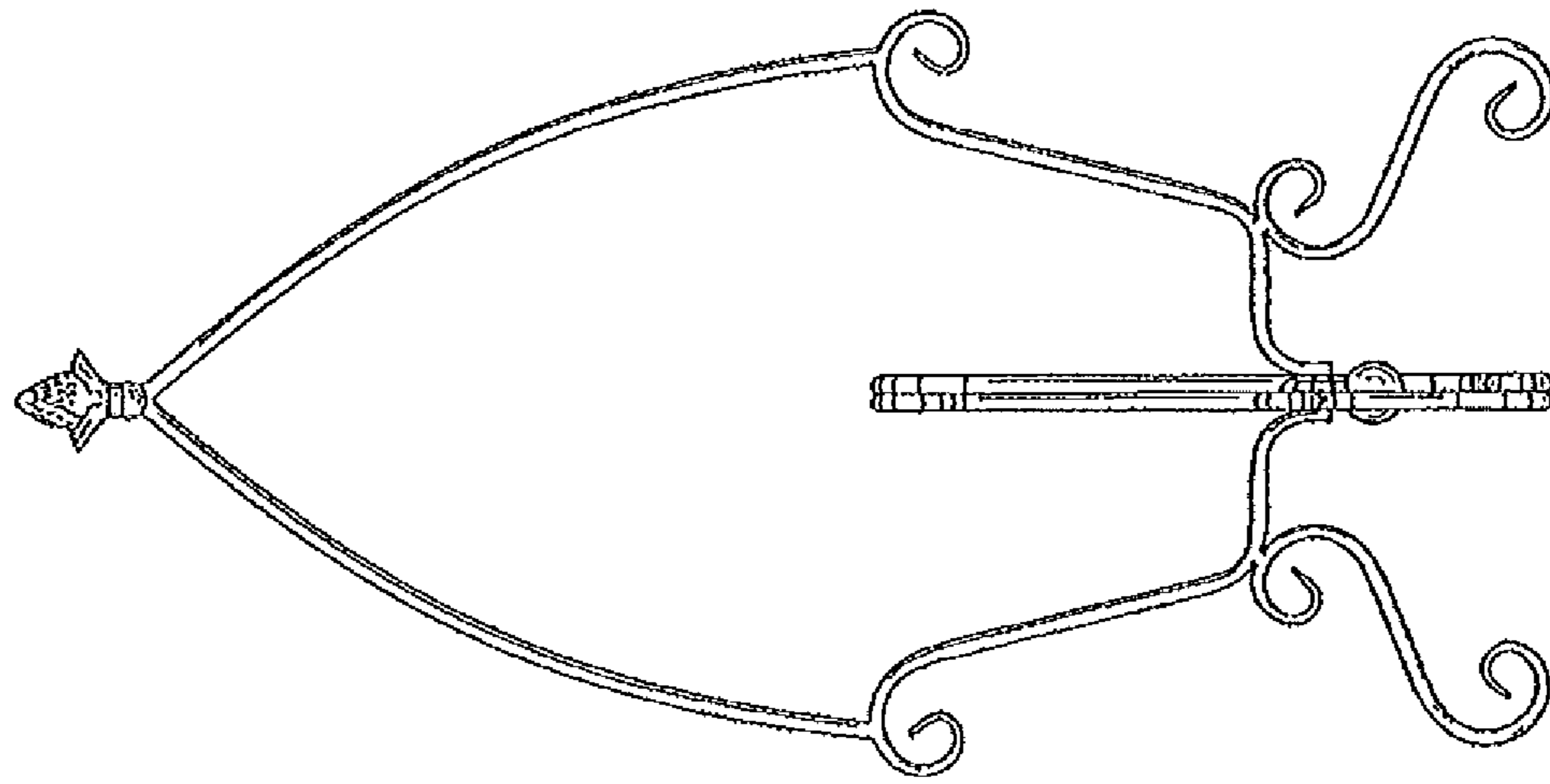


FIG. 3

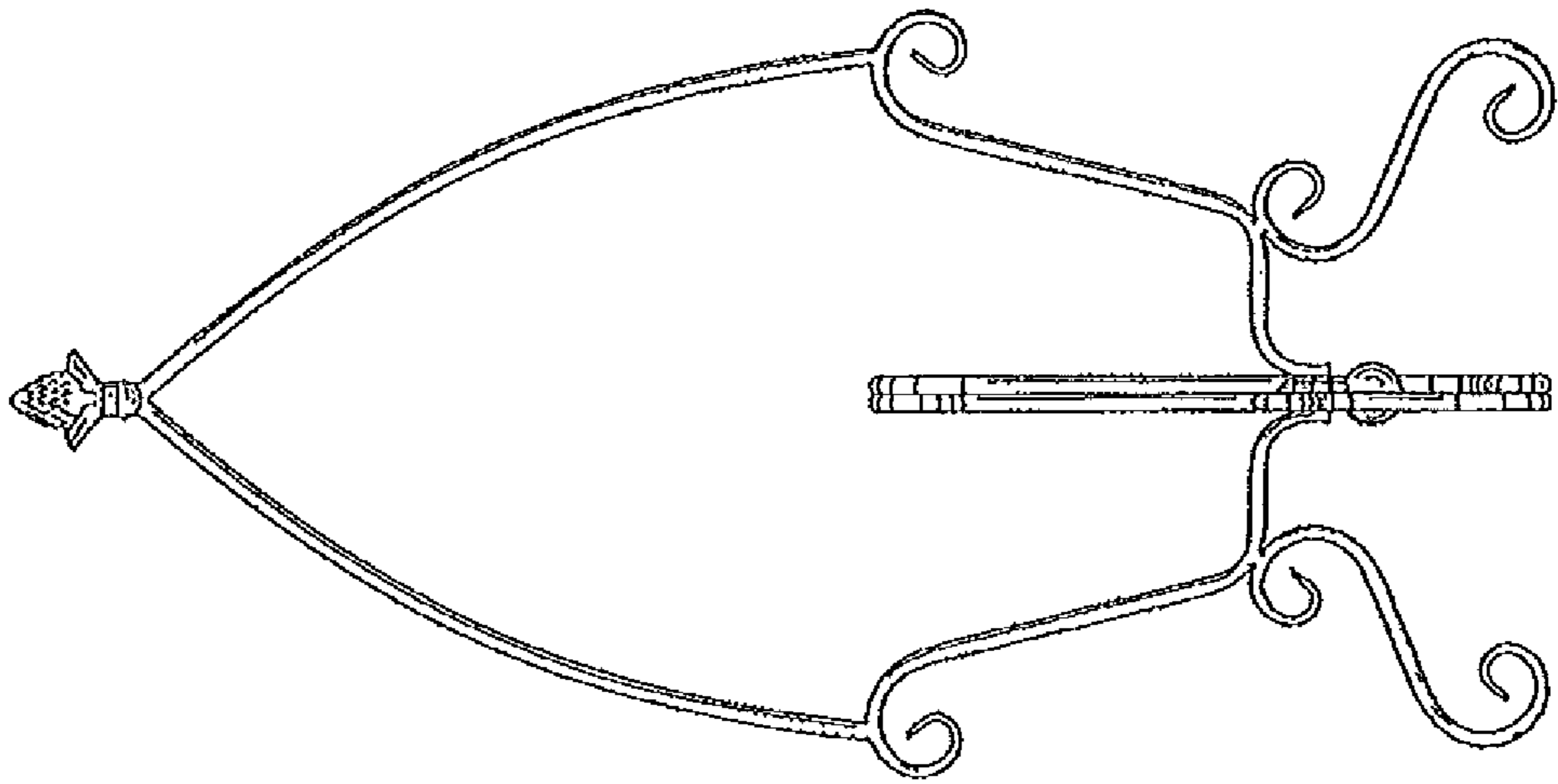


FIG. 2

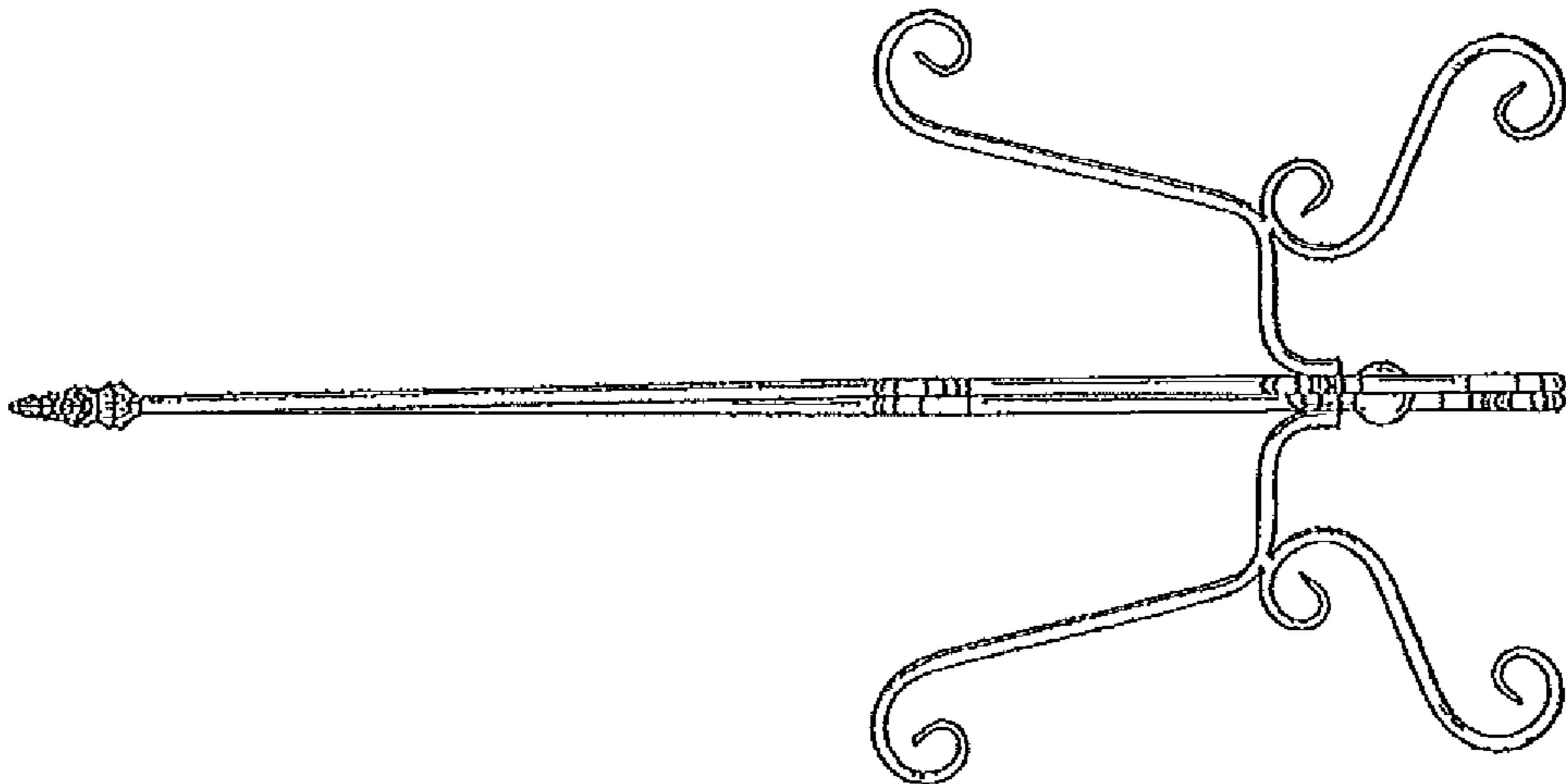


FIG. 5

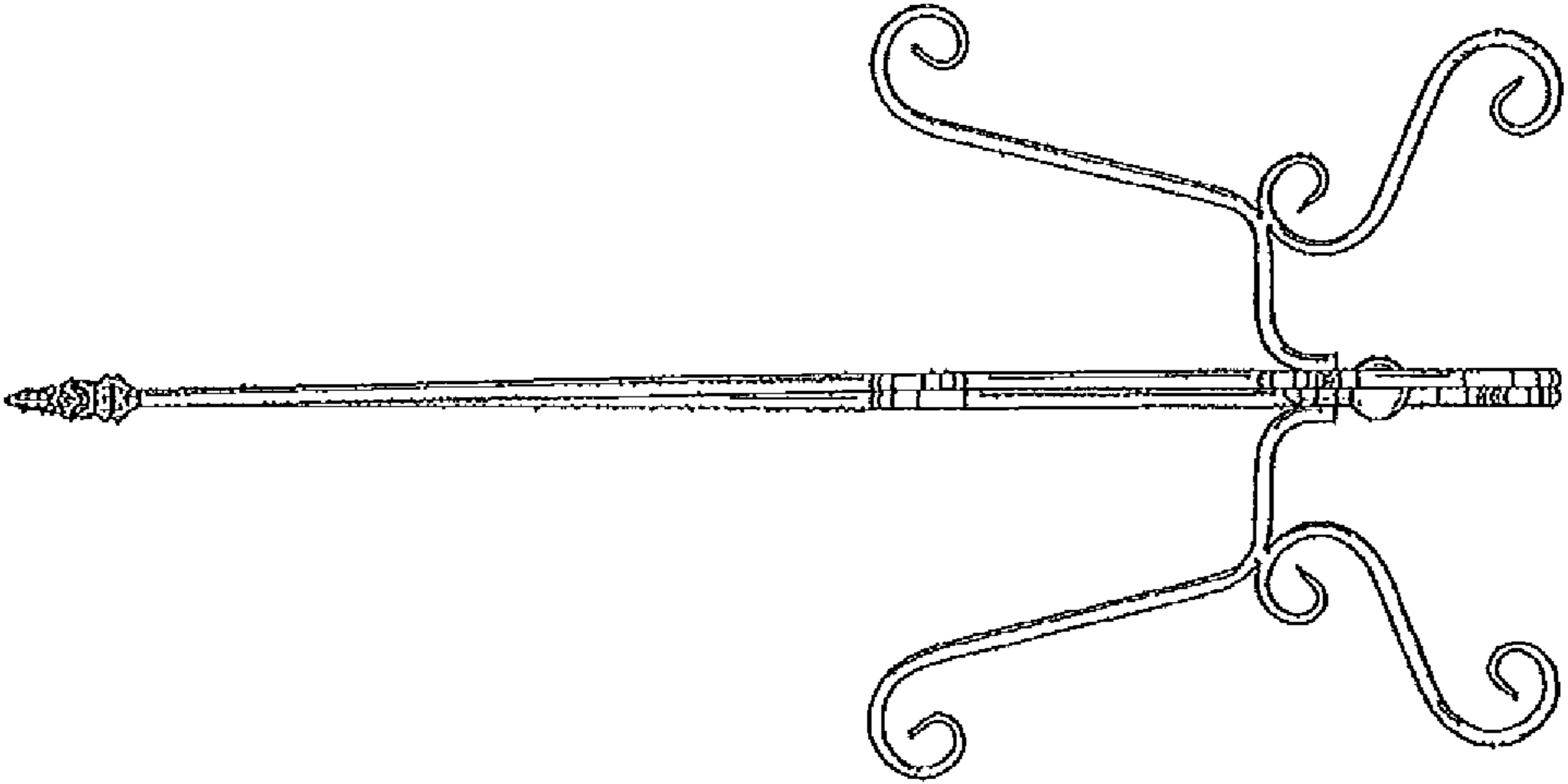


FIG. 4

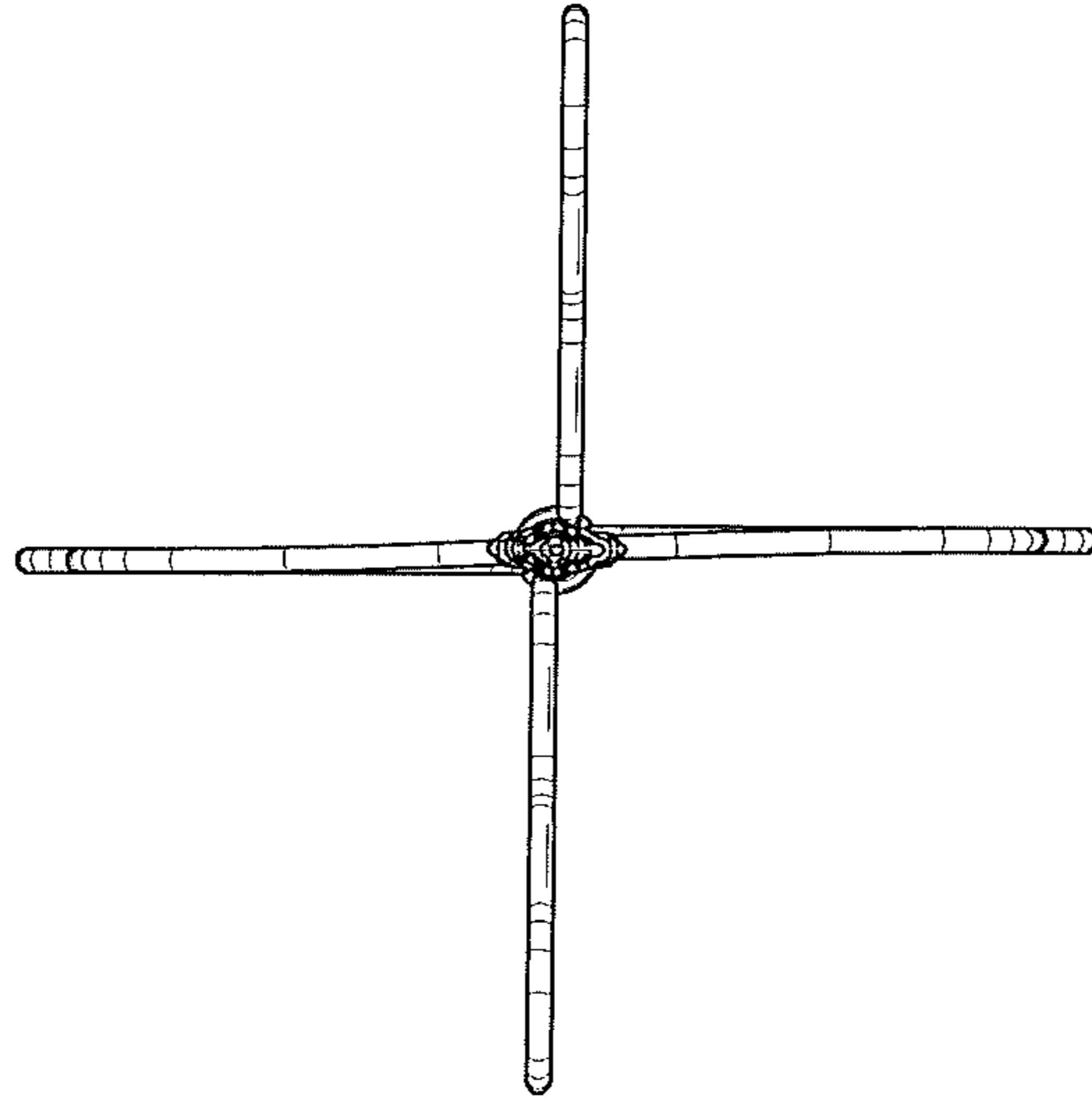


FIG. 6

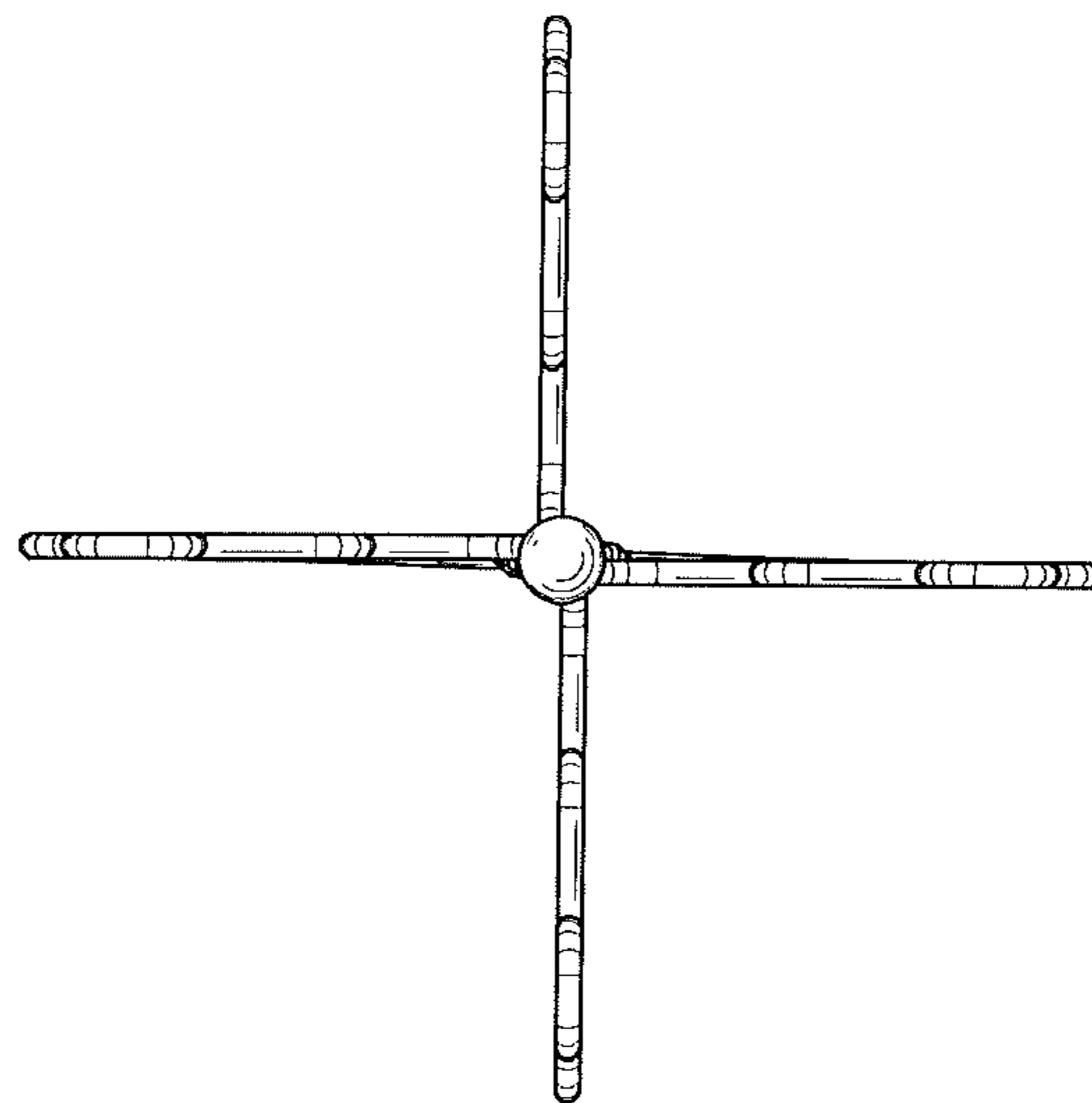


FIG. 7

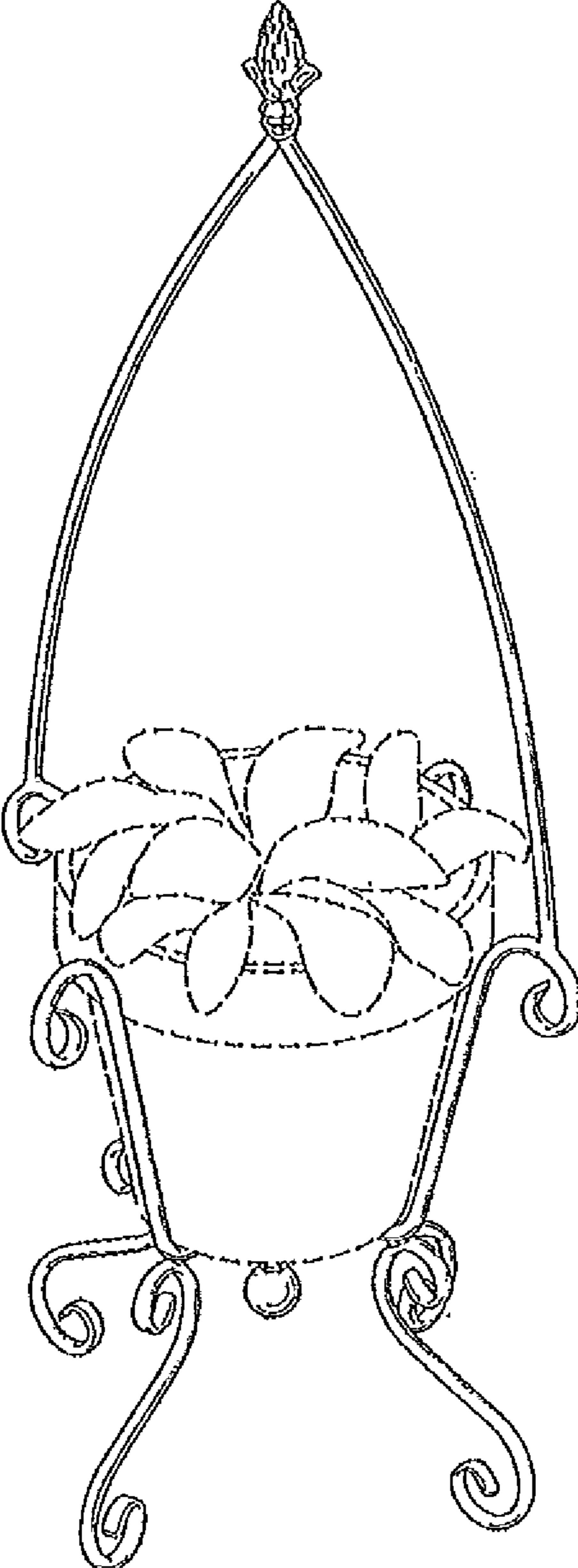


FIG. 8