

US00D698558S

(12) **United States Design Patent**
Williams

(10) **Patent No.:** **US D698,558 S**

(45) **Date of Patent:** **** Feb. 4, 2014**

(54) **INFANT SAFETY SEAT**

(71) Applicant: **Wonderland Nurserygoods Company Limited, Central (HK)**

(72) Inventor: **Bruce L. Williams, Narvon, PA (US)**

(73) Assignee: **Wonderland Nurserygoods Company Limited, Central (HK)**

(**) Term: **14 Years**

(21) Appl. No.: **29/441,834**

(22) Filed: **Jan. 10, 2013**

(30) **Foreign Application Priority Data**

Jul. 11, 2012 (CN) 2012 3 0308557

(51) **LOC (10) Cl.** **06-01**

(52) **U.S. Cl.**
USPC **D6/333**

(58) **Field of Classification Search**
USPC D6/333-335, 344, 339, 702, 716,
D6/716.1-716.7; 4/572.1, 571.1, 578.1,
4/586, 590; 297/183.1-183.4, 184.13,
297/184.17, 256.1, 467, 487, 488, 445.1;
D21/419, 412; 5/94, 98.2, 103-104,
5/93.1, 99.1, 101, 98.1, 12.1;
D12/129-130; 280/30-31

See application file for complete search history.

(56) **References Cited**

U.S. PATENT DOCUMENTS

D321,449 S *	11/1991	Meeker	D6/496
D373,028 S *	8/1996	Kain	D6/333
D376,919 S *	12/1996	Sedlack	D6/333
D417,568 S *	12/1999	Pike	D6/500
D424,311 S *	5/2000	Geis et al.	D6/333
D438,716 S *	3/2001	Longenecker	D6/333
D650,597 S *	12/2011	Lehman	D6/333
D687,231 S *	8/2013	Gillett et al.	D6/333

* cited by examiner

Primary Examiner — Caron D Veynar

Assistant Examiner — Abraham Bahta

(74) *Attorney, Agent, or Firm* — Bacon & Thomas, PLLC

(57) **CLAIM**

The ornamental design for an infant safety seat, as shown.

DESCRIPTION

FIG. 1 is a perspective view of an infant safety seat of the new design (as the reference figure);

FIG. 2 is a front view of the infant safety seat of the new design;

FIG. 3 is a rear view of the infant safety seat of the new design;

FIG. 4 is a left-side view of the infant safety seat of the new design;

FIG. 5 is a right-side view of the infant safety seat of the new design;

FIG. 6 is a top view of the infant safety seat of the new design; and,

FIG. 7 is a bottom view of the infant safety seat of the new design.

1 Claim, 4 Drawing Sheets





FIG.1

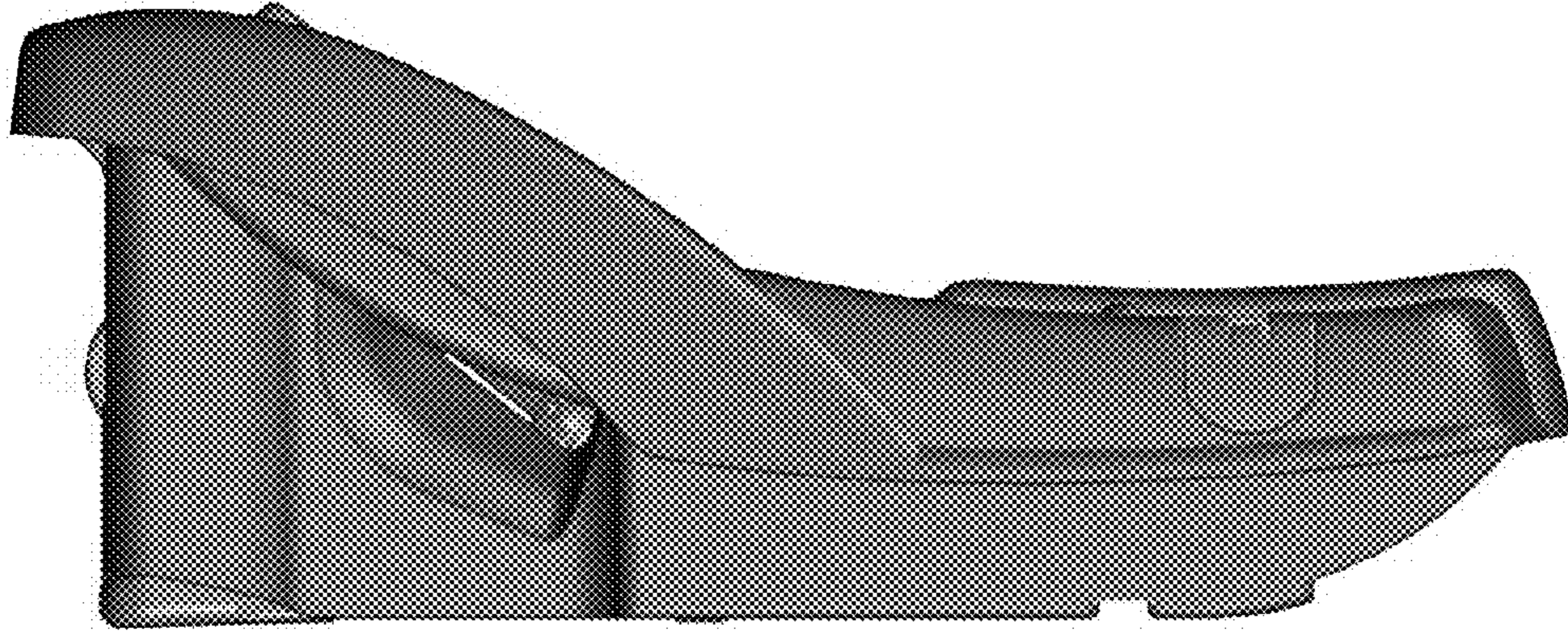


FIG.2

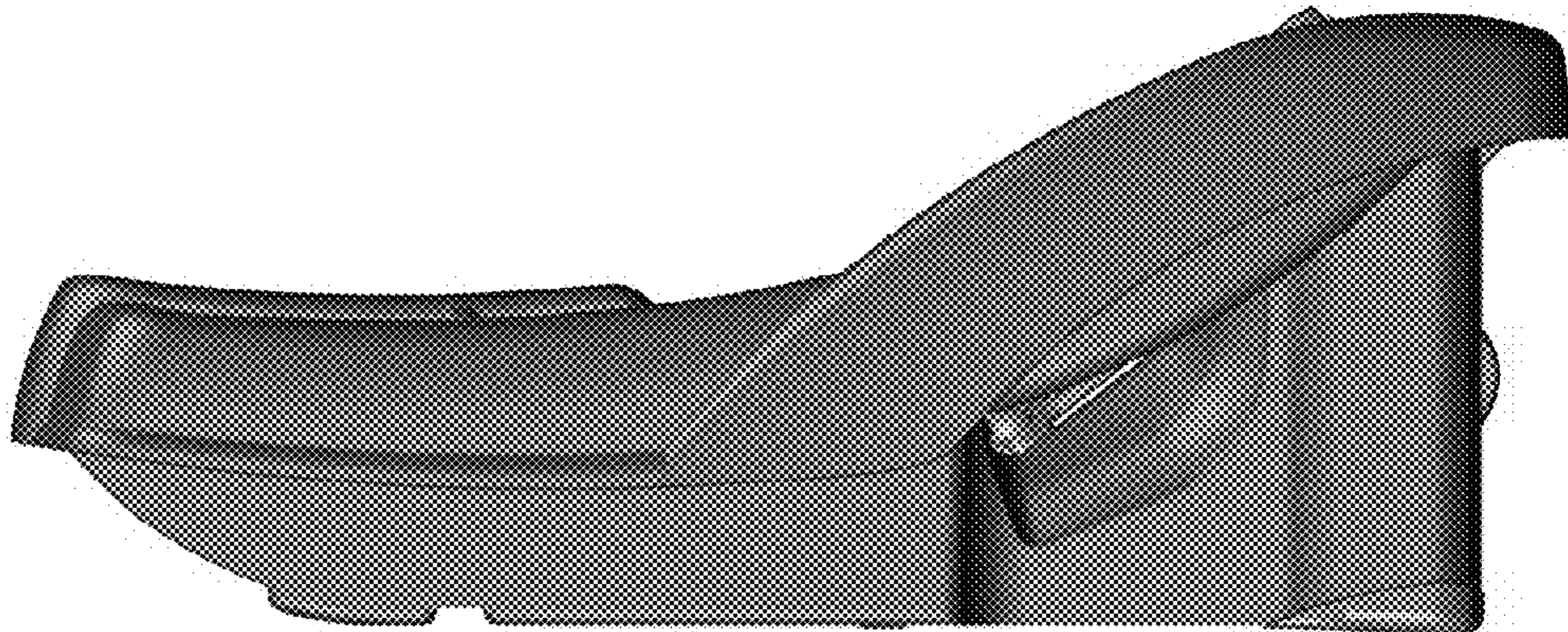


FIG.3



FIG. 4

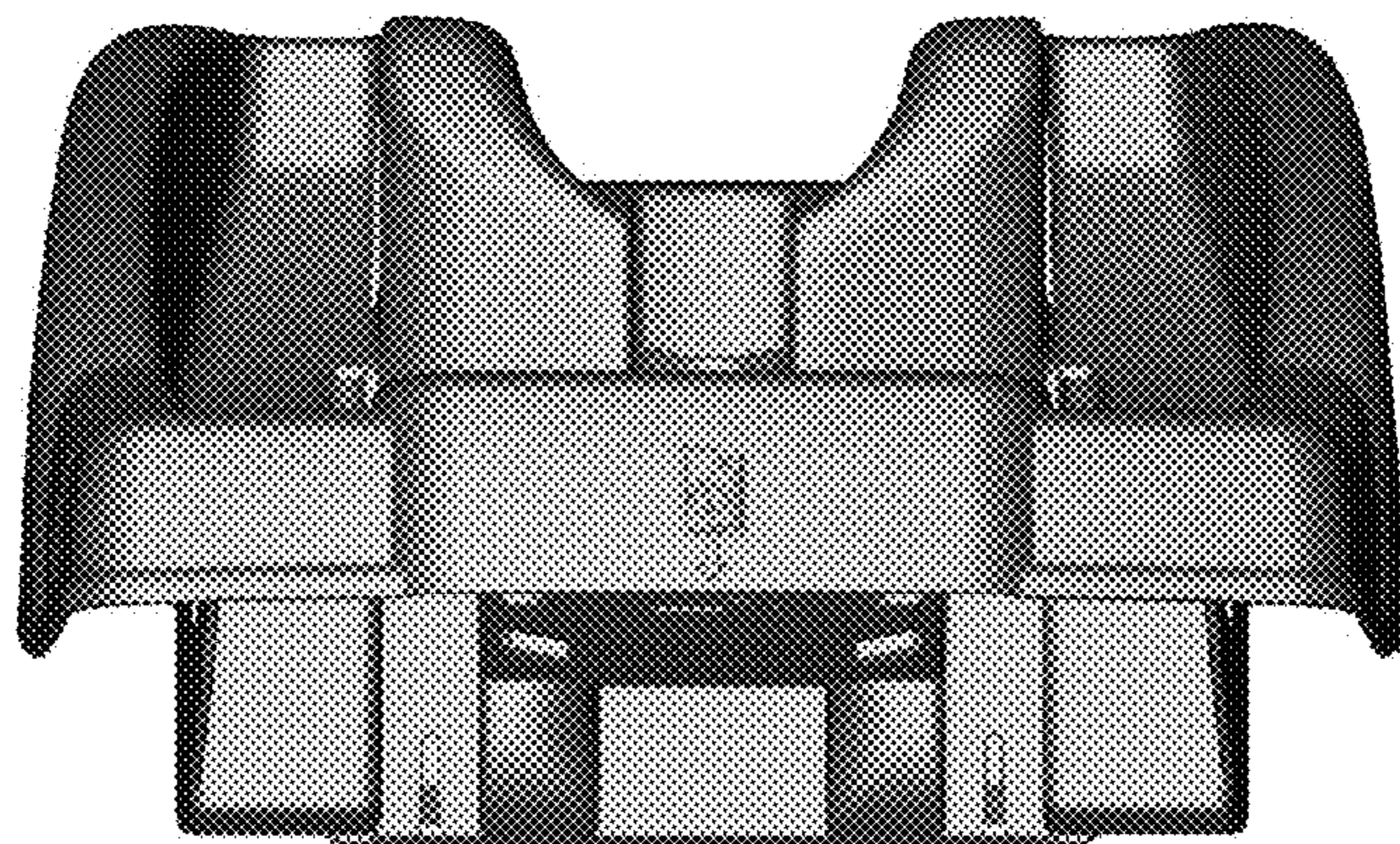


FIG. 5

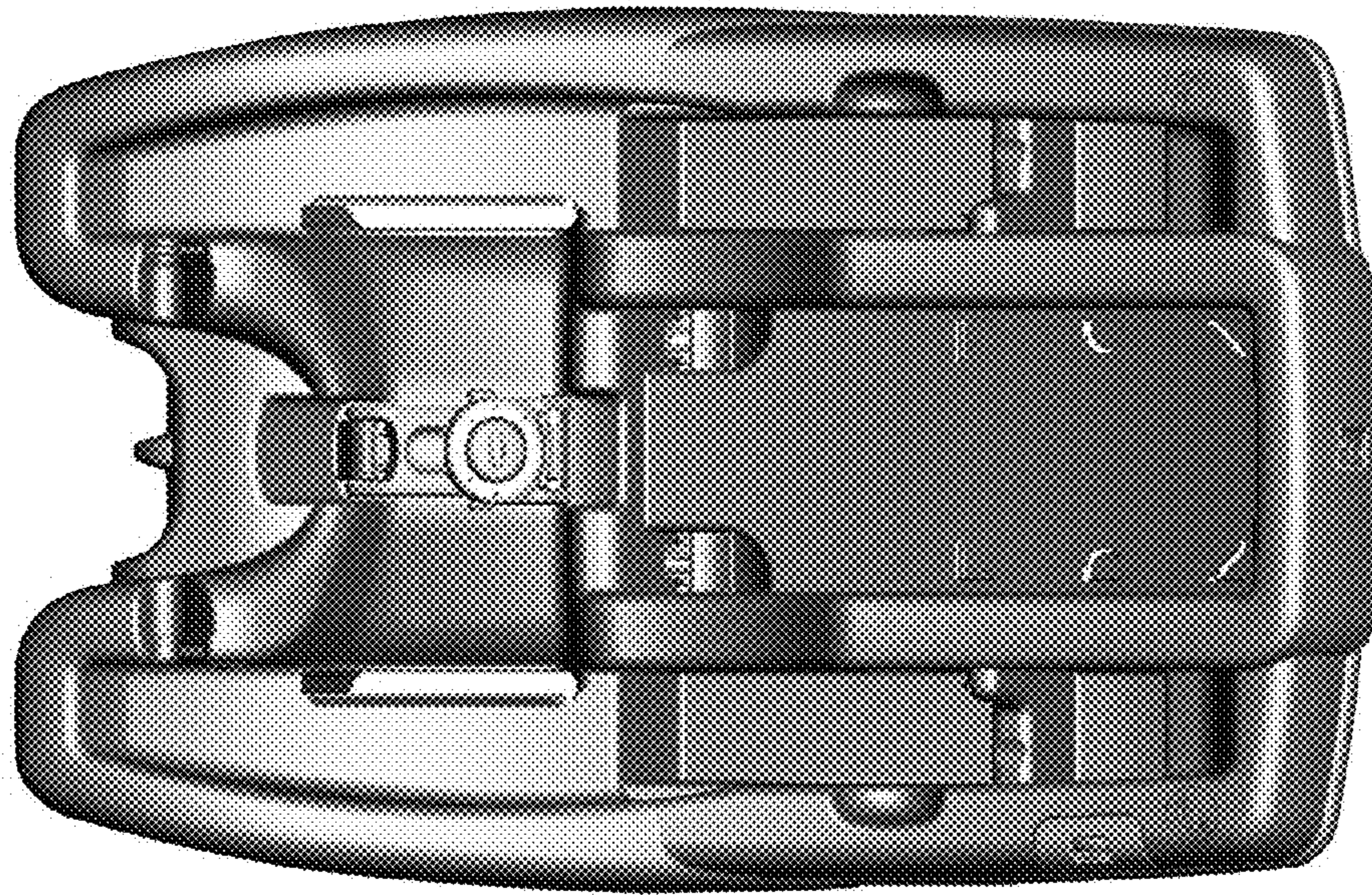


FIG.6

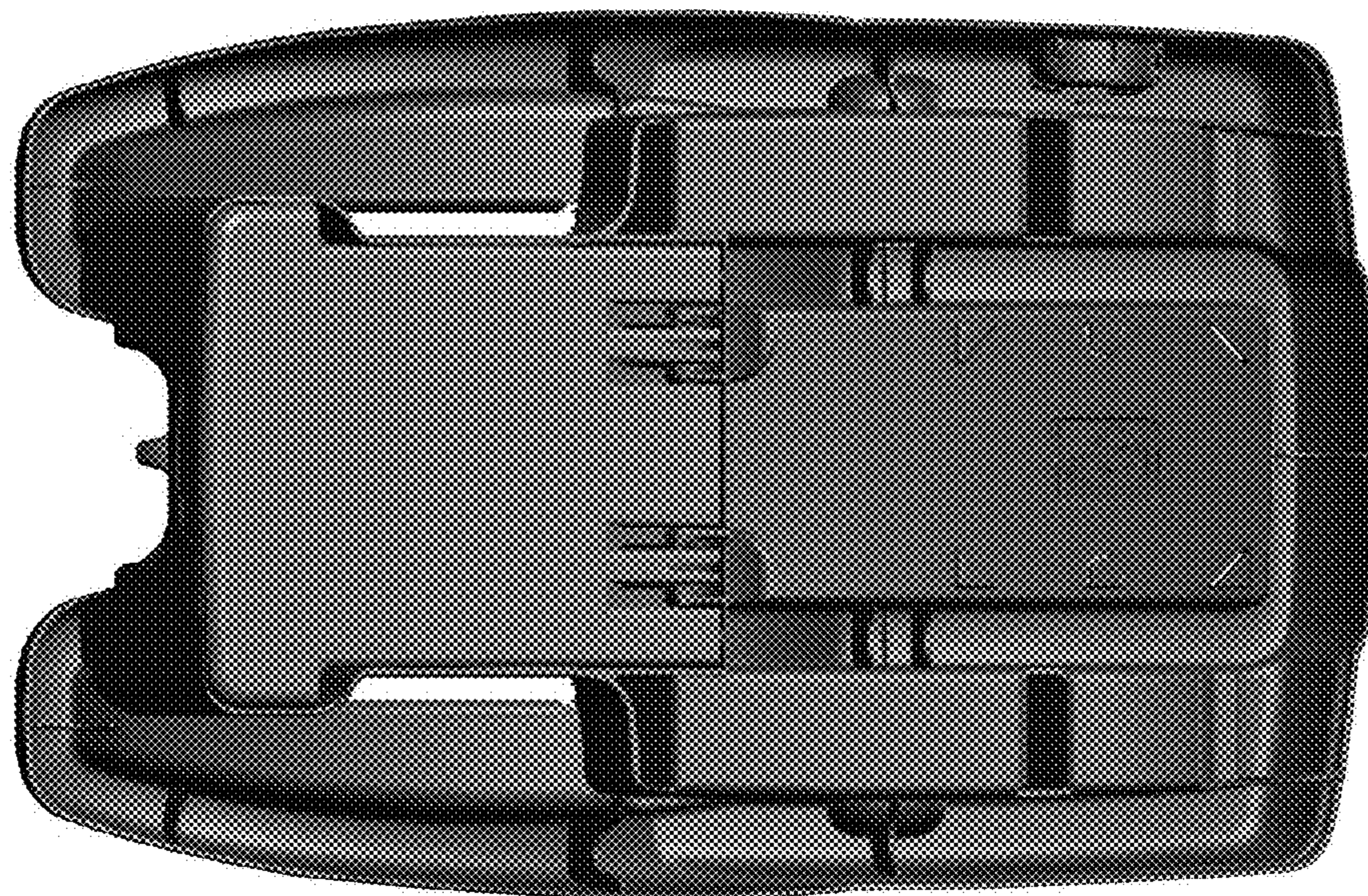


FIG.7