



US00D698557S

(12) **United States Design Patent**
Berglund

(10) **Patent No.:** **US D698,557 S**
(45) **Date of Patent:** **** Feb. 4, 2014**

- (54) **HANGER**
- (71) Applicant: **Stephen Berglund**, Fresno, CA (US)
- (72) Inventor: **Stephen Berglund**, Fresno, CA (US)
- (**) Term: **14 Years**
- (21) Appl. No.: **29/460,440**
- (22) Filed: **Jul. 10, 2013**

Related U.S. Application Data

- (63) Continuation-in-part of application No. 29/447,650, filed on Mar. 5, 2013, now Pat. No. Des. 688,867.
- (51) **LOC (10) Cl.** **06-08**
- (52) **U.S. Cl.**
USPC **D6/319**
- (58) **Field of Classification Search**
USPC D6/315-328; 223/85-98; 211/13.1, 10, 211/86.01, 87.01, 85.2, 113; D9/443; D8/301, 306
See application file for complete search history.

References Cited

U.S. PATENT DOCUMENTS

1,305,797 A	6/1919	Henderson
1,452,644 A	4/1923	Kennedy
1,463,002 A	7/1923	Barnet
1,476,423 A	12/1923	Salisbury
1,537,956 A	5/1925	McNally
1,666,704 A	4/1928	Hunter
2,088,232 A	7/1937	Cumming
D115,502 S	7/1939	Kohl
2,170,841 A	8/1939	Thies et al.
2,210,755 A	8/1940	Frank
2,534,380 A	12/1950	Schwartzman
2,637,424 A	5/1953	Duskin
2,815,785 A	12/1957	Vail
2,861,735 A	11/1958	Faltin
3,142,324 A	7/1964	Fremont

3,164,187 A	1/1965	Simmons	
3,388,777 A	6/1968	Nolan	
3,495,763 A	2/1970	Schmidt et al.	
3,558,038 A	1/1971	Gelles et al.	
D223,700 S *	5/1972	Kamins	D8/301
3,670,947 A	6/1972	Tangredi et al.	
3,929,224 A	12/1975	Smith, Jr.	
3,934,497 A	1/1976	Hannah	
D242,764 S *	12/1976	Kamins	D9/434
4,084,689 A	4/1978	Yamagata	
4,189,036 A	2/1980	Pelavin	
4,244,453 A	1/1981	Herz	
4,390,087 A	6/1983	Goldfinger	
4,391,396 A	7/1983	Brady	
4,401,219 A	8/1983	Mink	

(Continued)

OTHER PUBLICATIONS

Cleaner's Supply advertisement for "Converta" bag dated Jan. 4, 2010.

(Continued)

Primary Examiner — Derrick Holland
Assistant Examiner — Lauren Calve

(74) *Attorney, Agent, or Firm* — Mark D. Miller

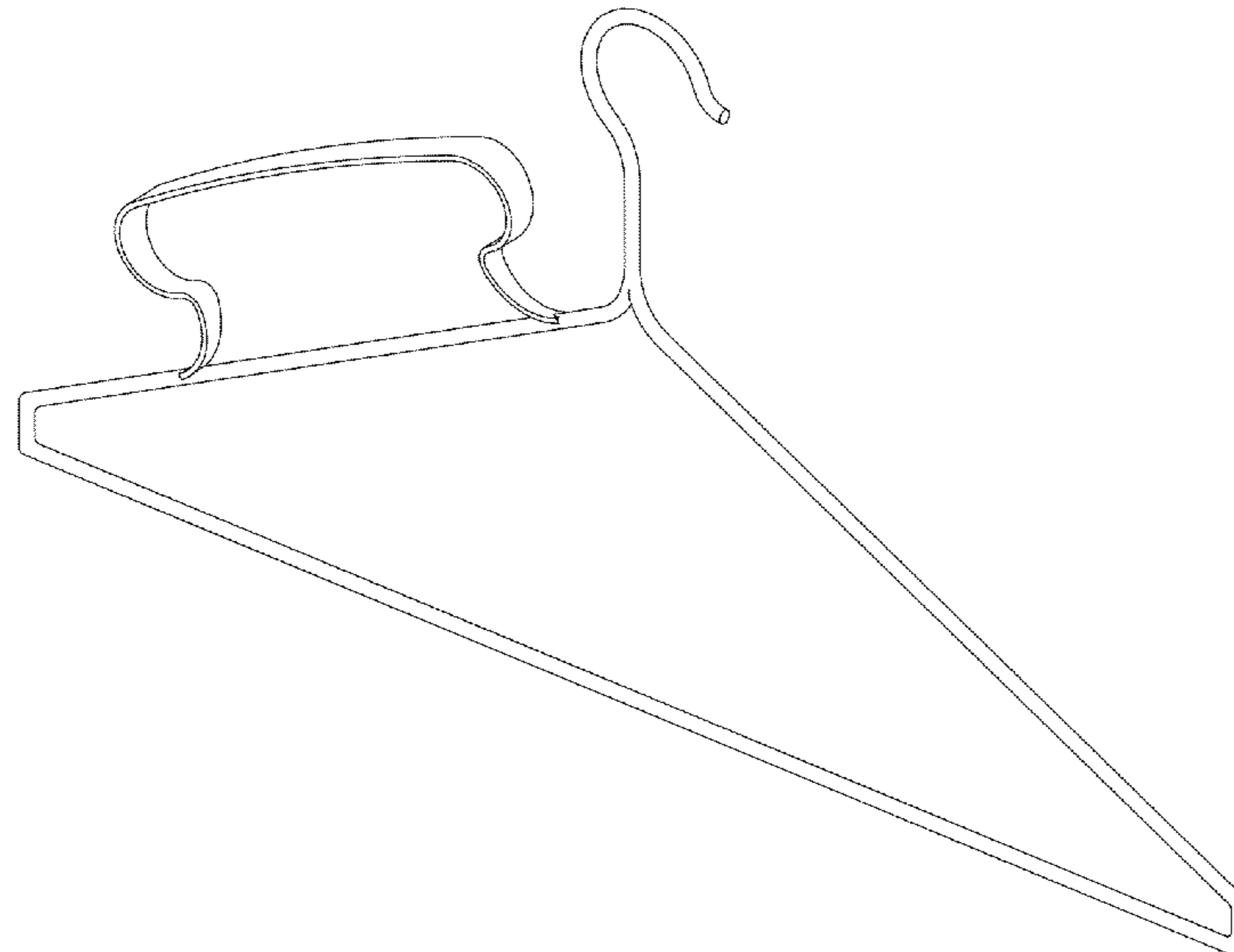
(57) **CLAIM**

I claim the ornamental design for a hanger, as shown and described.

DESCRIPTION

FIG. 1 is a front perspective view of a hanger showing my new design;
FIG. 2 is a rear perspective view thereof;
FIG. 3 is front elevational view thereof;
FIG. 4 is a bottom plan view thereof;
FIG. 5 is a top plan view thereof;
FIG. 6 is a left side elevational view thereof; and,
FIG. 7 is a right side elevational view thereof.

1 Claim, 3 Drawing Sheets



(56)

References Cited

U.S. PATENT DOCUMENTS

4,438,844 A 3/1984 Kesselman et al.
D282,315 S 1/1986 Allen
4,580,667 A 4/1986 Herwood
4,590,610 A 5/1986 Rhyne
5,002,183 A 3/1991 Okano
5,010,987 A 4/1991 Evans
D321,790 S 11/1991 Martorella
5,065,864 A 11/1991 Schmitt
5,090,559 A 2/1992 Gendreau
5,117,974 A 6/1992 Bieber
5,253,775 A 10/1993 Gould
5,370,230 A 12/1994 Cox
D369,025 S 4/1996 Miller
D377,863 S 2/1997 Van Skiver
5,628,398 A 5/1997 Jackson
D383,904 S 9/1997 Stewart
D385,419 S 10/1997 Ibigbami

D422,903 S 4/2000 Lim
6,296,094 B1 10/2001 Knecht
6,708,819 B1 3/2004 Lee
6,811,027 B2 11/2004 Alexander
D499,548 S 12/2004 Deutschendorf et al.
D505,547 S 5/2005 Whipple
D602,760 S * 10/2009 Davis D8/320
D633,715 S 3/2011 Berglund
D637,396 S 5/2011 Berglund
D651,404 S 1/2012 Berglund
2003/0102230 A1 6/2003 Gregorcic
2003/0179958 A1 9/2003 Chiang et al.
2007/0183691 A1 8/2007 Finnegan

OTHER PUBLICATIONS

Advertisement for "Green Garmento" bag, American Drycleaner, p.
25, Jan. 2010.
U.S. Trademark Registration No. 1768697 dated May 14, 1993.

* cited by examiner

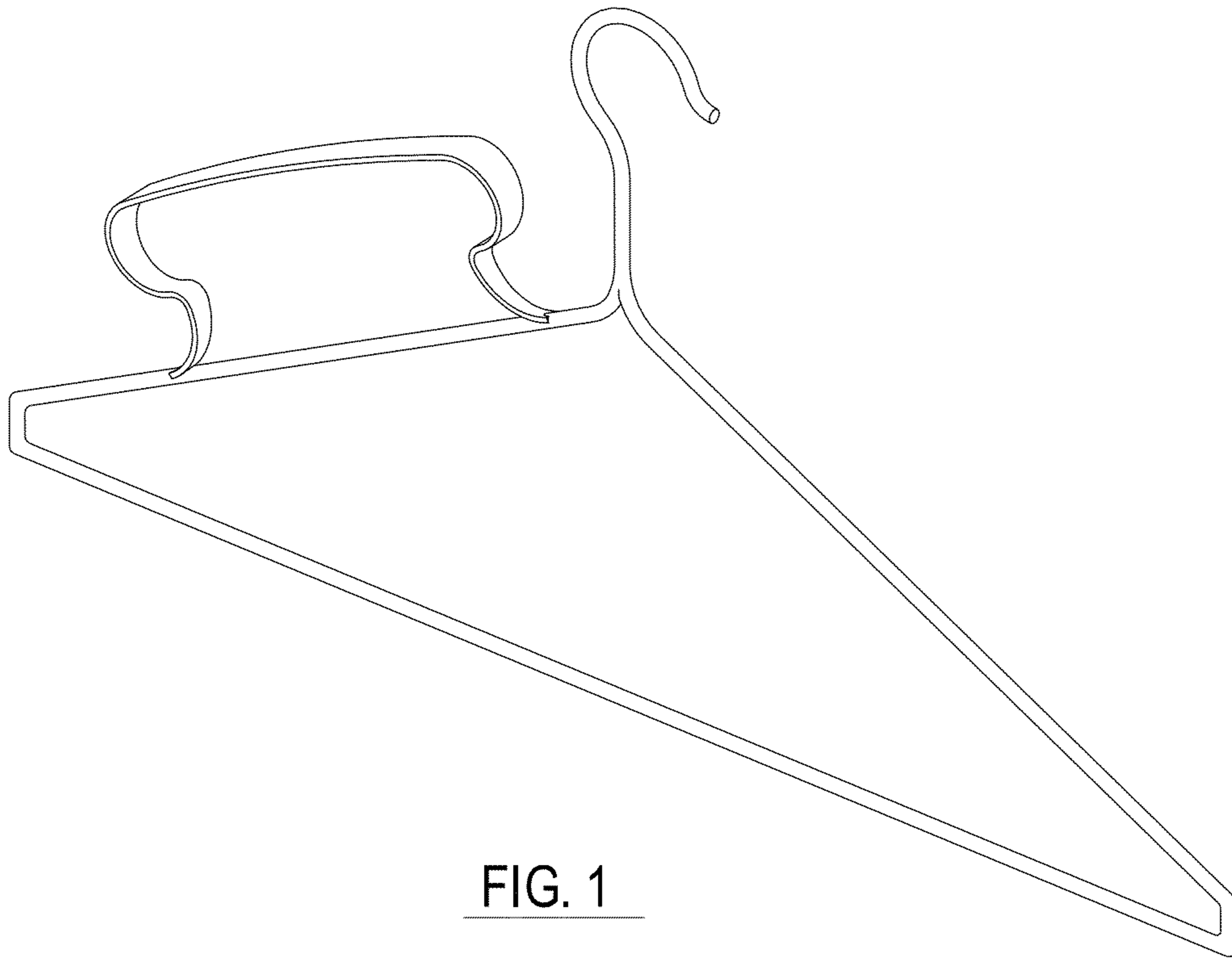


FIG. 1

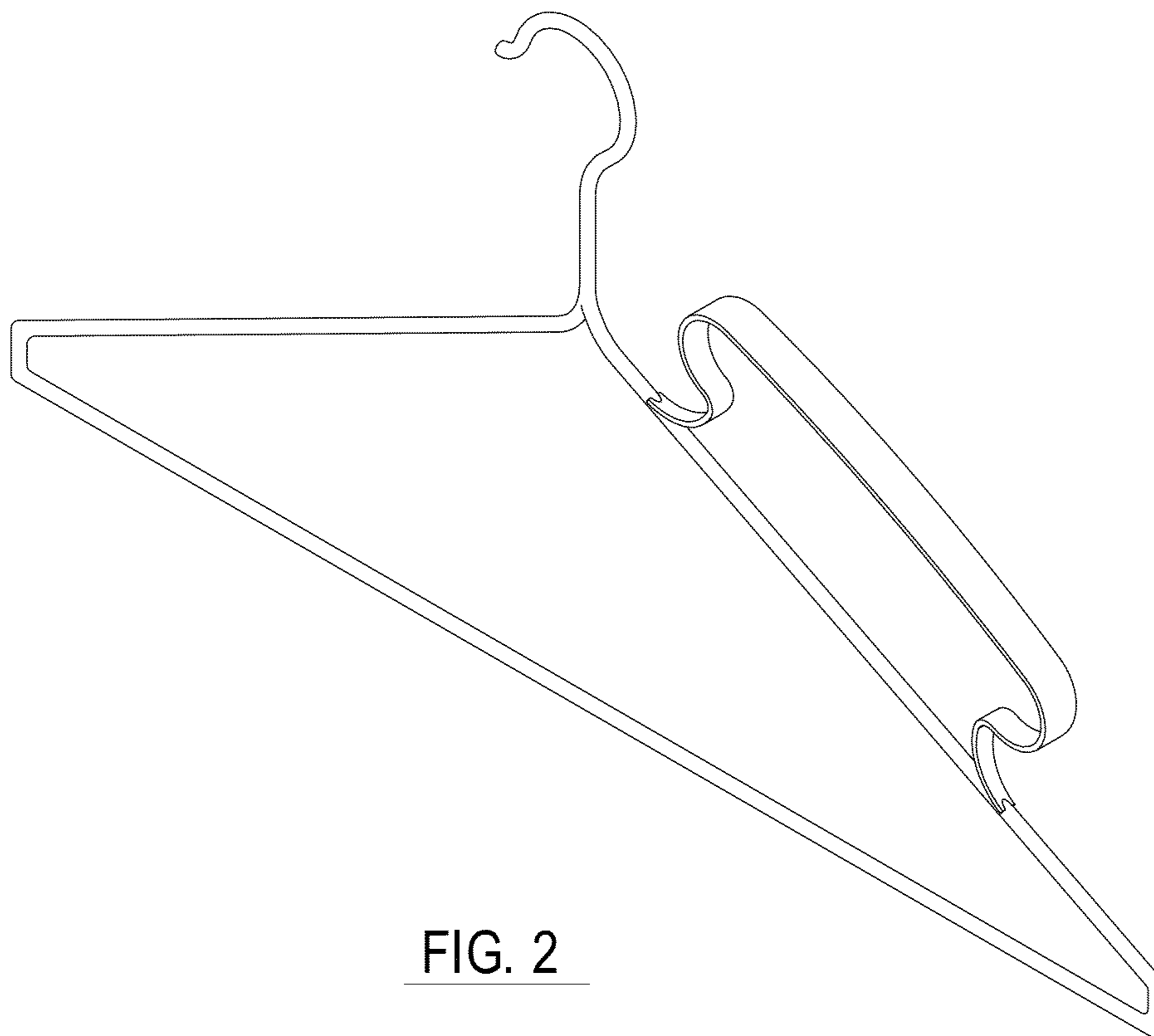


FIG. 2

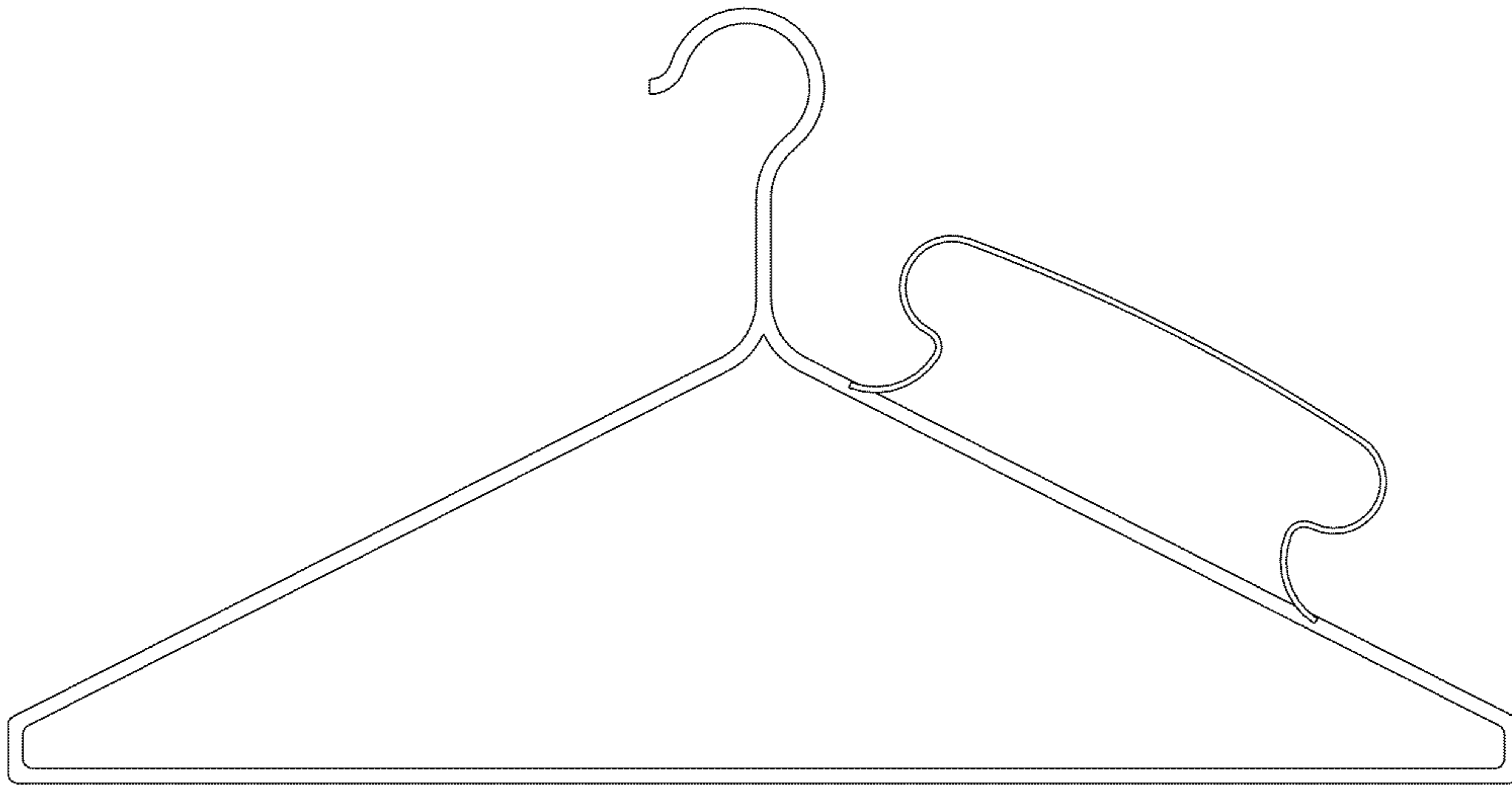


FIG. 3

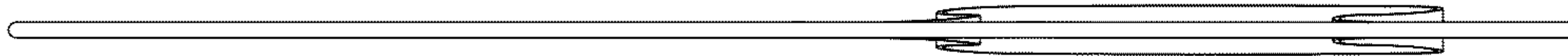


FIG. 4

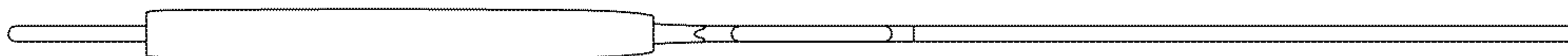


FIG. 5



FIG. 6



FIG. 7