



US00D698553S

(12) **United States Design Patent**
Evans

(10) **Patent No.:** **US D698,553 S**
(45) **Date of Patent:** **** Feb. 4, 2014**

(54) **SHORT TOOTHBRUSH**
(71) Applicant: **Kerry W. Evans**, Hardy, AR (US)
(72) Inventor: **Kerry W. Evans**, Hardy, AR (US)
(**) Term: **14 Years**

2,548,255 A * 4/1951 Cressler 300/21
3,917,420 A * 11/1975 Watson 401/286
D293,288 S * 12/1987 Cron et al. D4/104
D309,528 S * 7/1990 Valenti D4/104
D601,805 S * 10/2009 Kayser D4/104
D610,810 S * 3/2010 Evans D4/104

(21) Appl. No.: **29/446,045**
(22) Filed: **Feb. 20, 2013**

FOREIGN PATENT DOCUMENTS

KR 50682 S * 11/1984
* cited by examiner

(30) **Foreign Application Priority Data**

Jan. 3, 2013 (EM) 002161521
Feb. 8, 2013 (MX) MX/f/2013/00346

Primary Examiner — Melanie H Tung
Assistant Examiner — Lavone D Tabor
(74) *Attorney, Agent, or Firm* — Joe D. Calhoun

(51) **LOC (10) Cl.** **04-02**
(52) **U.S. Cl.**
USPC **D4/104**

(57) **CLAIM**
The ornamental design for a short toothbrush, as shown and described.

(58) **Field of Classification Search**
USPC D4/101, 104–112, 132, 134, 138;
15/110, 143.1, 159.1, 160, 167.1,
15/167.2, 191.1–193, 207.2;
132/308–311; 601/139, 141, 142
See application file for complete search history.

DESCRIPTION

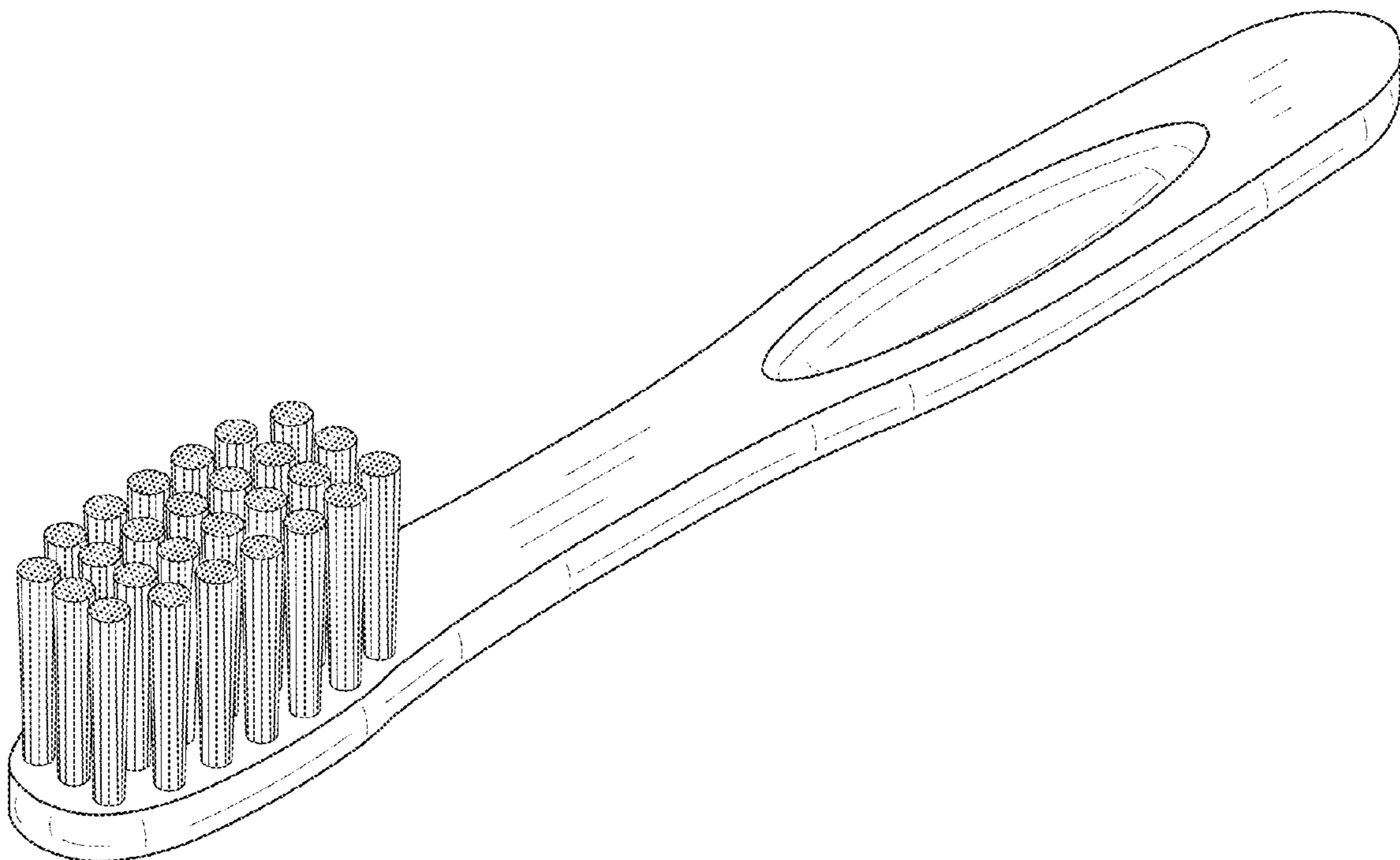
FIG. 1 depicts a perspective view of a short toothbrush.
FIG. 2 depicts a side elevation view thereof.
FIG. 3 depicts a bristle-end side elevation view thereof.
FIG. 4 depicts a handle-end side elevation view thereof.
FIG. 5 depicts a top plan view thereof; and,
FIG. 6 depicts a bottom plan view thereof.

(56) **References Cited**

U.S. PATENT DOCUMENTS

1,657,450 A * 1/1928 Barnes 15/167.1
D160,651 S * 10/1950 Nugent D4/112

1 Claim, 3 Drawing Sheets



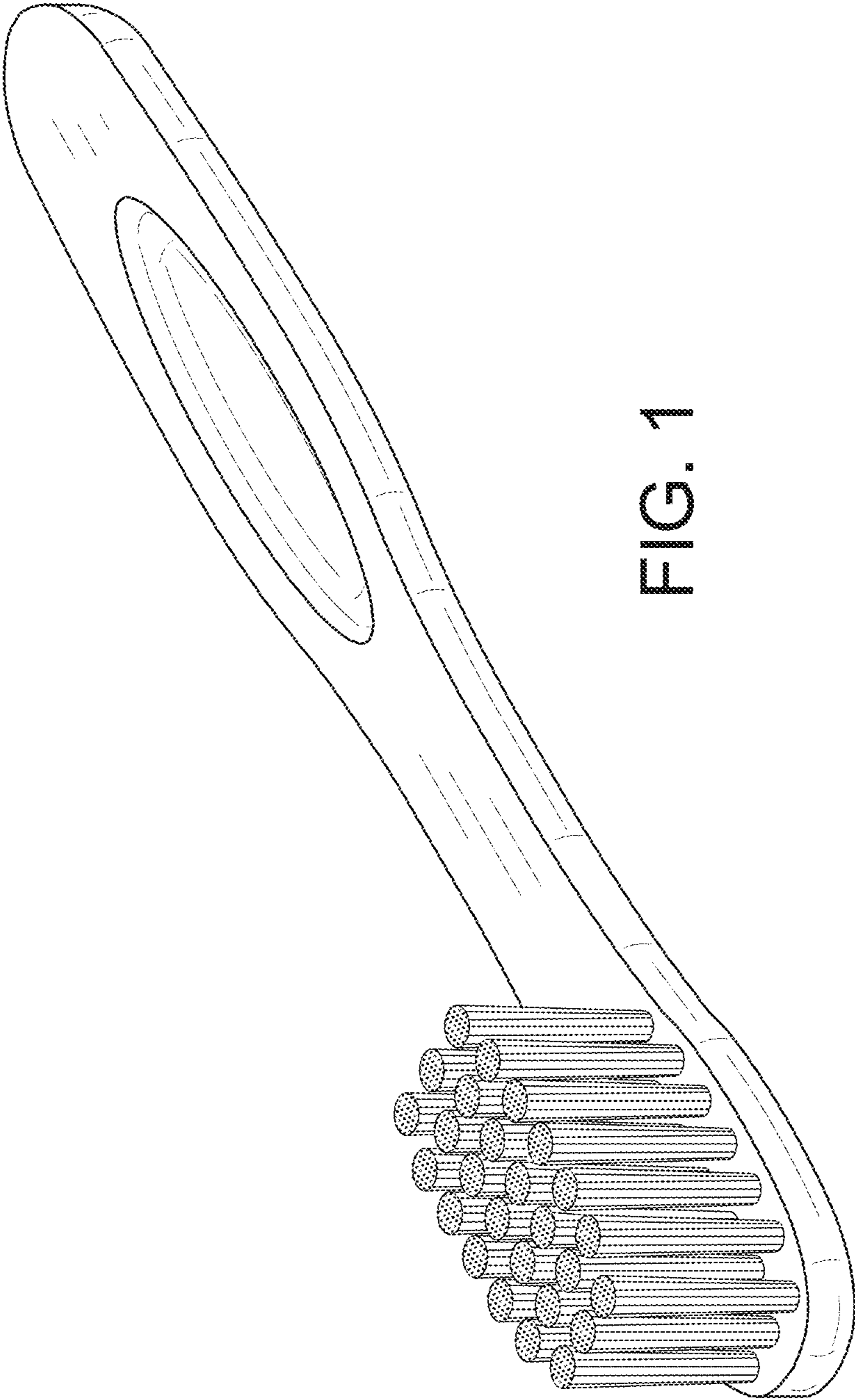


FIG. 1

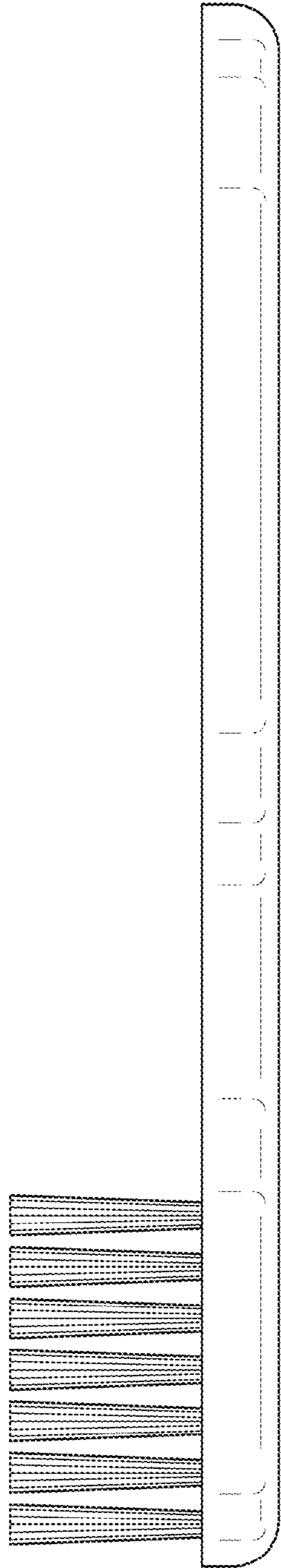


FIG. 2

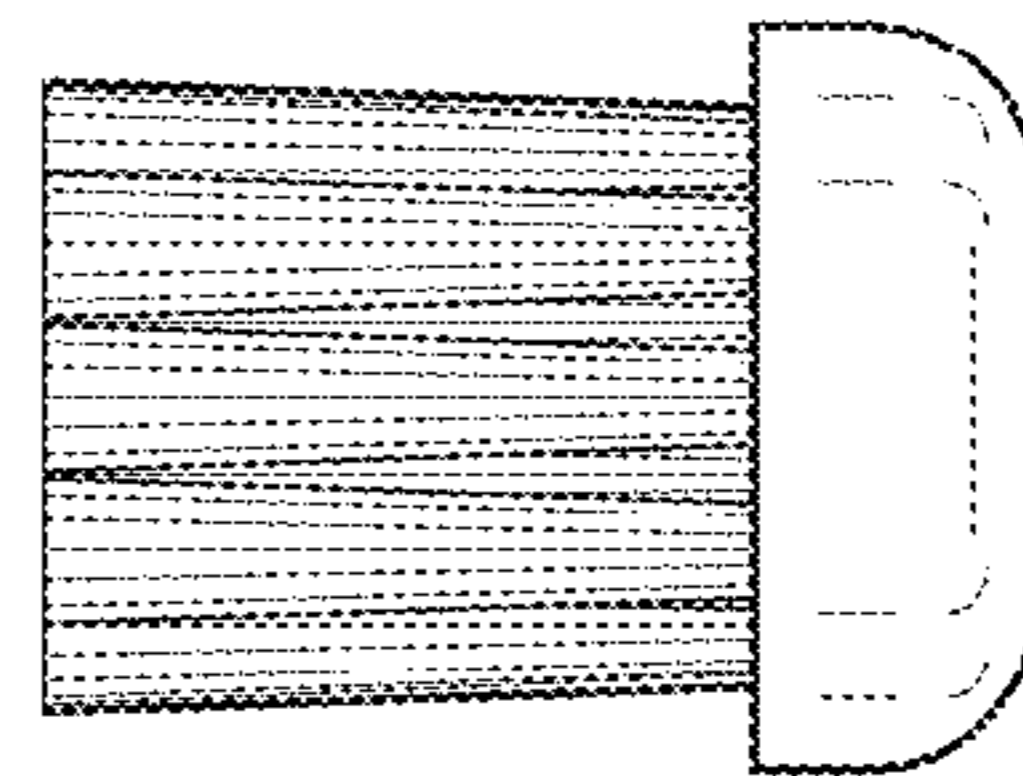


FIG. 3

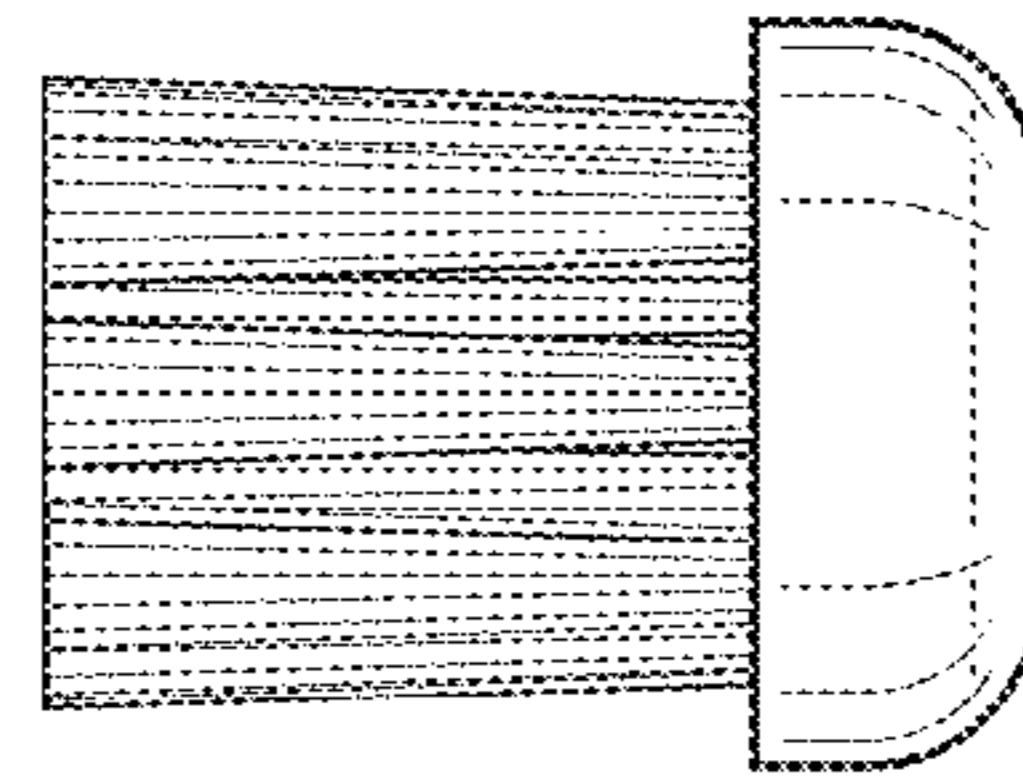


FIG. 4

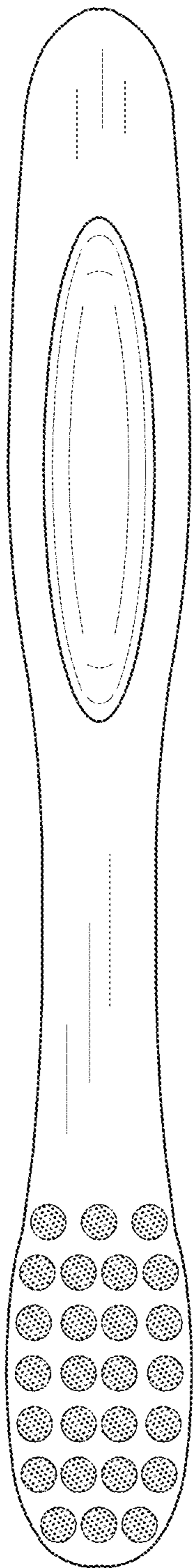


FIG. 5

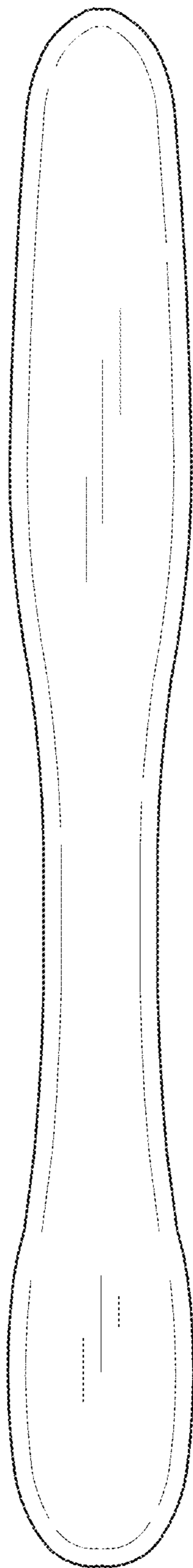


FIG. 6