



US00D698551S

(12) **United States Design Patent**  
**Thiessen et al.**

(10) **Patent No.:** **US D698,551 S**

(45) **Date of Patent:** **\*\* Feb. 4, 2014**

(54) **HANDLE WRAP**

(56) **References Cited**

(71) Applicants: **Marc Alexander Thiessen**, Alexandria,  
VA (US); **Stephen Maximilian Thiessen**, Alexandria, VA (US)

U.S. PATENT DOCUMENTS

D372,865 S *	8/1996	Stowell et al. ....	D9/434
D394,956 S *	6/1998	Fruecht .....	D3/318
D410,779 S *	6/1999	Hannah .....	D3/318

\* cited by examiner

(72) Inventors: **Marc Alexander Thiessen**, Alexandria,  
VA (US); **Stephen Maximilian Thiessen**, Alexandria, VA (US)

*Primary Examiner* — Holly Baynham  
(74) *Attorney, Agent, or Firm* — Hahn Loeser & Parks LLP;  
Carlos P. Garritano

(73) Assignee: **SMAX, LLC**, Alexandria, VA (US)

(57) **CLAIM**  
The ornamental design for a handle wrap, as shown and described.

(\*\*) Term: **14 Years**

**DESCRIPTION**

(21) Appl. No.: **29/443,165**

FIG. 1 is a top reduced scale perspective view of an embodiment of a handle wrap in an open condition;  
FIG. 2 is a bottom perspective view of the embodiment of the device of FIG. 1 in an open condition;  
FIG. 3 is a perspective view of the device of FIG. 1 in a closed condition; and,  
FIG. 4 is a perspective view of the device of FIG. 1 in a closed condition on one or more handles.  
The broken lines showing the article of luggage is for the purposes of illustrating environment and forms no part of the claimed design. The closely spaced broken lines represent stitching and are part of the claimed design.

(22) Filed: **Jan. 14, 2013**

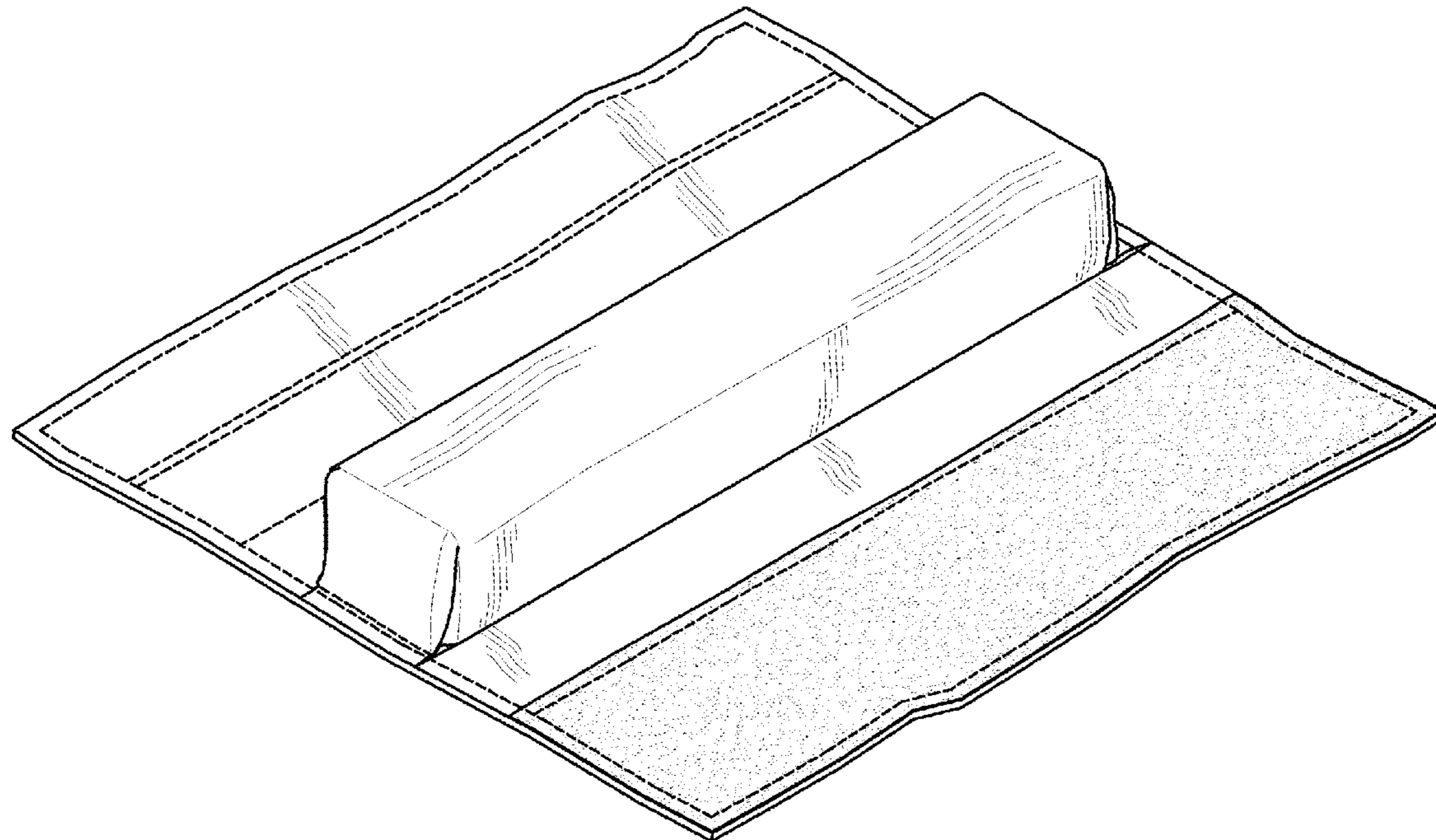
(51) **LOC (10) Cl.** ..... **03-01**

(52) **U.S. Cl.**  
USPC ..... **D3/318**

(58) **Field of Classification Search**  
USPC ..... D3/318; 190/39, 100, 115–118;  
D8/300, 308

See application file for complete search history.

**1 Claim, 4 Drawing Sheets**



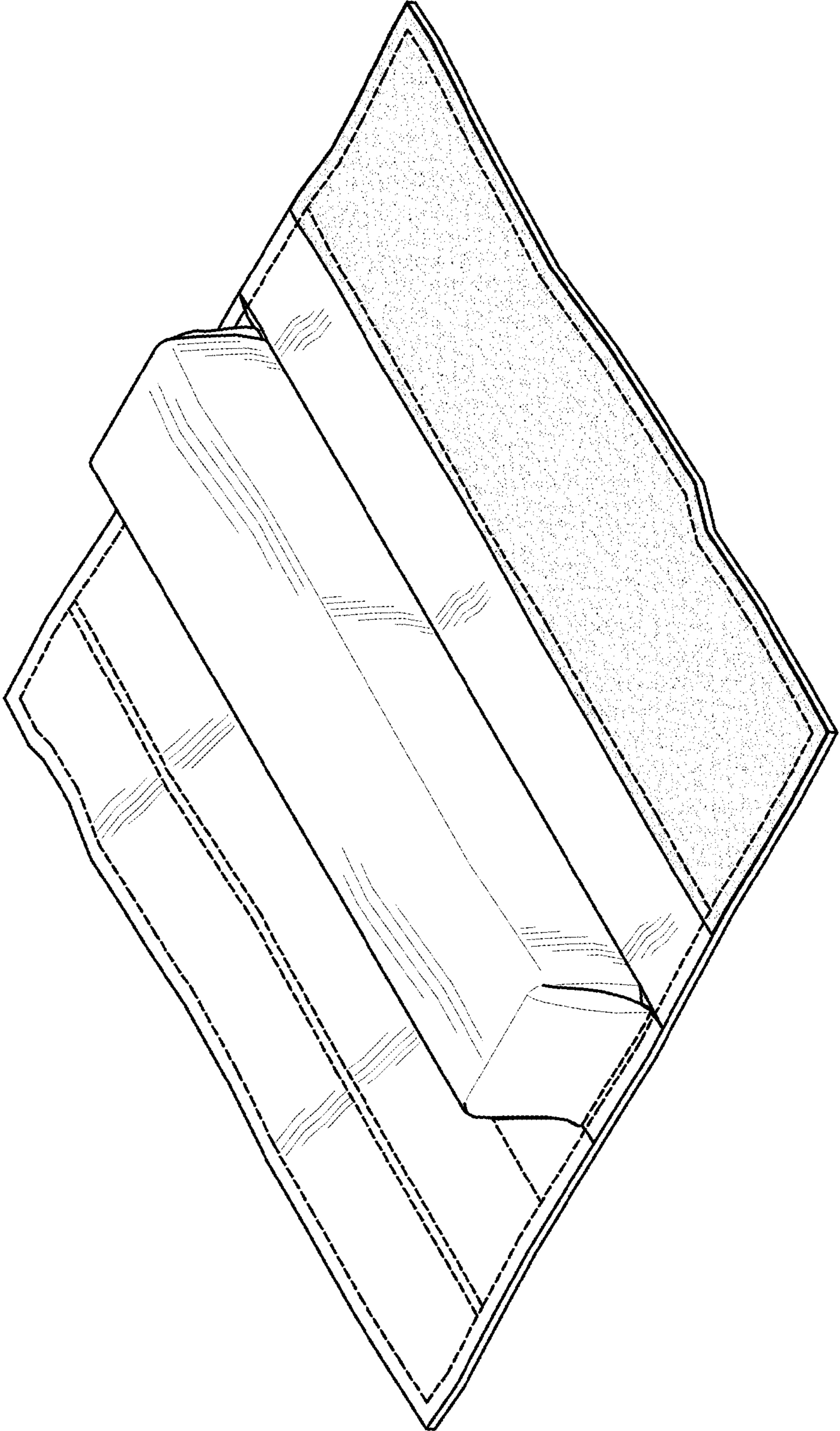


FIG. 1

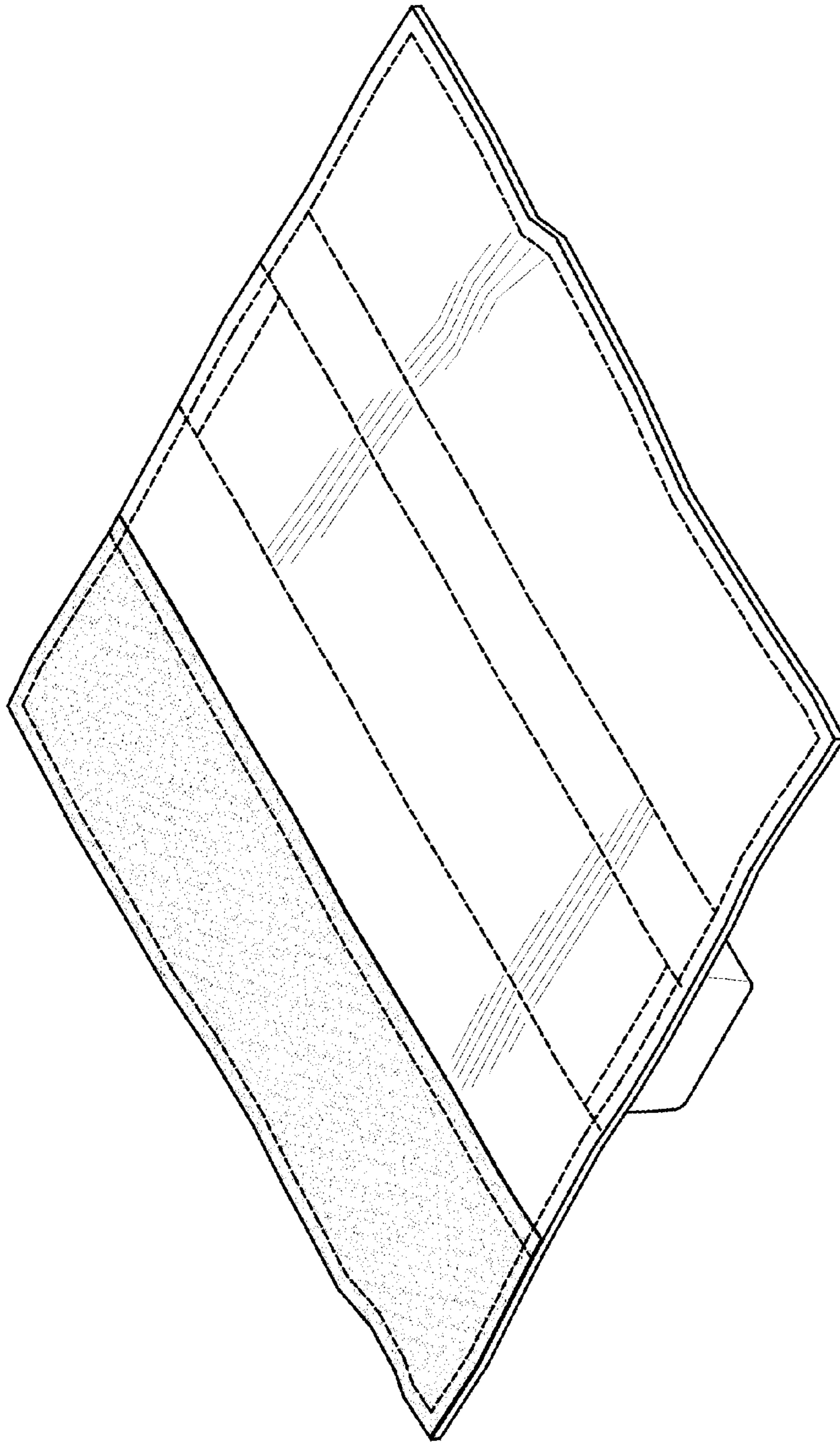


FIG. 2

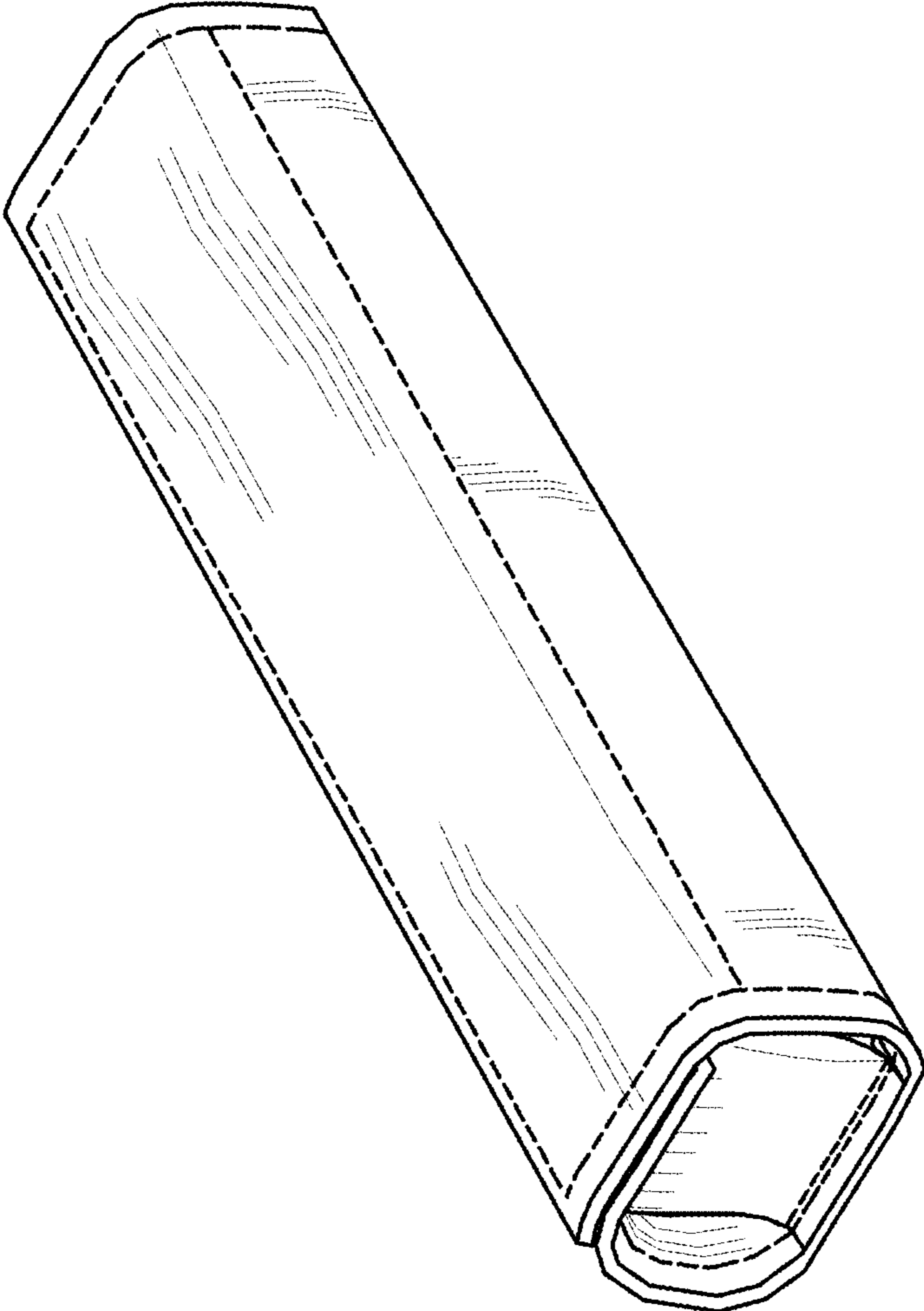


FIG. 3



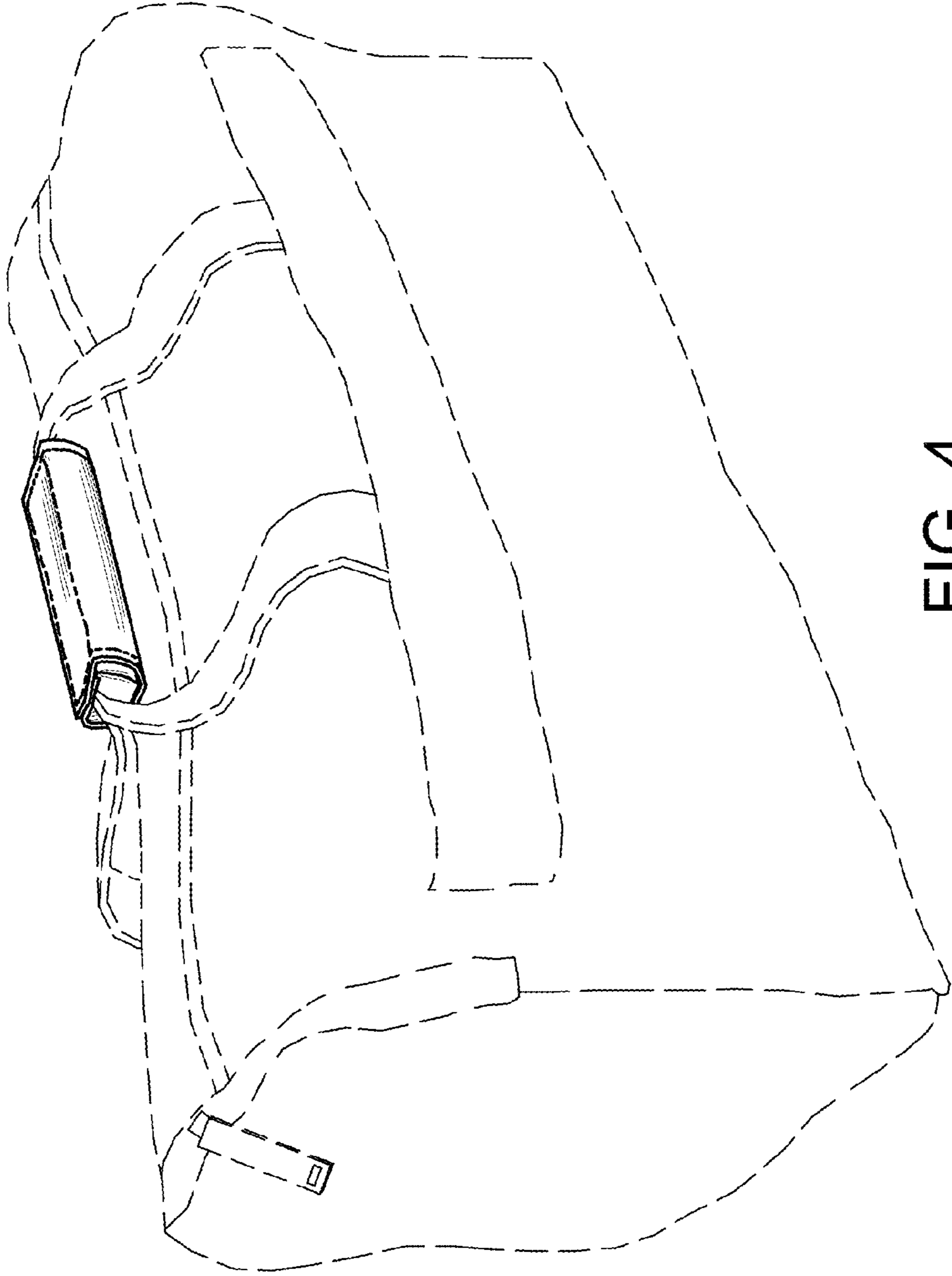


FIG. 4