



US00D698547S

(12) **United States Design Patent**  
**Deneve**

(10) **Patent No.:** **US D698,547 S**

(45) **Date of Patent:** **\*\* Feb. 4, 2014**

(54) **HANDBAG**

(71) Applicant: **Yves Saint Laurent**, Paris (FR)

(72) Inventor: **Paul Deneve**, Paris (FR)

(73) Assignee: **Yves Saint Laurent**, Paris (FR)

(\*\*) Term: **14 Years**

(21) Appl. No.: **29/444,945**

(22) Filed: **Feb. 6, 2013**

(51) **LOC (10) Cl.** ..... **03-01**

(52) **U.S. Cl.**  
USPC ..... **D3/243**

(58) **Field of Classification Search**  
USPC ..... D3/232–233, 240–243, 245–246;  
150/100, 103–110, 113–114, 117–119  
See application file for complete search history.

(56) **References Cited**

U.S. PATENT DOCUMENTS

D324,771 S \* 3/1992 Dixsaut ..... D3/243  
D332,006 S \* 12/1992 Ross ..... D3/243

\* cited by examiner

*Primary Examiner* — Holly Baynham

(74) *Attorney, Agent, or Firm* — Donald J. Ranft; Collen IP

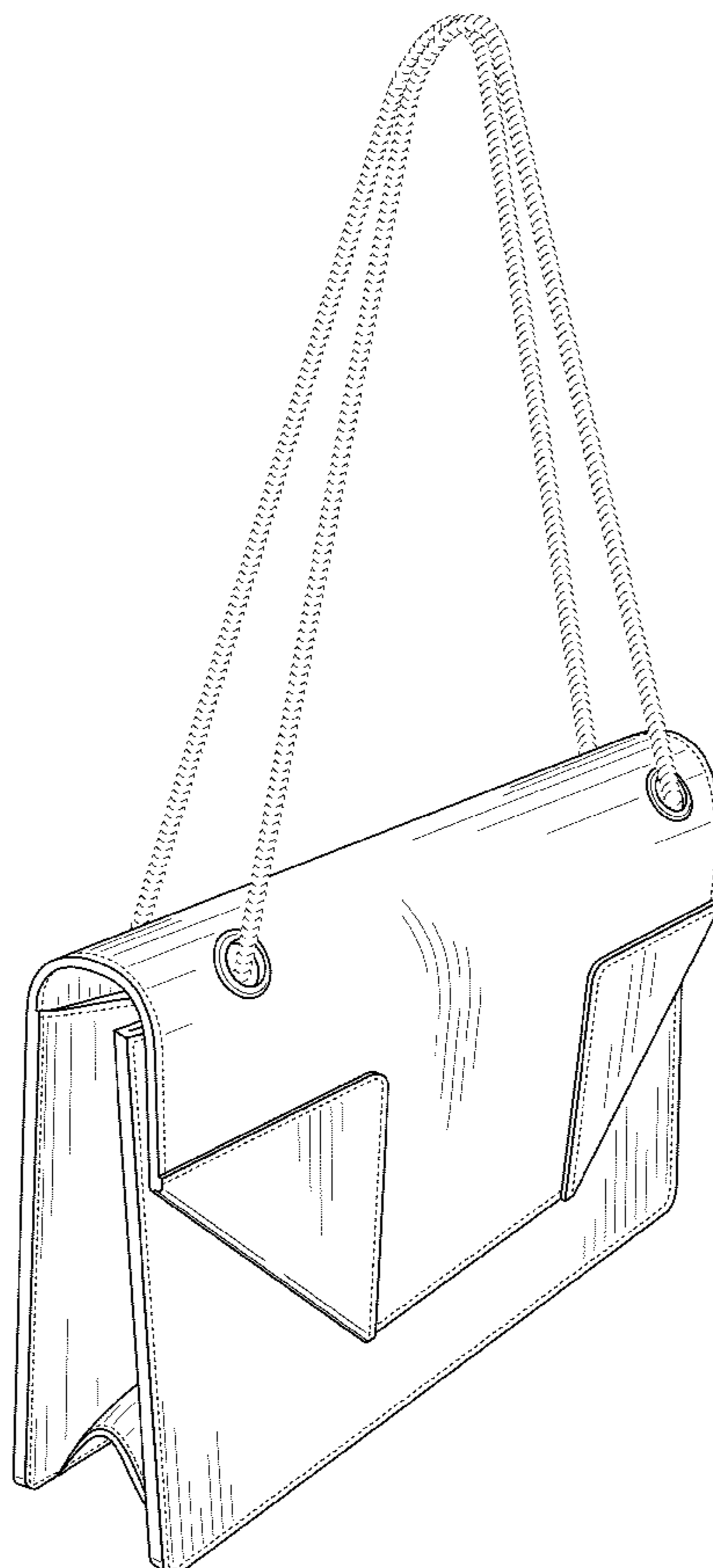
(57) **CLAIM**

The ornamental design for a handbag, as shown.

**DESCRIPTION**

FIG. 1 is a first embodiment of a front top left perspective view of a handbag showing my new design;  
FIG. 2 is a front view thereof;  
FIG. 3 is a rear view thereof;  
FIG. 4 is a right side view thereof;  
FIG. 5 is a left side view thereof;  
FIG. 6 is a top view thereof;  
FIG. 7 is a bottom view thereof; and  
FIG. 8 is a bottom front right perspective view thereof.  
FIG. 9 is a front top left perspective view of a second embodiment of a handbag showing my new design;  
FIG. 10 is a front view thereof;  
FIG. 11 is a rear view thereof;  
FIG. 12 is a right side view thereof;  
FIG. 13 is a left side view thereof;  
FIG. 14 is a top view thereof;  
FIG. 15 is a bottom view thereof; and  
FIG. 16 is a bottom front right perspective view thereof.

**1 Claim, 12 Drawing Sheets**



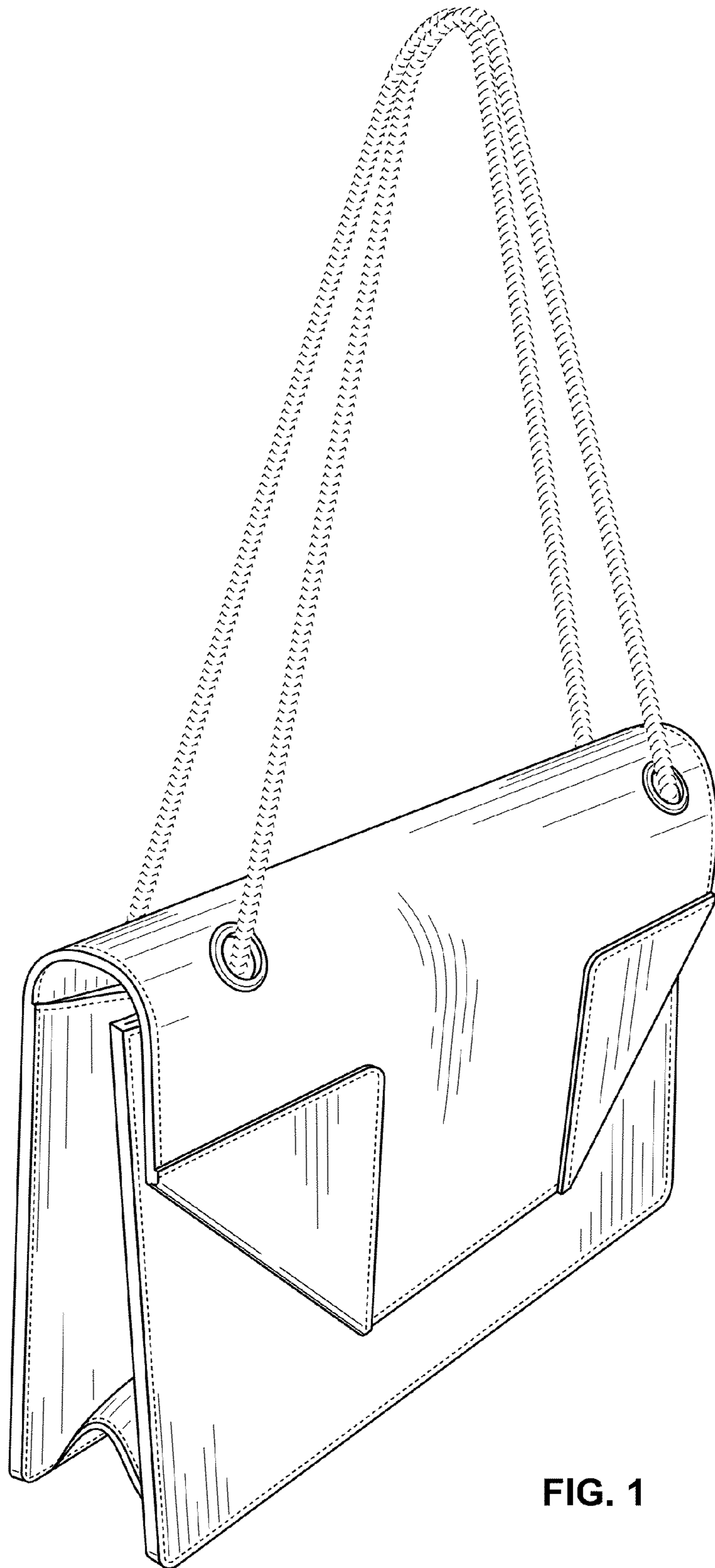


FIG. 1

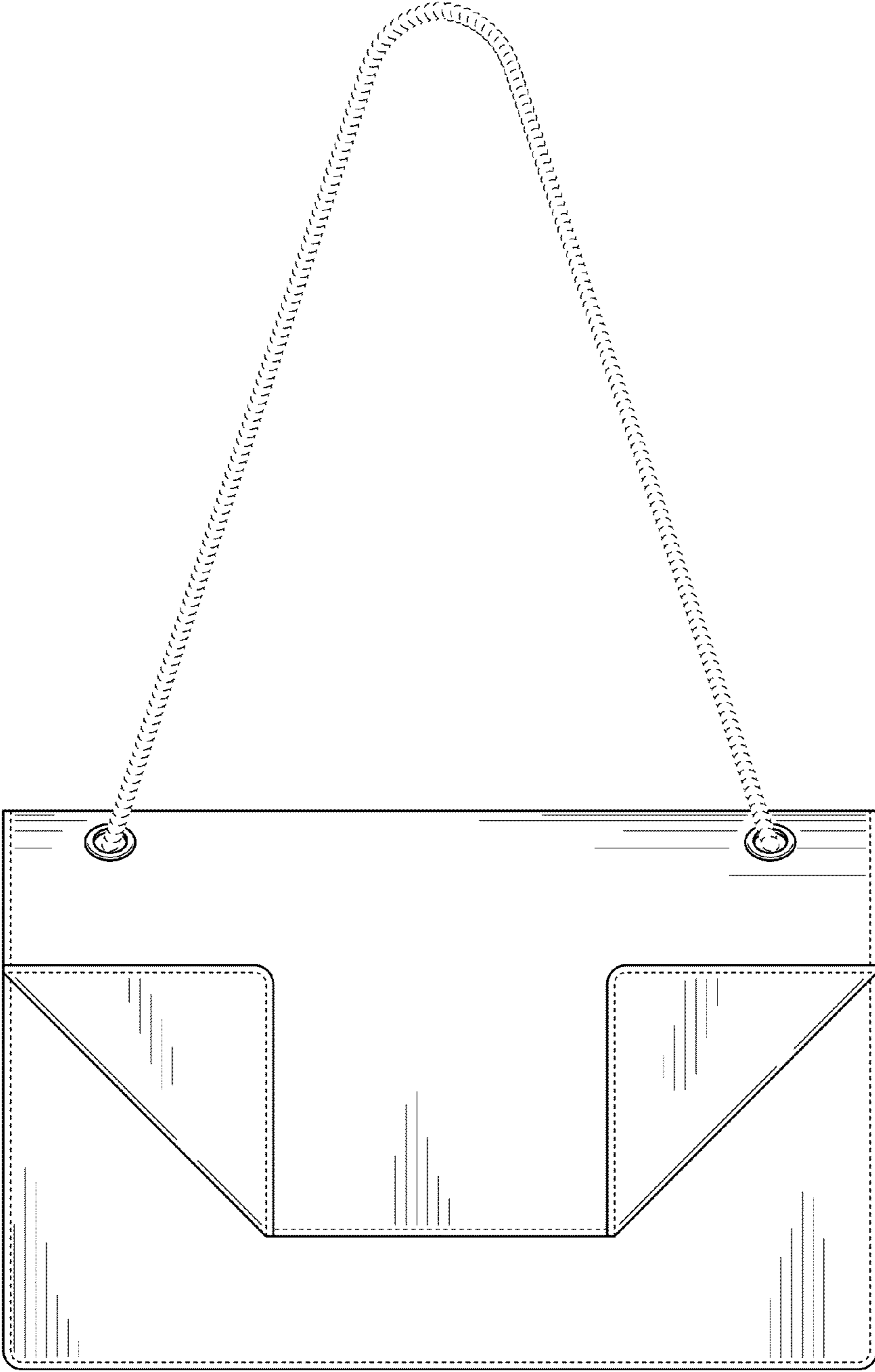


FIG. 2

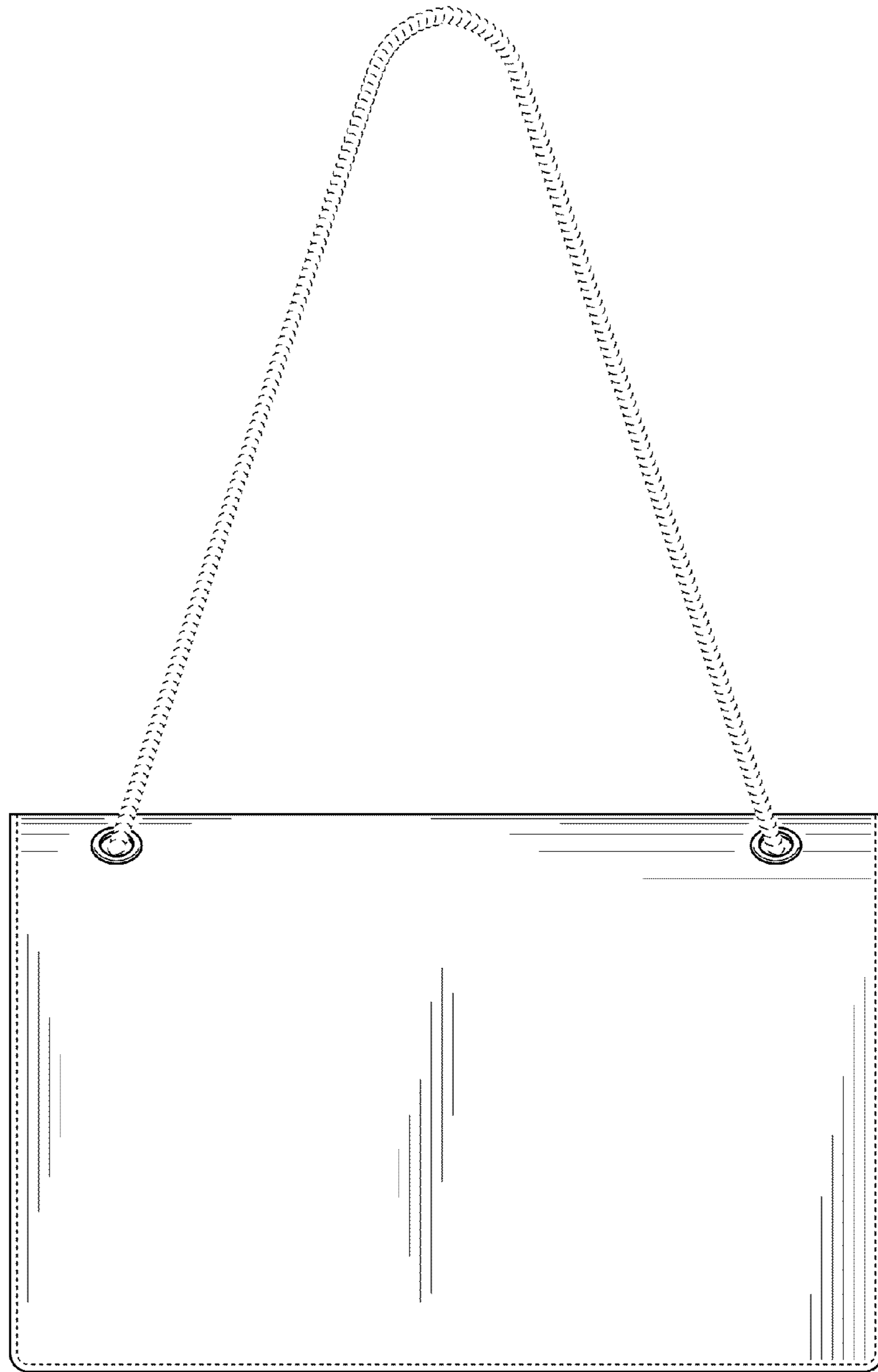


FIG. 3

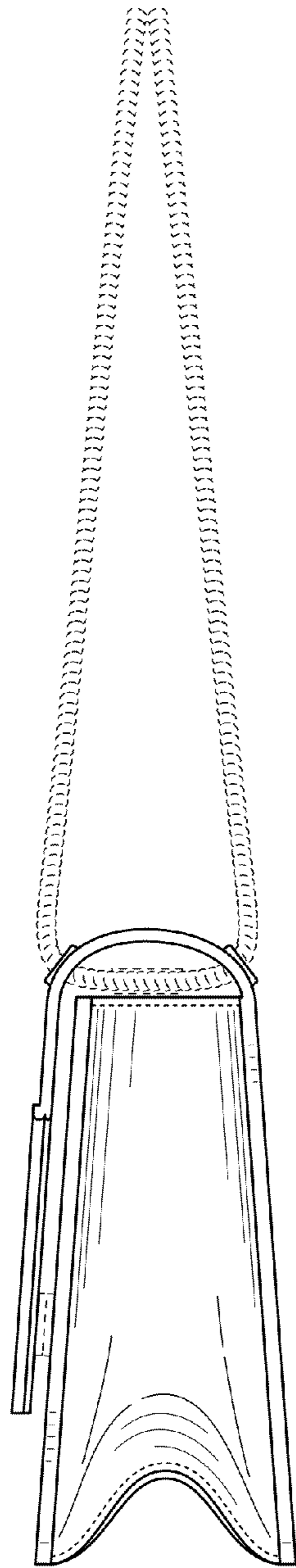


FIG. 4

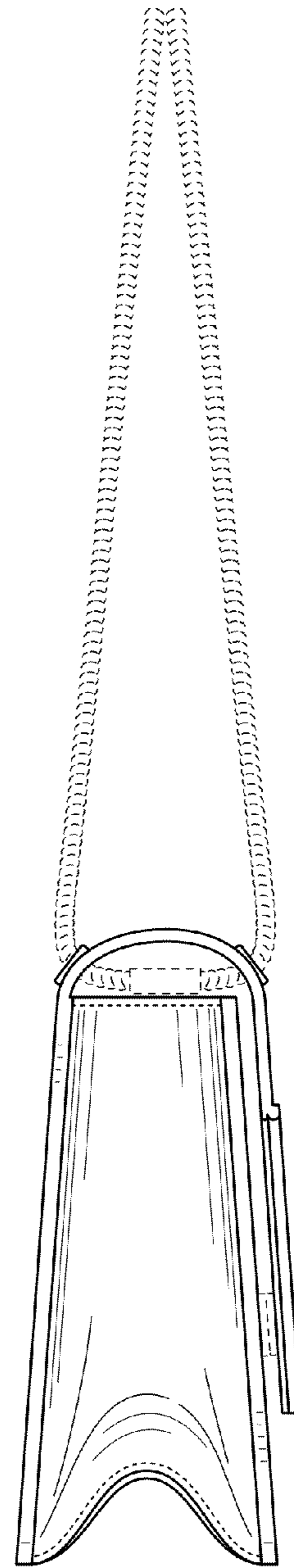


FIG. 5

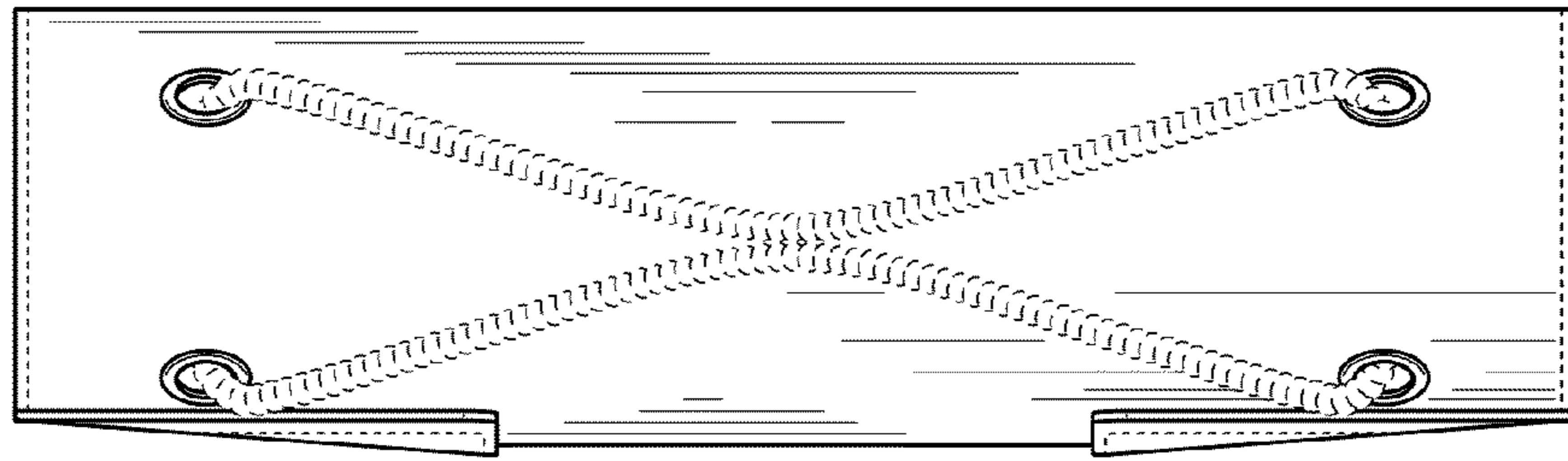


FIG. 6

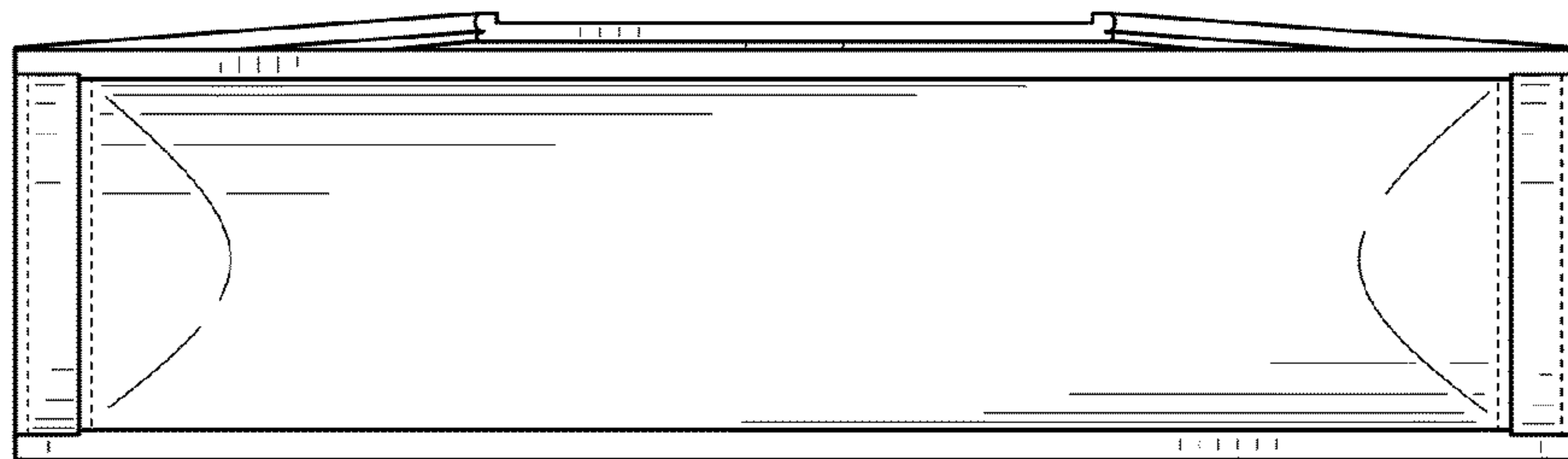


FIG. 7

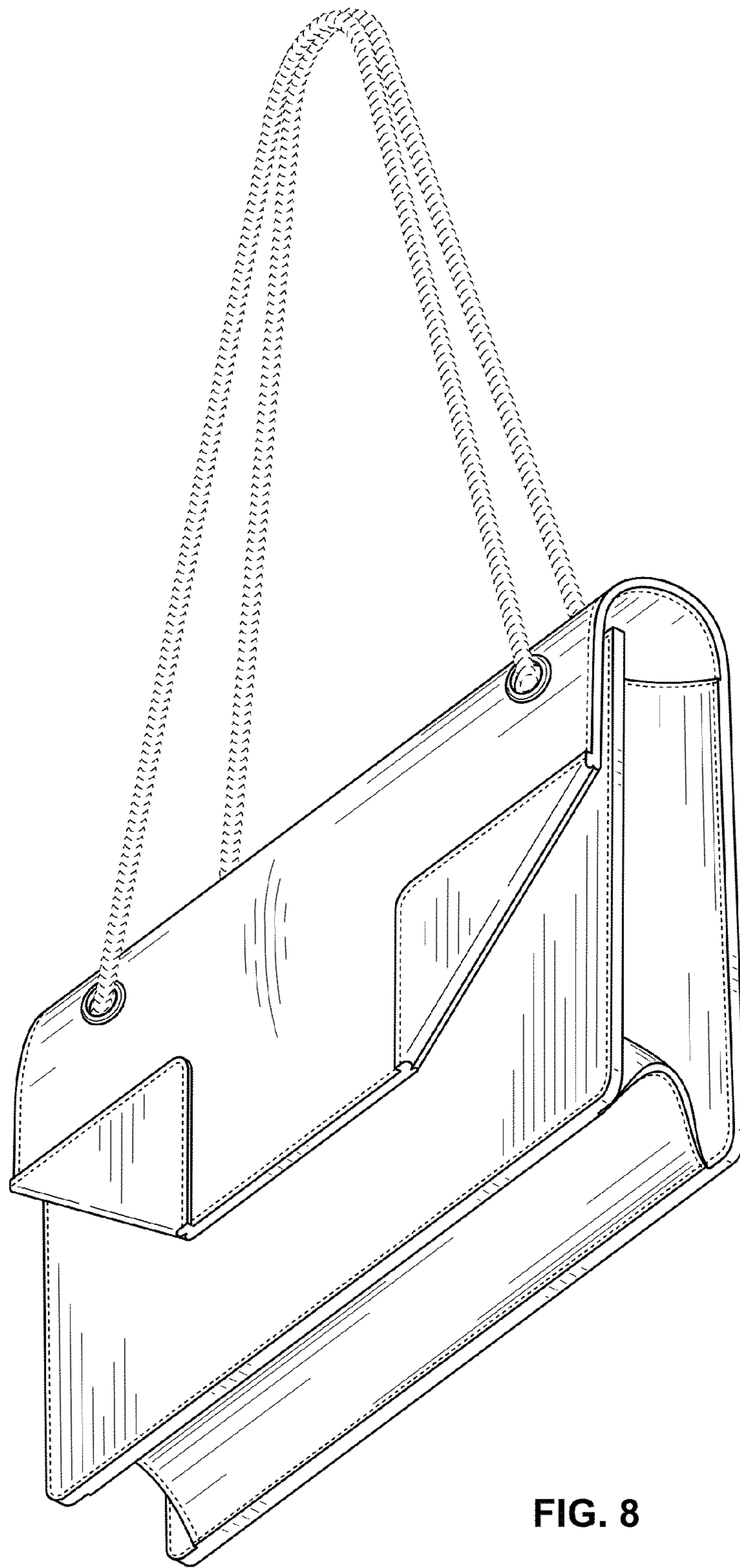


FIG. 8

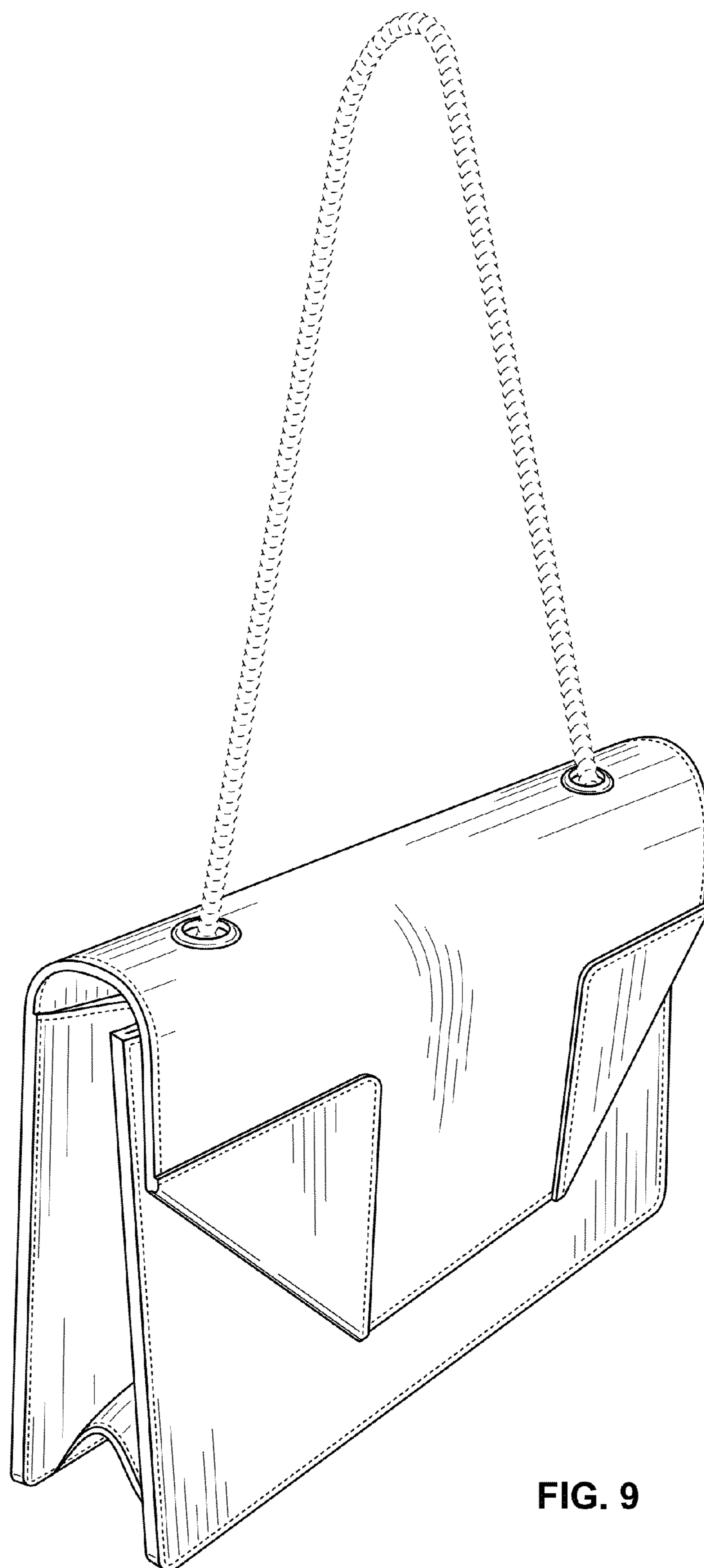


FIG. 9



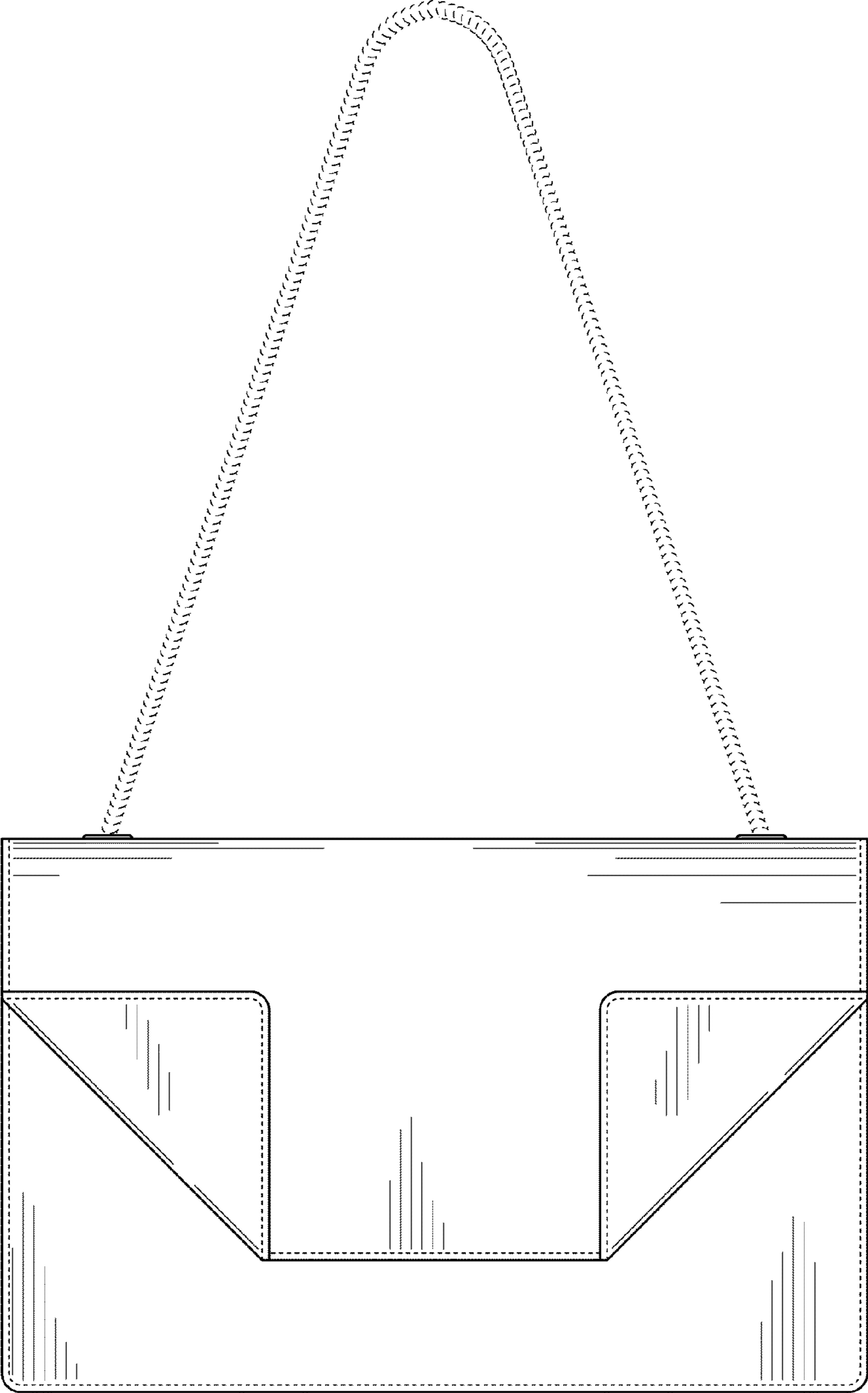


FIG. 10

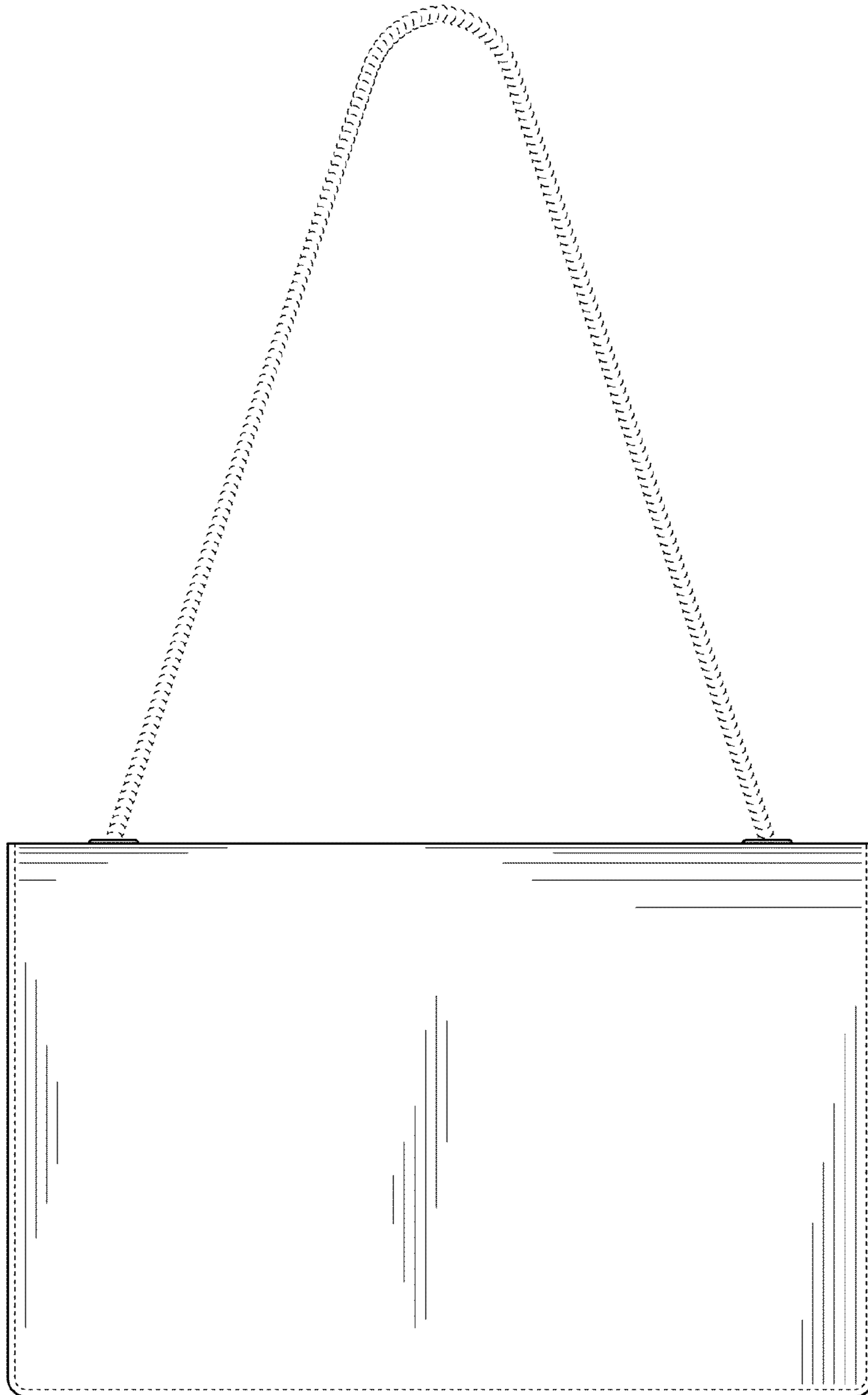


FIG. 11

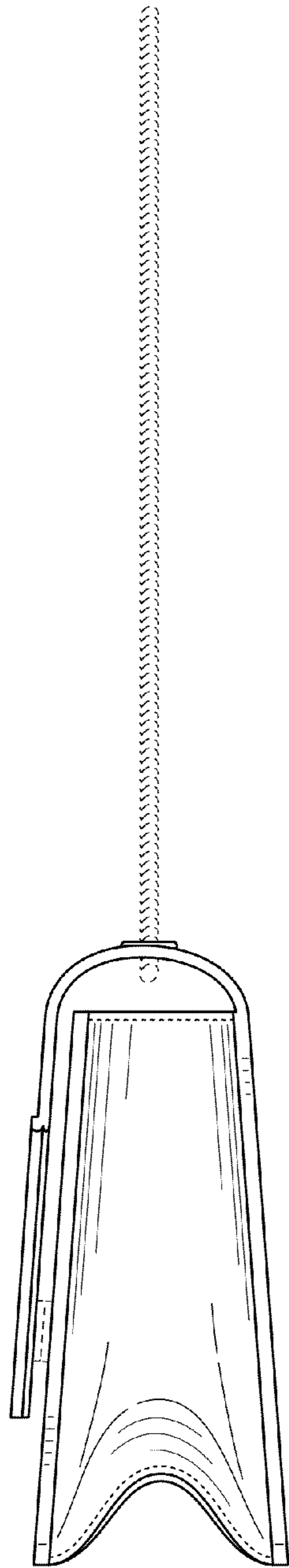


FIG. 12

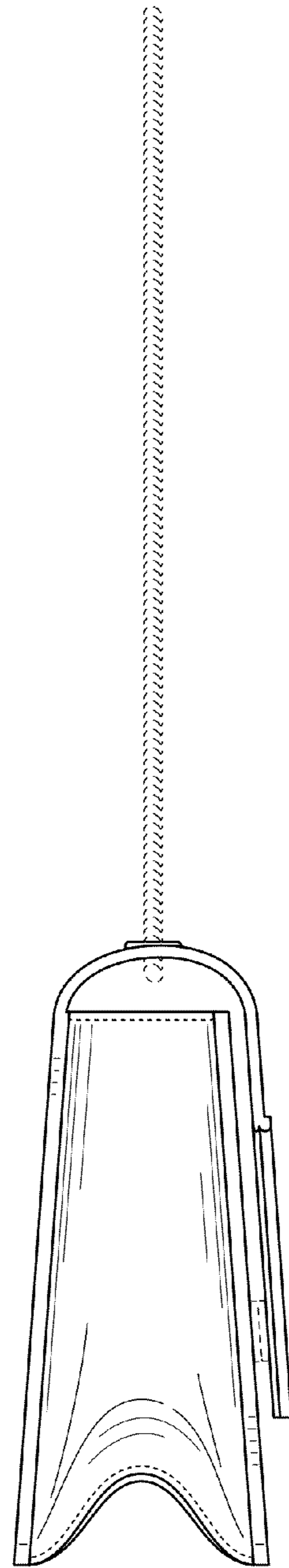


FIG. 13

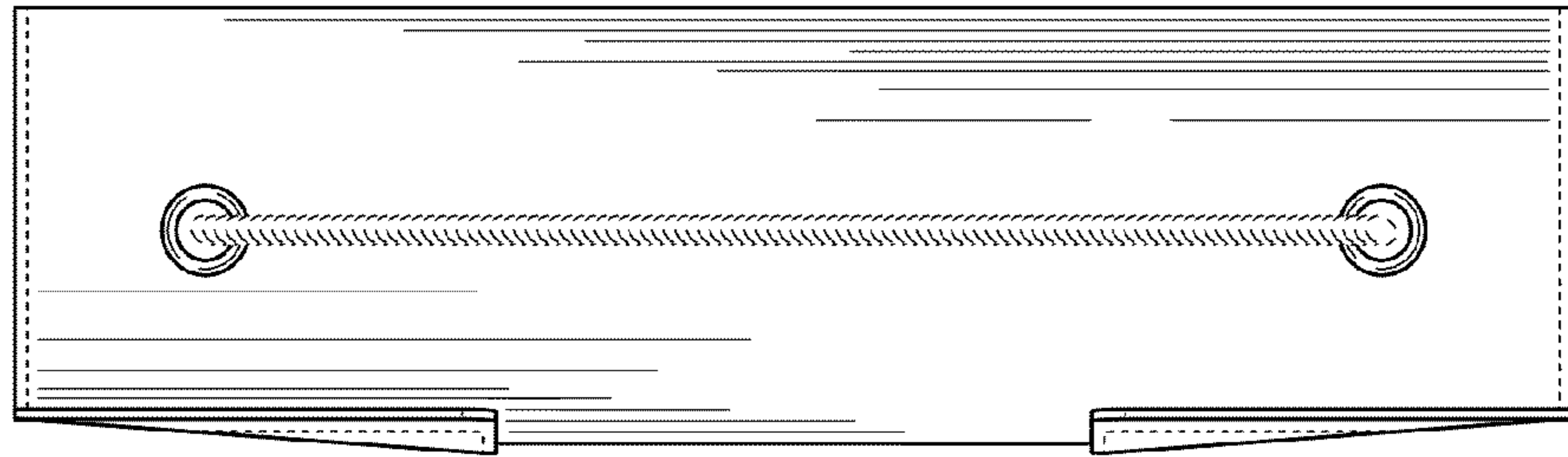


FIG. 14

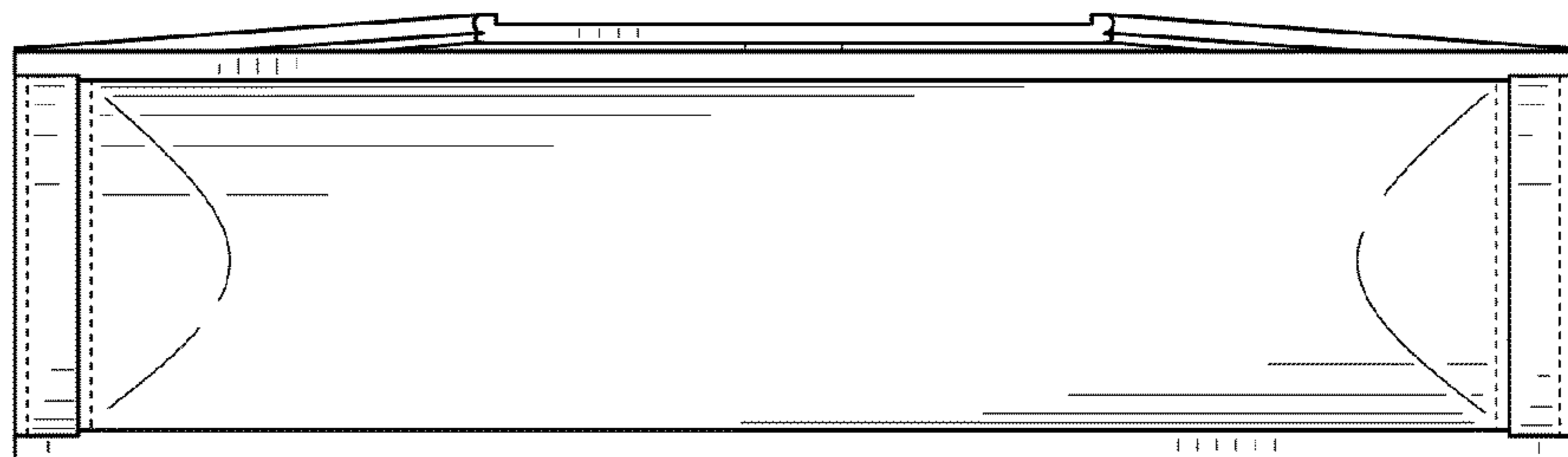


FIG. 15

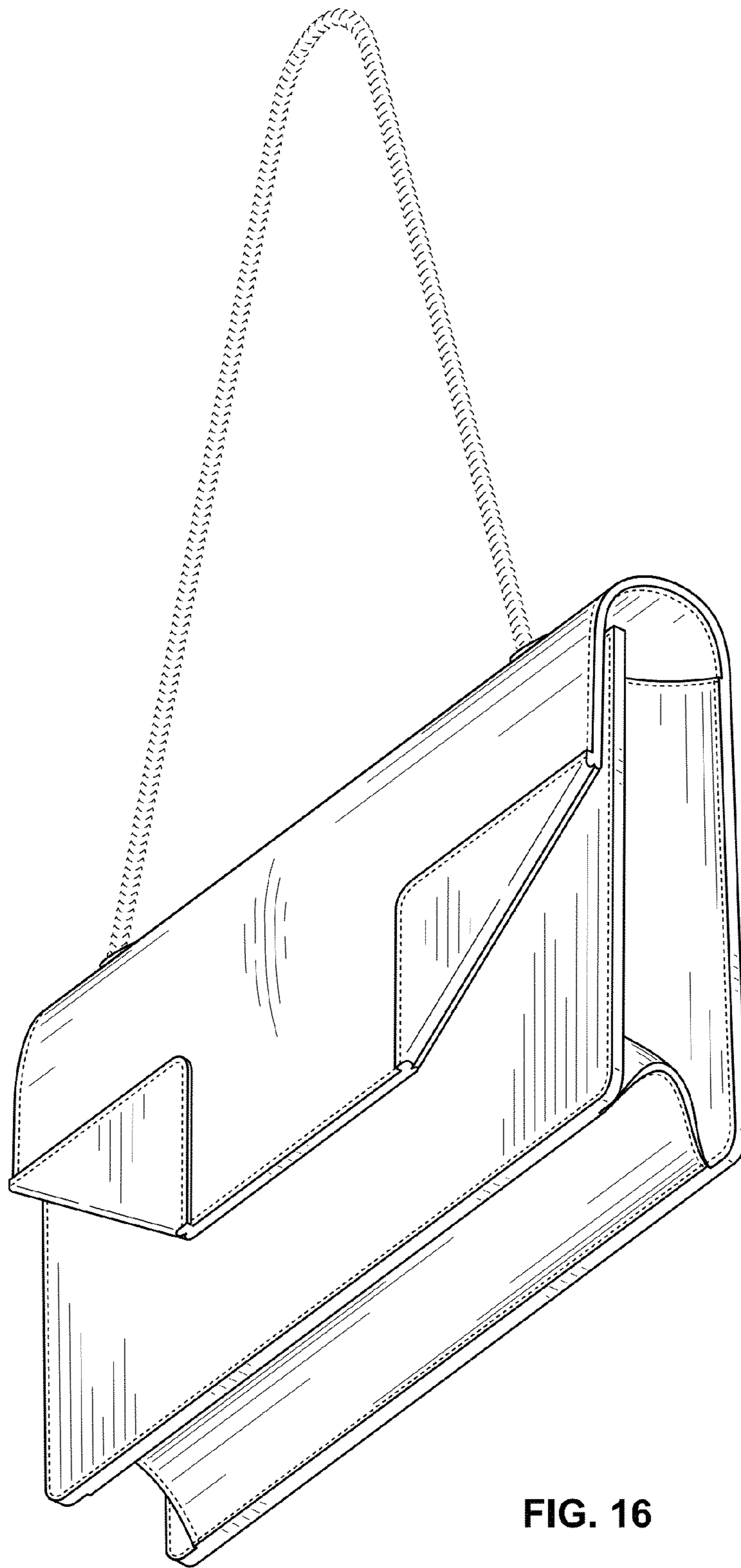


FIG. 16