



US00D698544S

(12) **United States Design Patent**
Carell et al.

(10) **Patent No.:** **US D698,544 S**
(45) **Date of Patent:** **** Feb. 4, 2014**

(54) **PANNIER**

(71) Applicants: **Anna Carell**, Bromma (SE); **Emelie Heden**, Stockholm (SE); **Oskar Juhlin**, Gustavsberg (SE); **Michael Noer**, Stillwater, MN (US)

(72) Inventors: **Anna Carell**, Bromma (SE); **Emelie Heden**, Stockholm (SE); **Oskar Juhlin**, Gustavsberg (SE); **Michael Noer**, Stillwater, MN (US)

(73) Assignee: **Thule IP AB**, Malmo (SE)

(**) Term: **14 Years**

(21) Appl. No.: **29/435,729**

(22) Filed: **Oct. 26, 2012**

(51) **LOC (10) Cl.** **03-01**

(52) **U.S. Cl.**
USPC **D3/231**

(58) **Field of Classification Search**
USPC D3/231; 224/219, 222, 236, 240, 250
See application file for complete search history.

(56) **References Cited**

U.S. PATENT DOCUMENTS

D366,447 S * 1/1996 Berman D12/409
D367,034 S * 2/1996 Berman D12/409

OTHER PUBLICATIONS

U.S. Appl. No. 29/447,449, filed Mar. 4, 2013, Noer et al.

* cited by examiner

Primary Examiner — Holly Baynham

(74) *Attorney, Agent, or Firm* — Sheridan Ross P.C.

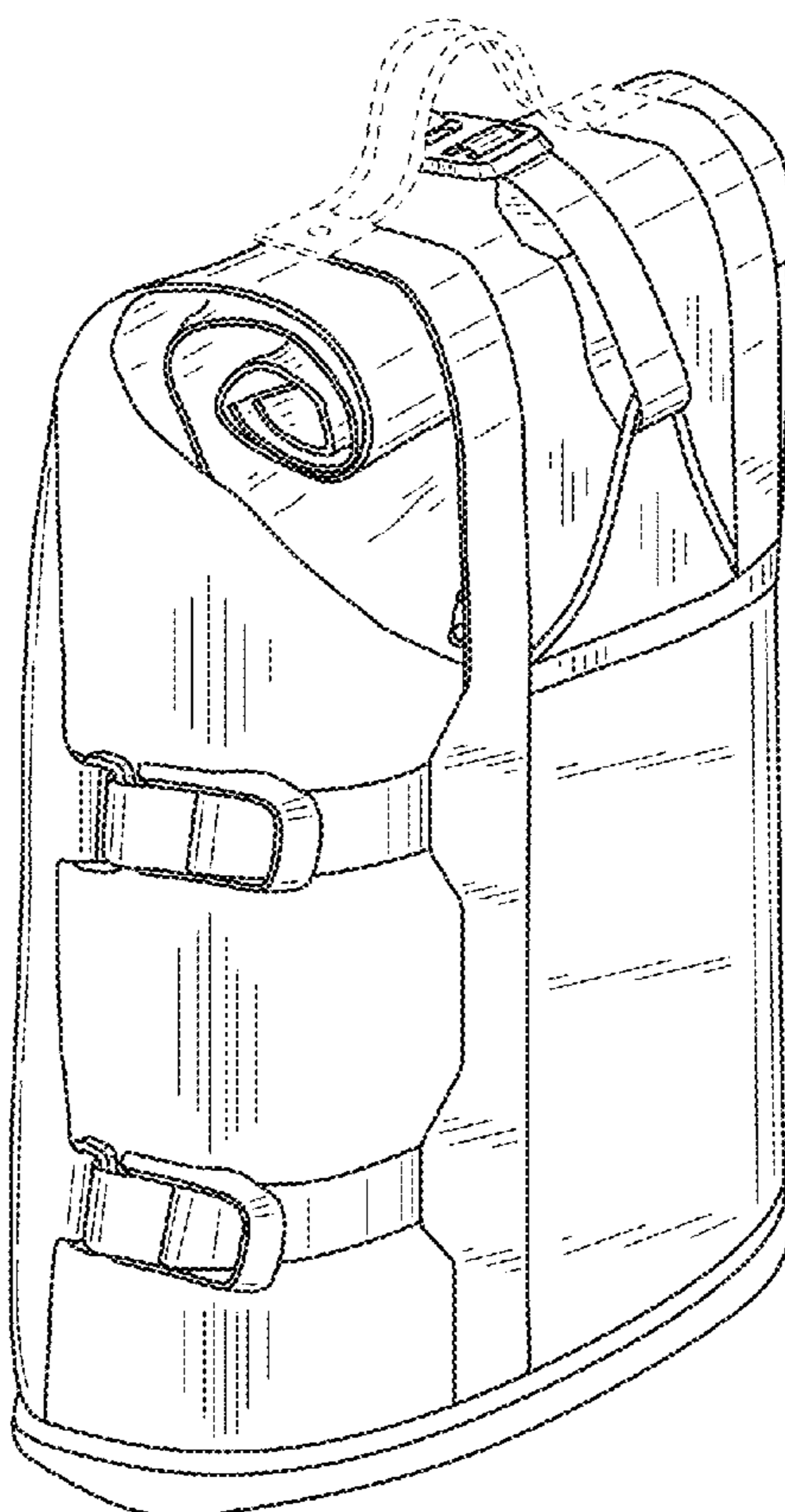
(57) **CLAIM**

The ornamental design for a pannier, as shown and described.

DESCRIPTION

FIG. 1 is a front perspective view of the pannier;
FIG. 2 is a top plan view thereof;
FIG. 3 is a front elevation view thereof;
FIG. 4 is a right elevation view thereof;
FIG. 5 is a left elevation view thereof;
FIG. 6 is a rear elevation view thereof; and,
FIG. 7 is a bottom plan view thereof.
The broken line showing of a pannier is included for the purpose of illustrating environment and forms no part of the claimed design.

1 Claim, 3 Drawing Sheets



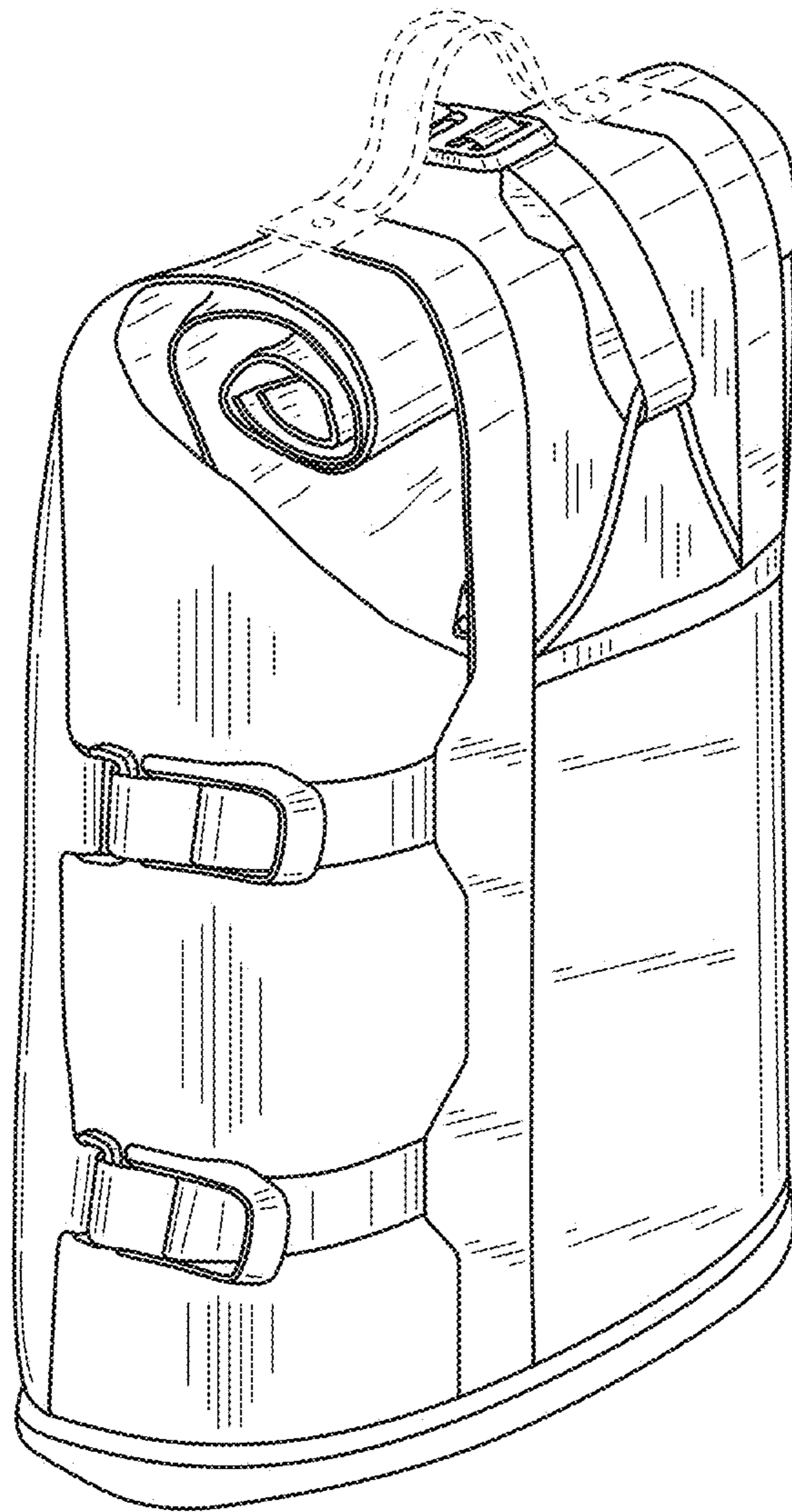


FIG.1

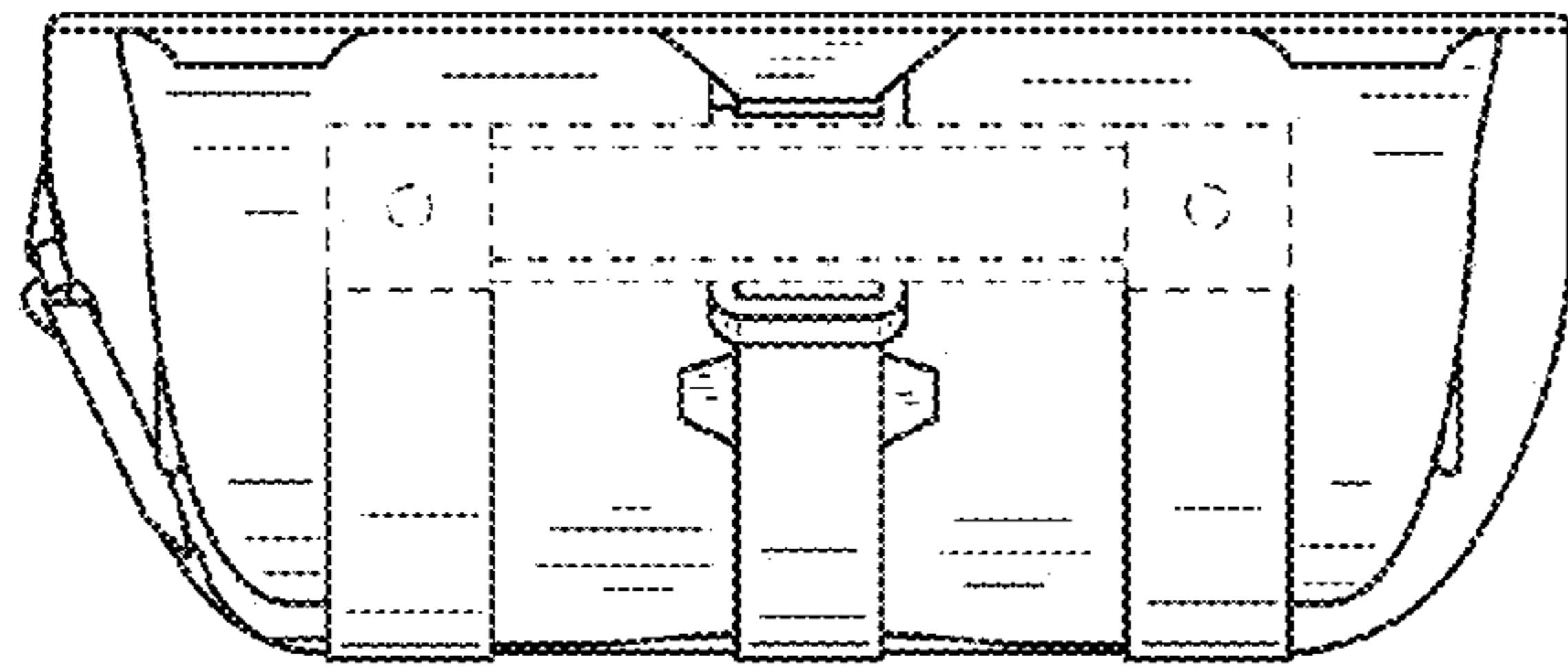


FIG. 2

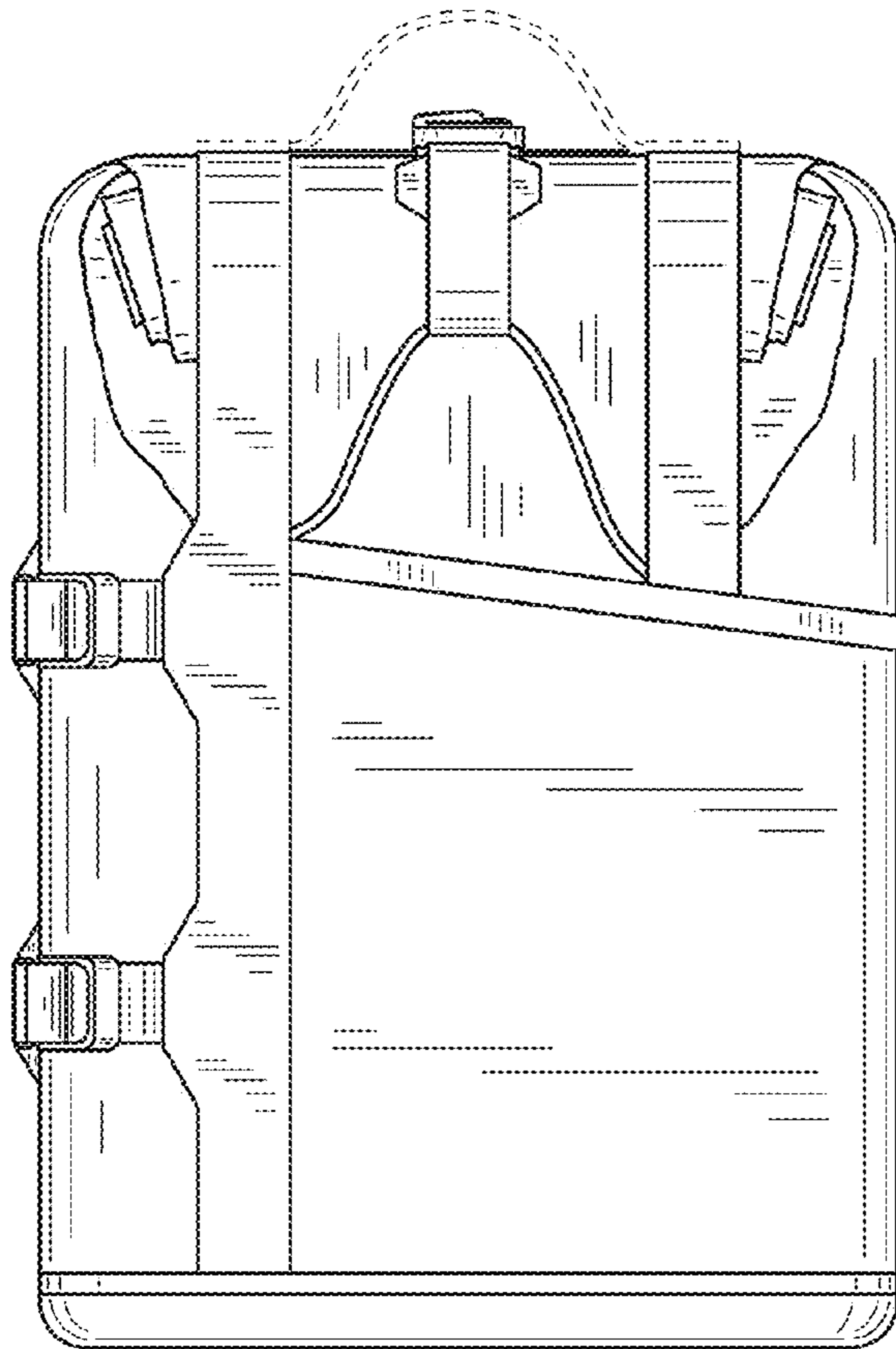


FIG. 3

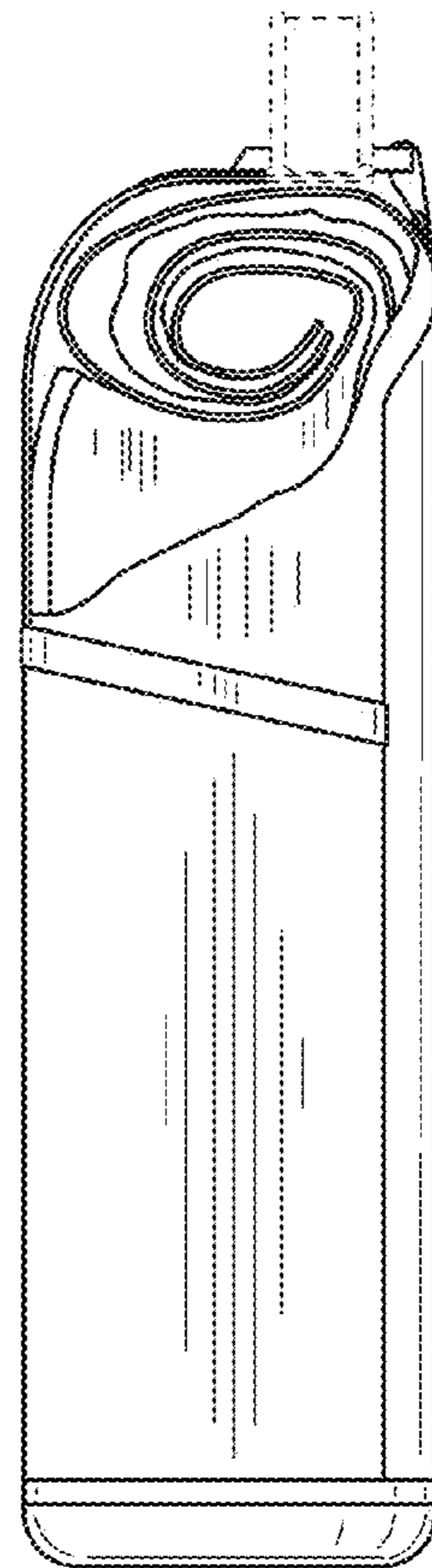


FIG. 4

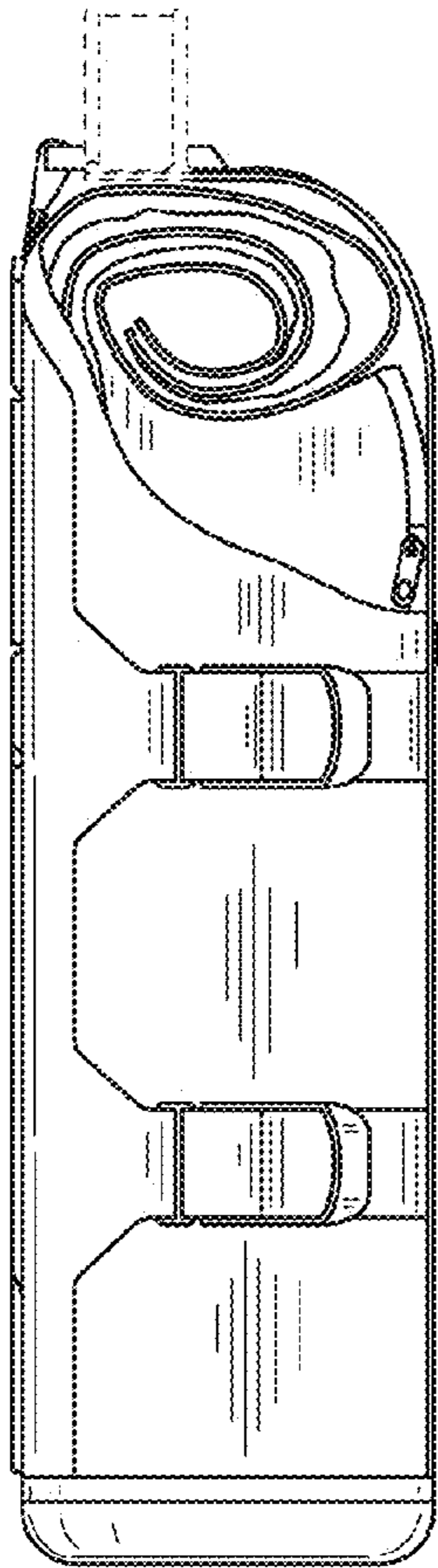


FIG. 5

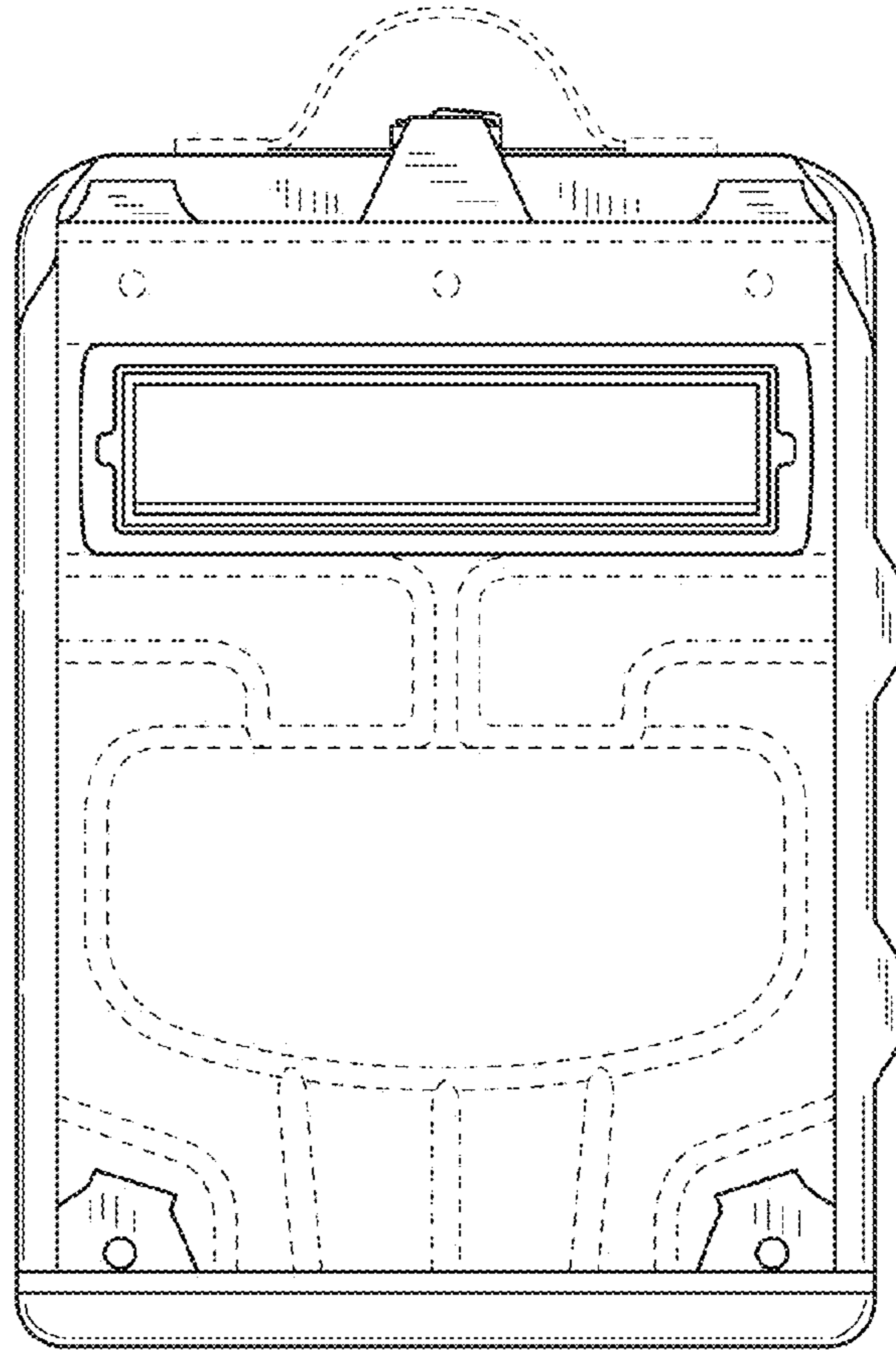


FIG. 6

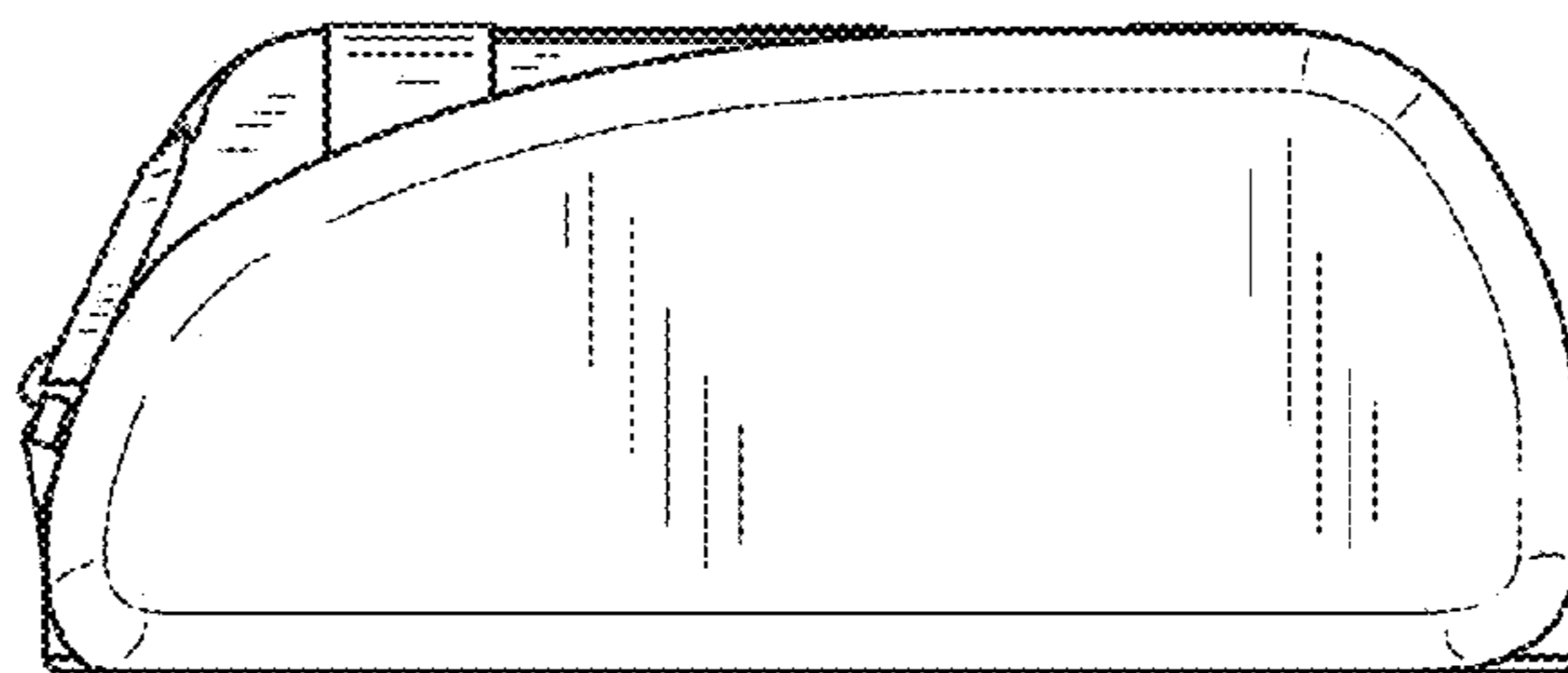


FIG. 7